



US00D893594S

(12) **United States Design Patent**
Sun

(10) **Patent No.:** **US D893,594 S**

(45) **Date of Patent:** **** Aug. 18, 2020**

- (54) **WIRELESS MOBILE PRINTER**
- (71) Applicant: **ZHUHAI QUYIN TECHNOLOGY CO., LTD.**, Zhuhai (CN)
- (72) Inventor: **Ruijuan Sun**, Zhuhai (CN)
- (73) Assignee: **ZHUHAI QUYIN TECHNOLOGY CO., LTD.**, Zhuhai (CN)

D616,365 S * 5/2010 Wang D13/119
 D643,039 S * 8/2011 Wilday D14/422
 D732,108 S 6/2015 Ryu et al.
 (Continued)

- (**) Term: **15 Years**
- (21) Appl. No.: **29/717,487**

FOREIGN PATENT DOCUMENTS

JP D1404810 * 1/2011

- (22) Filed: **Dec. 17, 2019**
- (51) **LOC (12) Cl.** **18-99**
- (52) **U.S. Cl.**
USPC **D18/19**
- (58) **Field of Classification Search**
USPC D18/14, 19, 50, 53, 54, 55, 56, 59, 36,
D18/37, 38, 39, 40, 41, 45; D19/65, 66,
D19/67, 68, 69, 70, 71; D14/301, 307,
D14/121
CPC H04N 1/00204; H04N 1/00249; H04N
1/00278; G06K 15/12; G06K 15/14; B41J
3/00; B41J 3/28; B41J 3/445; B41J 3/46;
B41J 3/36; B41J 3/382; G06F 3/12; G06F
3/1292
See application file for complete search history.

OTHER PUBLICATIONS

Amazon. Link: https://www.amazon.com/dp/B0819WV9RJ/ref=cm_sw_r_tw_dp_U_x_EicwEb4TPTEQG. Nov. 11, 2019. Netum High Speed Commercial Grade Direct Thermal Printer. (Year: 2019).*
 (Continued)

Primary Examiner — Lauren D McVey

(57) **CLAIM**

The ornamental design for a wireless mobile printer, as shown and described.

DESCRIPTION

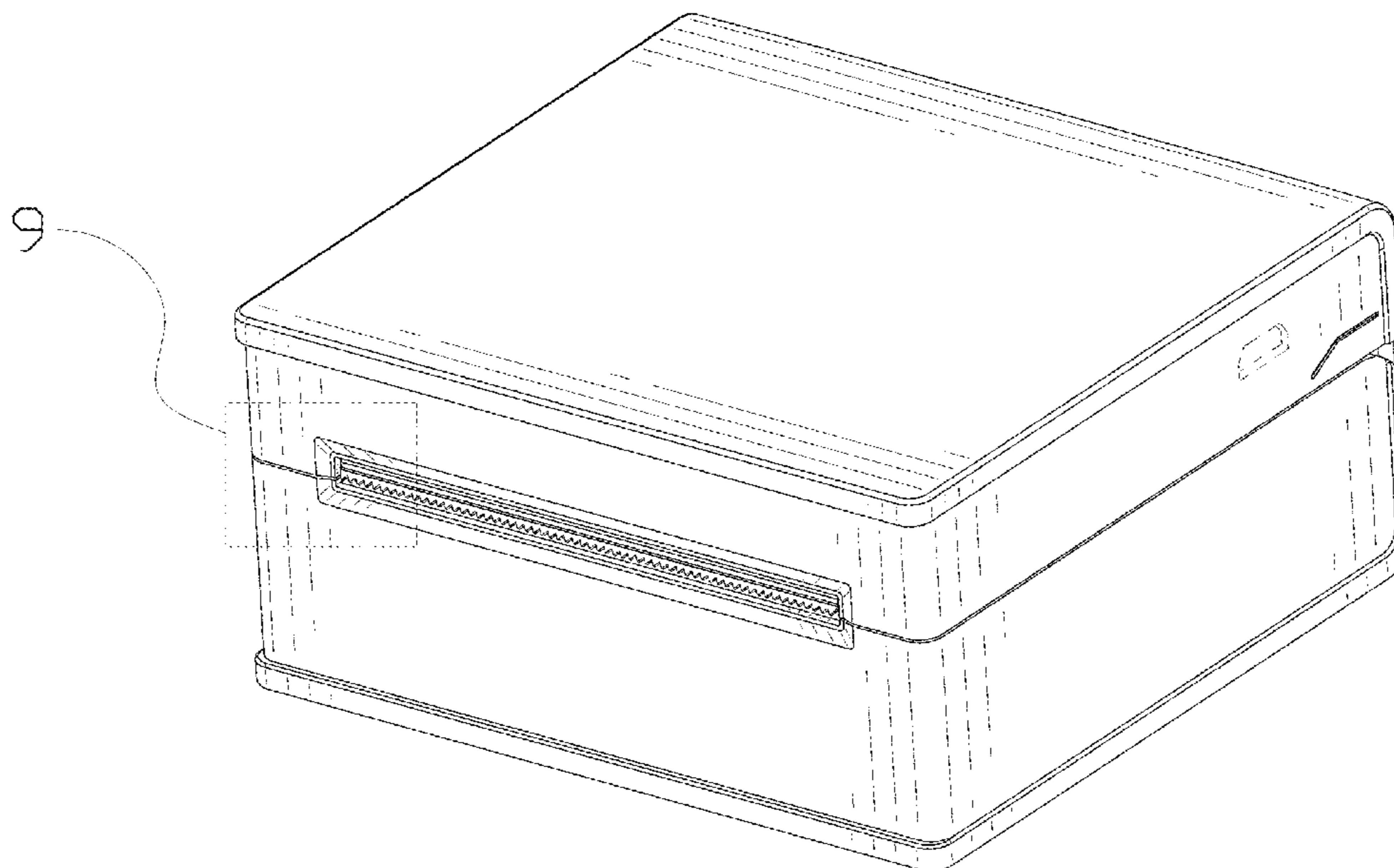
FIG. 1 is a perspective view of a wireless mobile printer showing my new design;
 FIG. 2 is another perspective view thereof;
 FIG. 3 is a front elevational view thereof;
 FIG. 4 is a rear elevational view thereof;
 FIG. 5 is a left side elevational view thereof;
 FIG. 6 is a right side elevational view thereof;
 FIG. 7 is a top plan view thereof;
 FIG. 8 is a bottom plan view thereof;
 FIG. 9 is an enlarged view of portion 9 shown in FIG. 1; and,
 FIG. 10 is an enlarged view of portion 10 shown in FIG. 2.
 The evenly spaced broken lines immediately adjacent to the claim depict the bounds of the claimed design, while all other broken lines are directed to environment. The dot-dash broken lines delineating portions of the claimed design in FIGS. 1 and 2 that are illustrated in enlargements in FIGS. 9 and 10 respectively, form no part of the claimed design.

(56) **References Cited**

U.S. PATENT DOCUMENTS

D519,549 S * 4/2006 Tanio D18/50
 D535,324 S * 1/2007 Park D18/50
 D544,907 S 6/2007 Tjin Wong Joe et al.
 D548,278 S * 8/2007 Wood D18/50
 D552,167 S * 10/2007 Lee D18/50
 D553,184 S * 10/2007 Lee D18/50
 D584,346 S * 1/2009 Sumi D18/50

1 Claim, 10 Drawing Sheets



(56)

References Cited

U.S. PATENT DOCUMENTS

D740,358 S 10/2015 Kang et al.
D781,955 S * 3/2017 Kim D18/50
D800,210 S * 10/2017 Kamei D18/14
D820,353 S * 6/2018 Choi D18/50
D865,049 S * 10/2019 Bidwell B41J 3/36
D18/19
2012/0012255 A1 * 1/2012 Kosuge B41J 3/4075
156/379

OTHER PUBLICATIONS

Amazon. Link: https://www.amazon.com/dp/B07XXB2MXN/ref=cm_sw_r_tw_dp_U_x_BgcwEbE3JTZM5. Jan. 10, 2020. Phomemo-M110 Label Maker—Portable Bluetooth Thermal Label Printer. (Year: 2020).*

* cited by examiner

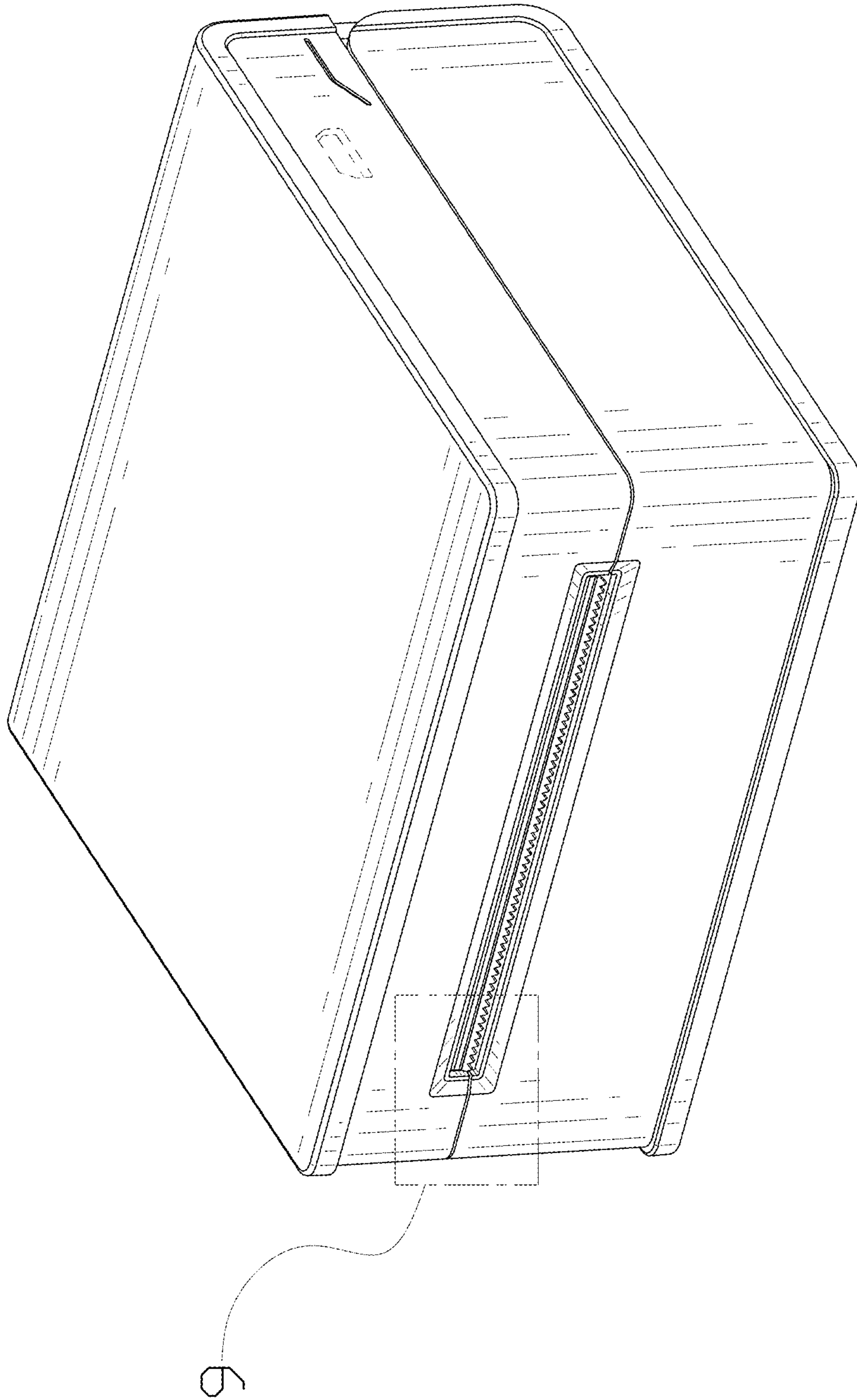


FIG. 1

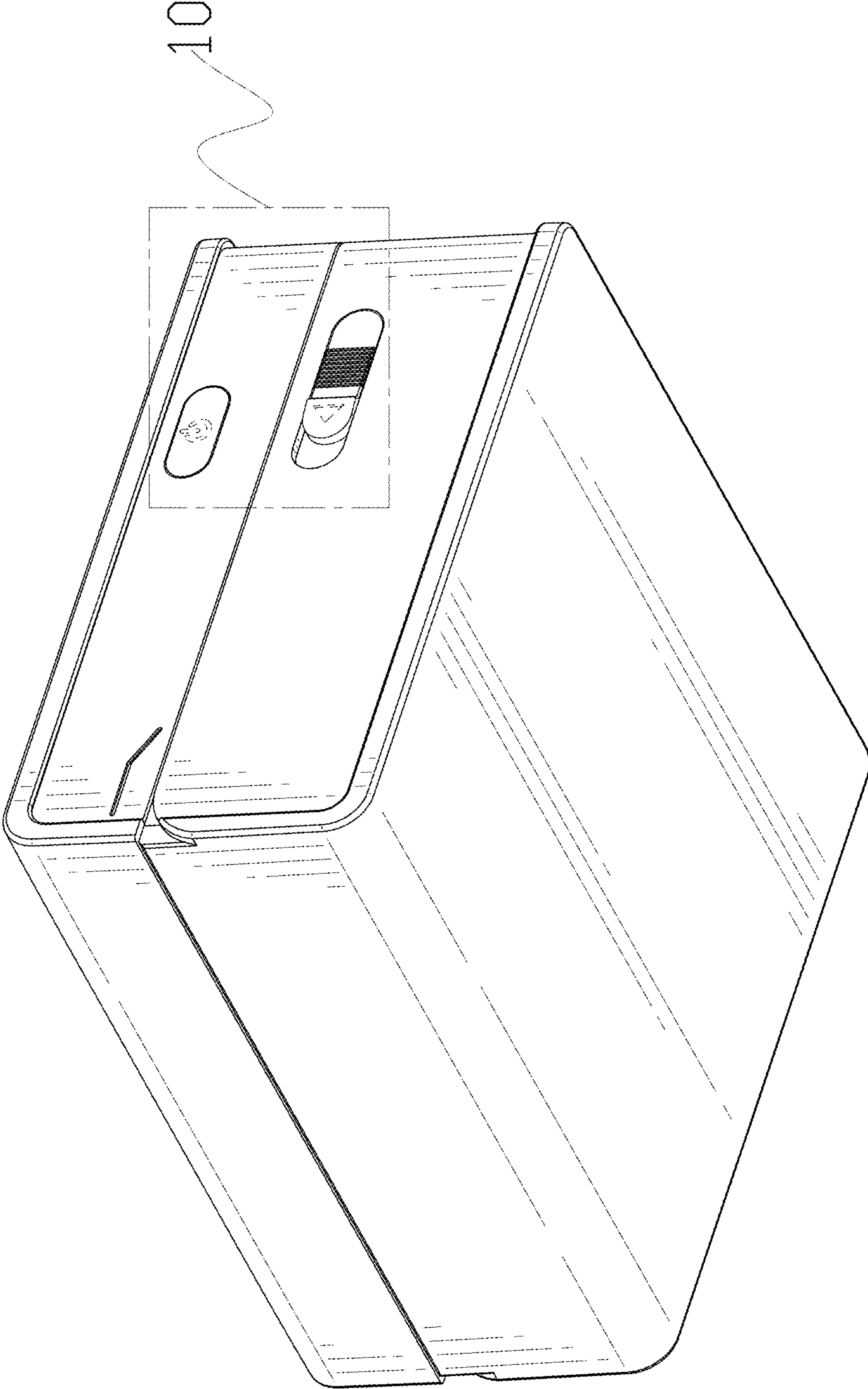


FIG. 2

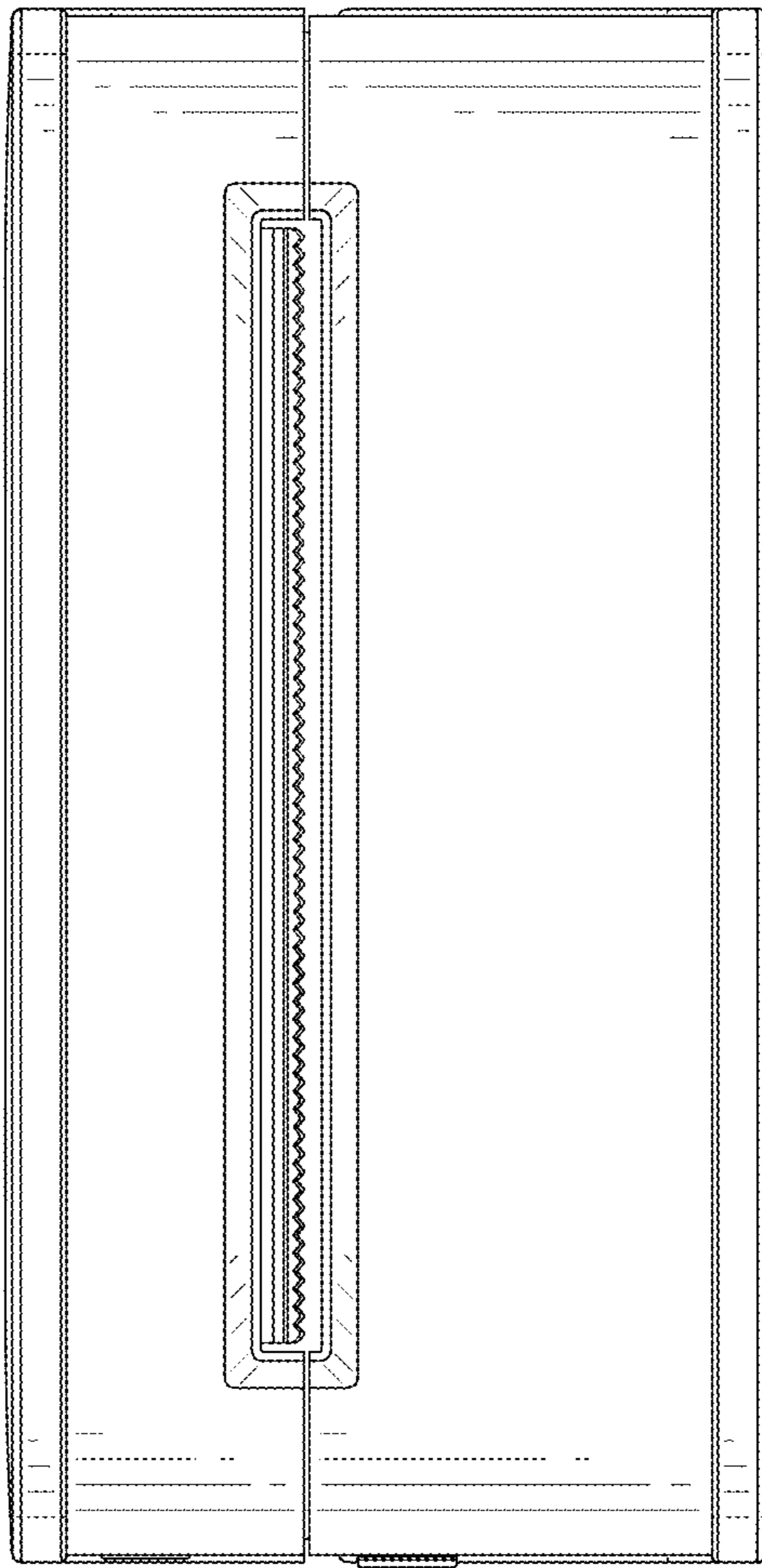


FIG. 3

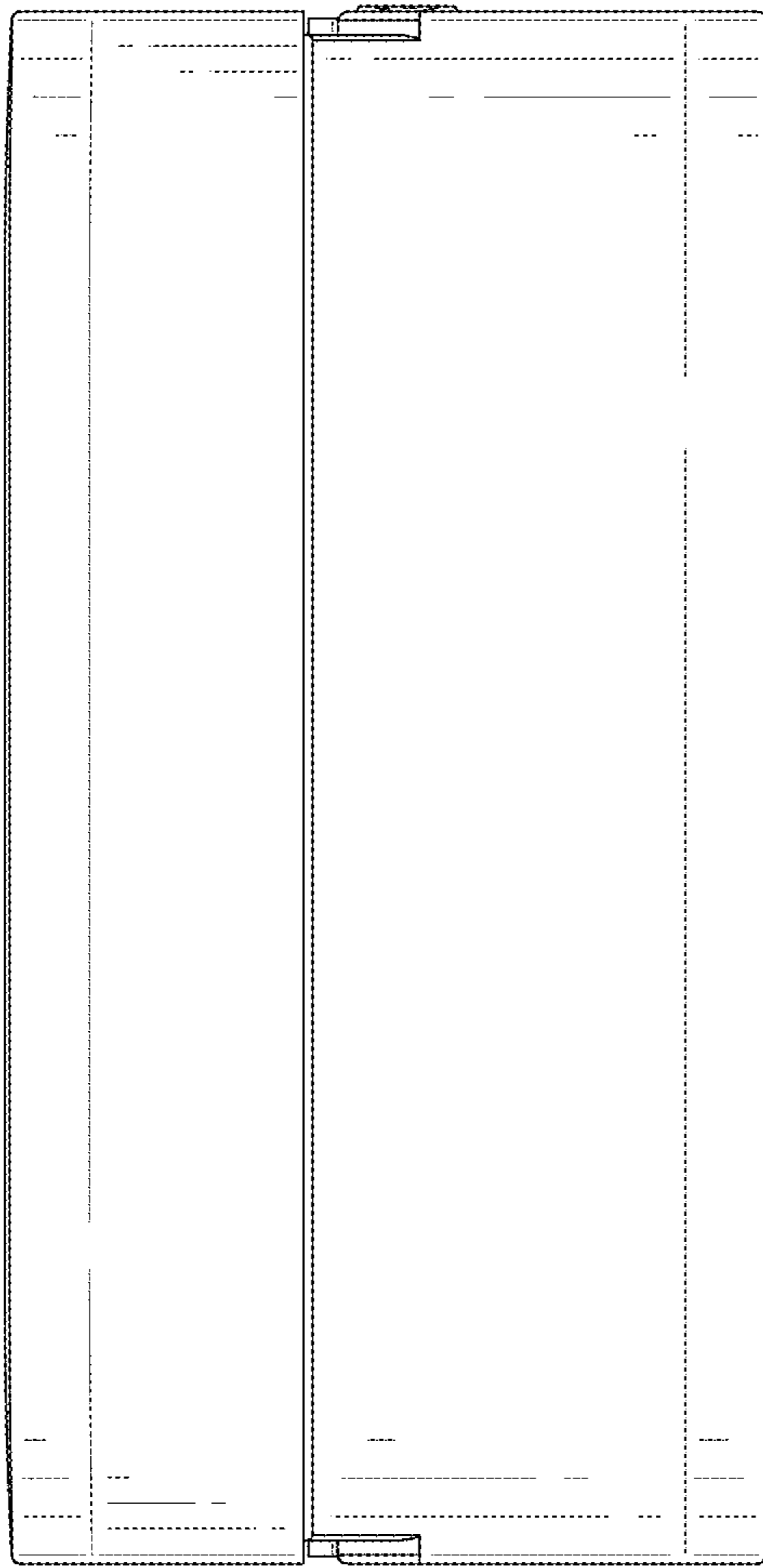


FIG. 4

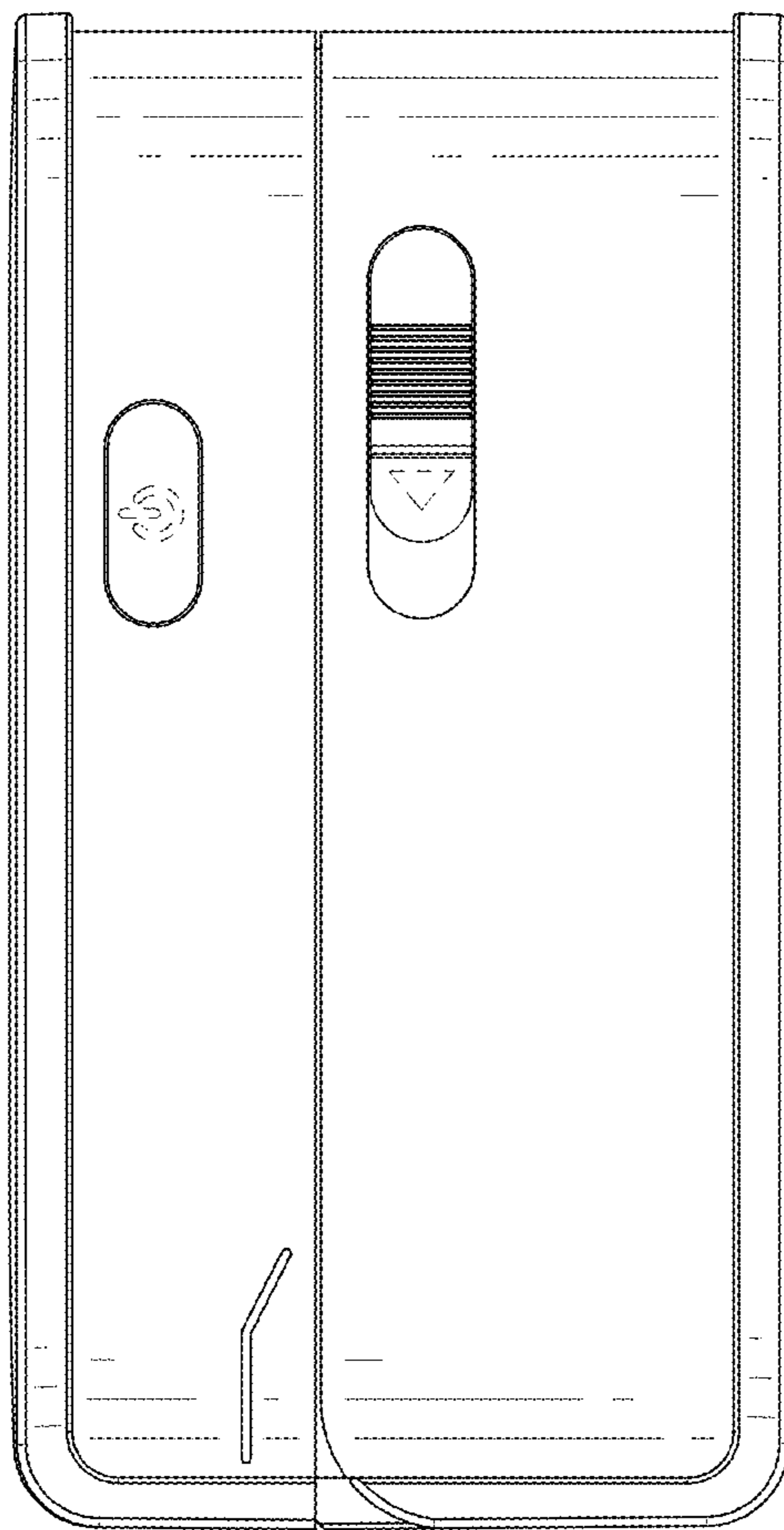


FIG. 5

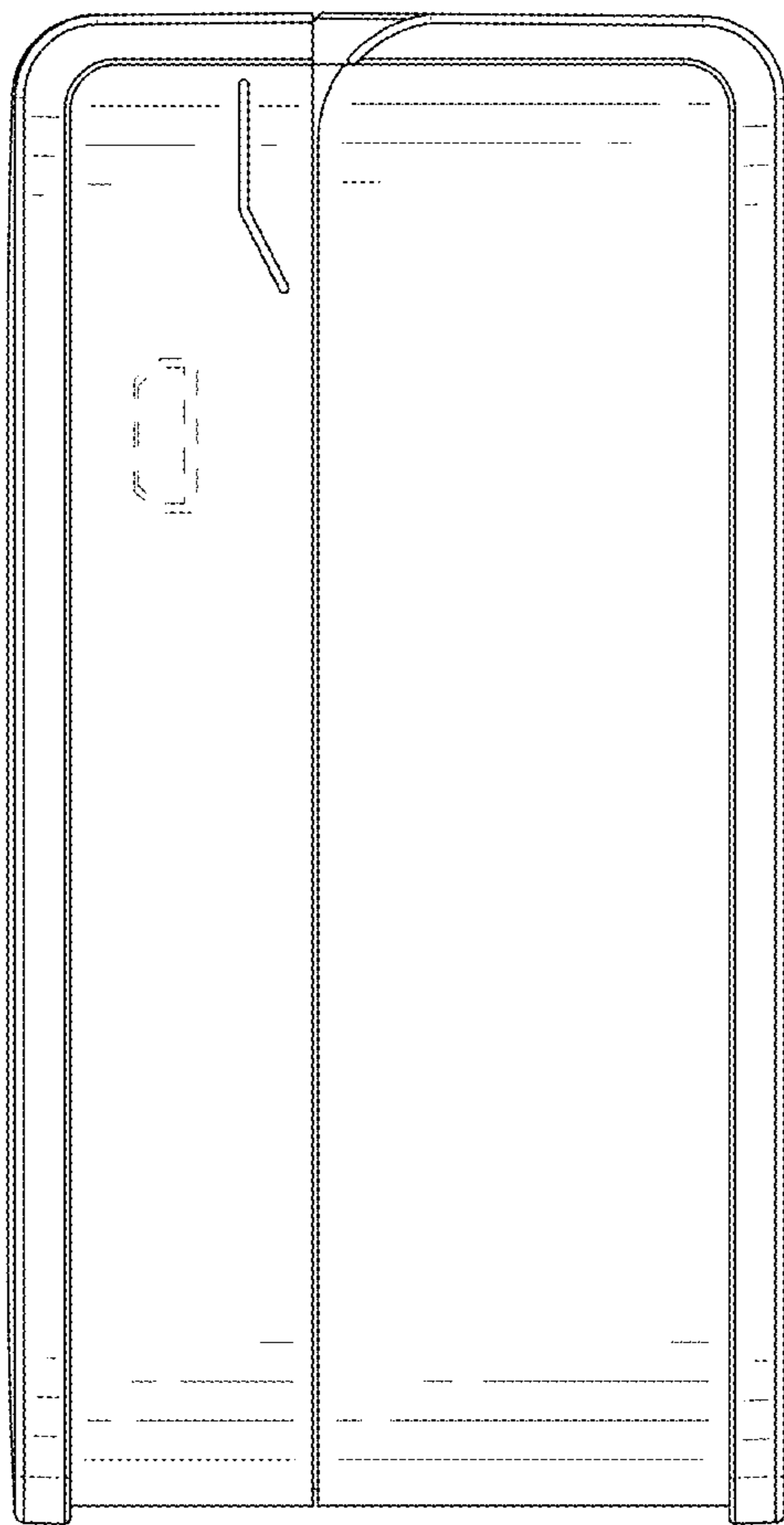


FIG. 6

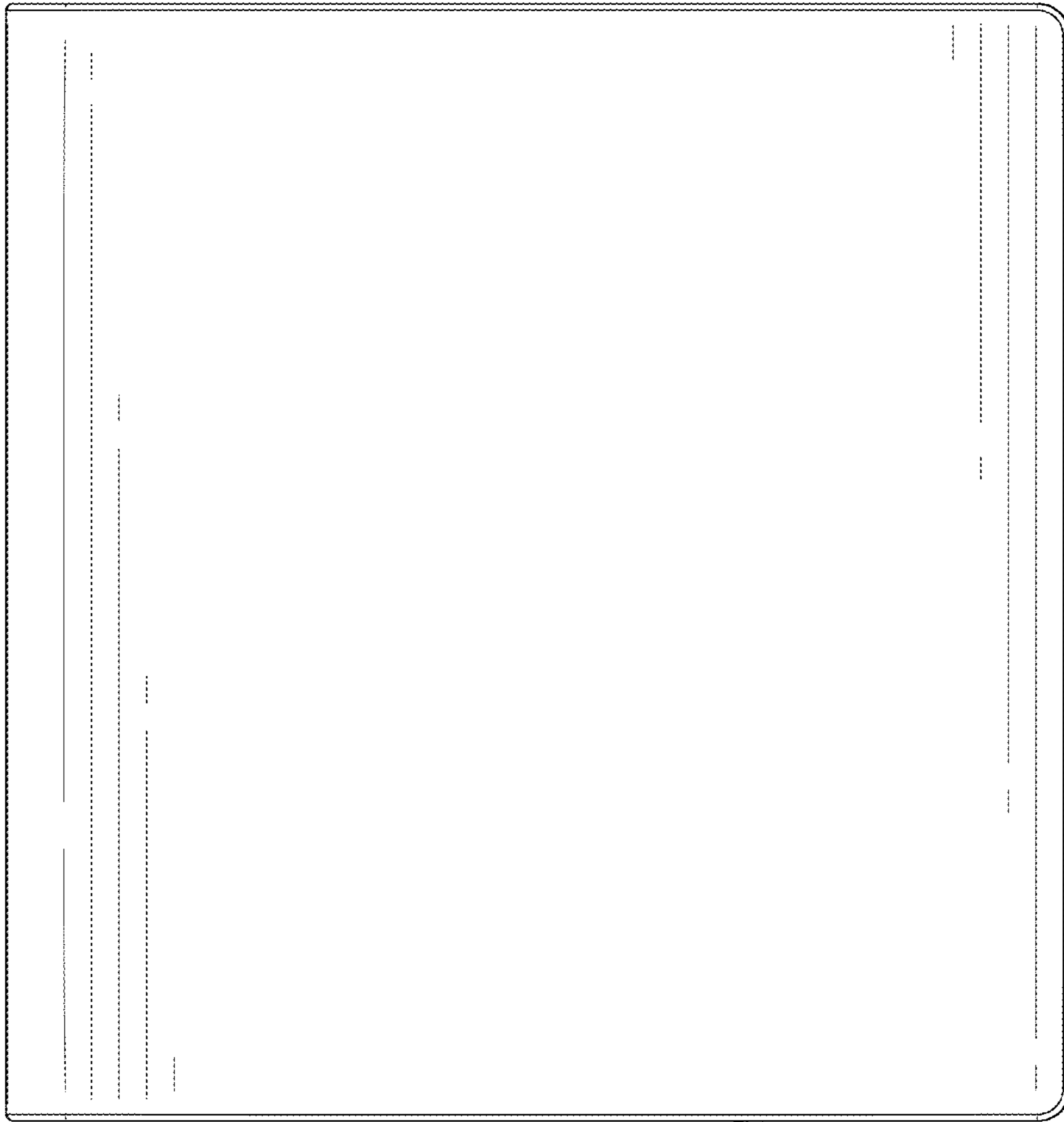


FIG. 7

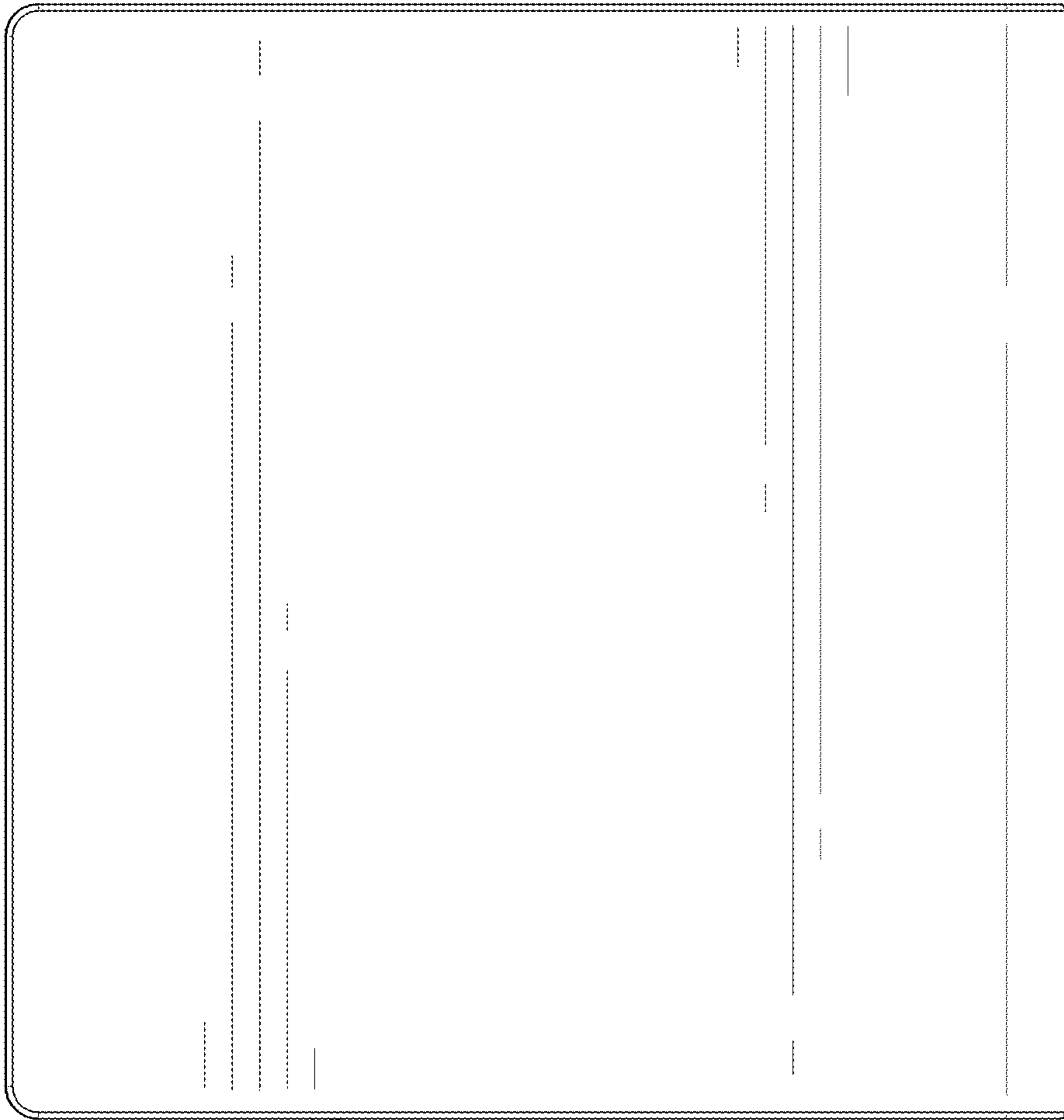


FIG. 8

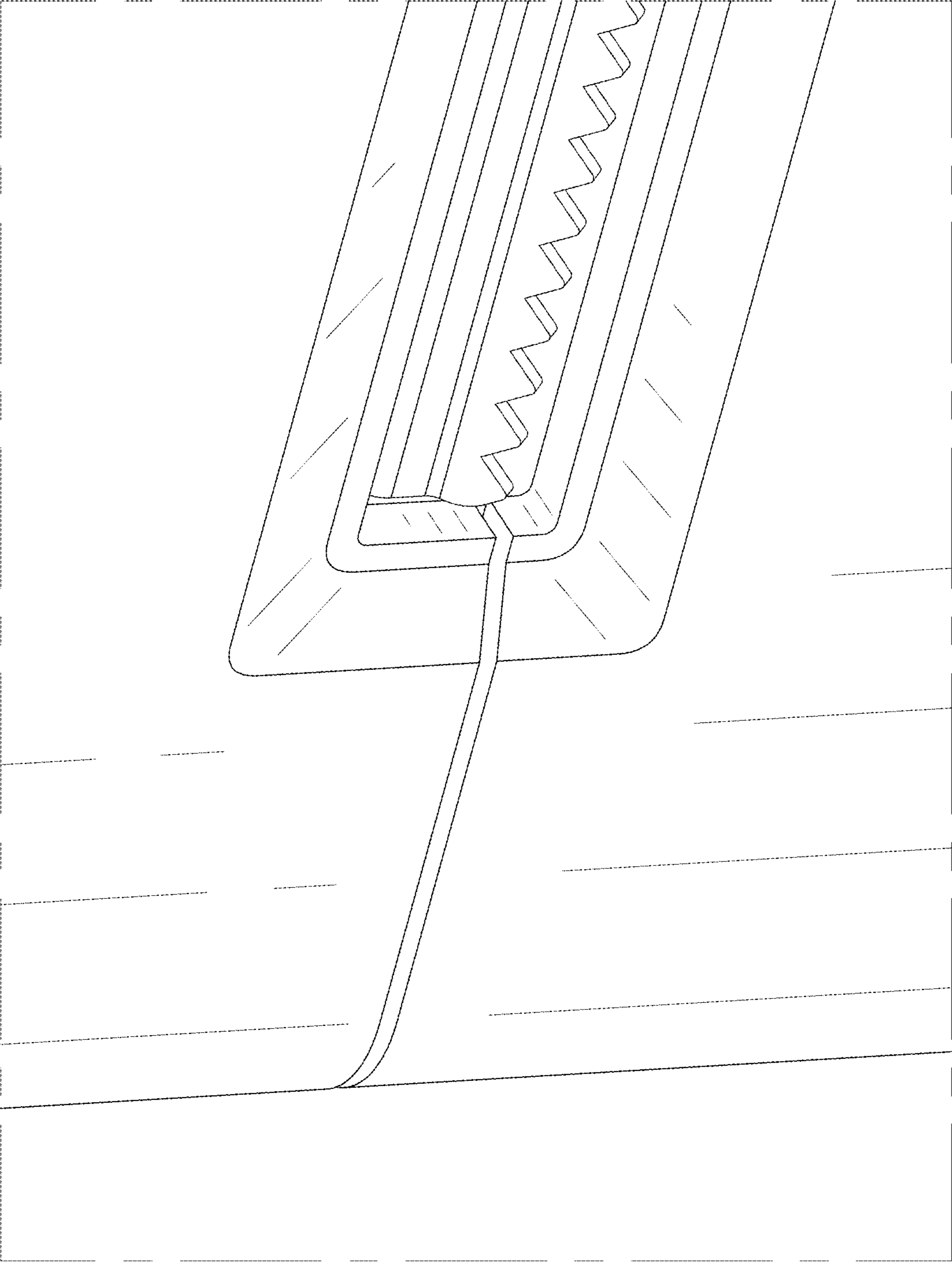


FIG. 9

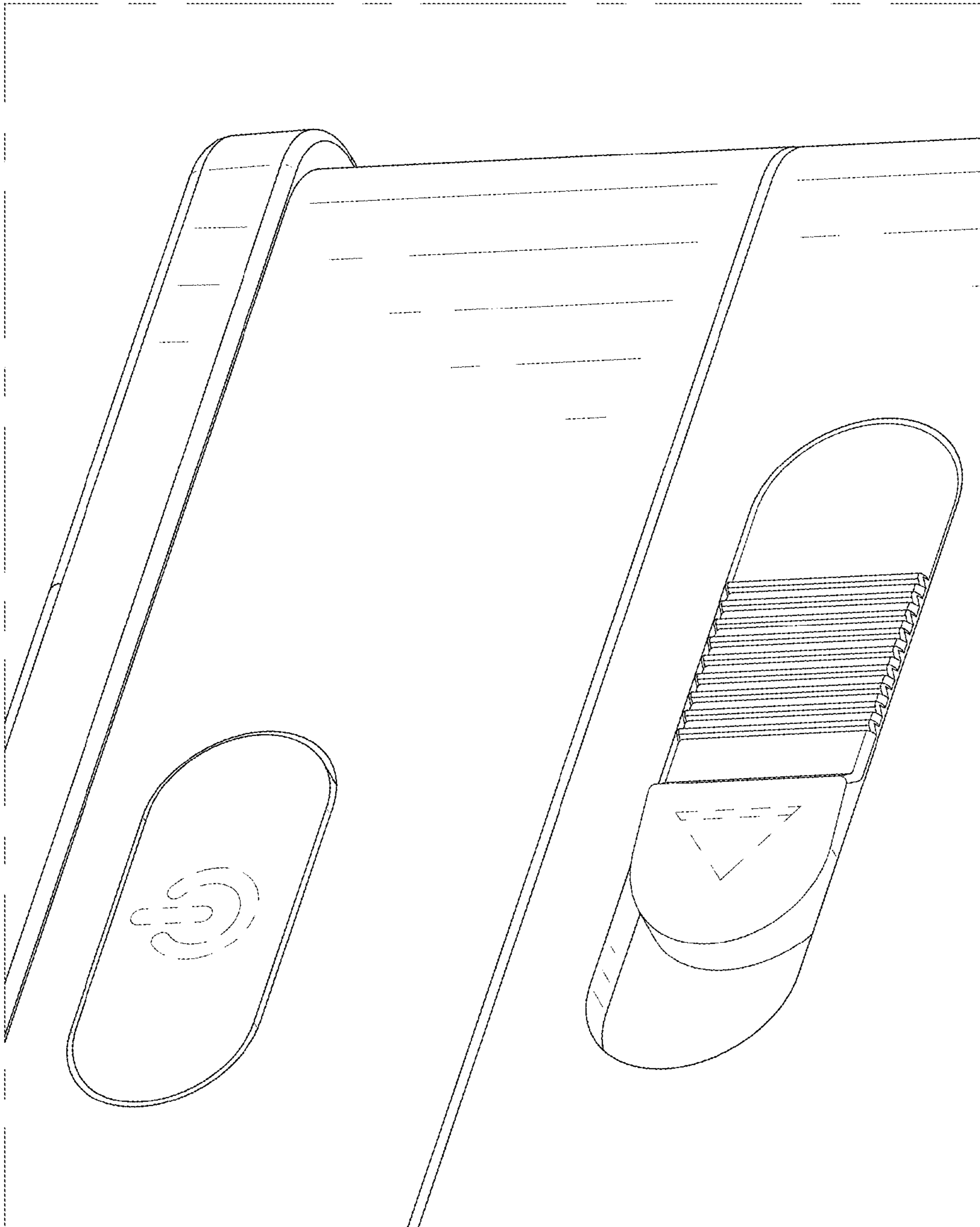


FIG. 10