



US00D893593S

(12) **United States Design Patent** (10) **Patent No.:** **US D893,593 S**
Sun (45) **Date of Patent:** **** Aug. 18, 2020**

(54) **WIRELESS MOBILE PRINTER**
(71) Applicant: **ZHUHAI QUYIN TECHNOLOGY CO., LTD., Zhuhai (CN)**
(72) Inventor: **Ruijuan Sun, Zhuhai (CN)**
(73) Assignee: **ZHUHAI QUYIN TECHNOLOGY CO., LTD., Zhuhai (CN)**

D857,092 S 8/2019 Michie et al.
D861,065 S * 9/2019 Chih D18/19
D876,533 S * 2/2020 Nanno D18/19

FOREIGN PATENT DOCUMENTS

CN 304699805 * 6/2018
CN 305587181 * 2/2020
CN 305603721 * 2/2020

OTHER PUBLICATIONS

Amazon. Link: https://www.amazon.com/dp/B07XXB2MXN/ref=cm_sw_r_tw_dp_U_x_BgcwEbe3JTZM5. Jan. 10, 2020. Phomemo-M110 Label Maker—Portable Bluetooth Thermal Label Printer. (Year: 2020).*

Amazon. Link: https://www.amazon.com/dp/B07RKX8JMX/ref=cm_sw_r_tw_dp_U_x_V2bxEbWM5WWC2. May 6, 2019. Netum Label Printer Portable. (Year: 2019).*

* cited by examiner

Primary Examiner — Lauren D McVey

(**) Term: **15 Years**
(21) Appl. No.: **29/717,486**
(22) Filed: **Dec. 17, 2019**
(51) **LOC (12) Cl.** **18-99**
(52) **U.S. Cl.**
USPC **D18/19**
(58) **Field of Classification Search**
USPC D18/14, 19, 50, 53, 54, 55, 56, 59, 36,
D18/37, 38, 39, 40, 41, 45; D19/65, 66,
D19/67, 68, 69, 70, 71; D14/301, 307,
D14/121
CPC H04N 1/00204; H04N 1/00249; H04N
1/00278; G06K 15/12; G06K 15/14; B41J
3/00; B41J 3/28; B41J 3/445; B41J 3/46;
G06F 3/12; G06F 3/1292
See application file for complete search history.

(56) **References Cited**

U.S. PATENT DOCUMENTS

D447,766 S * 9/2001 Obara D18/14
D538,839 S * 3/2007 Moskaluk 16/208
D685,415 S * 7/2013 Kinoshita D18/54
D758,481 S * 6/2016 Medugorac D18/19
D760,834 S * 7/2016 Takahashi D18/19
D800,210 S * 10/2017 Kamei D18/14
D810,820 S * 2/2018 Hong D18/53
D812,682 S 3/2018 Azegami
D826,320 S * 8/2018 Ikegame D18/50
D833,521 S * 11/2018 Nanno D18/50
D844,702 S * 4/2019 Hong D18/53
D854,079 S * 7/2019 Tsiopanos D18/50

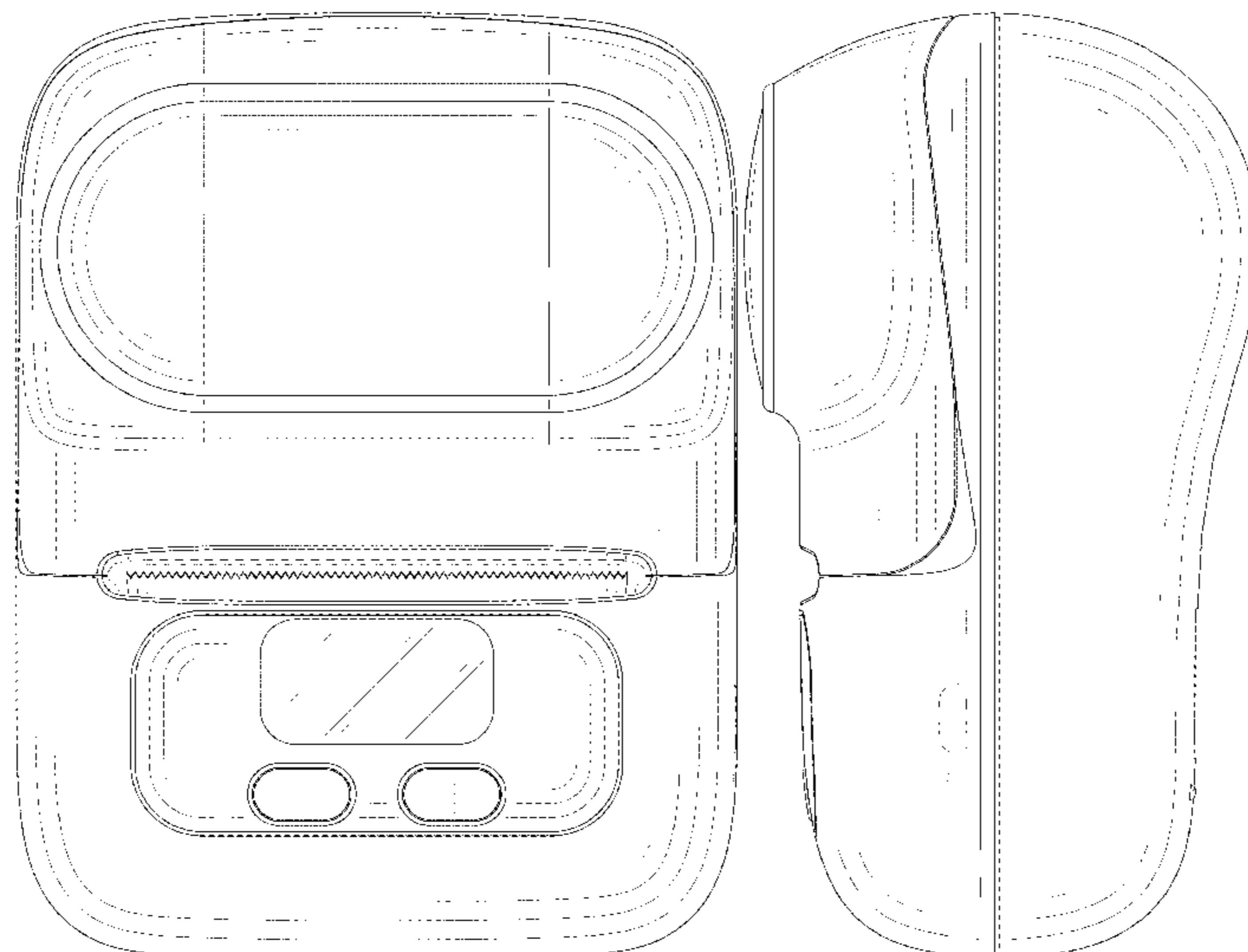
(57) **CLAIM**

The ornamental design for a wireless mobile printer, as shown and described.

DESCRIPTION

FIG. 1 is a perspective view of a wireless mobile printer showing my new design;
FIG. 2 is another perspective view thereof;
FIG. 3 is a front elevational view thereof;
FIG. 4 is a rear elevational view thereof;
FIG. 5 is a left side elevational view thereof;
FIG. 6 is a right side elevational view thereof;
FIG. 7 is a top plan view thereof; and,
FIG. 8 is a bottom plan view thereof.
The broken lines immediately adjacent the shaded areas depict the bounds of the claimed design, while all other broken lines are directed to environment. The broken lines form no part of the claimed design.

1 Claim, 8 Drawing Sheets



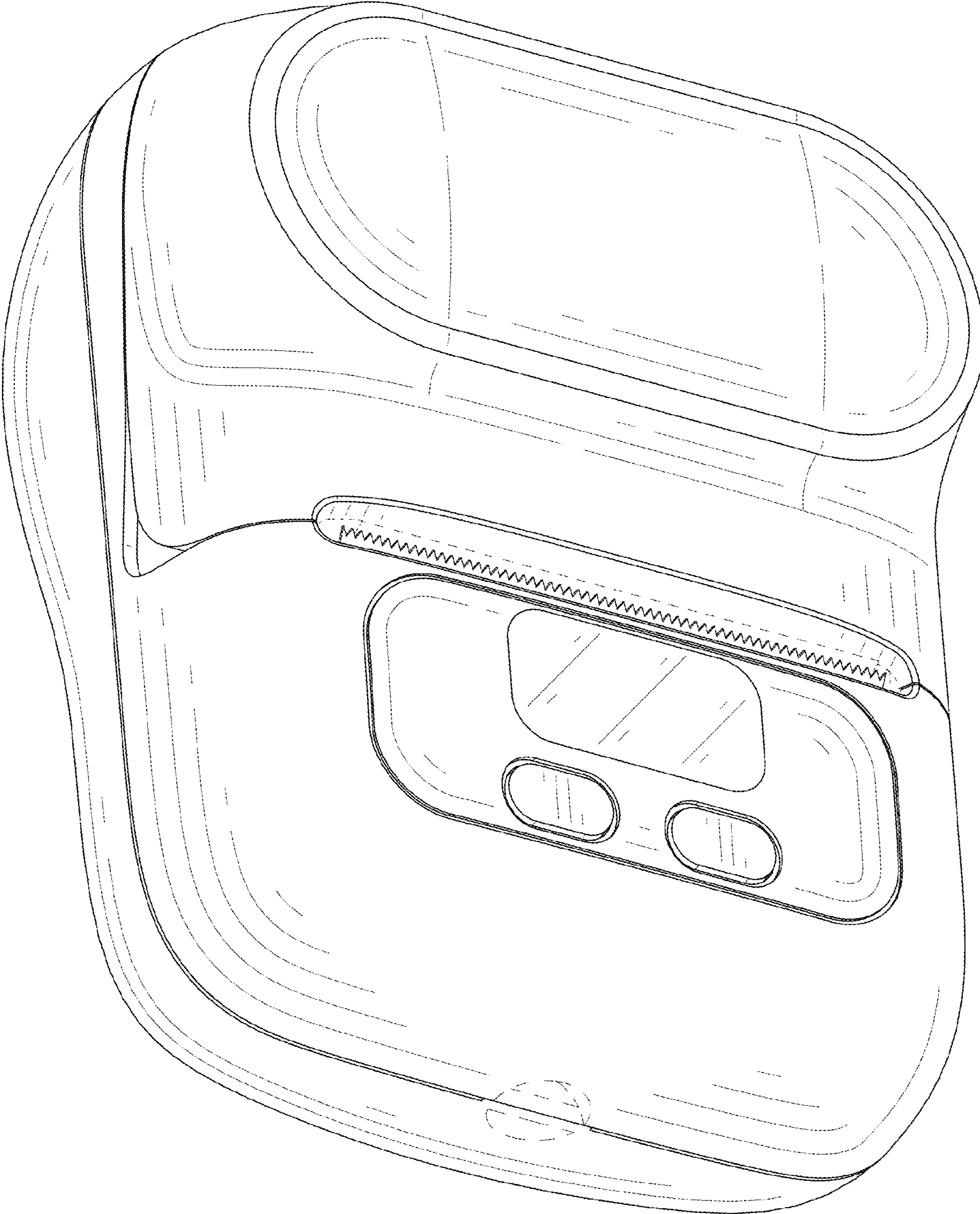


FIG. 1

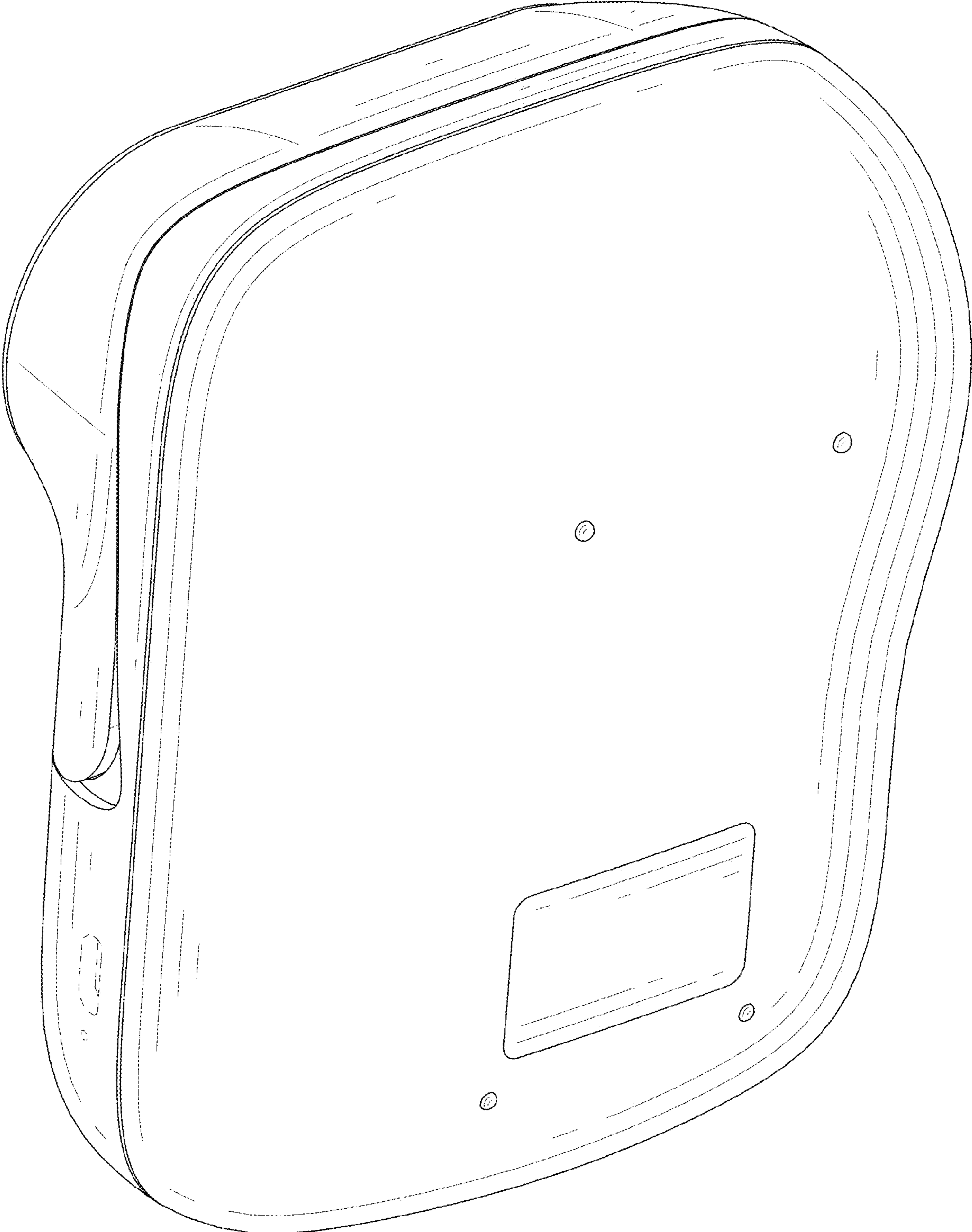


FIG. 2

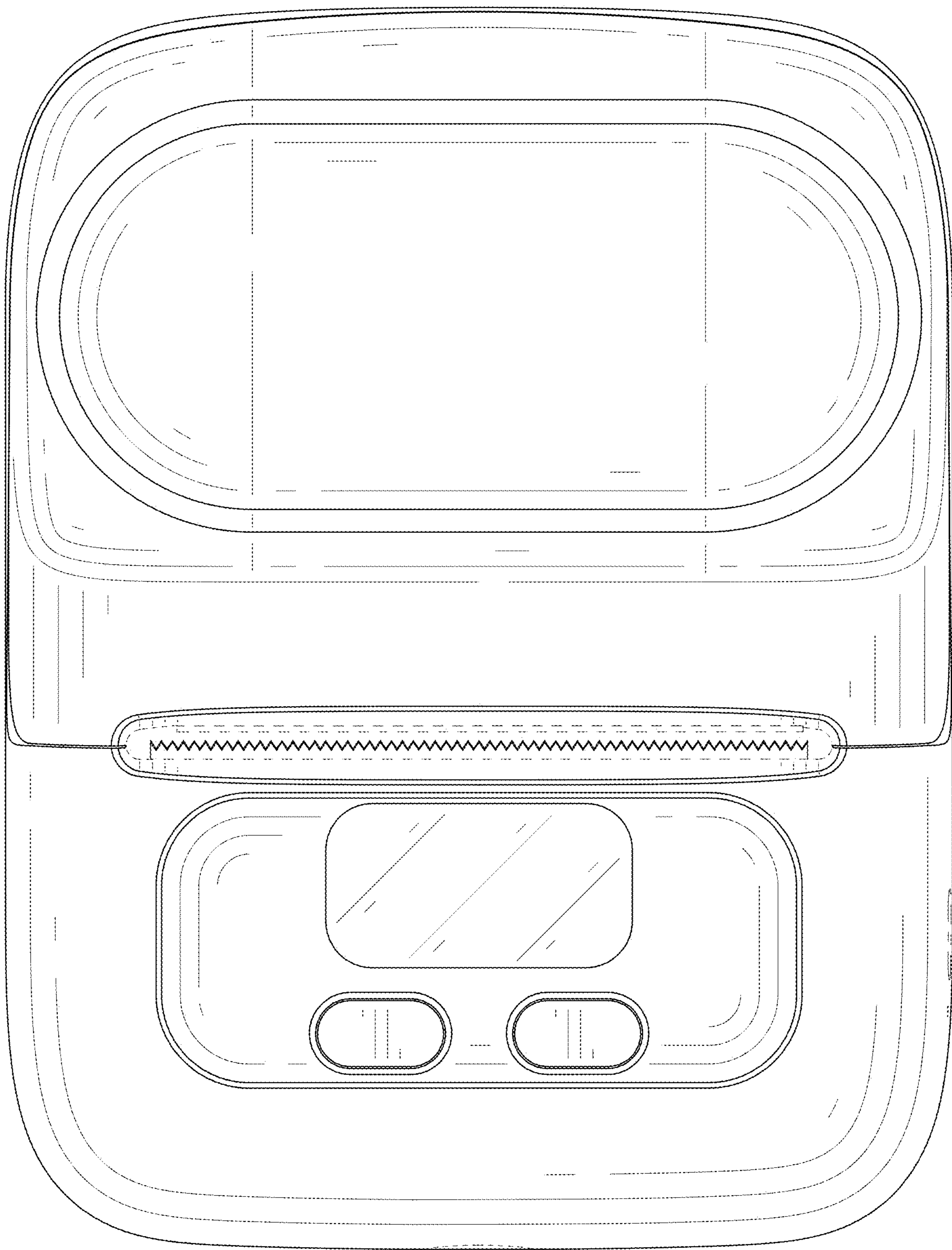


FIG. 3

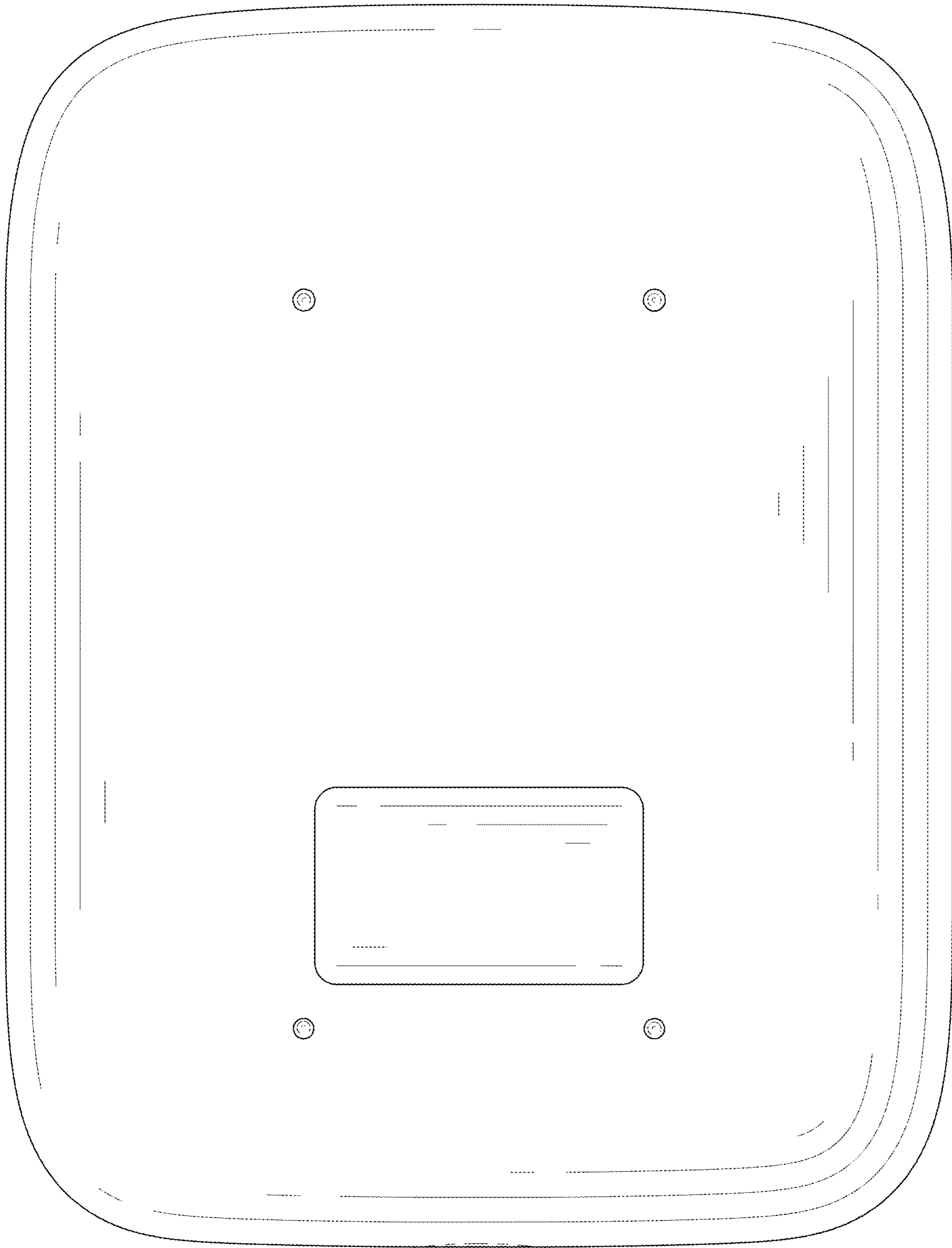


FIG. 4

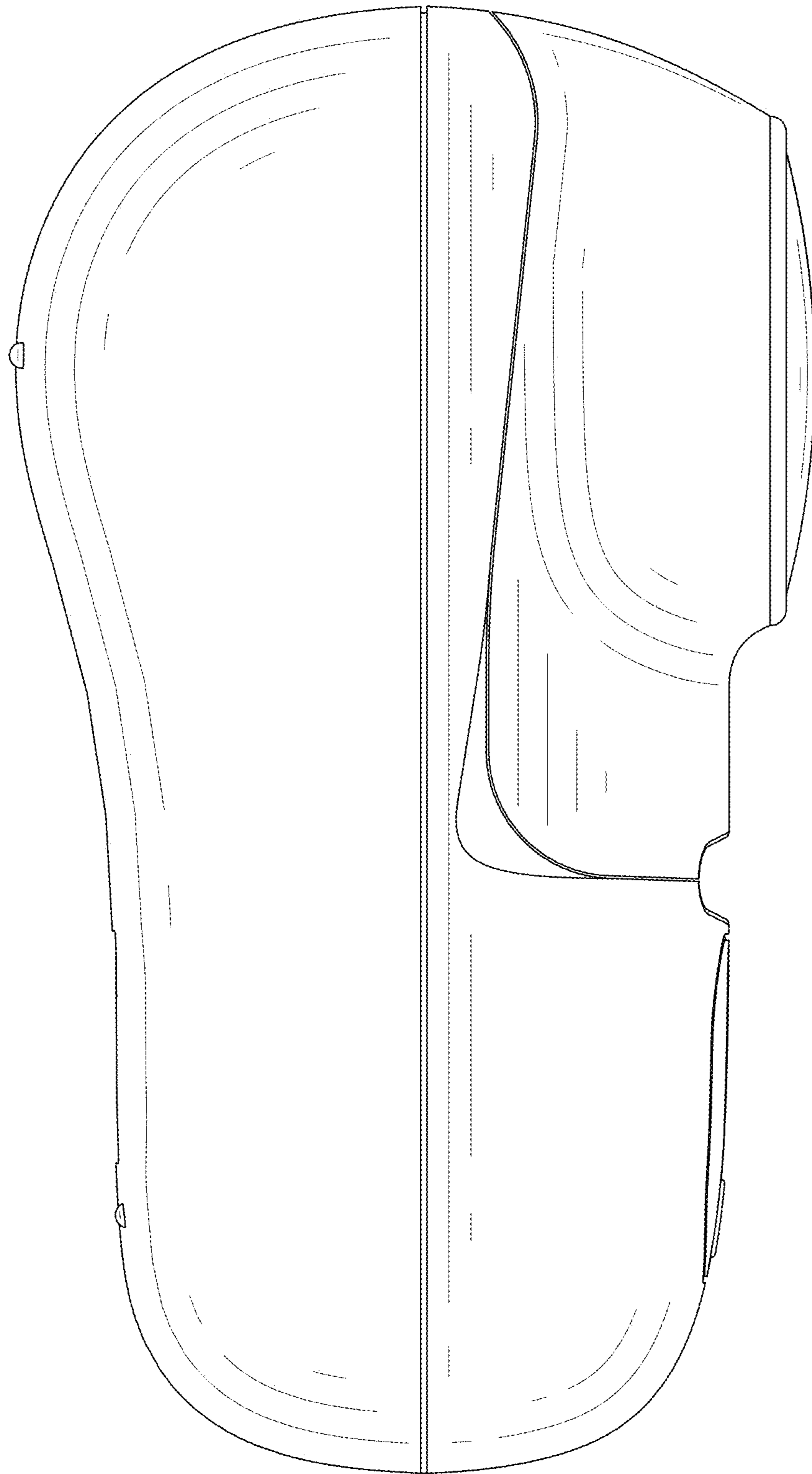


FIG. 5

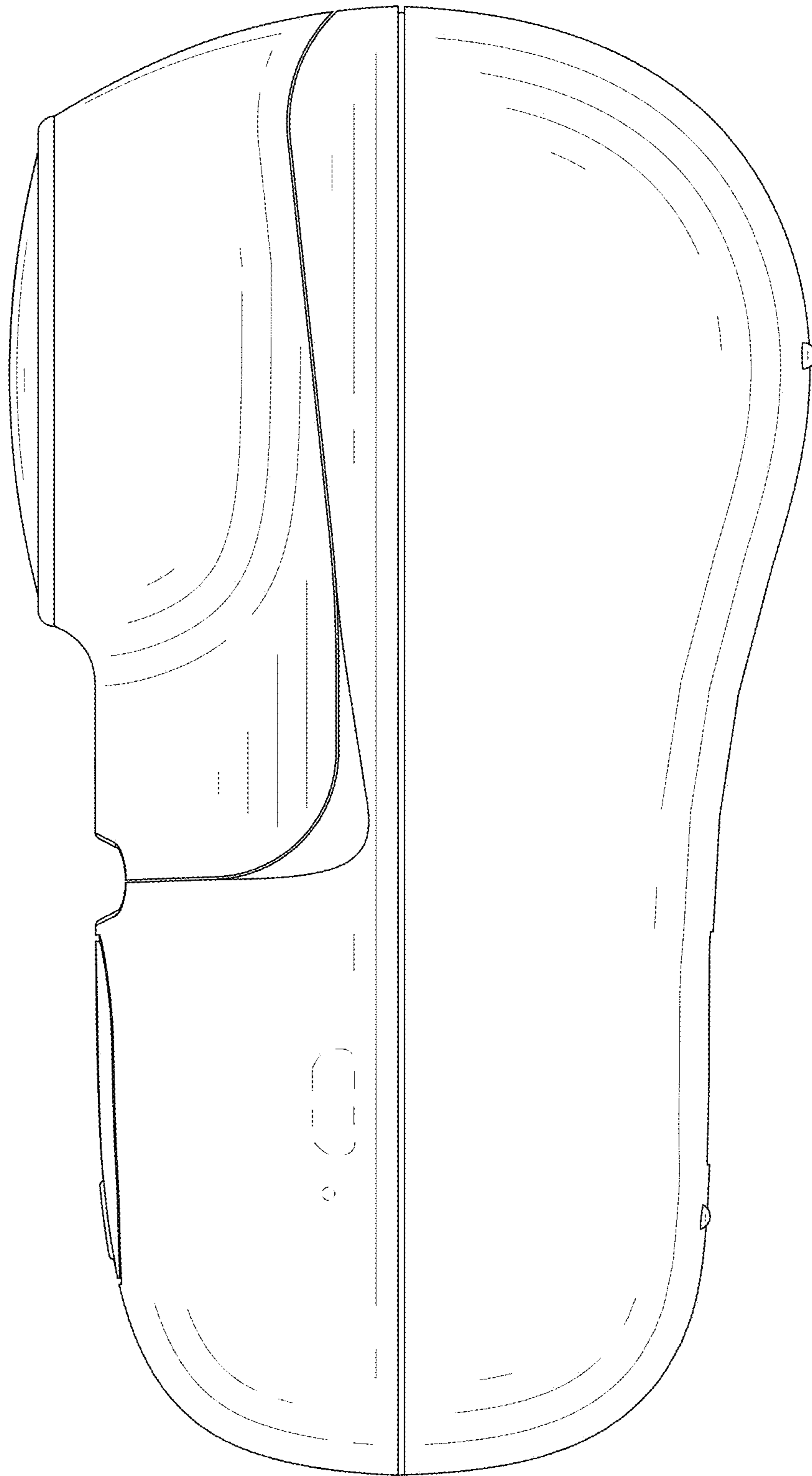


FIG. 6

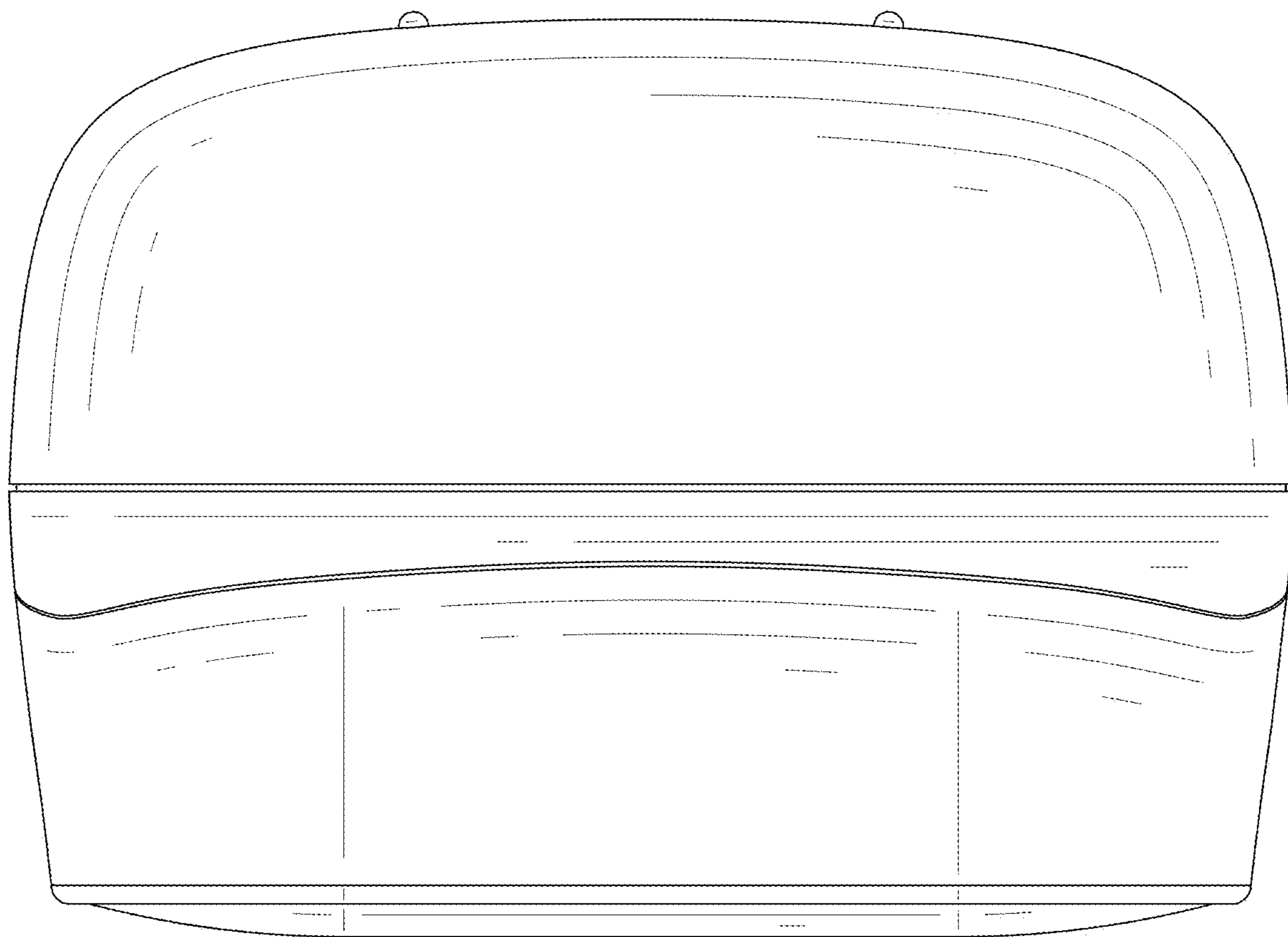


FIG. 7

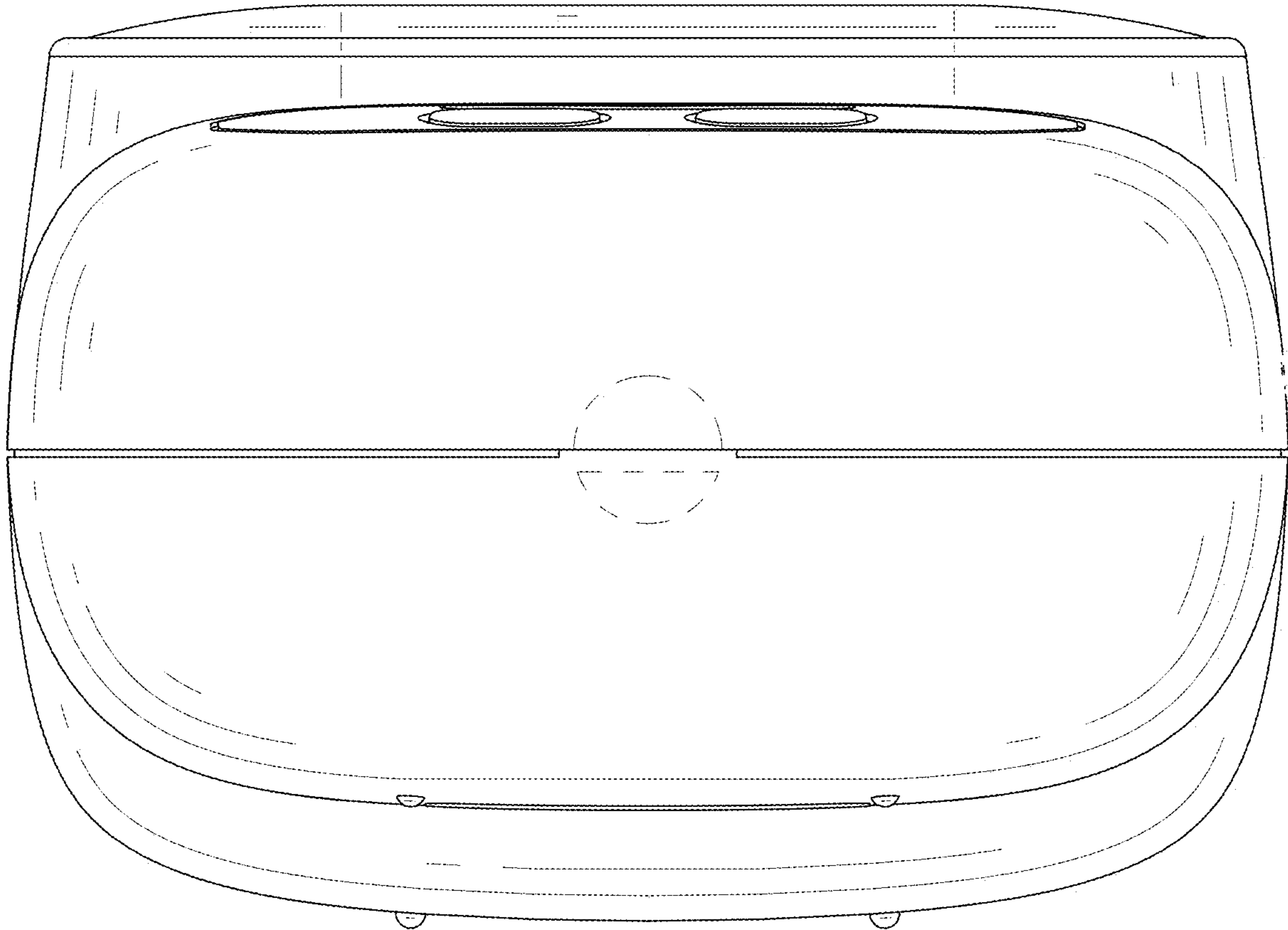


FIG. 8