

US00D893592S

(12) **United States Design Patent**
Ishida

(10) **Patent No.:** **US D893,592 S**

(45) **Date of Patent:** **** Aug. 18, 2020**

(54) **LABEL PRINTER**

(71) Applicant: **BROTHER INDUSTRIES, LTD.**,
Nagoya-shi, Aichi-ken (JP)

(72) Inventor: **Nozomi Ishida**, Nagoya (JP)

(73) Assignee: **BROTHER INDUSTRIES, LTD.**,
Nagoya (JP)

(**) Term: **15 Years**

(21) Appl. No.: **29/682,094**

(22) Filed: **Mar. 1, 2019**

(30) **Foreign Application Priority Data**

Sep. 3, 2018 (JP) 2018-019157

(51) **LOC (12) Cl.** **18-99**

(52) **U.S. Cl.**
USPC **D18/19**

(58) **Field of Classification Search**
USPC D18/14, 19, 50, 54, 54.1, 55, 36-37;
D19/65-68, 70, 71
CPC . B41J 2/1752; B41J 3/36; B41J 29/023; B41J
2/17526; B41J 3/28; B41K 1/00; B41K
1/38; B41K 1/006; B41K 1/02; B41K
1/08; B41K 1/40; B41K 1/42; B41K
1/52; B41K 1/54; B41K 1/56; B41K
1/36; B23K 26/00; B23K 26/10; B41C
3/04; B41D 7/00

See application file for complete search history.

(56) **References Cited**

U.S. PATENT DOCUMENTS

6,276,850 B1 * 8/2001 Silverbrook B41J 2/01
347/2
D492,719 S * 7/2004 Schmitt D18/50
D598,018 S * 8/2009 Sumii D14/301
D700,649 S * 3/2014 Kimble D18/19
D715,356 S * 10/2014 Nakagawa D18/19

D736,312 S * 8/2015 Elbaum D18/50
D751,141 S * 3/2016 Minamide D18/50
D786,341 S * 5/2017 Iwai D18/19
D799,588 S * 10/2017 Nanno D18/19
D806,072 S * 12/2017 Gummalla D14/358
D806,709 S * 1/2018 Gummalla D14/358

(Continued)

FOREIGN PATENT DOCUMENTS

CA 2347168 A1 * 5/2000 G06F 1/1696
CN 304293523 * 9/2017
CN 304635471 * 5/2018

(Continued)

OTHER PUBLICATIONS

Amazon. Link: https://www.amazon.com/dp/B073WJLWJD/ref=cm_sw_r_tw_dp_U_x_n7BiEbPNBF0J9. Mar. 1, 2016. Badgy200 Color Plastic ID Card Printer with Complete Supplies Package. (Year: 2016).*

(Continued)

Primary Examiner — Lauren D McVey
(74) *Attorney, Agent, or Firm* — Oliff PLC

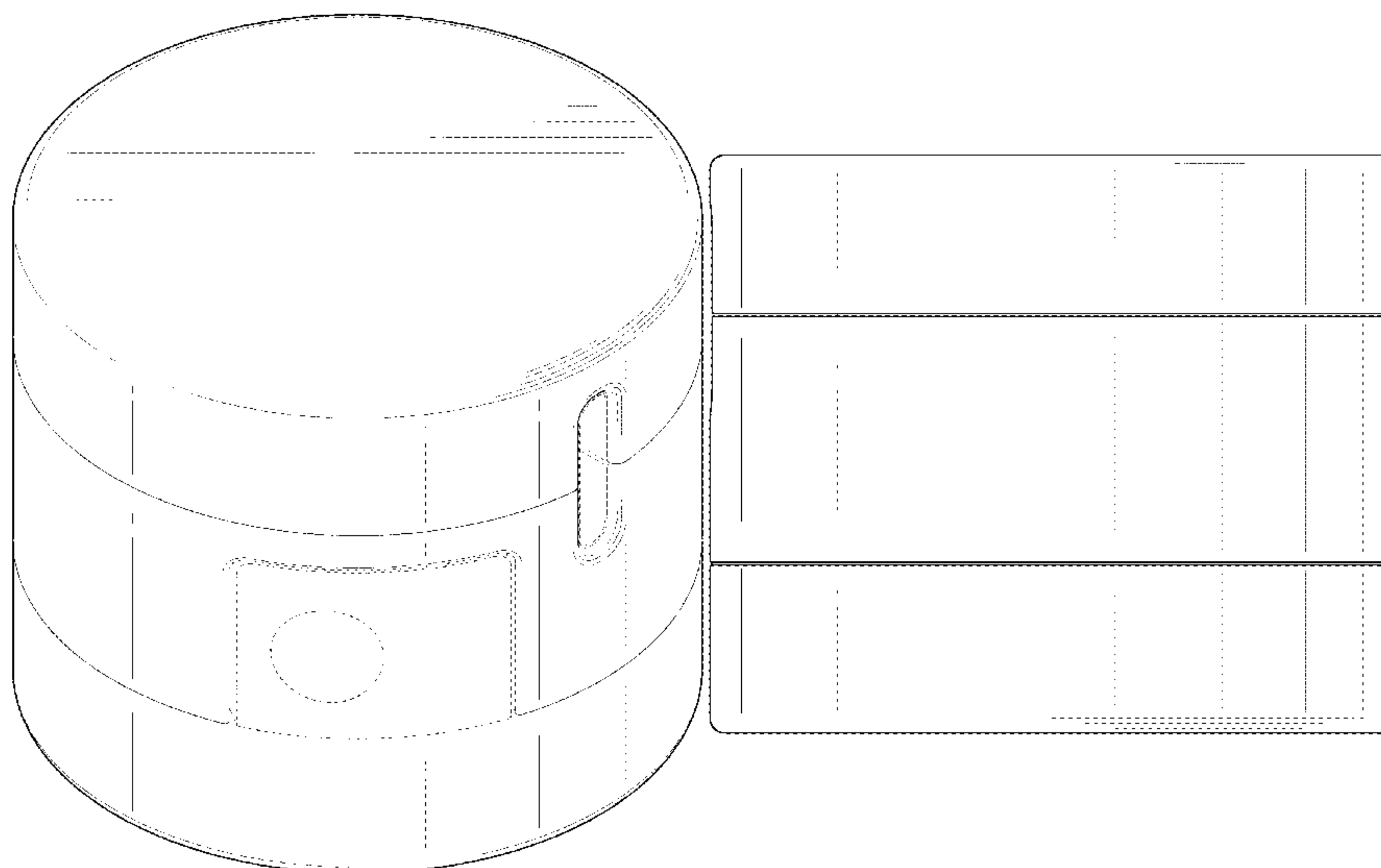
(57) **CLAIM**

The ornamental design for a label printer, as shown and described.

DESCRIPTION

FIG. 1 is a perspective view of a label printer;
FIG. 2 is a front view thereof;
FIG. 3 is a top view thereof;
FIG. 4 is a left-side view thereof;
FIG. 5 is a right-side view thereof;
FIG. 6 is a rear view thereof; and,
FIG. 7 is a bottom view thereof.
The evenly spaced broken lines depict unclaimed parts of the label printer and form no part of the claimed design.

1 Claim, 7 Drawing Sheets



(56)

References Cited

U.S. PATENT DOCUMENTS

D812,135 S * 3/2018 Park D18/50
D829,277 S * 9/2018 Seki D18/50

FOREIGN PATENT DOCUMENTS

CN 305241009 * 7/2019
JP D1440740 * 5/2012

OTHER PUBLICATIONS

Amazon. Link: https://www.amazon.com/dp/B00EDCZKJ2/ref=cm_sw_r_tw_dp_U_x_imCiEbQE0SX7V. Jun. 30, 2017. ZINK Phone Photo & Labels Wireless Printer. (Year: 2017).*

Amazon. Link: https://www.amazon.com/dp/B07KWW7RH6/ref=cm_sw_r_tw_dp_U_x_5jCiEbG1KHYCW. Jan. 24, 2019. Brother VC-500W Versatile Compact Color Label and Photo Printer. (Year: 2019).*

* cited by examiner

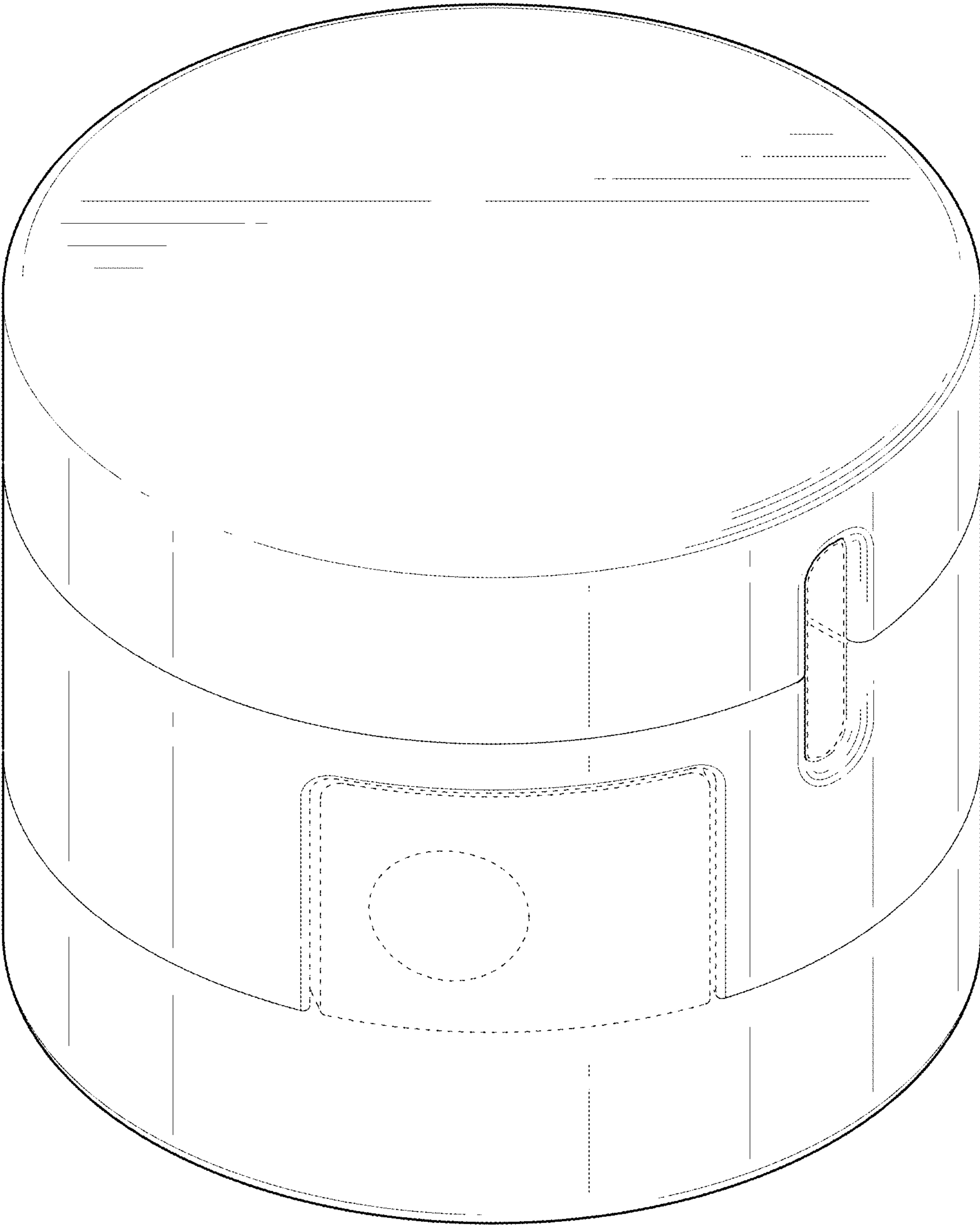


FIG. 1

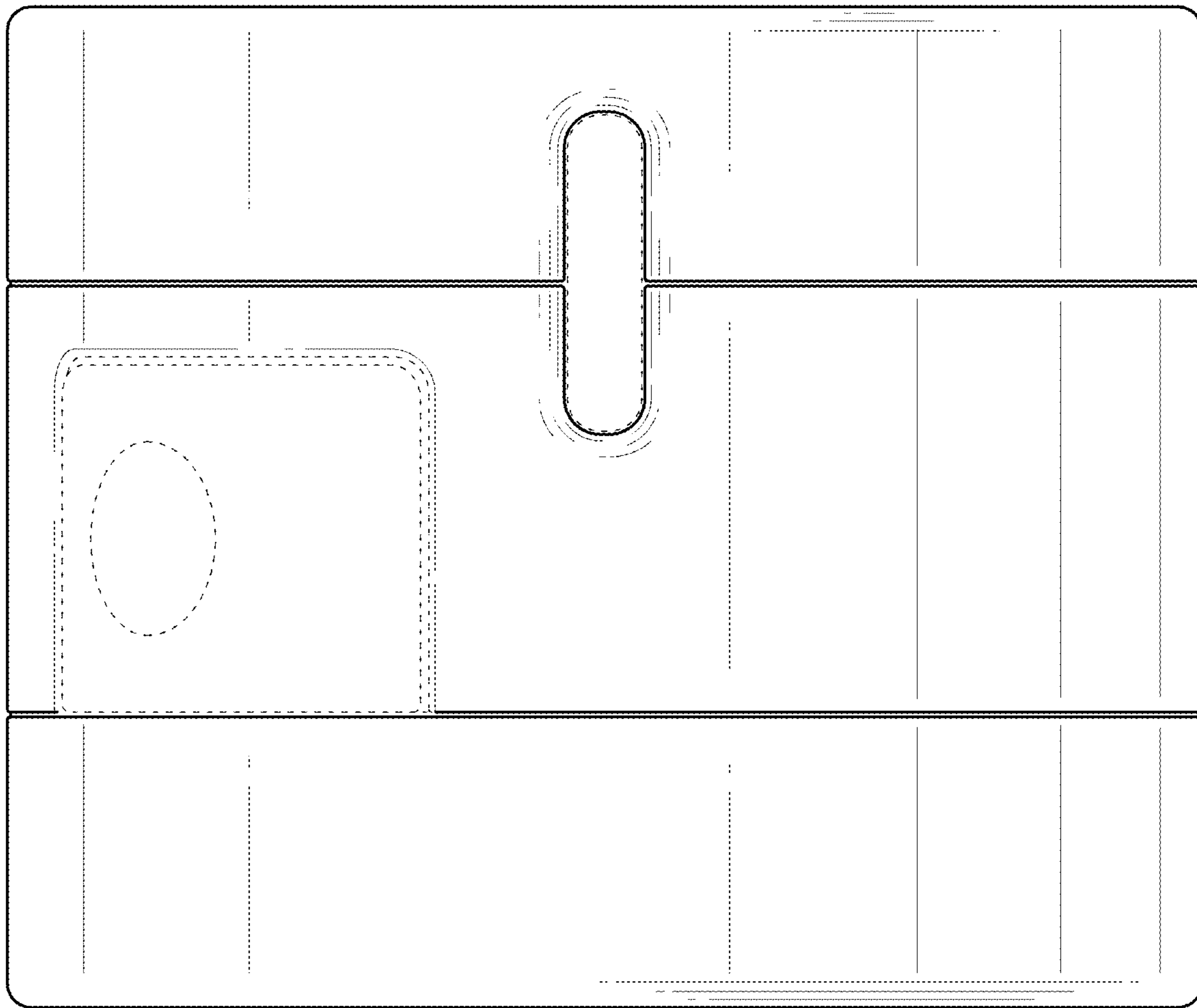


FIG. 2

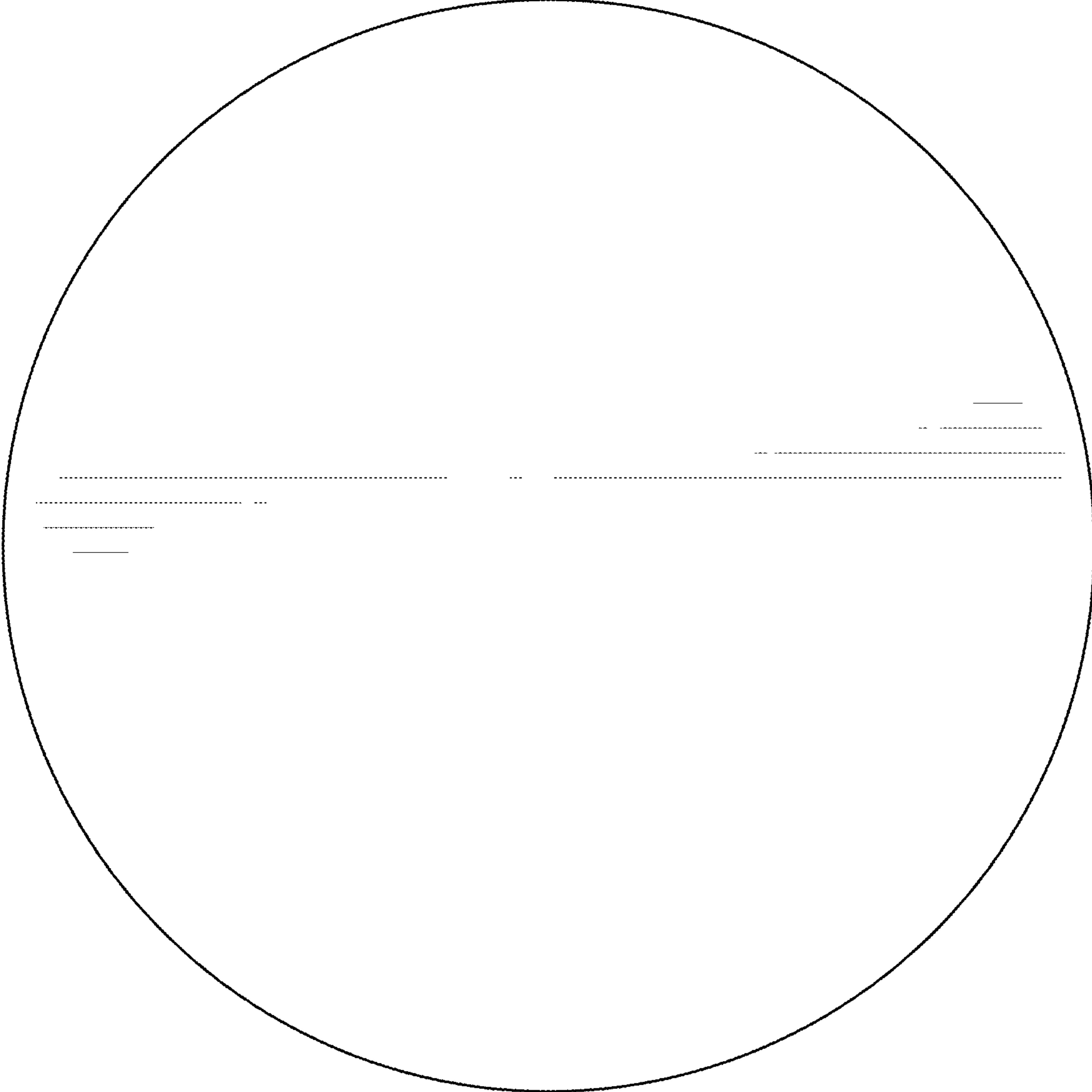


FIG. 3

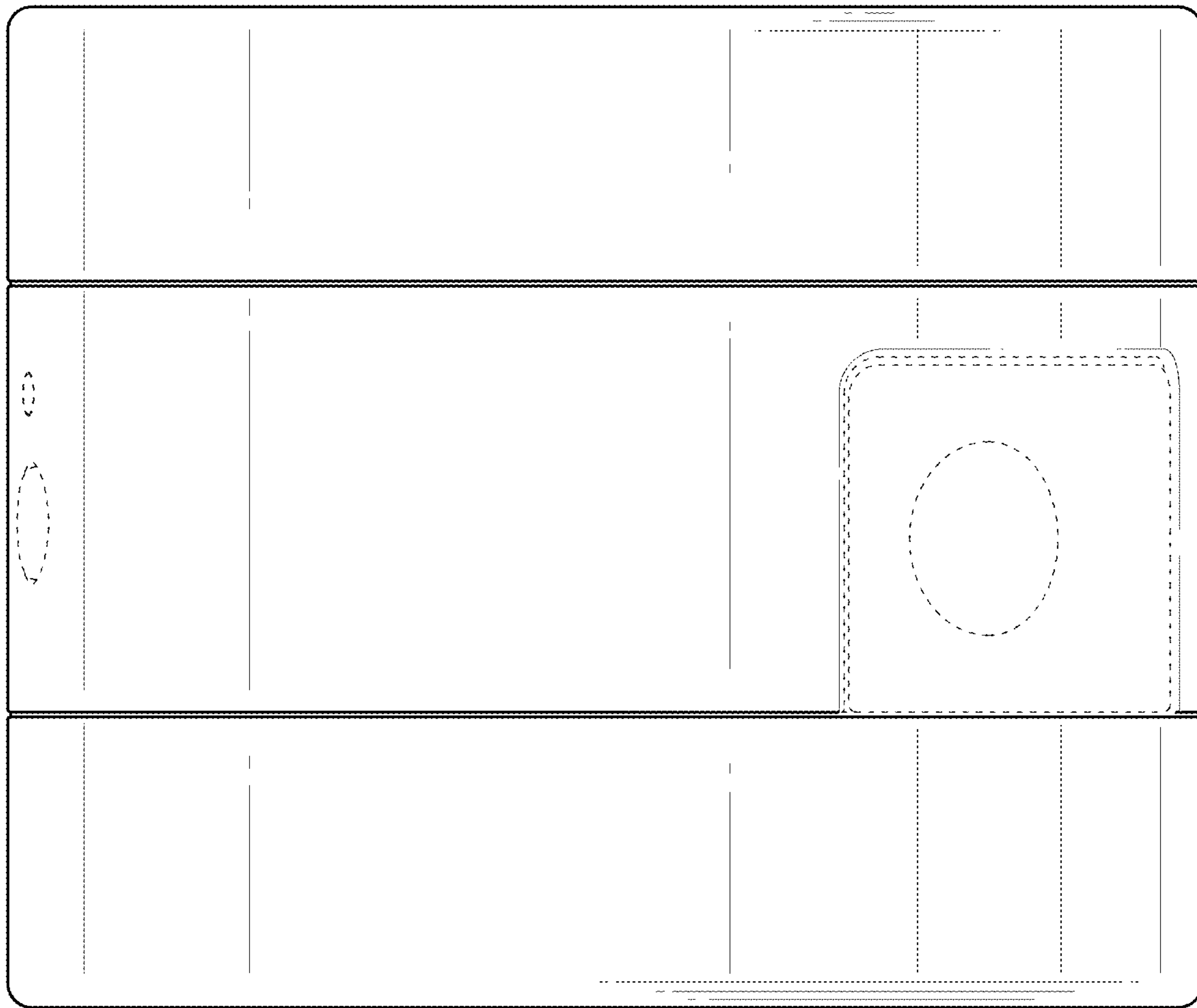


FIG. 4

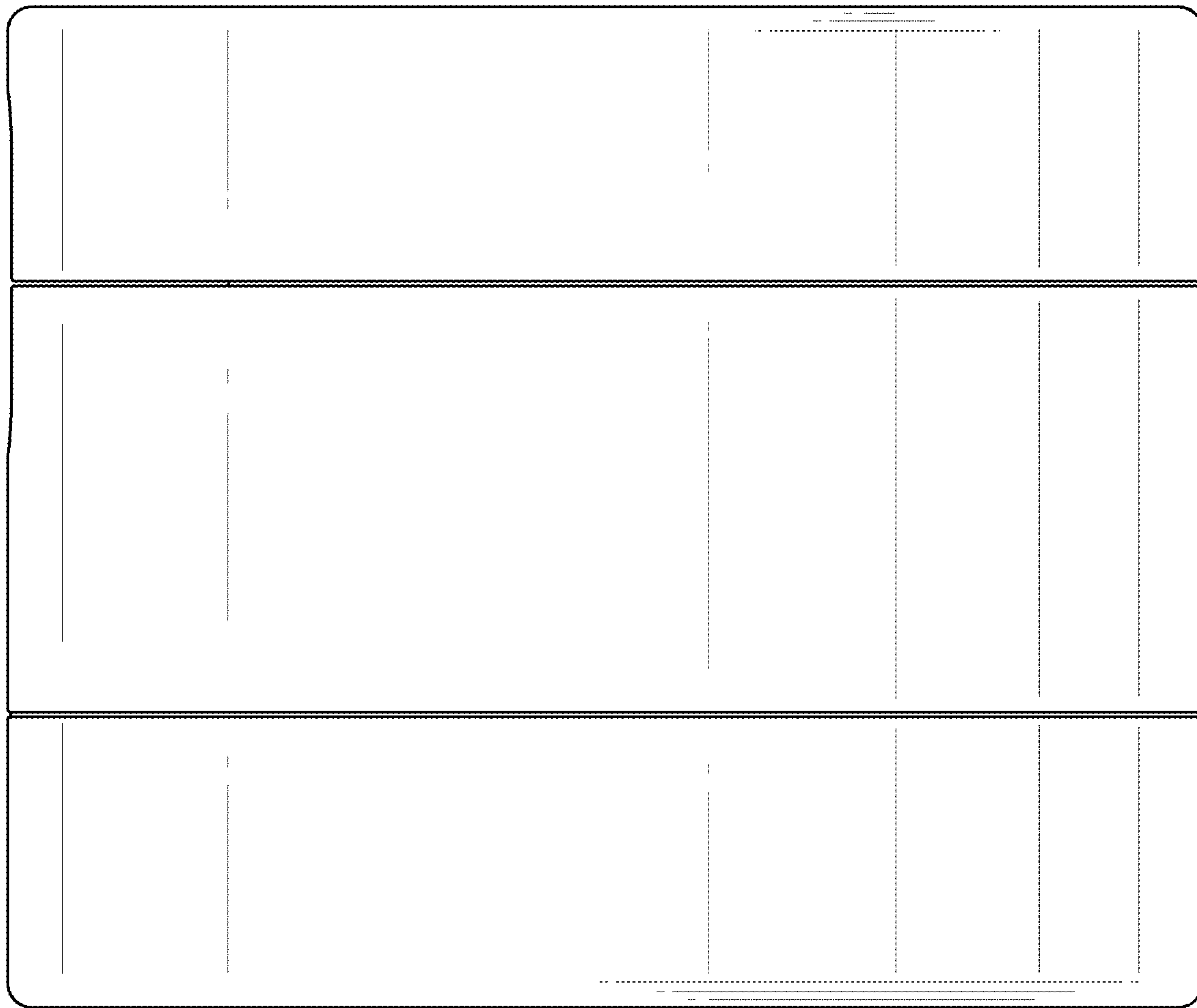


FIG. 5

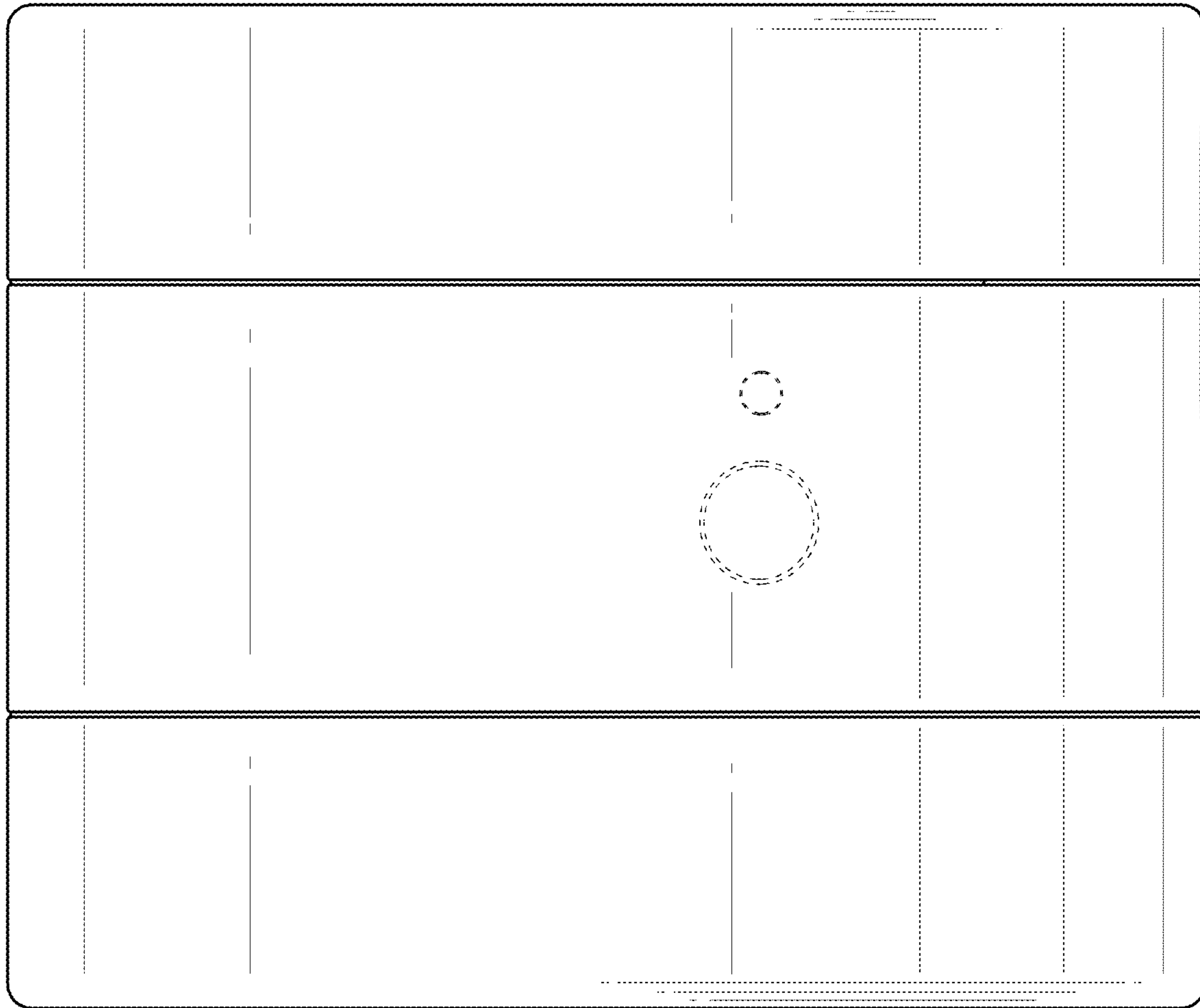


FIG. 6

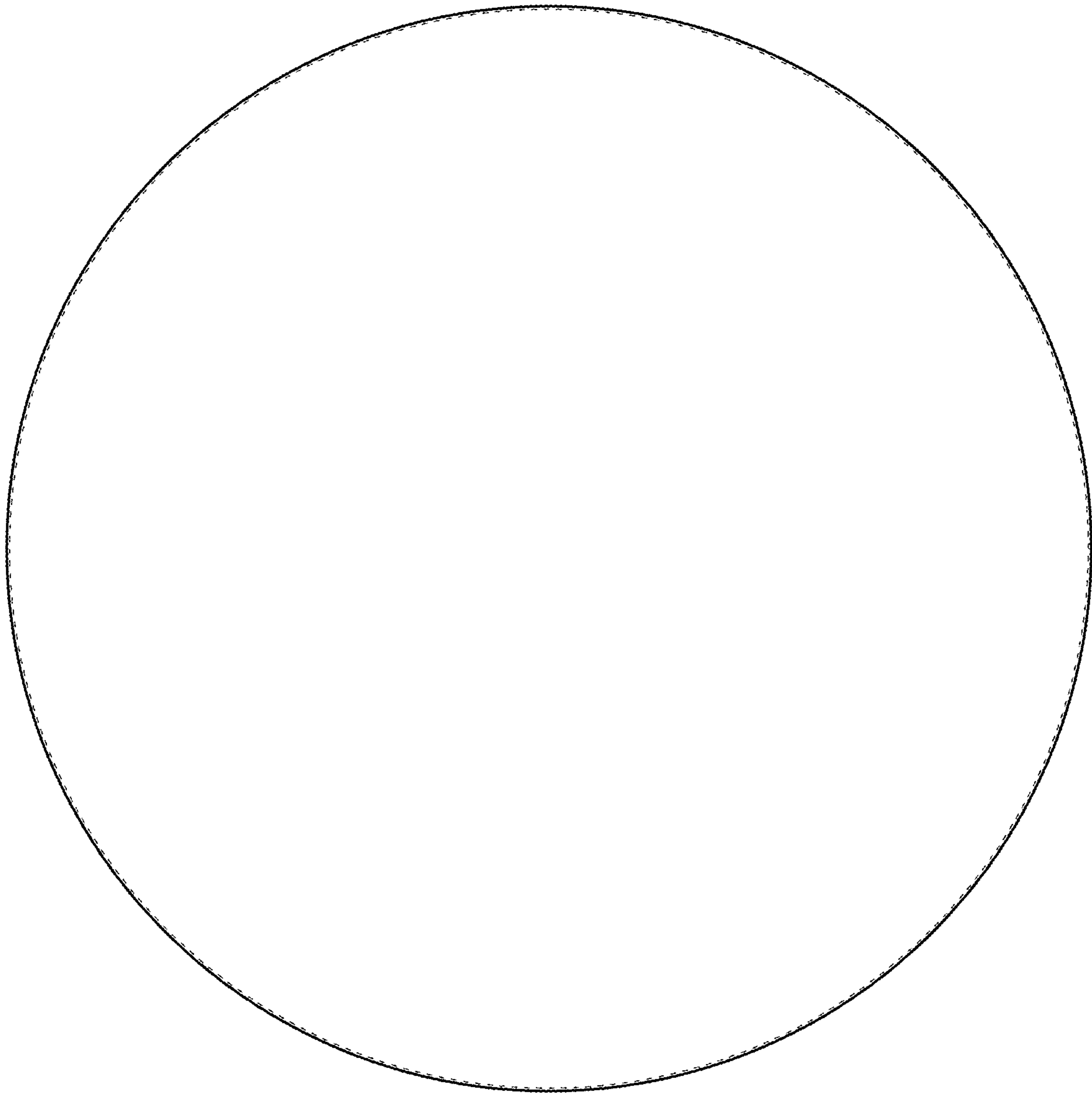


FIG. 7