

US00D893591S

(12) **United States Design Patent**
Smolenski et al.

(10) **Patent No.:** **US D893,591 S**

(45) **Date of Patent:** **** Aug. 18, 2020**

(54) **MEDIA PROCESSING DEVICE**

- (71) Applicant: **Zebra Technologies Corporation**,
Lincolnshire, IL (US)
- (72) Inventors: **Lawrence E. Smolenski**, Newbury
Park, CA (US); **Kurt Botsai**, Thousand
Oaks, CA (US); **Petrica Dorinel
Balcan**, Thousand Oaks, CA (US)
- (73) Assignee: **Zebra Technologies Corporation**,
Lincolnshire, IL (US)

(**) Term: **15 Years**

(21) Appl. No.: **29/673,844**

(22) Filed: **Dec. 18, 2018**

(51) **LOC (12) Cl.** **18-99**

(52) **U.S. Cl.**
USPC **D18/19**

(58) **Field of Classification Search**
USPC D18/14, 19, 50, 53, 54, 55, 56, 59, 36,
D18/37, 38, 39, 40, 41, 45; D14/301,
D14/307, 121; D19/65, 66, 67, 68, 69,
D19/70, 71
CPC H04N 1/00204; H04N 1/00249; H04N
1/00278; G06K 15/12; G06K 15/14; B41J
3/00; B41J 3/28; B41J 3/445; B41J 3/46;
B41J 3/36; B41J 3/382
See application file for complete search history.

(56) **References Cited**

U.S. PATENT DOCUMENTS

- D478,116 S * 8/2003 Nakaeda D18/19
 - 7,070,348 B2 * 7/2006 Sugimoto B41J 3/4075
242/357
 - D526,349 S * 8/2006 Granaas D18/54
- (Continued)

FOREIGN PATENT DOCUMENTS

- CN 303979484 * 12/2016
- CN 305093298 * 4/2019

OTHER PUBLICATIONS

YouTube. Link: https://www.youtube.com/watch?v=nLpVASb_nuk. Dec. 13, 2018. Issyzonepos IMP029 3 inch Industrial Label Printer 80mm Bluetooth Printer. (Year: 2018).*

(Continued)

Primary Examiner — Lauren D McVey

(57) **CLAIM**

We claim the ornamental design for a media processing device, as shown and described.

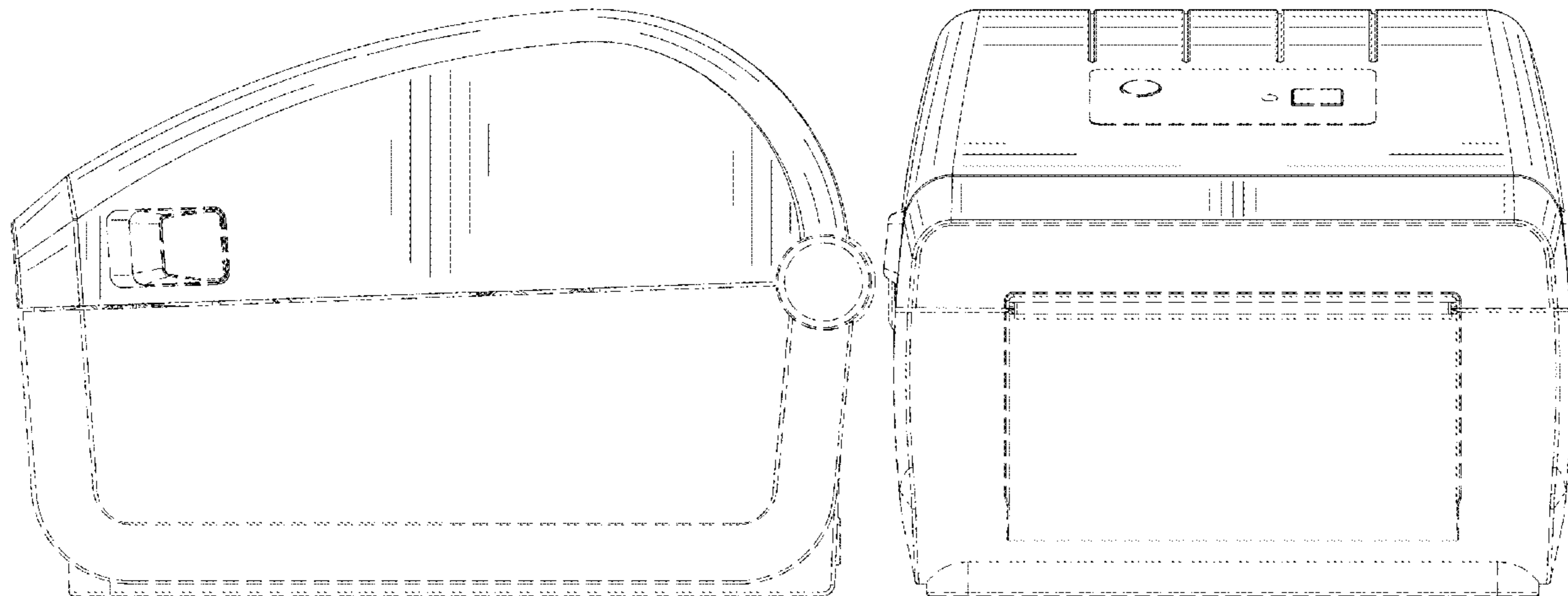
DESCRIPTION

FIG. 1 is a front perspective view of a first embodiment of a media processing device, showing our new design; FIG. 2 is a rear perspective view thereof; FIG. 3 is a first side elevation view thereof; FIG. 4 is a second side elevation view thereof; FIG. 5 is a top view thereof; FIG. 6 is a bottom view thereof; FIG. 7 is a front elevation view thereof; FIG. 8 is a rear elevation view thereof; FIG. 9 is a front perspective view of a second embodiment of the media processing device; FIG. 10 is a rear perspective view thereof; FIG. 11 is a first side elevation view thereof; FIG. 12 is a second side elevation view thereof; FIG. 13 is a top view thereof; FIG. 14 is a bottom view thereof; FIG. 15 is a front elevation view thereof; and, FIG. 16 is a rear elevation view thereof.

The broken lines immediately adjacent the shaded areas depict the bounds of the claimed design, while all other broken lines are directed to environment. The broken lines form no part of the claimed design.

The wire frame lines shown throughout the views indicate surface contour.

1 Claim, 16 Drawing Sheets



(56)

References Cited

U.S. PATENT DOCUMENTS

D527,043 S * 8/2006 Borne D18/19
D536,370 S 2/2007 Smolenski et al.
D663,767 S * 7/2012 Inada D18/19
8,342,763 B2* 1/2013 Vo B41J 17/32
400/693
D800,830 S * 10/2017 Maeda D18/19
D822,758 S * 7/2018 Maeda D18/19
D838,311 S * 1/2019 Maeda D18/19
D857,092 S * 8/2019 Michie D18/19
2019/0022884 A1* 1/2019 Takahashi B41J 11/706
2019/0023032 A1* 1/2019 Osuka B41J 11/703

OTHER PUBLICATIONS

ZD620 and ZD420:Link-OS 4 inch Desktop Printers Users Guide,
Rev A, Published Aug. 2018, p. 22, 29.

* cited by examiner

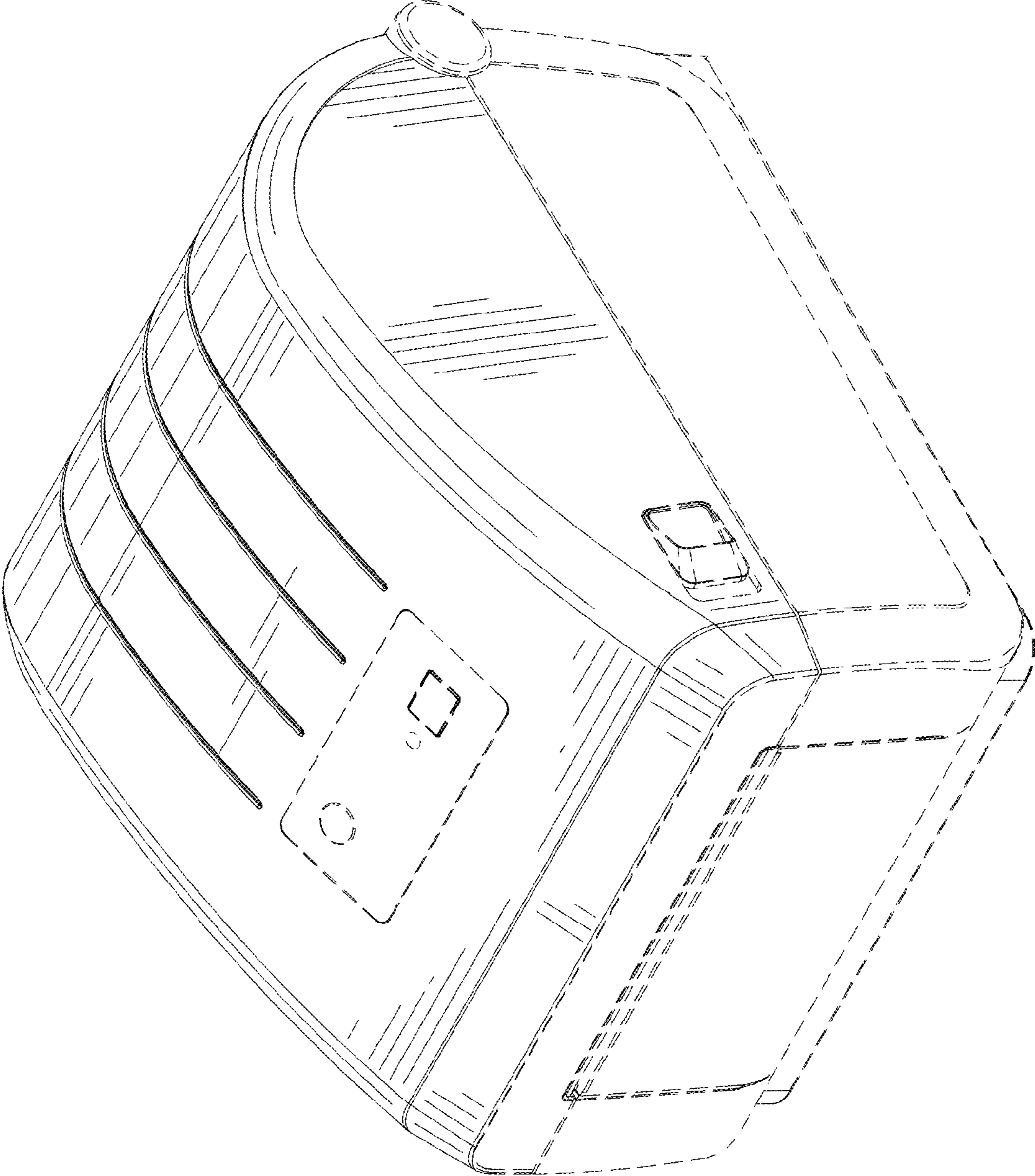


FIG. 1

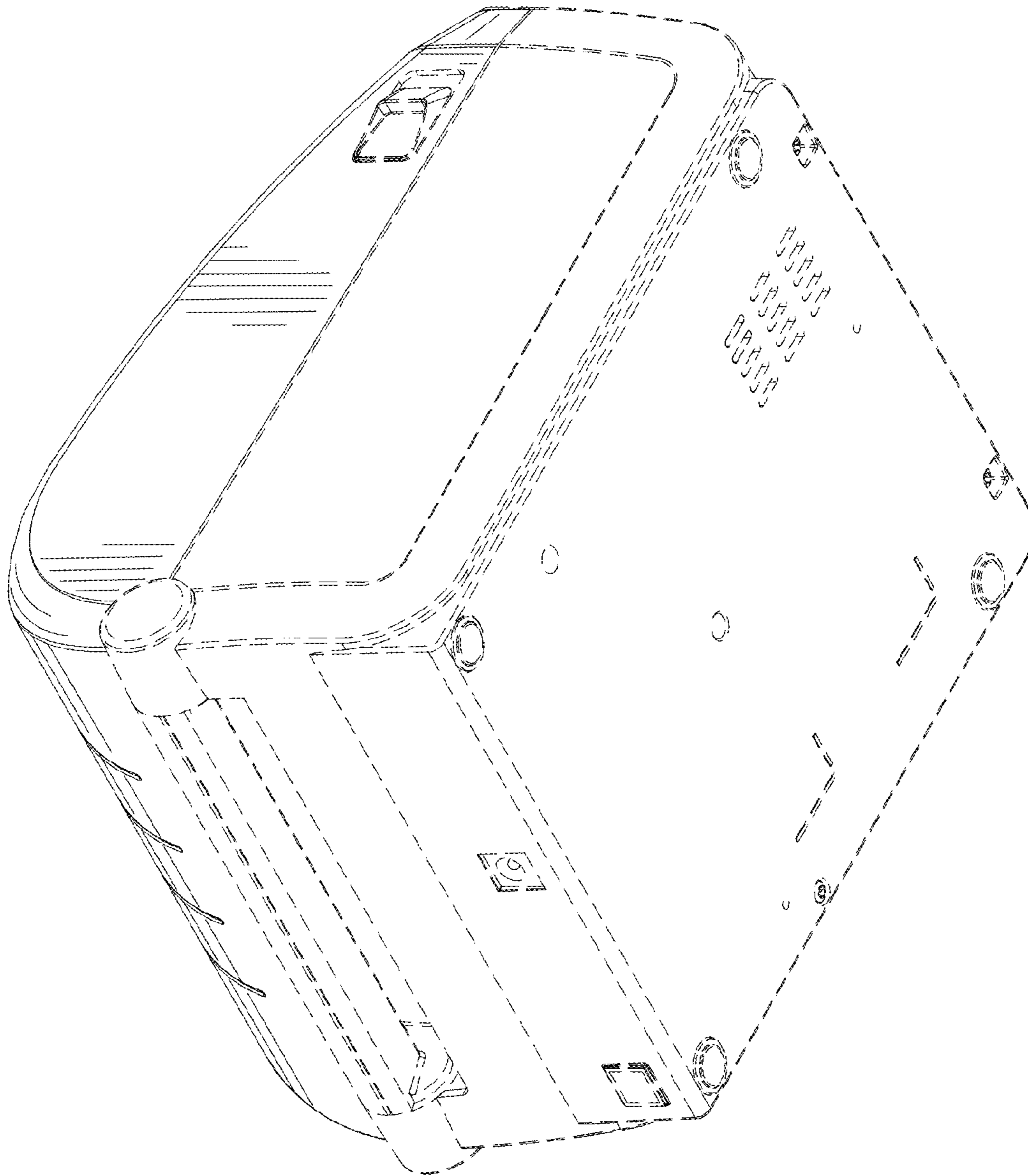


FIG. 2

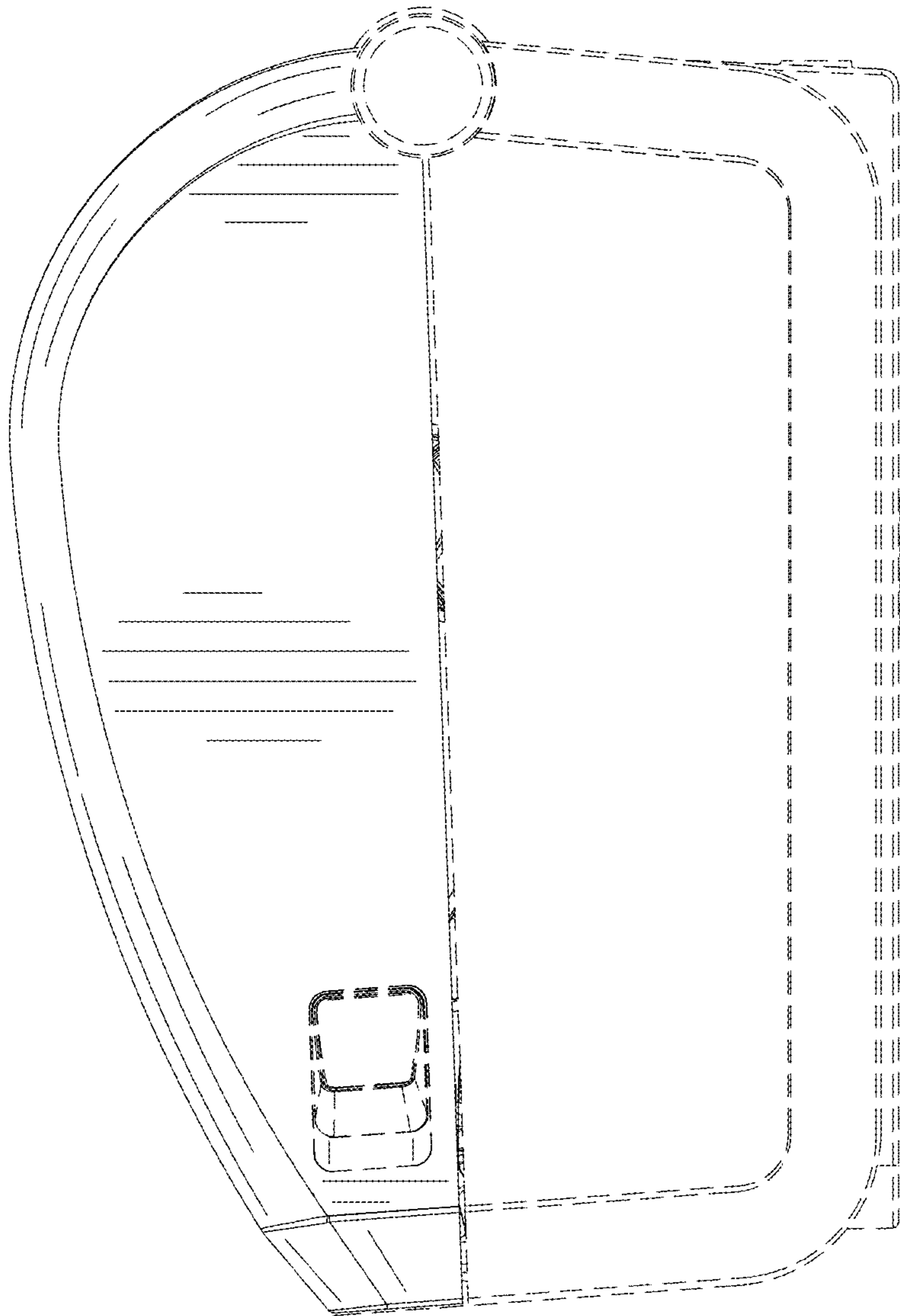


FIG. 3

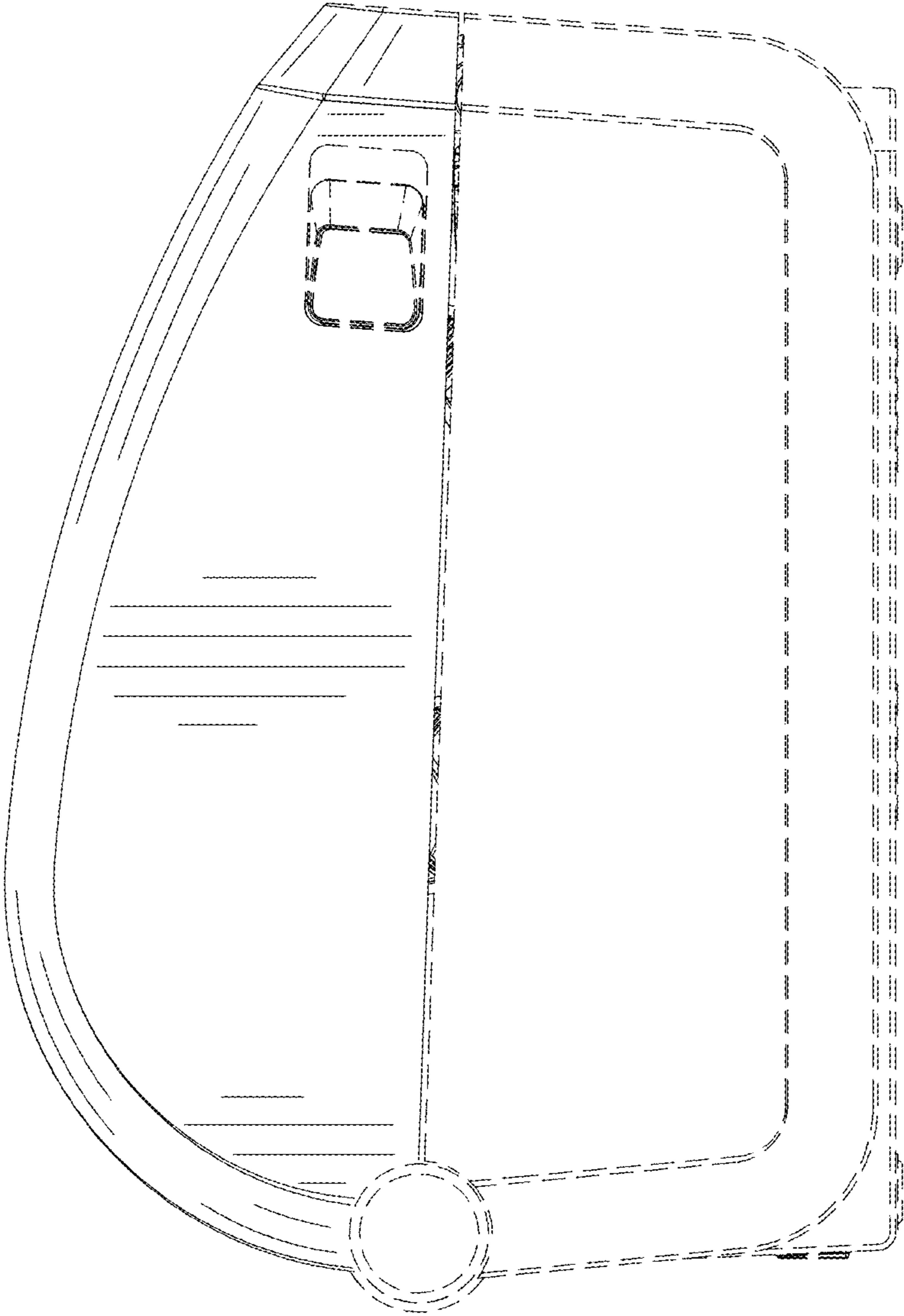


FIG. 4

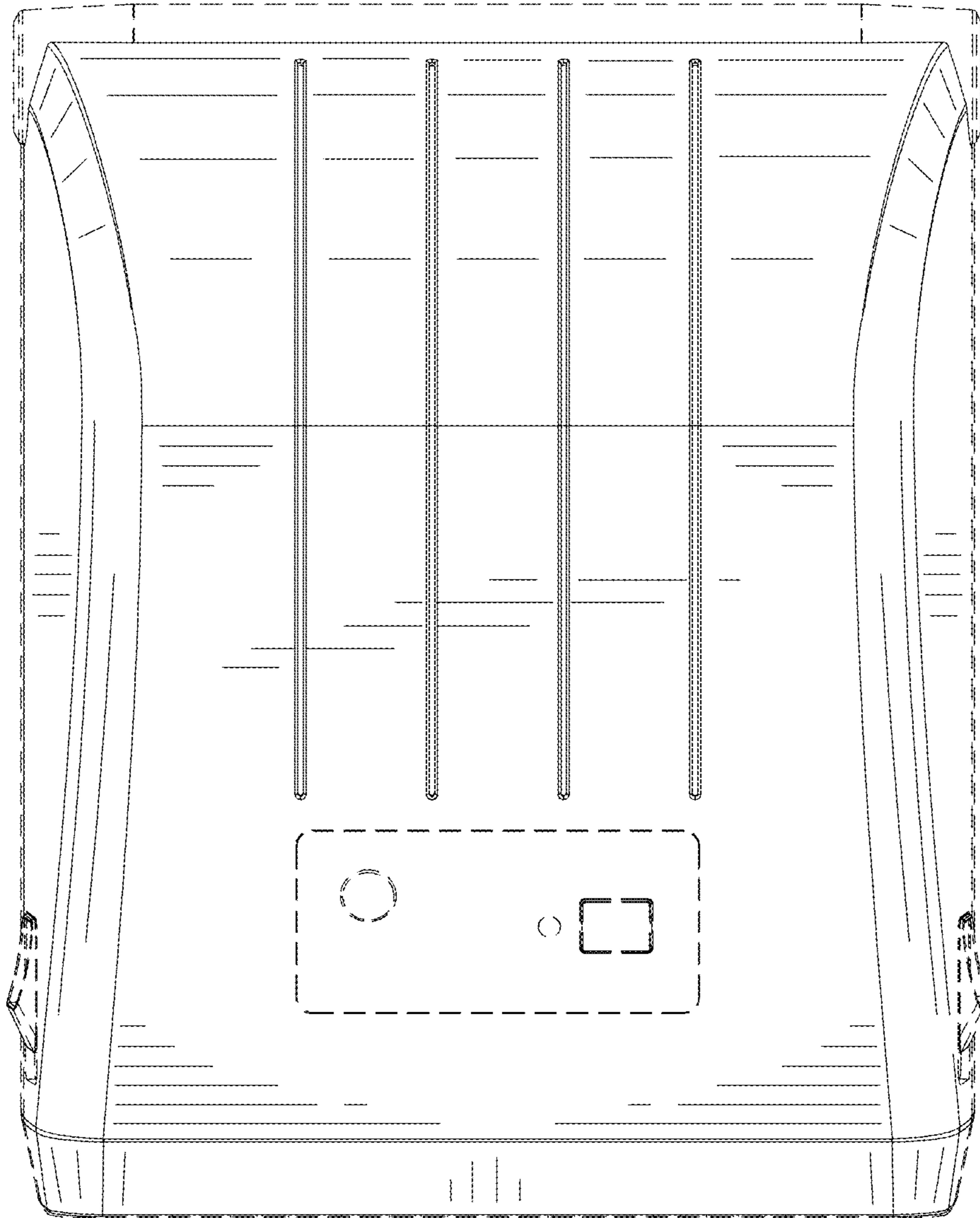


FIG. 5

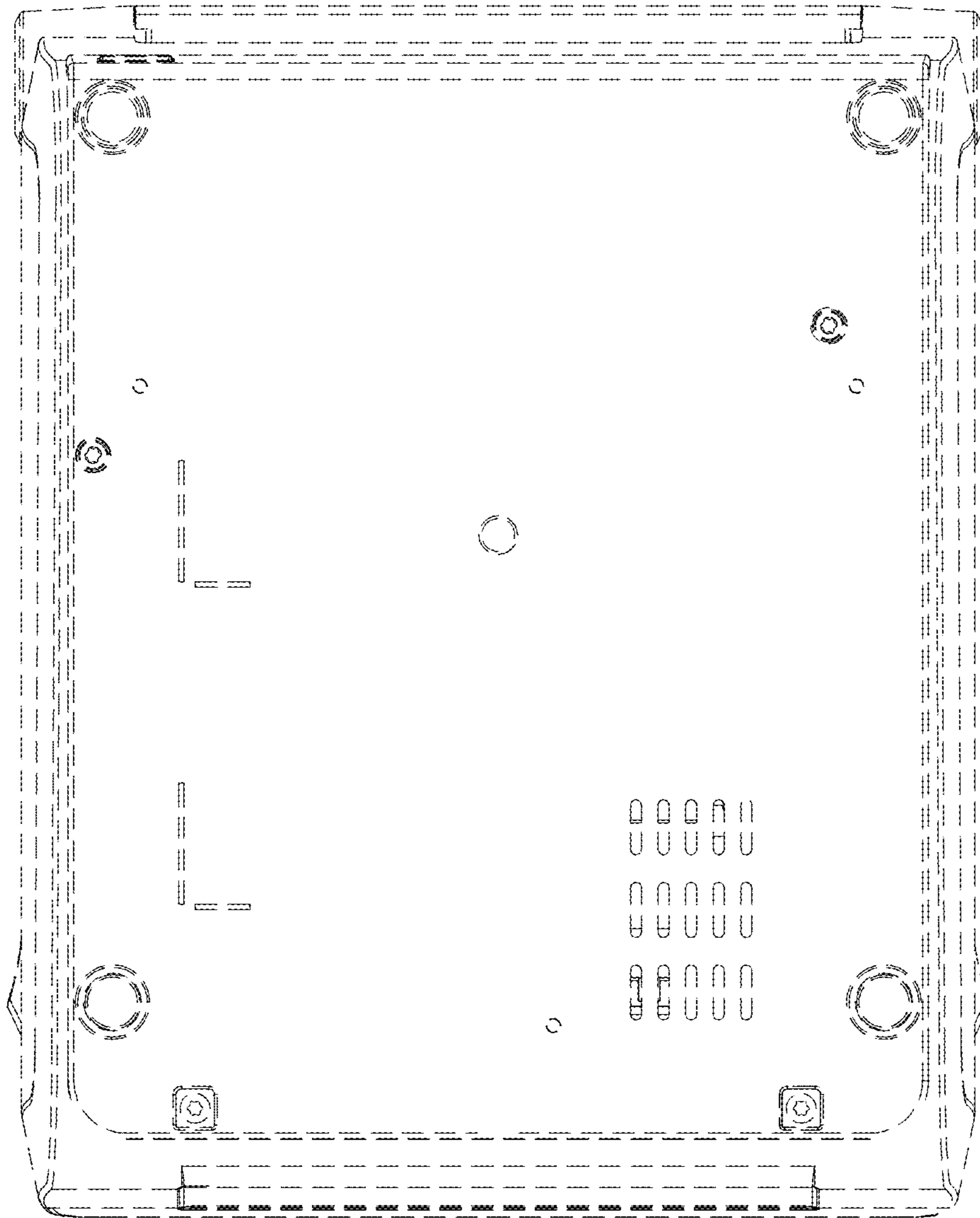


FIG. 6

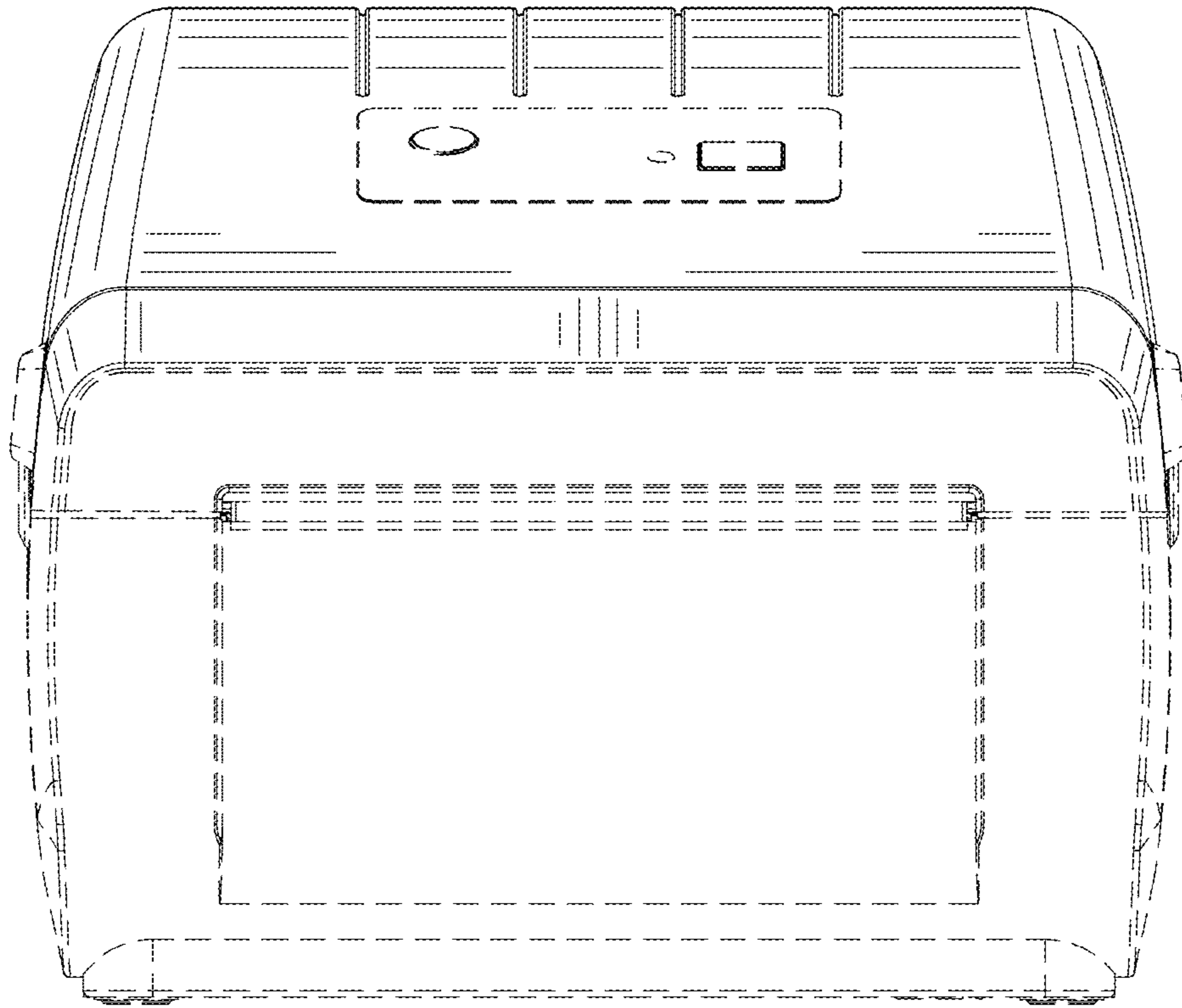


FIG. 7

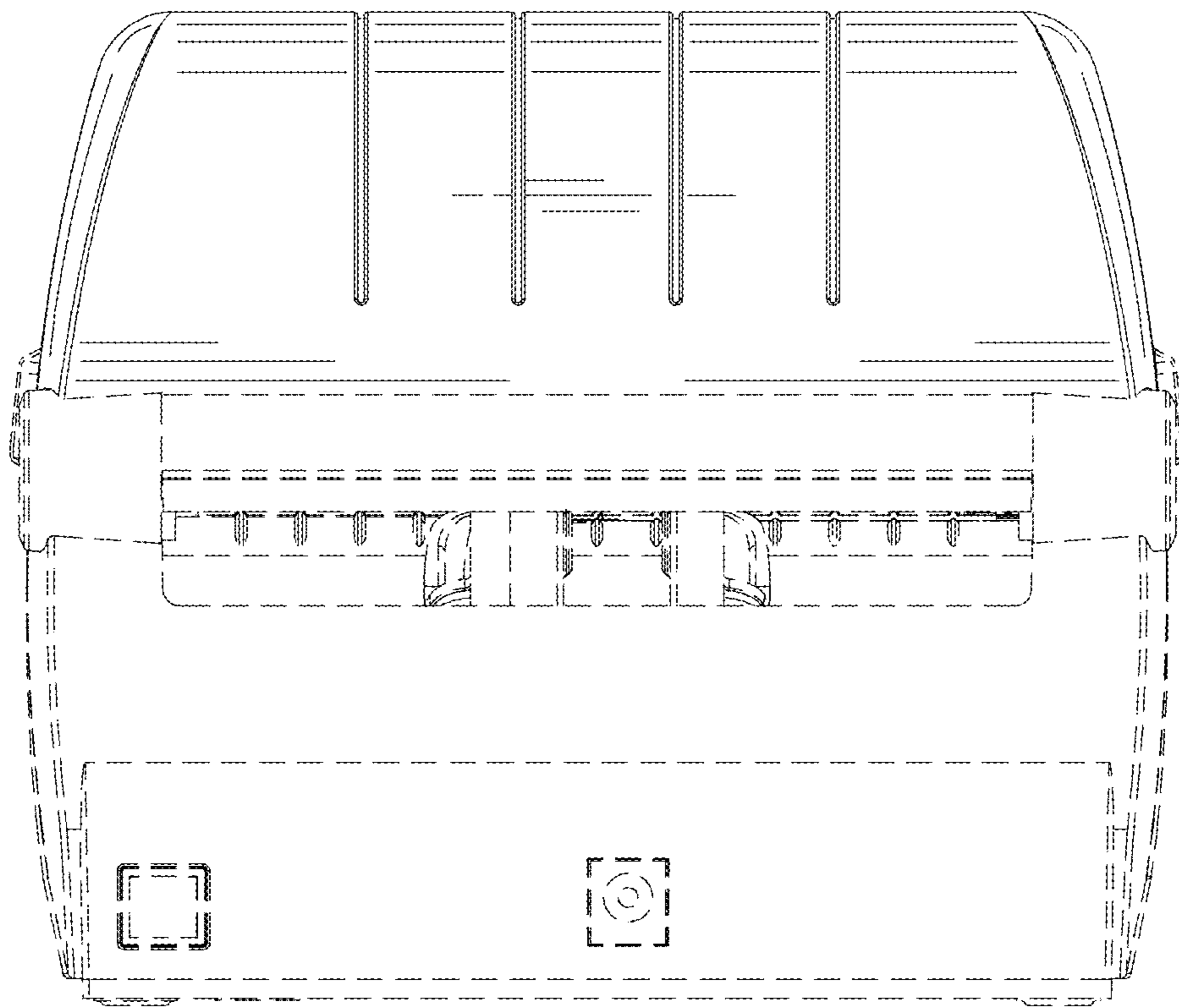


FIG. 8

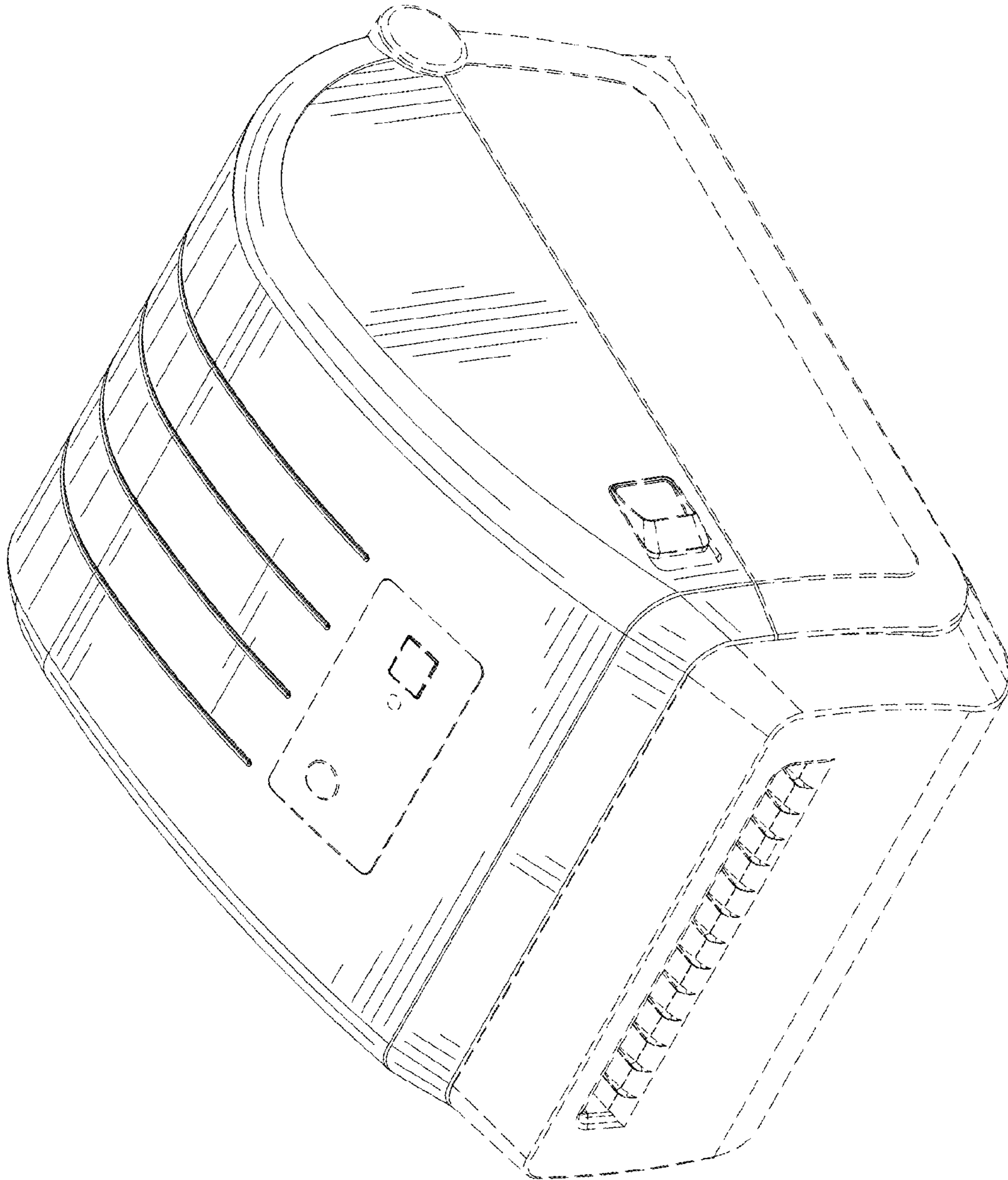


FIG. 9

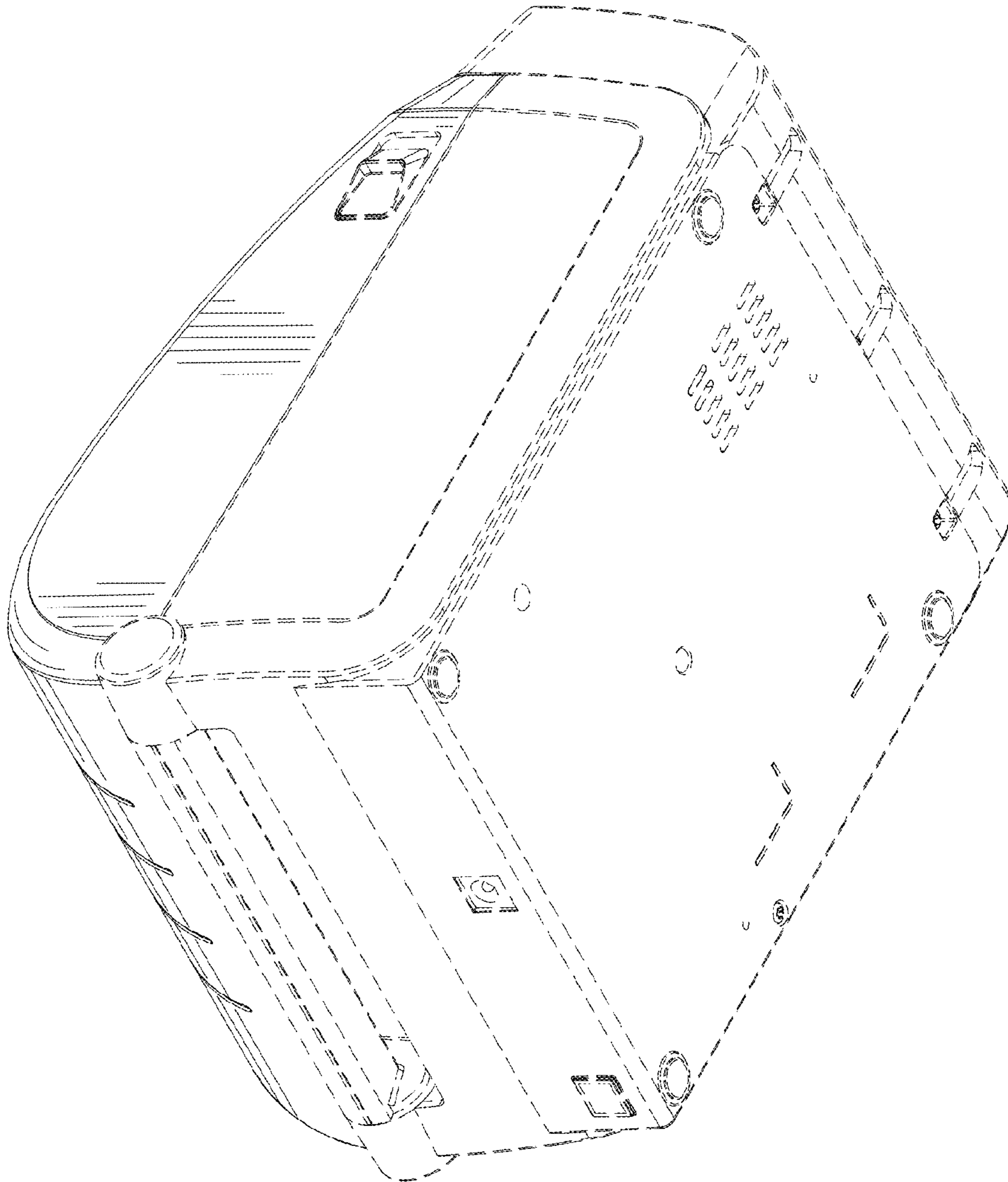


FIG. 10

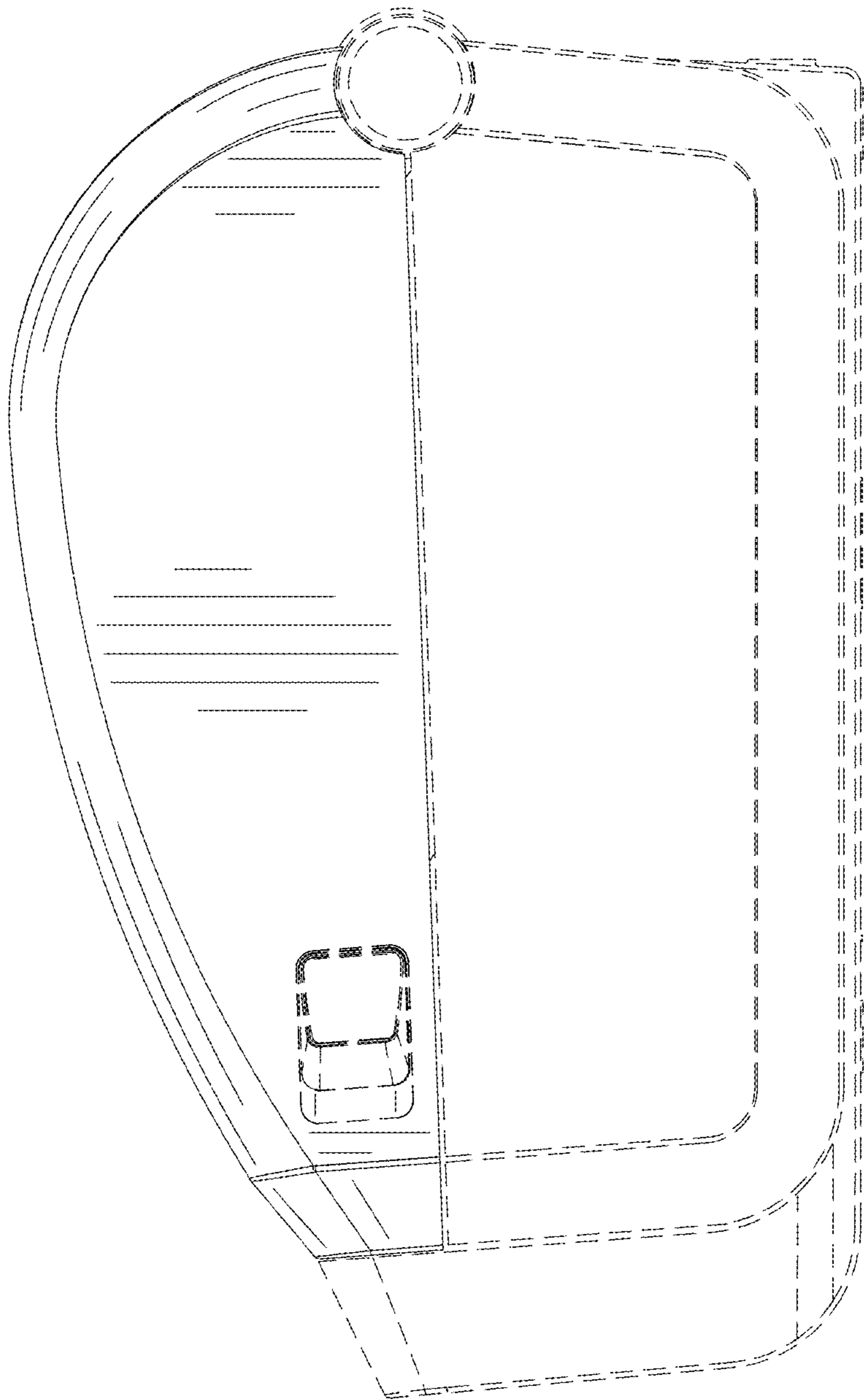


FIG. 11

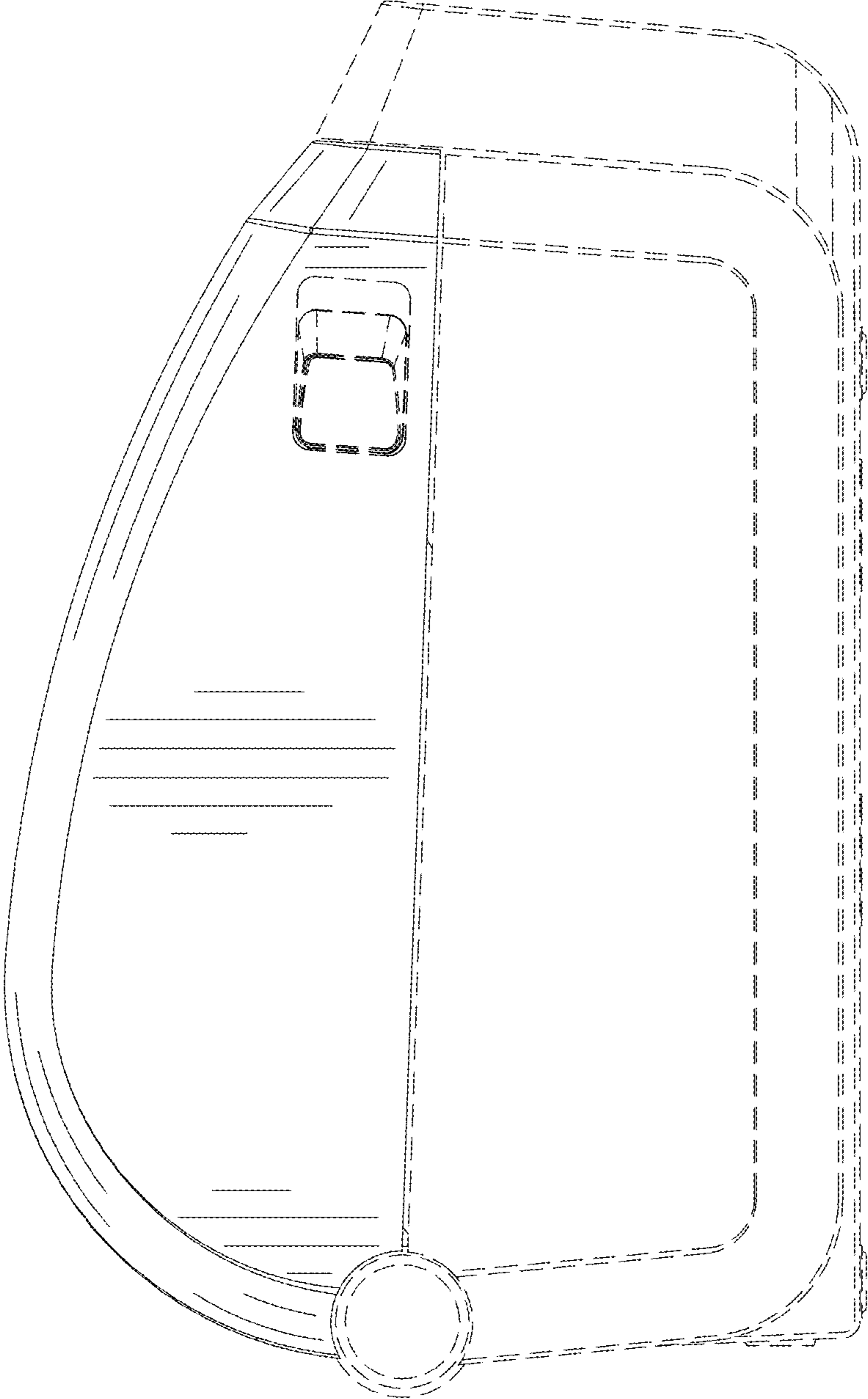


FIG. 12

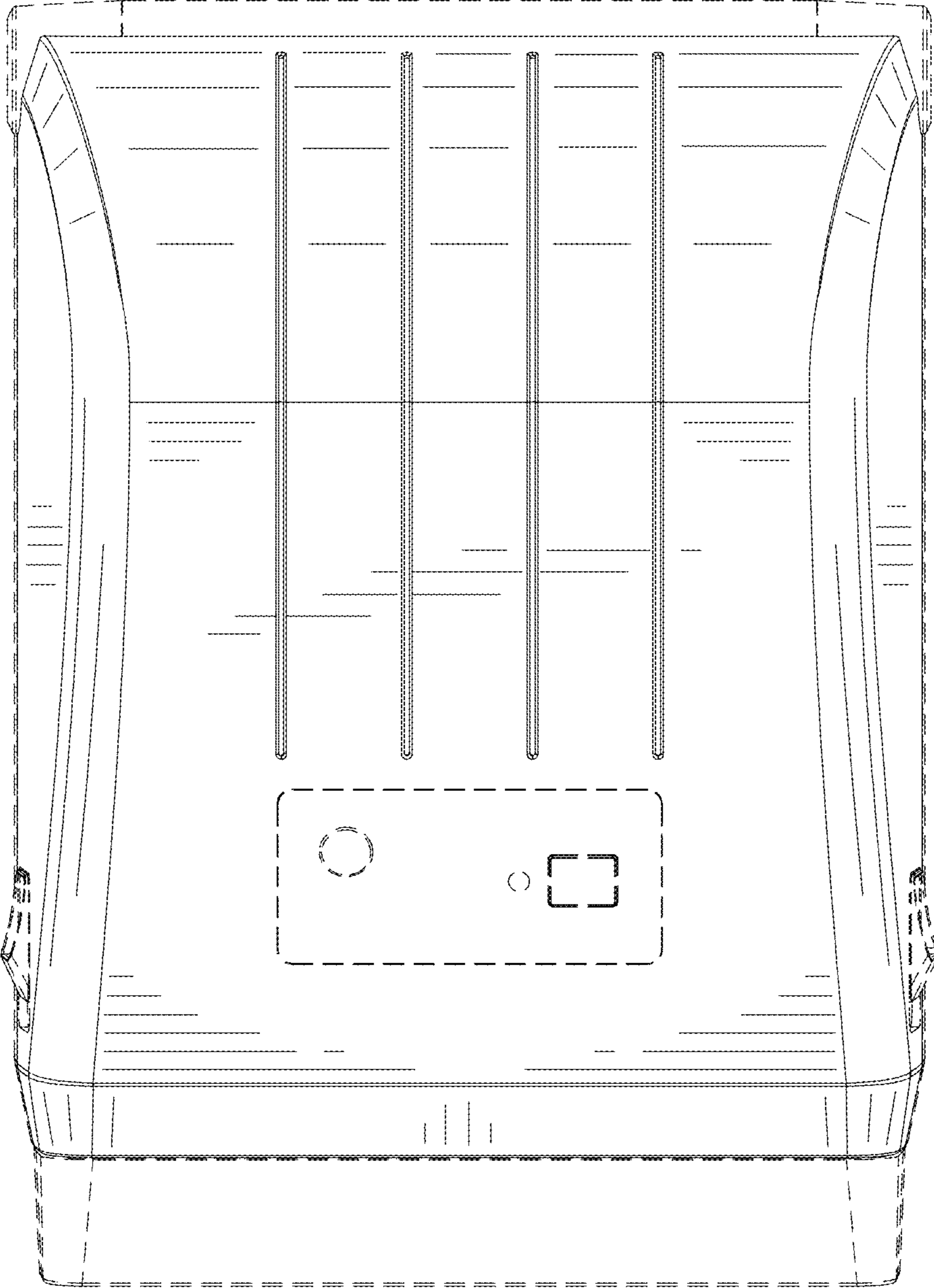


FIG. 13

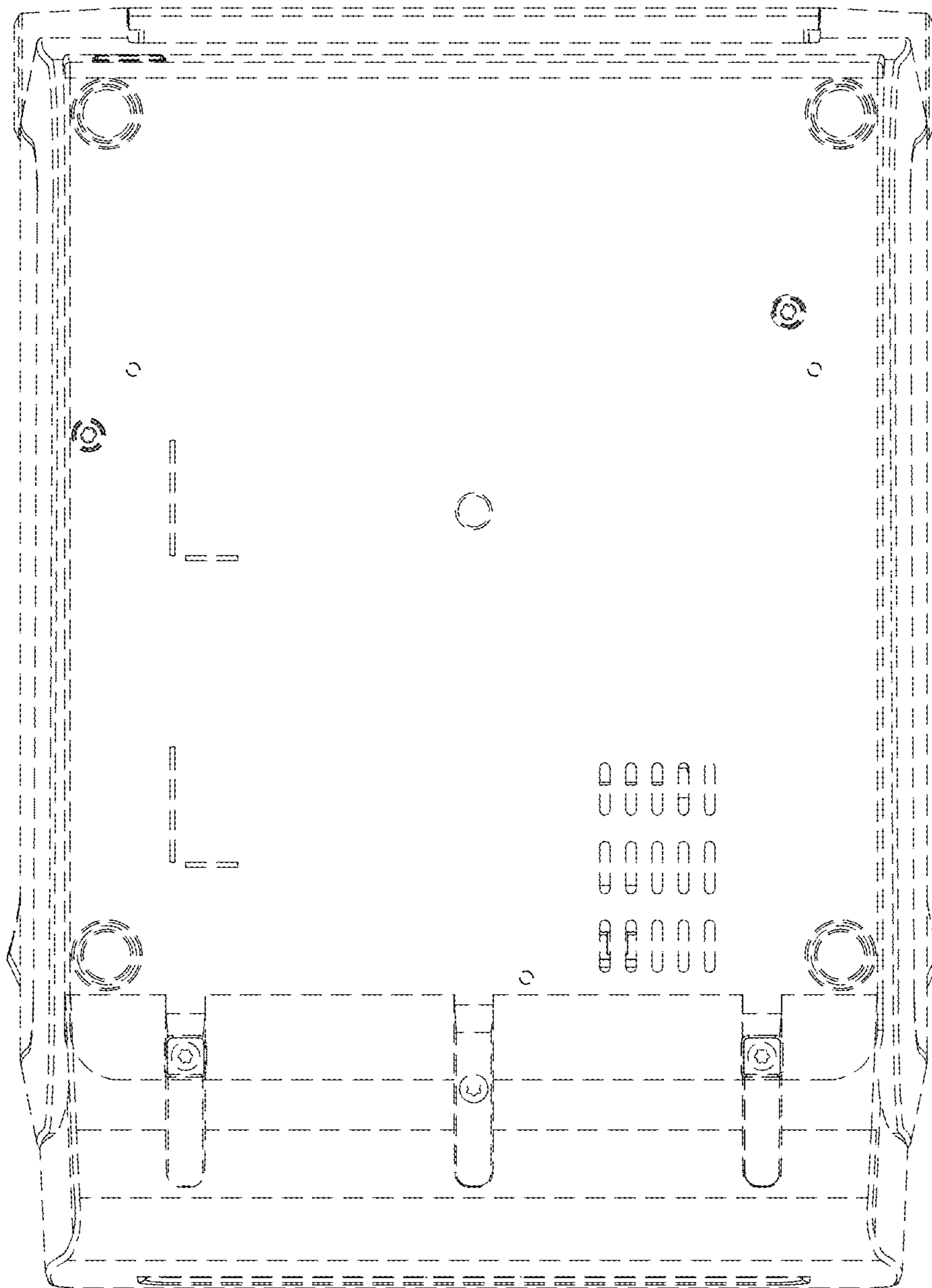


FIG. 14

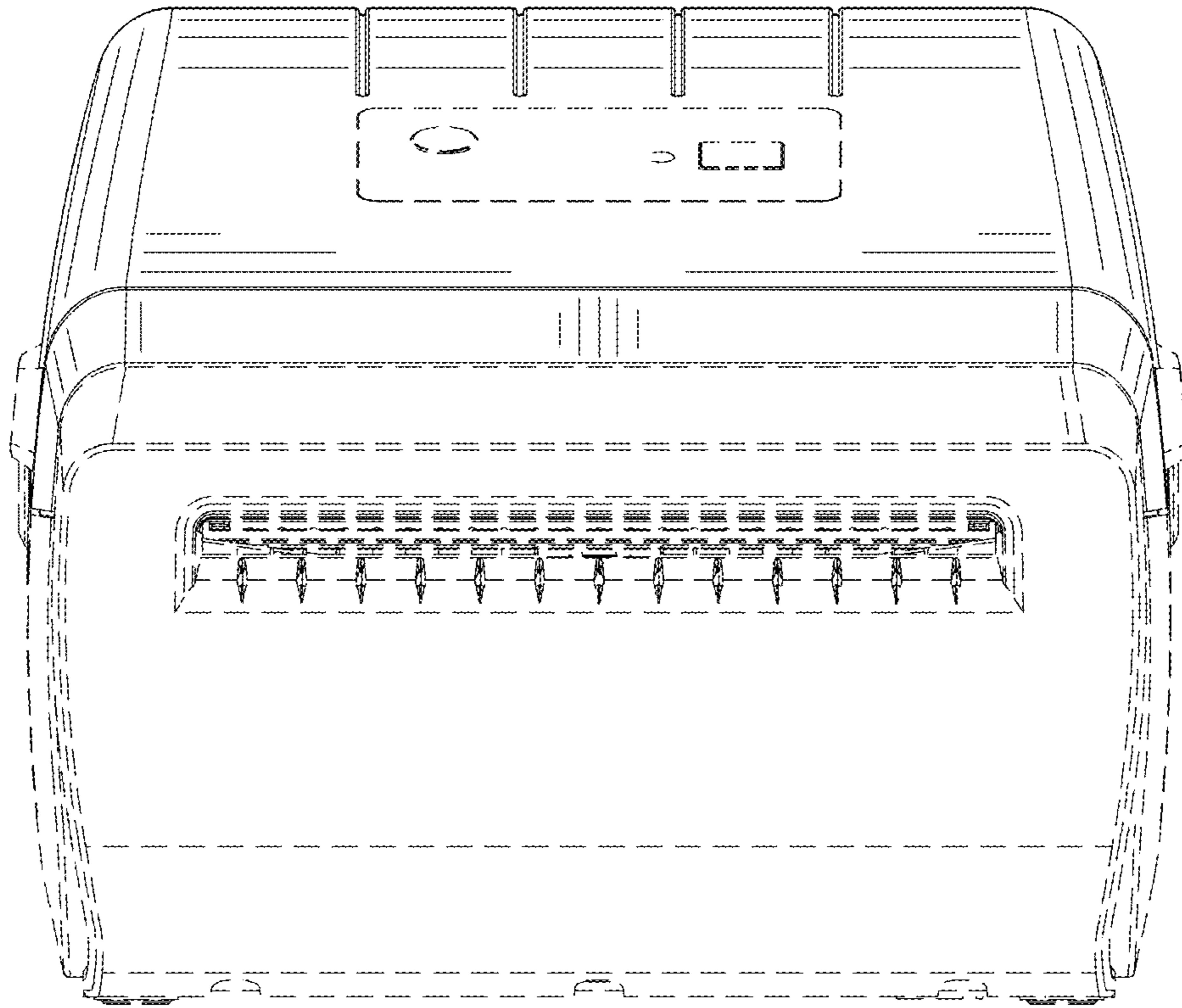


FIG. 15

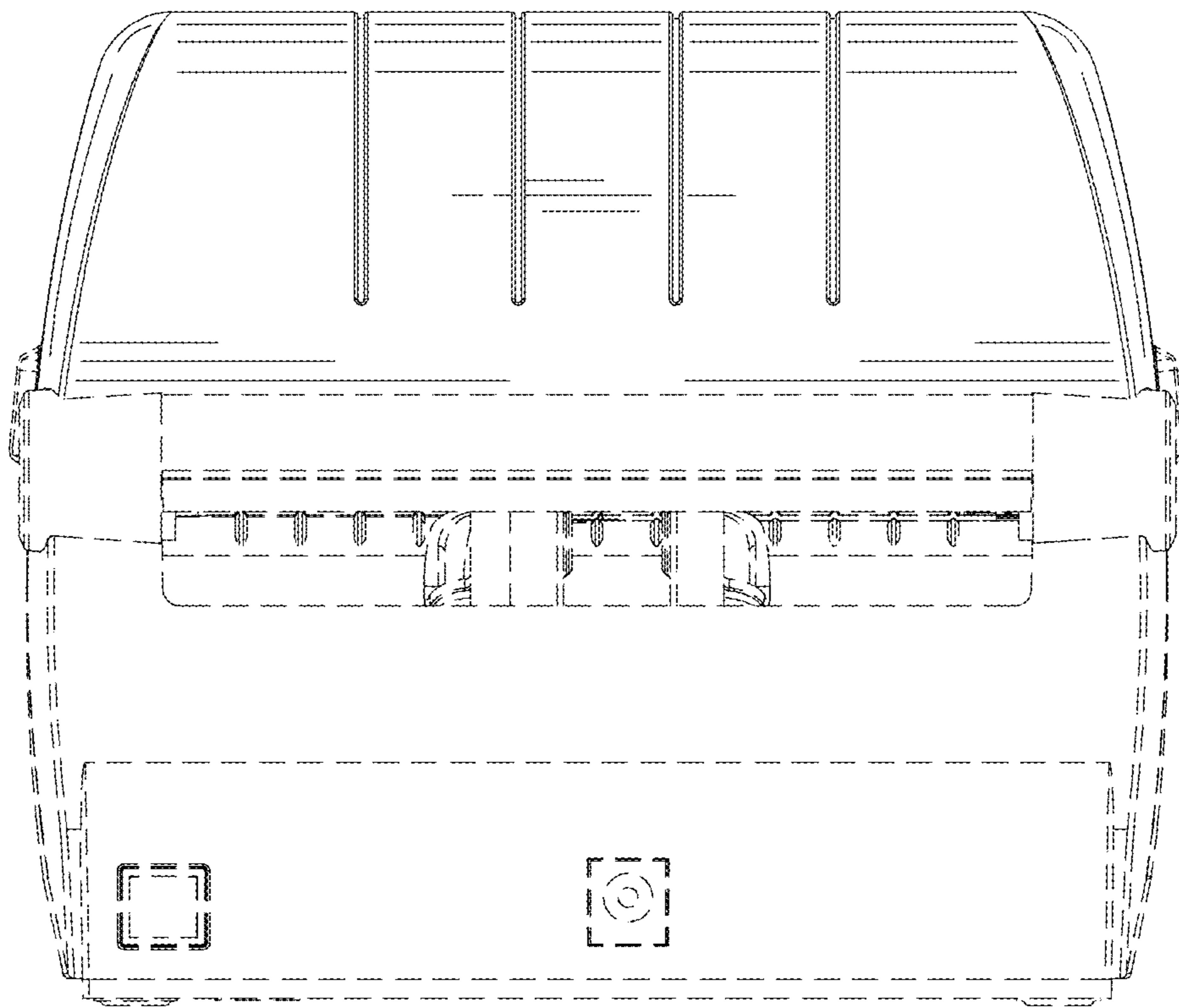


FIG. 16