



US00D893584S

(12) **United States Design Patent**
Henry

(10) **Patent No.:** **US D893,584 S**

(45) **Date of Patent:** **** Aug. 18, 2020**

- (54) **GLASSES**
- (71) Applicant: **Michael A. Henry**, Peekskill, NY (US)
- (72) Inventor: **Michael A. Henry**, Peekskill, NY (US)
- (**) Term: **15 Years**
- (21) Appl. No.: **29/679,804**
- (22) Filed: **Feb. 11, 2019**
- (51) **LOC (12) Cl.** **16-06**
- (52) **U.S. Cl.**
USPC **D16/319; D16/317; D16/321**
- (58) **Field of Classification Search**
USPC **D16/100, 101, 300, 305-329, 330, 331, 332-342**
D16/332-342
CPC **G02C 11/02; G02C 11/04**
See application file for complete search history.

(56) **References Cited**

U.S. PATENT DOCUMENTS

- 1,555,388 A * 9/1925 Schumacher G02C 5/00
351/51
- D144,289 S * 4/1946 Colwell D16/323
- 2,555,578 A * 6/1951 Davis G02C 11/02
351/52
- D204,695 S * 5/1966 Glass et al. D16/306
- 4,254,451 A * 3/1981 Cochran, Jr. A44C 15/0015
362/103
- D384,361 S * 9/1997 Karasawa D16/302
- D396,052 S * 7/1998 Stolt D16/306
- D427,959 S * 7/2000 Aguilar D12/191
- 6,325,507 B1 * 12/2001 Jannard G02B 27/0176
2/452

- 6,789,897 B2 * 9/2004 Smith A61F 9/029
351/159.01
- D742,957 S * 11/2015 Johnson-Stewart D16/300
- D801,419 S * 10/2017 Johnson D16/326
- D827,702 S * 9/2018 Jha D16/317
- D861,063 S * 9/2019 Jamin D16/317
- 2006/0132703 A1 * 6/2006 Grecco G02C 11/02
351/51
- 2009/0126248 A1 * 5/2009 Burnstein G02C 11/02
40/799
- 2013/0329180 A1 * 12/2013 Johnson G02C 11/02
351/52

* cited by examiner

Primary Examiner — Cathron C Brooks
Assistant Examiner — Sharon S Oum

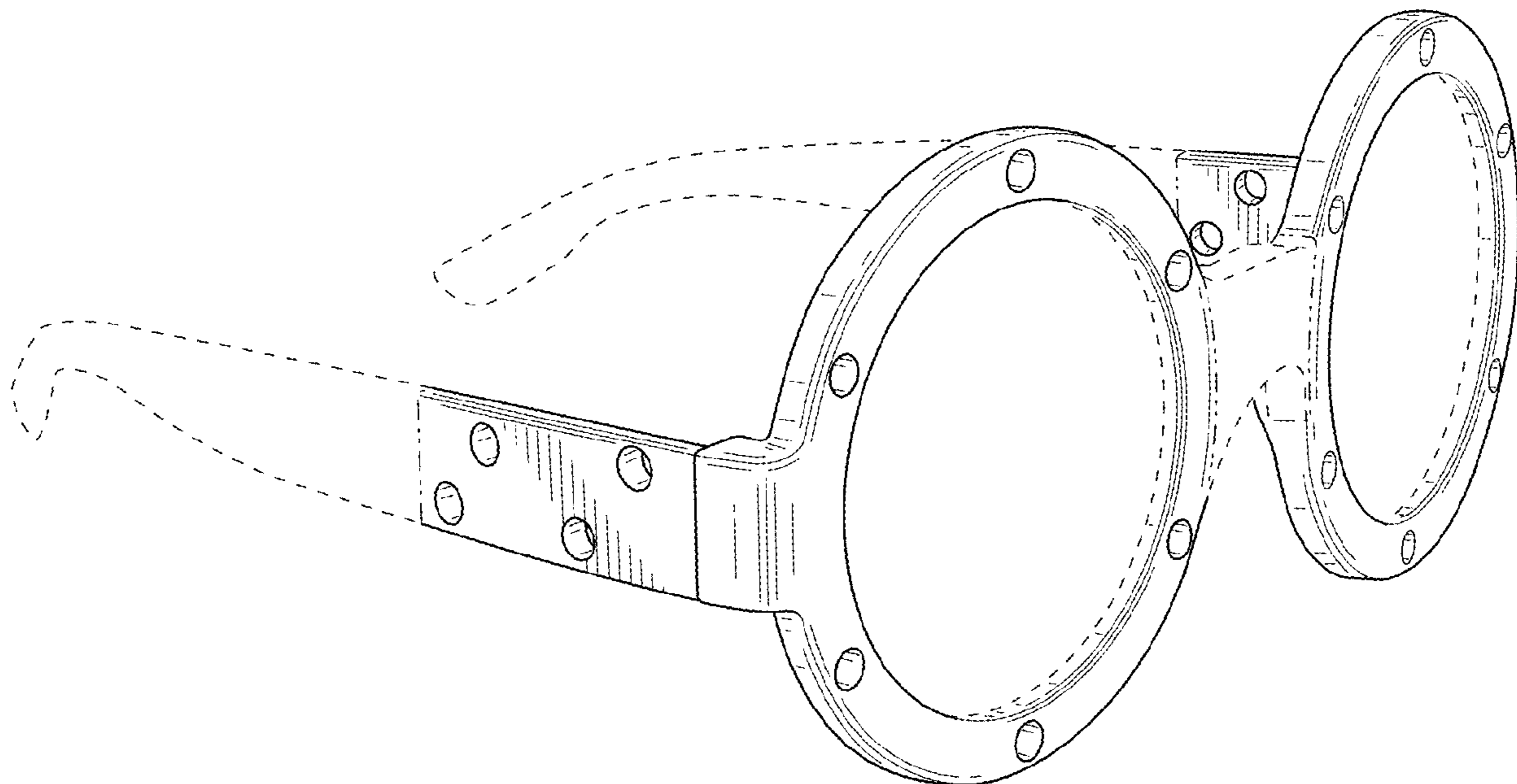
(57) **CLAIM**

The ornamental design for glasses, as shown and described.

DESCRIPTION

FIG. 1 is a front perspective view of glasses showing my new design;
 FIG. 2 is a front elevational view thereof;
 FIG. 3 is a rear elevational view thereof;
 FIG. 4 is a top elevational view thereof;
 FIG. 5 is a bottom elevational view thereof;
 FIG. 6 is a right elevational view thereof;
 FIG. 7 is a left elevational view thereof; and,
 FIG. 8 is a rear perspective view thereof.
 The dash-dot-dot-dash broken lines in the drawings define the bounds of the claimed design. The dash-dash broken lines in the drawings are directed to portions of the glasses. None of the broken lines form part of the claimed design.

1 Claim, 8 Drawing Sheets



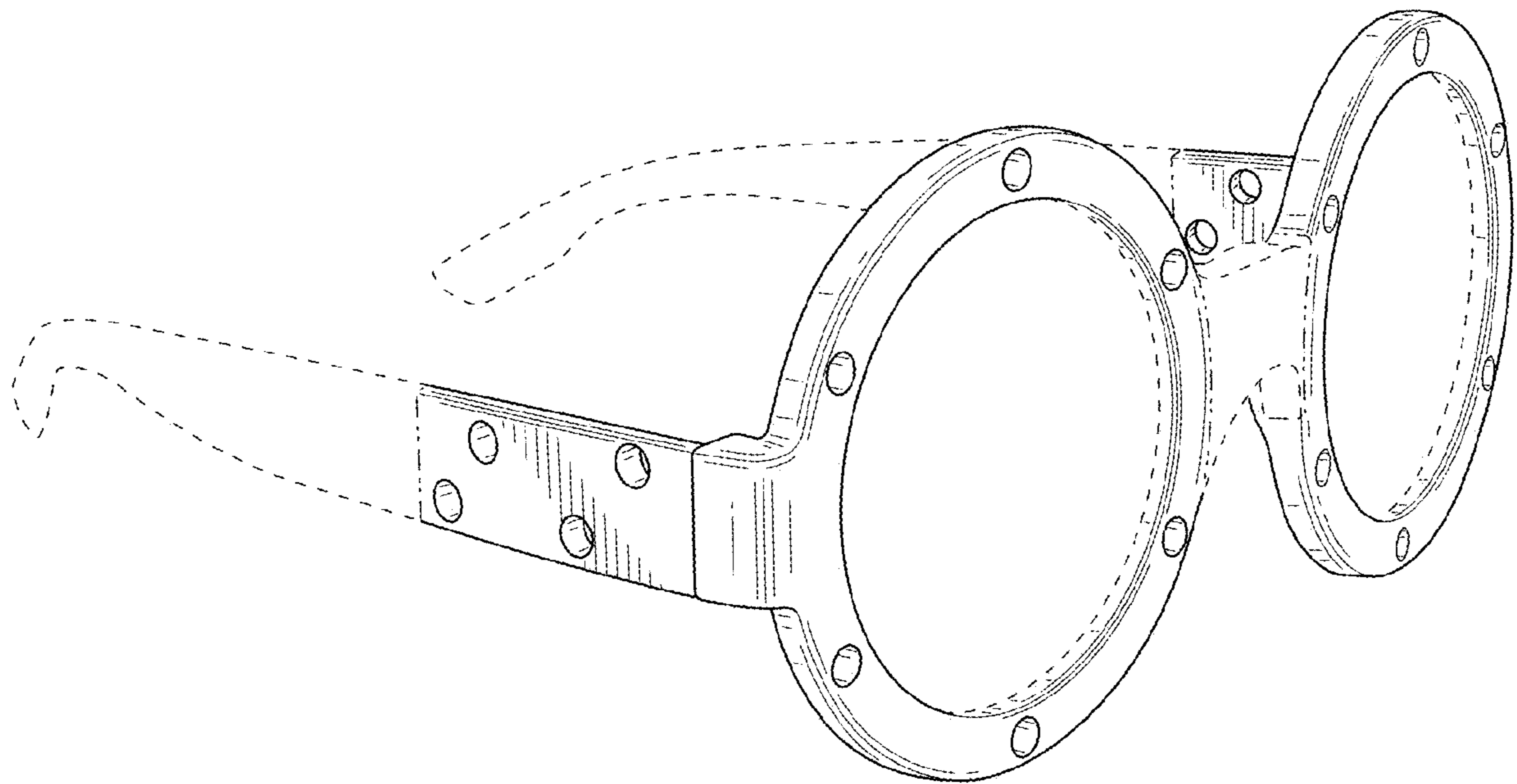


FIG. 1

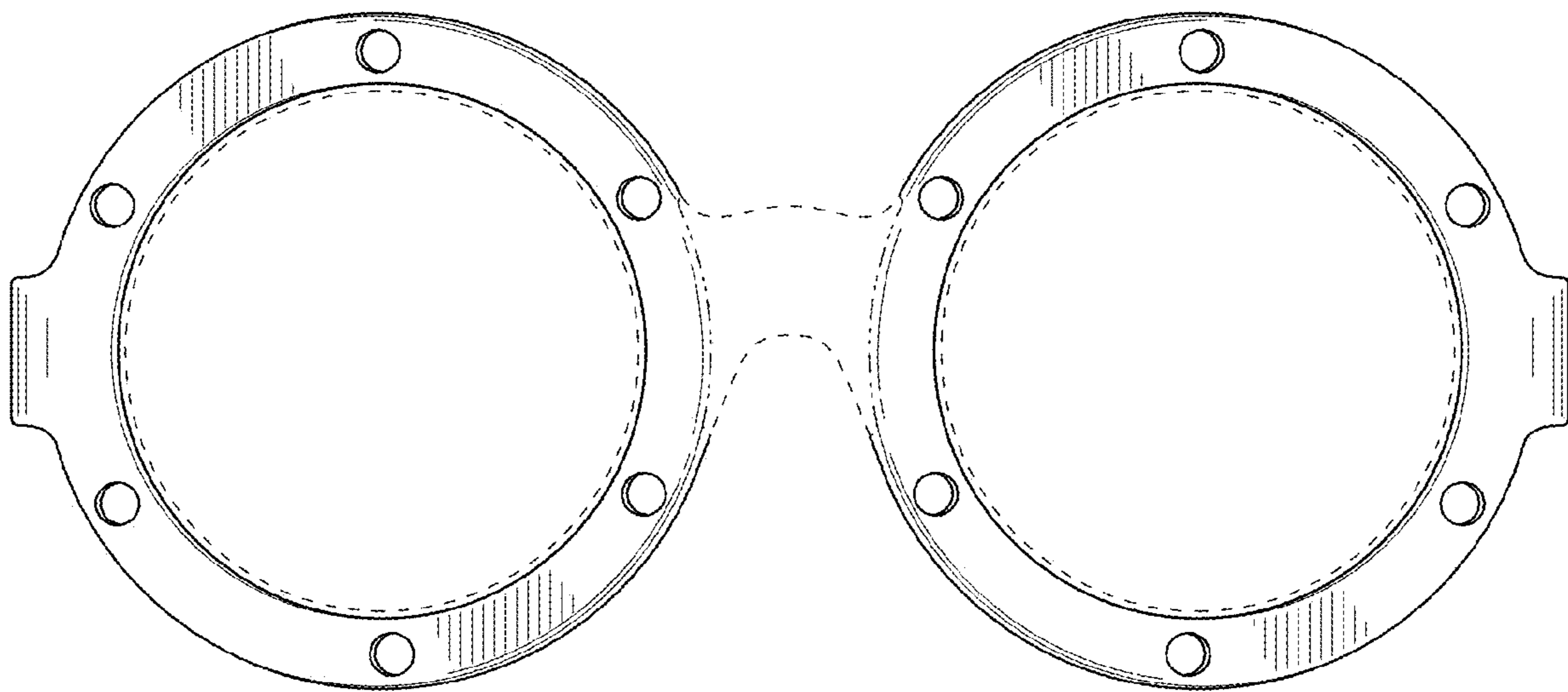


FIG. 2

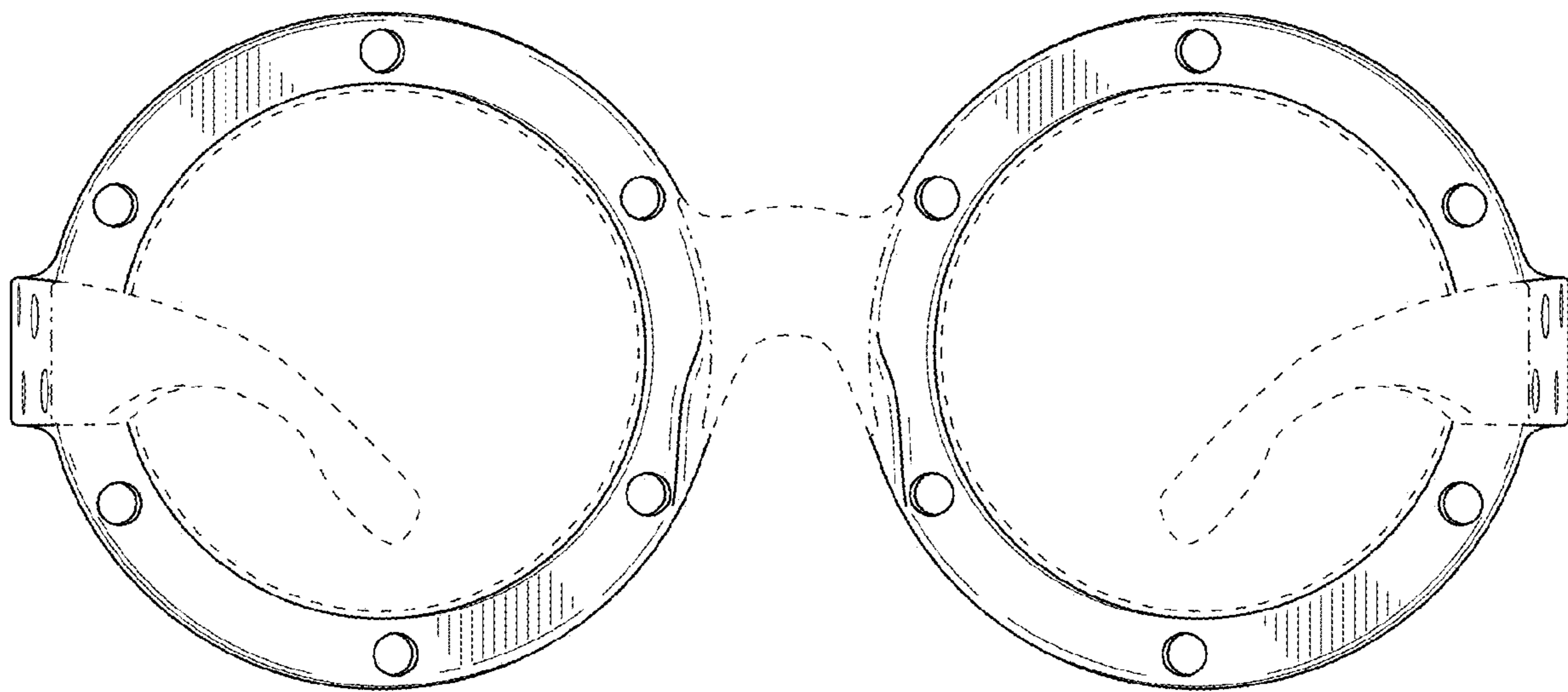


FIG. 3

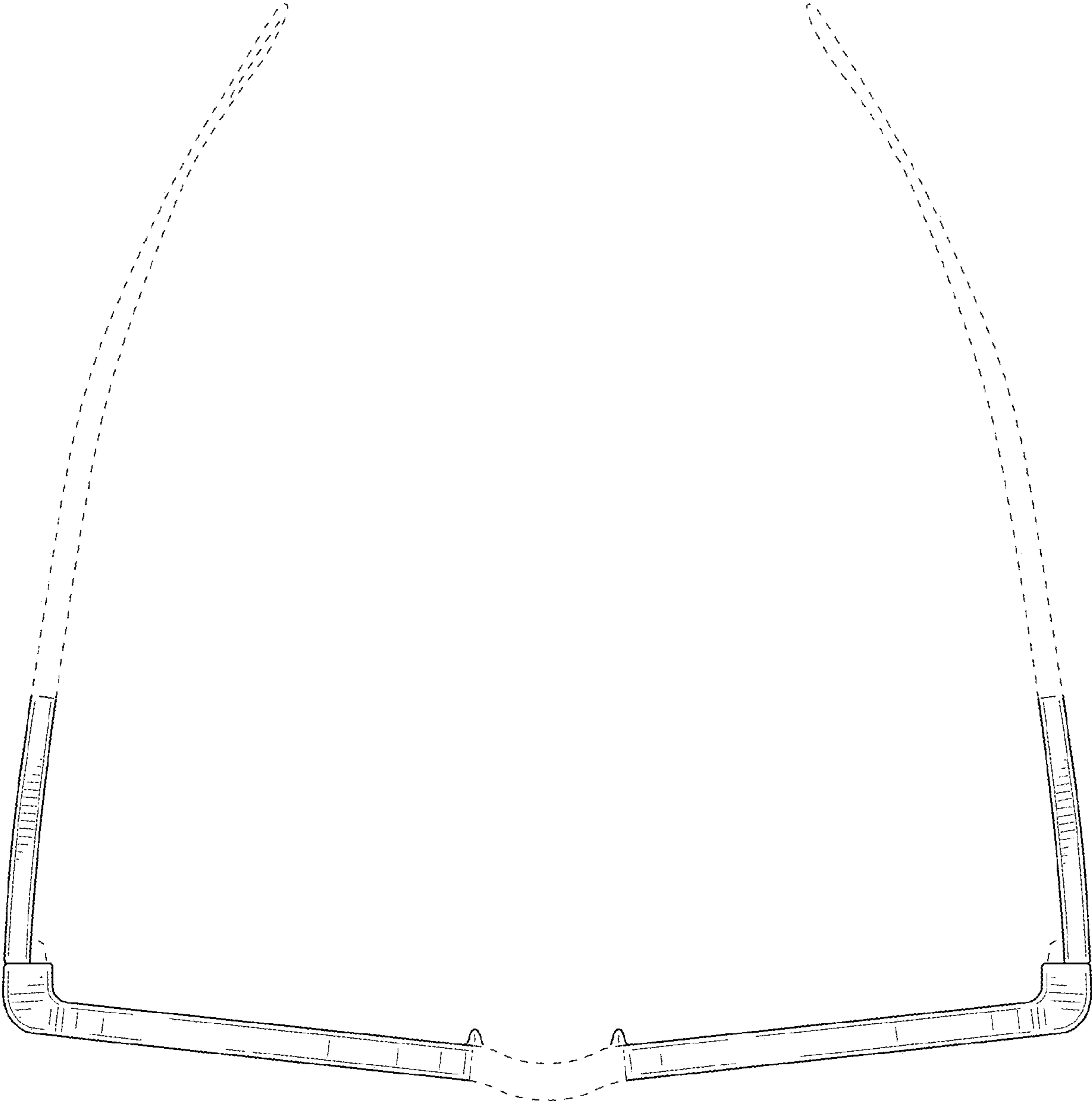


FIG. 4

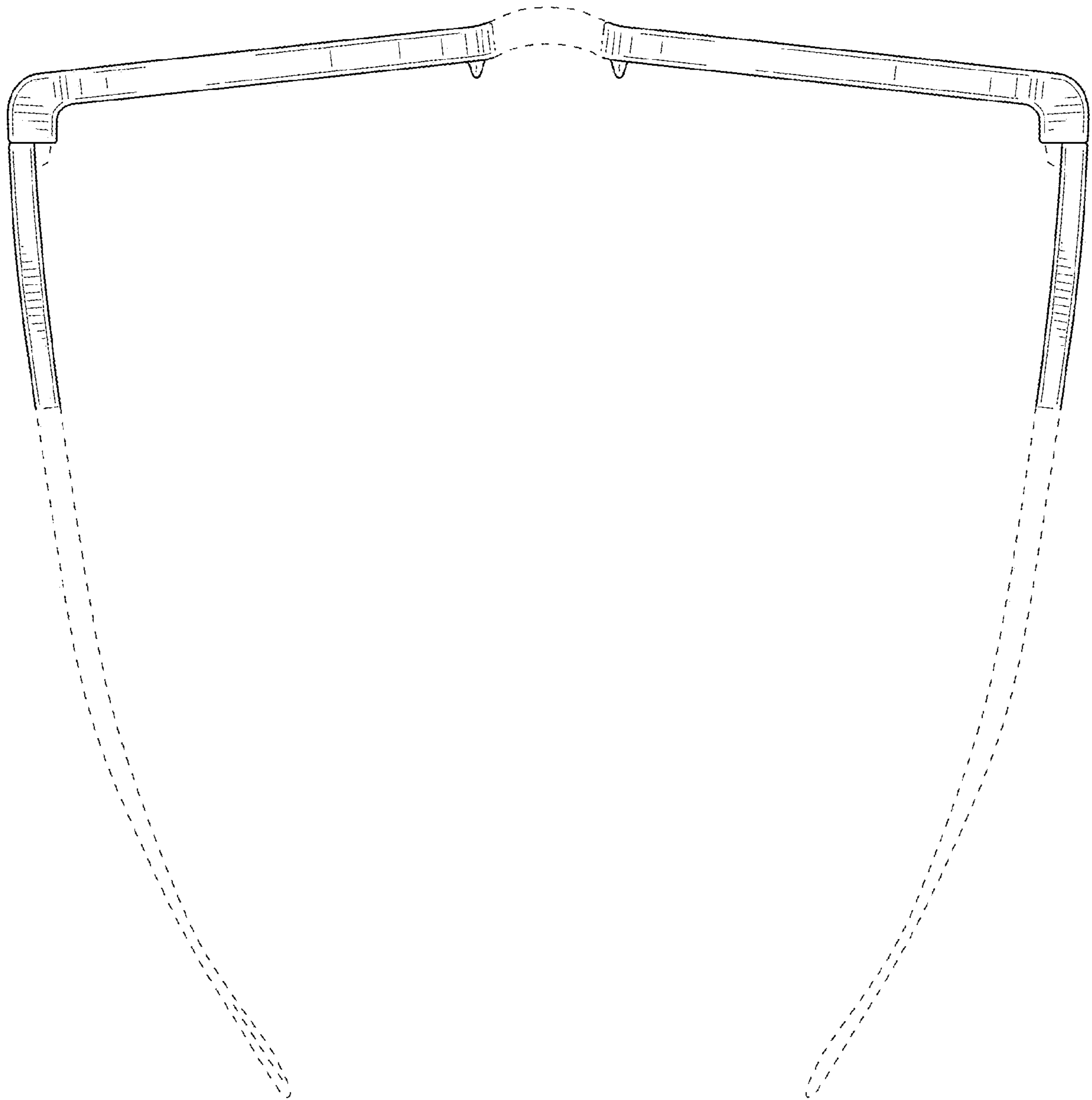


FIG. 5

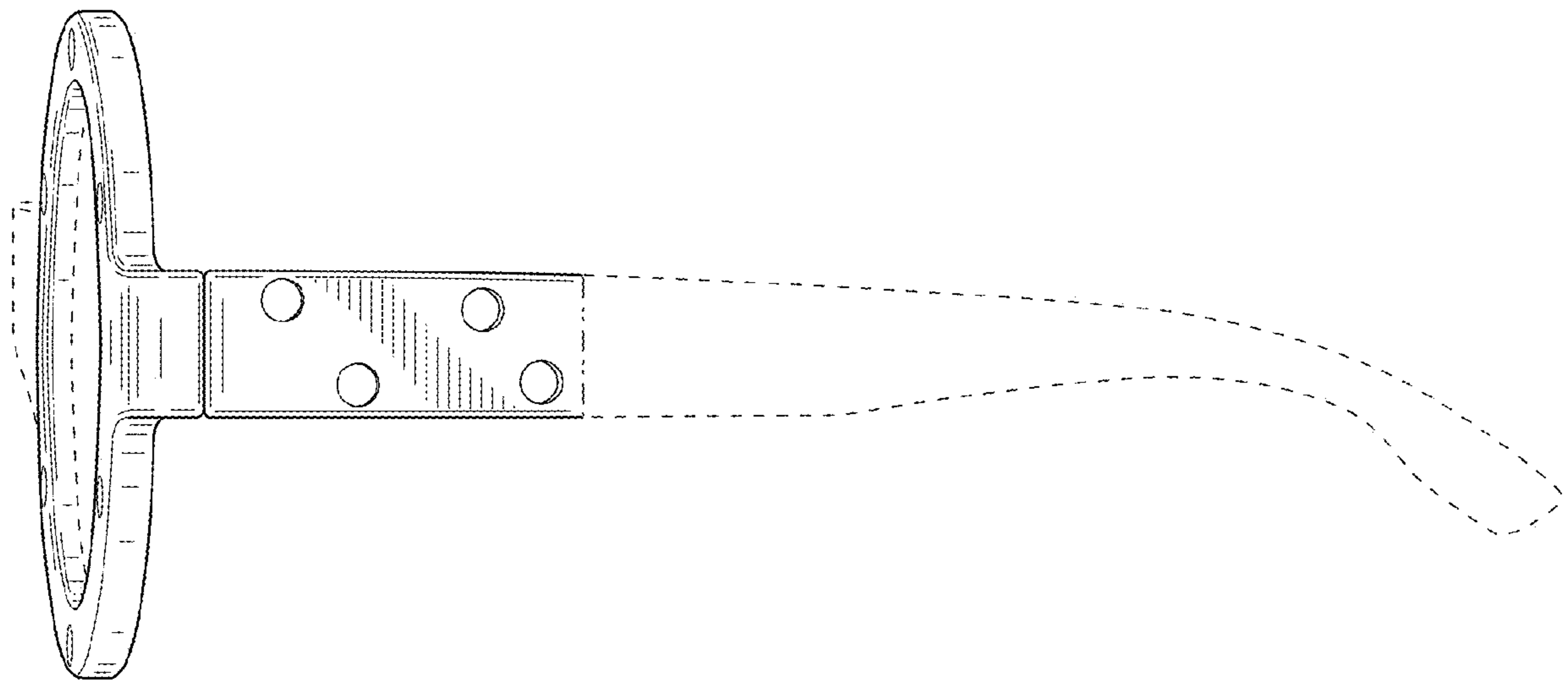


FIG. 6

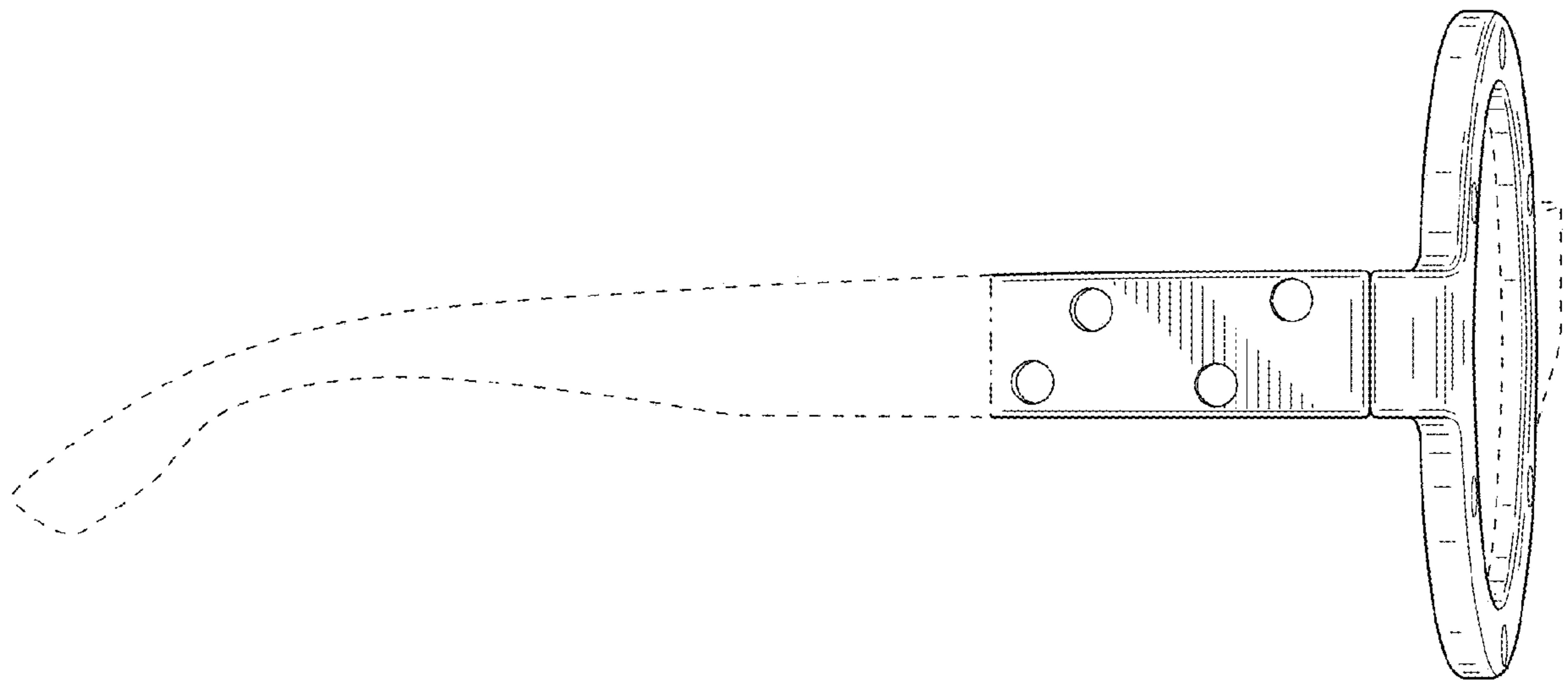


FIG. 7

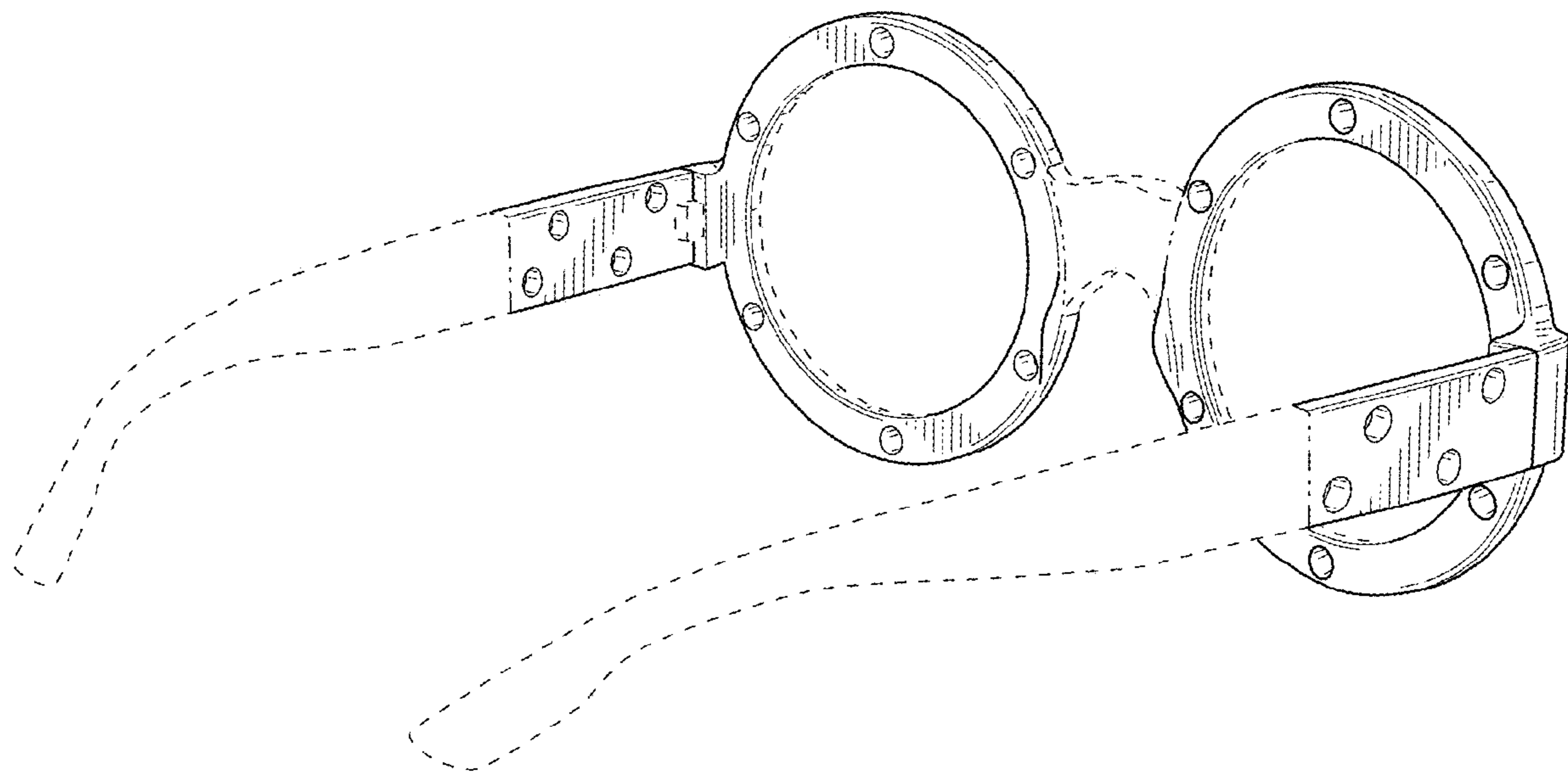


FIG. 8