



US00D893583S

(12) **United States Design Patent** (10) **Patent No.:** **US D893,583 S**
Yeomans et al. (45) **Date of Patent:** **** Aug. 18, 2020**

(54) **SWIMMING GOGGLES**
(71) Applicant: **adidas AG**, Herzogenaurach (DE)
(72) Inventors: **Deborah Yeomans**, Herzogenaurach (DE); **Iain James Sabberton**, Cambridge (GB)
(73) Assignee: **adidas AG**, Herzogenaurach (DE)

D665,443 S * 8/2012 Kitamura D16/303
D695,334 S * 12/2013 Waller D16/311
D703,728 S * 4/2014 Donovan D16/303
D723,612 S * 3/2015 Chiang D16/303
D809,055 S * 1/2018 Tracy D16/311
D839,952 S * 2/2019 Chiang D16/311
D867,438 S * 11/2019 Haaber D16/311
2008/0072366 A1 * 3/2008 Fukasawa A63B 33/002
2/445

(**) Term: **15 Years**

(21) Appl. No.: **29/673,346**

(22) Filed: **Dec. 13, 2018**

(30) **Foreign Application Priority Data**

Jun. 14, 2018 (EM) 005310216-0001
Jun. 14, 2018 (EM) 005310216-0002
Jun. 14, 2018 (EM) 005310216-0003
Jun. 14, 2018 (EM) 005310216-0004
Jun. 14, 2018 (EM) 005310216-0005
Jun. 14, 2018 (EM) 005310216-0006
Jun. 14, 2018 (EM) 005310216-0007
Jun. 14, 2018 (EM) 005310216-0008
Jun. 14, 2018 (EM) 005310216-0009
Jun. 14, 2018 (EM) 005310216-0010
Jun. 14, 2018 (EM) 005310216-0011

(51) **LOC (12) Cl.** **16-06**

(52) **U.S. Cl.**
USPC **D16/303; D16/311**

(58) **Field of Classification Search**
USPC D16/100, 300, 303, 322, 326, 327, 311
CPC A61F 9/02
See application file for complete search history.

(56) **References Cited**

U.S. PATENT DOCUMENTS

D470,881 S * 2/2003 Minamidani D16/311
D648,371 S * 11/2011 Chiang D16/303

OTHER PUBLICATIONS

Adidas Adizero XX Mirrored Competition Swim Goggles, posted at adidas.com, posting date not given, [online], [site visited Apr. 10, 2020]. Available from Internet, URL: <https://www.adidas.com/us/adizero-xx-mirrored-competition-swim-goggles/FJ4800.html> (Year: 2020).*

(Continued)

Primary Examiner — George D. Kirschbaum
Assistant Examiner — Maria J Edwards
(74) *Attorney, Agent, or Firm* — Sterne, Kessler, Goldstein & Fox P.L.L.C.

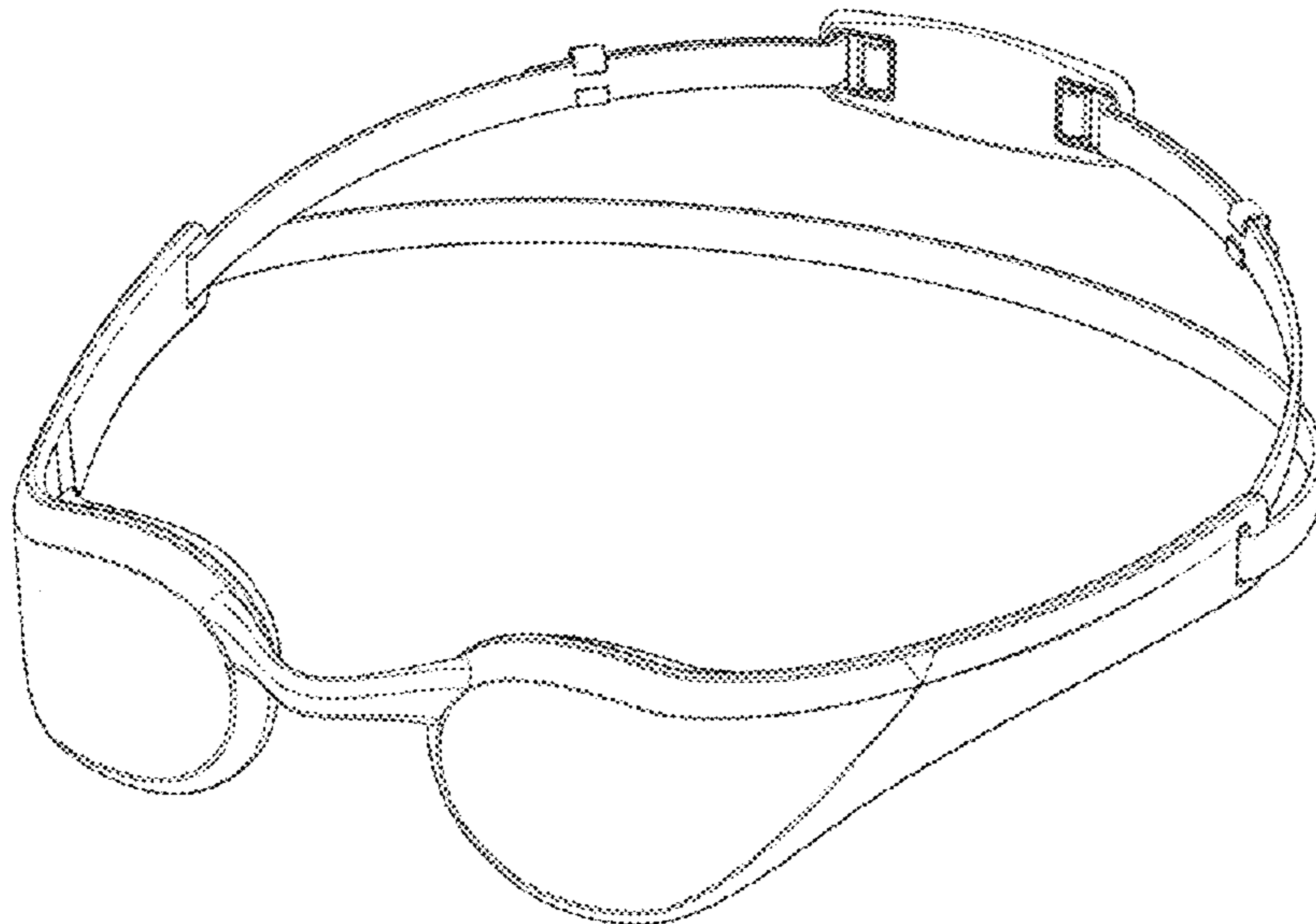
(57) **CLAIM**

The ornamental design for swimming goggles, as shown and described.

DESCRIPTION

FIG. 1 is a top right perspective view of swimming goggles showing the claimed design;
FIG. 2 is a front view thereof;
FIG. 3 is a rear view thereof;
FIG. 4 is a left side view thereof;
FIG. 5 is a right side view thereof;
FIG. 6 is a top view thereof; and,
FIG. 7 is a bottom view thereof.

1 Claim, 7 Drawing Sheets



(56)

References Cited

OTHER PUBLICATIONS

Adidas Adizero XX Unmirrored Competition Swim Goggles, posted at [adidas.co.uk](https://www.adidas.co.uk/adizero-xx-unmirrored-competition-swim-goggles/FJ4802.html), posting date not given, [online], [site visited Apr. 10, 2020]. Available from Internet, URL: <https://www.adidas.co.uk/adizero-xx-unmirrored-competition-swim-goggles/FJ4802.html> (Year: 2020).*

Arena Cobra Ultra Competition swimming goggle, posted at [shop4swimming.ch](https://www.shop4swimming.ch/en/competition-swimming-goggle-cobra-ultra-from-arena-011201), posting date not given, [online], [site visited Apr. 10, 2020]. Available from Internet, URL: <https://www.shop4swimming.ch/en/competition-swimming-goggle-cobra-ultra-from-arena-011201> (Year: 2020).*

Speedo Fastskin Elite swimming goggles, posted at [aquagear.com](https://www.aquagear.com/blog/the-6-best-swim-goggles-for-competition/), posting date Dec. 28, 2017, [online], [site visited Apr. 10, 2020]. Available from Internet, URL: <https://www.aquagear.com/blog/the-6-best-swim-goggles-for-competition/> (Year: 2017).*

* cited by examiner

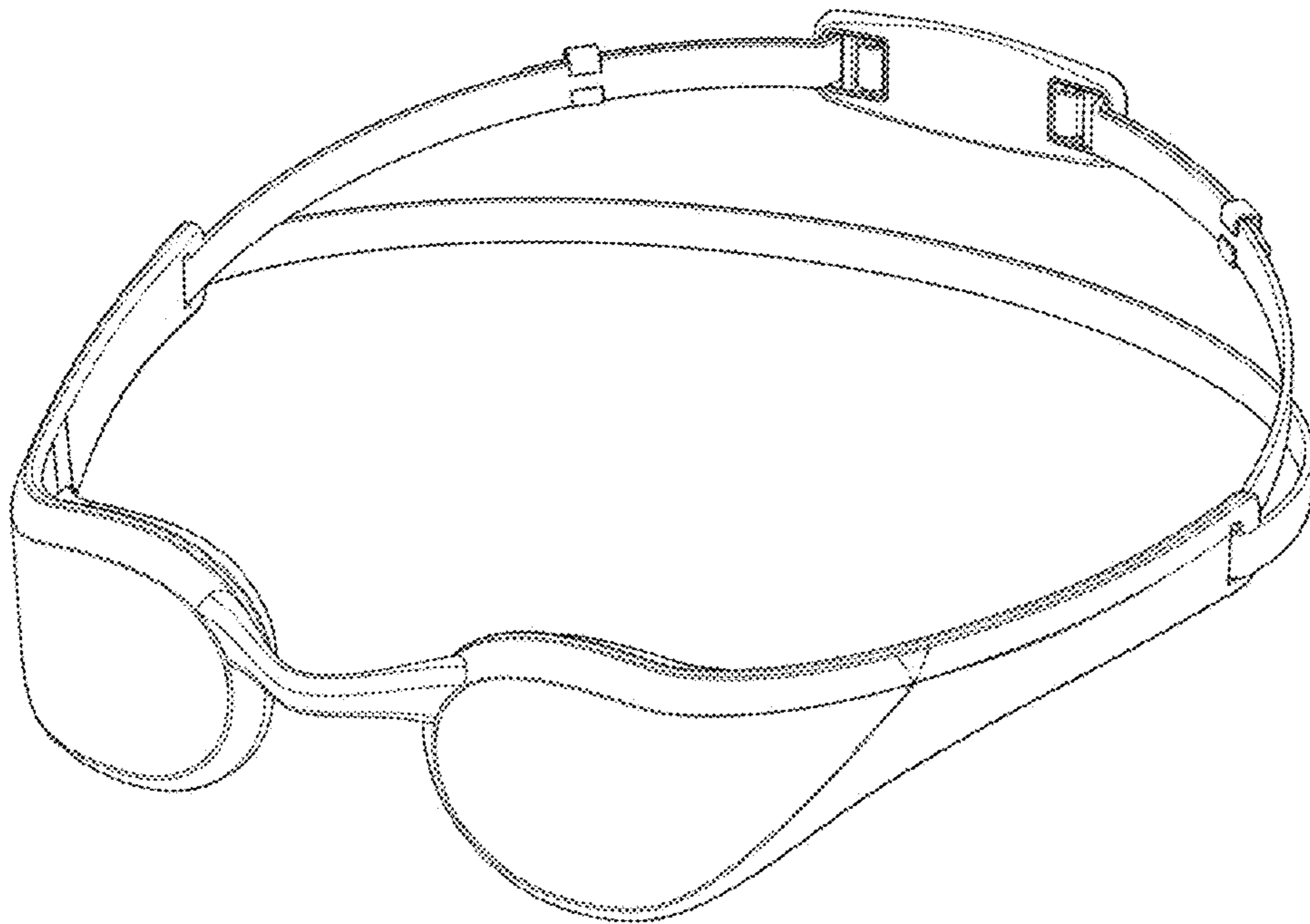


FIG. 1

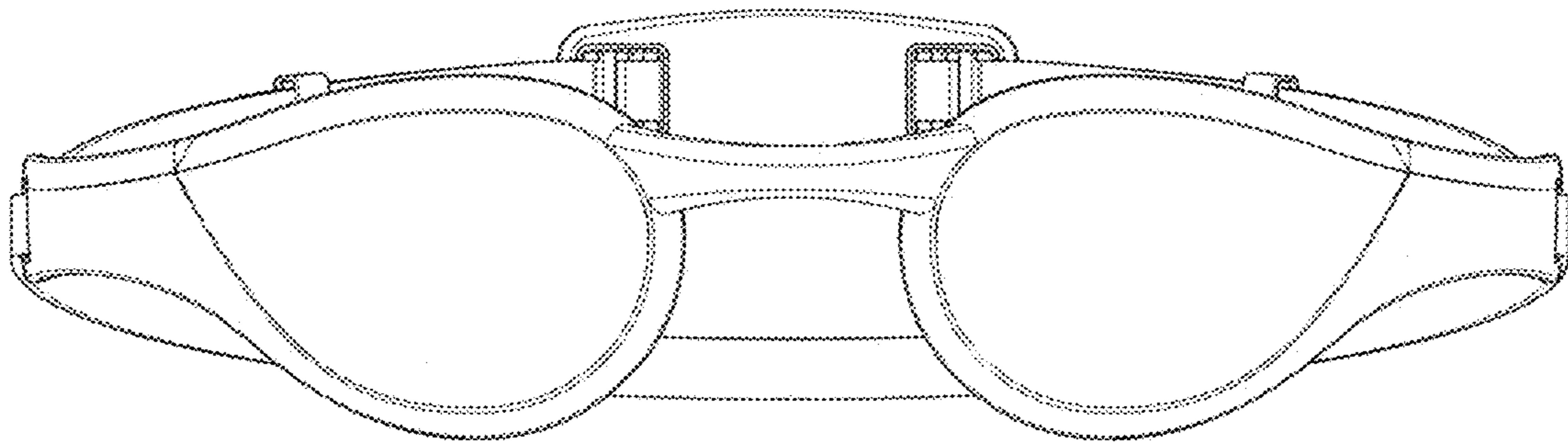


FIG. 2

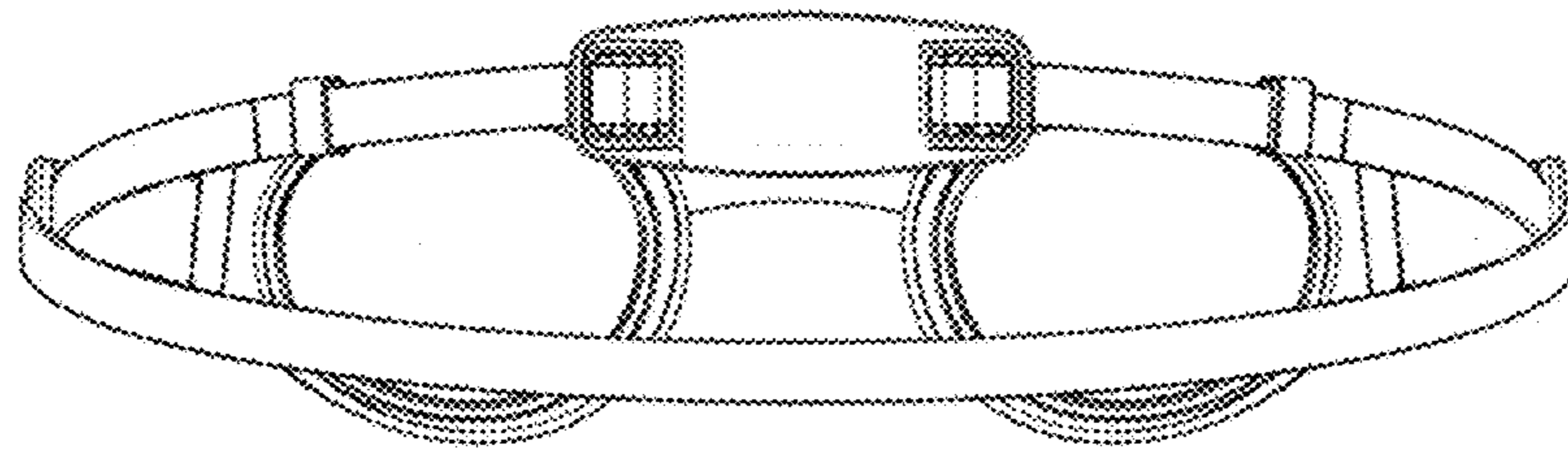


FIG. 3

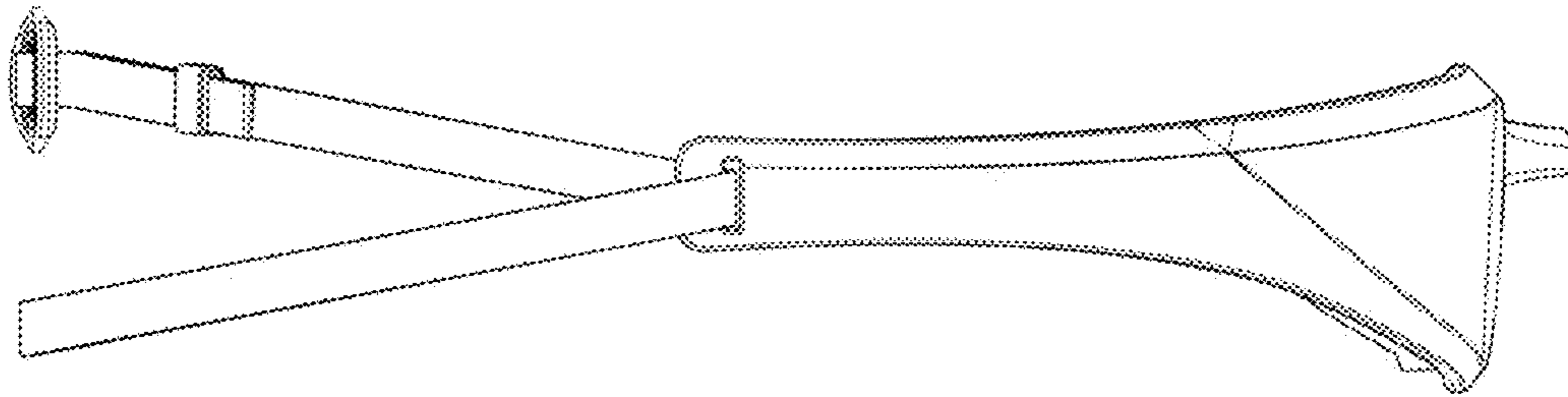


FIG. 4

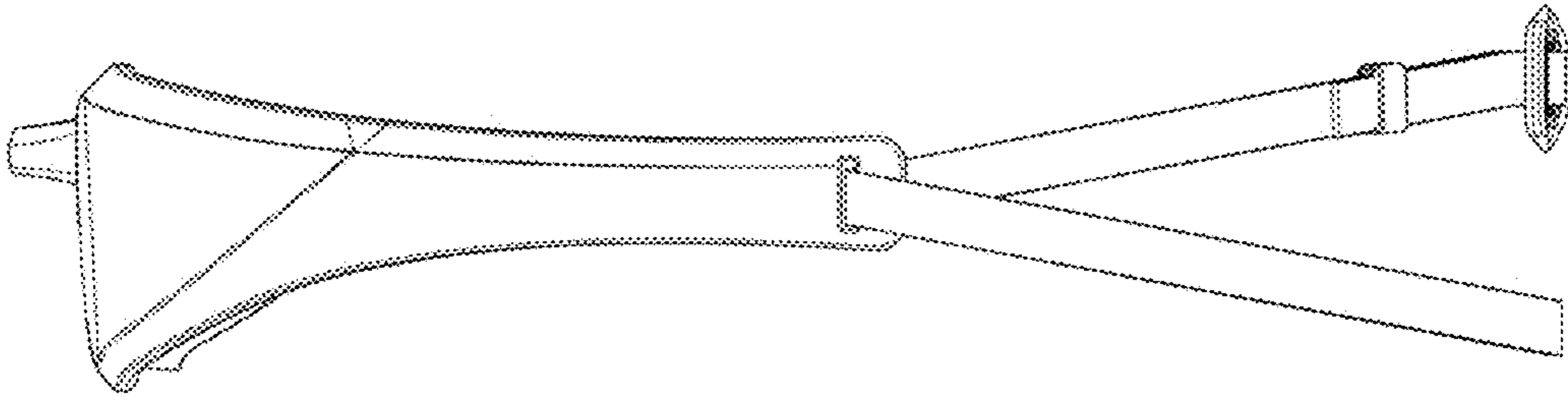


FIG. 5

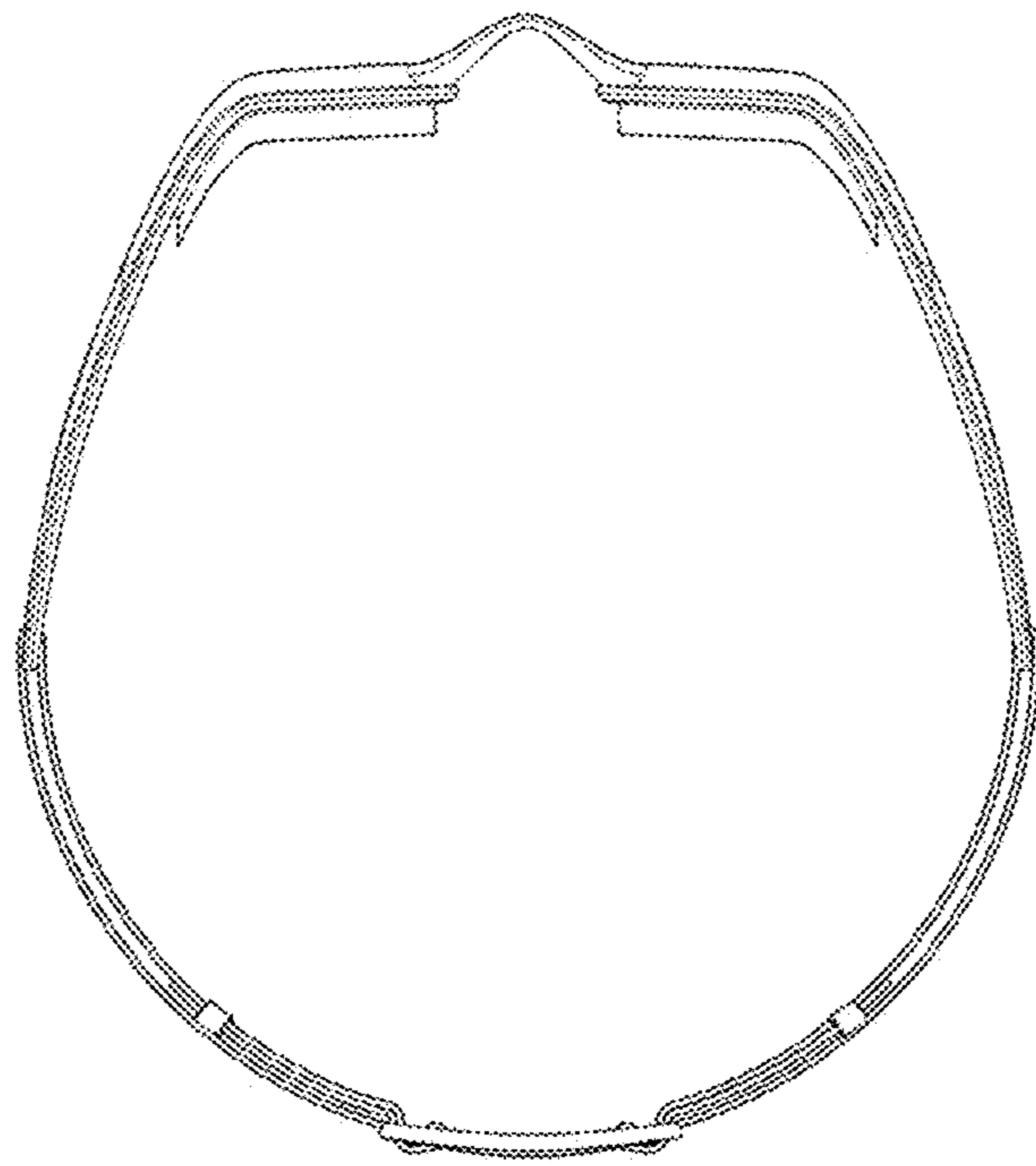


FIG. 6

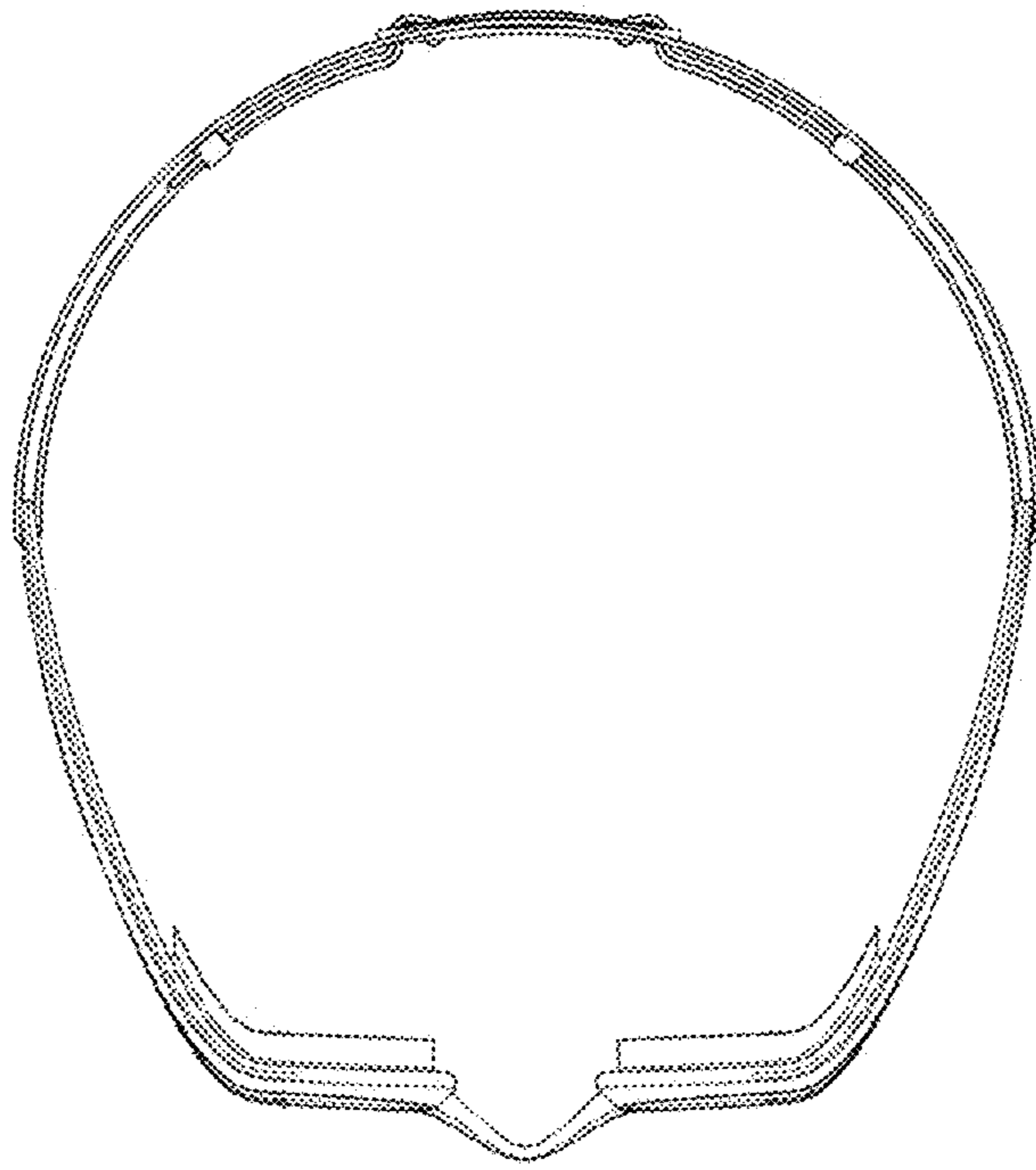


FIG. 7