



US00D893581S

(12) **United States Design Patent**
Roth

(10) **Patent No.:** **US D893,581 S**

(45) **Date of Patent:** **** Aug. 18, 2020**

(54) **CAMERA MOUNT**

(71) Applicant: **Gentex Corporation**, Zeeland, MI (US)

(72) Inventor: **Mark R. Roth**, Grand Rapids, MI (US)

(73) Assignee: **GENTEX CORPORATION**, Zeeland, MI (US)

(**) Term: **15 Years**

(21) Appl. No.: **29/716,510**

(22) Filed: **Dec. 10, 2019**

Related U.S. Application Data

(63) Continuation of application No. 29/697,985, filed on Jul. 12, 2019, now Pat. No. Des. 873,898, which is a continuation of application No. 29/589,438, filed on Dec. 30, 2016, now Pat. No. Des. 858,618.

(51) **LOC (12) Cl.** **16-05**

(52) **U.S. Cl.**
USPC **D16/242**; D12/223

(58) **Field of Classification Search**
USPC D12/169, 172, 187, 188, 190–193, 196, D12/233, 400, 415; D16/200, 202–203, D16/208, 217–219; D14/203, 209.1, 210, D14/215–217, 219
CPC B60R 11/04; H04N 5/2251; H04N 5/2253; H04N 5/2254; H04N 7/18; H04N 7/185
See application file for complete search history.

(56) **References Cited**

U.S. PATENT DOCUMENTS

D273,012 S	3/1984	Kozloski
D320,028 S	9/1991	Sedighzadeh et al.
D355,921 S	2/1995	Crouch et al.
D416,032 S	11/1999	Bakshi
D495,812 S	9/2004	Hilborn et al.
D556,233 S	11/2007	Webb et al.

D558,811 S 1/2008 Higgins et al.
7,446,650 B2 11/2008 Scholfield et al.
7,728,721 B2 6/2010 Schofield et al.
(Continued)

OTHER PUBLICATIONS

2017 Volkswagen Jetta Rearview Camera System: Published Sep. 9, 2016 [online], site visited Sep. 2, 2019. Available from Internet URL: <https://www.newcenturyvw.com/blog/2017-volkswagen-jetta-rearview-camera-system/> (Year: 2016).*

(Continued)

Primary Examiner — Jack Reickel

Assistant Examiner — Melvin L Davis

(74) *Attorney, Agent, or Firm* — Price Heneveld LLP; Bradley D. Johnson

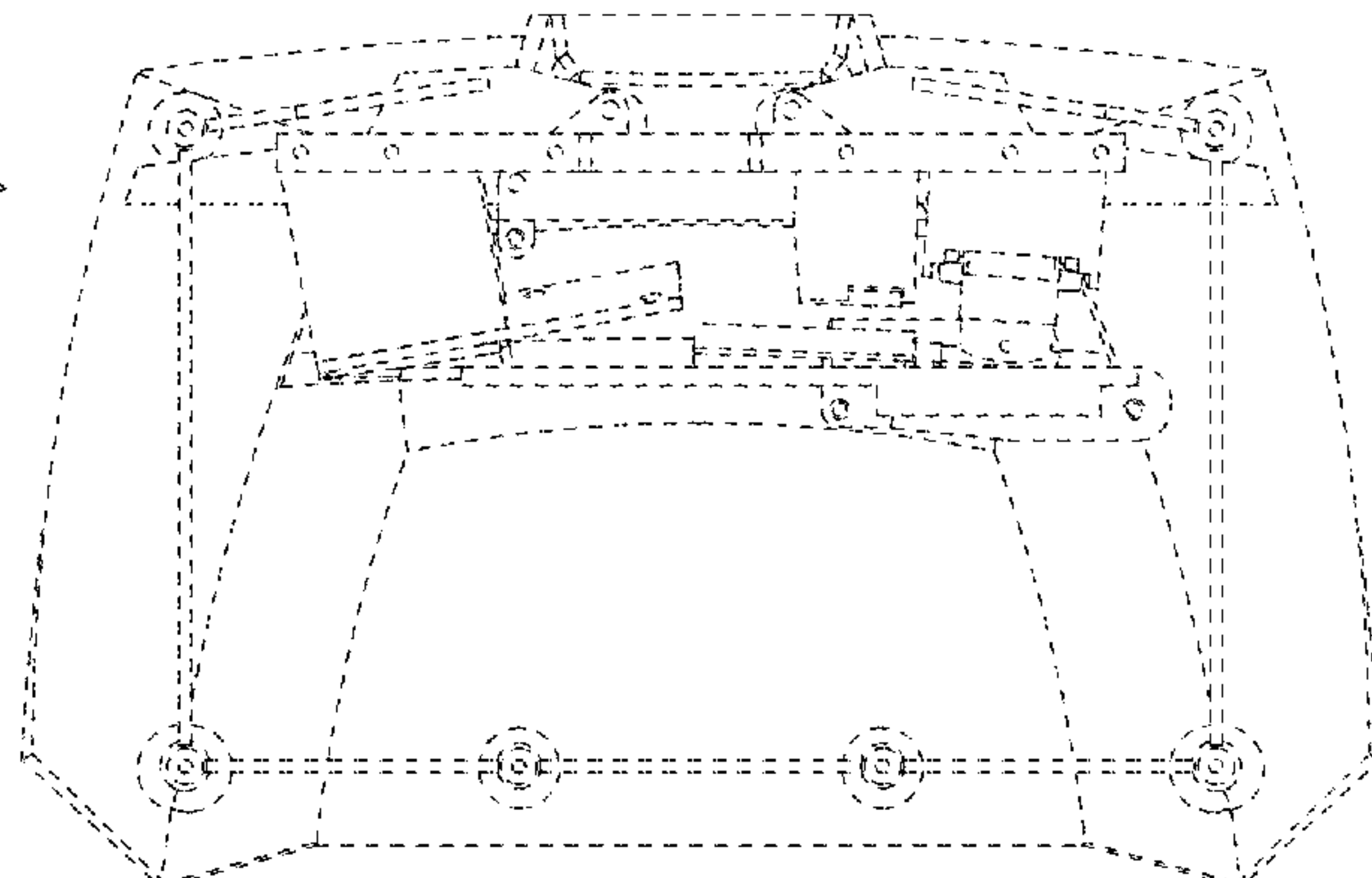
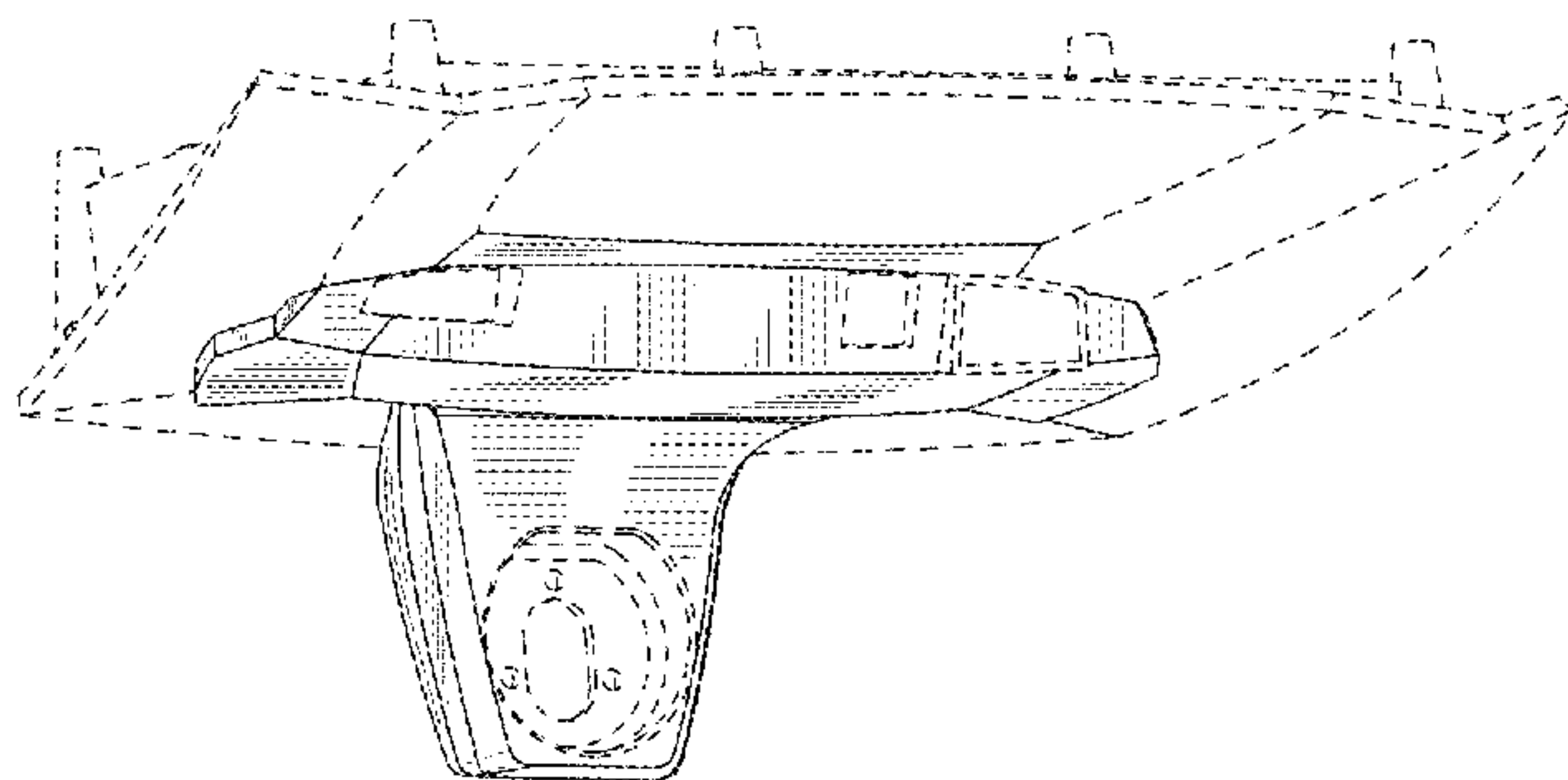
(57) **CLAIM**

I claim the ornamental design for a camera mount, as shown and described.

DESCRIPTION

FIG. 1 is a front perspective view of a camera mount of the present disclosure;
FIG. 2 is a rear perspective view of the camera mount of FIG. 1;
FIG. 3 is a front elevational view of the camera mount of FIG. 1;
FIG. 4 is a rear elevational view of the camera mount of FIG. 1;
FIG. 5 is a first side elevational view of the camera mount of FIG. 1;
FIG. 6 is a second side elevational view of the camera mount of FIG. 1;
FIG. 7 is a bottom plan view of the camera mount of FIG. 1; and,
FIG. 8 is a top plan view of the camera mount of FIG. 1. The broken lines depict portions of the article that form no part of the claimed design.

1 Claim, 4 Drawing Sheets



(56)

References Cited

U.S. PATENT DOCUMENTS

7,965,336	B2	6/2011	Bingle et al.	
D643,455	S	8/2011	Raa et al.	
8,339,453	B2	12/2012	Blake, III et al.	
D700,231	S	2/2014	Berkmortel	
D739,887	S	9/2015	Fish, Jr. et al.	
D748,711	S	2/2016	Roth et al.	
D754,777	S	4/2016	Fish, Jr. et al.	
D757,146	S	5/2016	Walter et al.	
9,380,219	B2	6/2016	Salomonsson et al.	
9,630,570	B2 *	4/2017	Salomonsson	H04N 5/2252
9,871,971	B2 *	1/2018	Wang	H05K 999/99
D812,669	S	3/2018	Huang et al.	
D817,382	S	5/2018	Roth et al.	
10,027,862	B2 *	7/2018	Wato	H04N 5/2252
10,046,716	B2	8/2018	Okuda et al.	
D828,430	S *	9/2018	Pandya	D16/218
D829,257	S	9/2018	Benning et al.	
10,081,310	B2 *	9/2018	Kasai	F16M 13/02
D834,633	S	11/2018	Carlson	
10,173,608	B2	1/2019	Kasai et al.	
D849,817	S *	5/2019	Wang	D16/218
D852,253	S *	6/2019	Lee	D16/200
10,377,322	B2 *	8/2019	Okuda	B60W 30/143
D858,618	S *	9/2019	Roth	D16/242
D871,485	S *	12/2019	Walter	D16/203
D873,898	S *	1/2020	Roth	D16/242
D875,160	S *	2/2020	Krakauer	D16/208
2009/0295181	A1 *	12/2009	Lawlor	B60R 1/12 296/1.11
2015/0042874	A1	2/2015	Takeda	

OTHER PUBLICATIONS

Voyager VCMS140iB Color CMOS IR LED Camera: Published Sep. 24, 2013 [online], site visited Sep. 2, 2019. Available from Internet URL: https://www.amazon.com/dp/B01M104ZLNQ/ref=cm_sw_r_tw_dp_U_x_PiQBDbJ46V9XM (Year: 2013).*

Vardsafe VS701C Replacement Backup Camera Case Housing: Published Oct. 14, 2016 [online], site visited Sep. 2, 2019. Available from Internet URL: https://www.amazon.com/dp/B07K362H3N/ref=cm_sw_r_tw_dp_U_x_5yQBDb4134CVW (Year: 2016).*

“QuickVu Digital Wireless ” Jul. 11, 2018, Top Ten Reviews.Com, site visited Apr. 12, 2020: <https://www.toptenreviews.com/backup-camera-quickvu-backup-camera-review> (Year: 2018).*

2017 Volkswagen Jetta Rearview Camera System: Published Sep. 9, 2016 [online], site visited Sep. 2, 2019 (in U.S. Appl. No. 29/697,985). Available from Internet URL: <https://www.newcenturyvw.com/blog/2017-volkswagen-jetta-rearview-camera-system/> (Year: 2016).

Voyager VCMS140iB Color CMOS IR LED Camera: Published Sep. 24, 2013 [online], site visited Sep. 2, 2019 (in U.S. Appl. No. 29/697,985). Available from Internet URL: https://www.amazon.com/dp/B01M104ZLNQ/ref=cm_sw_r_tw_dp_U_x_PiQBDbJ46V9XM (Year: 2013).

Vardsafe VS701C Replacement Backup Camera Case Housing: Published Oct. 14, 2016 [online], site visited Sep. 2, 2019 (in U.S. Appl. No. 29/697,985). Available from Internet URL: https://www.amazon.com/dp/B07K362H3N/ref=cm_sw_r_tw_dp_U_x_5yQBDb4134CVW (Year: 2016).

* cited by examiner

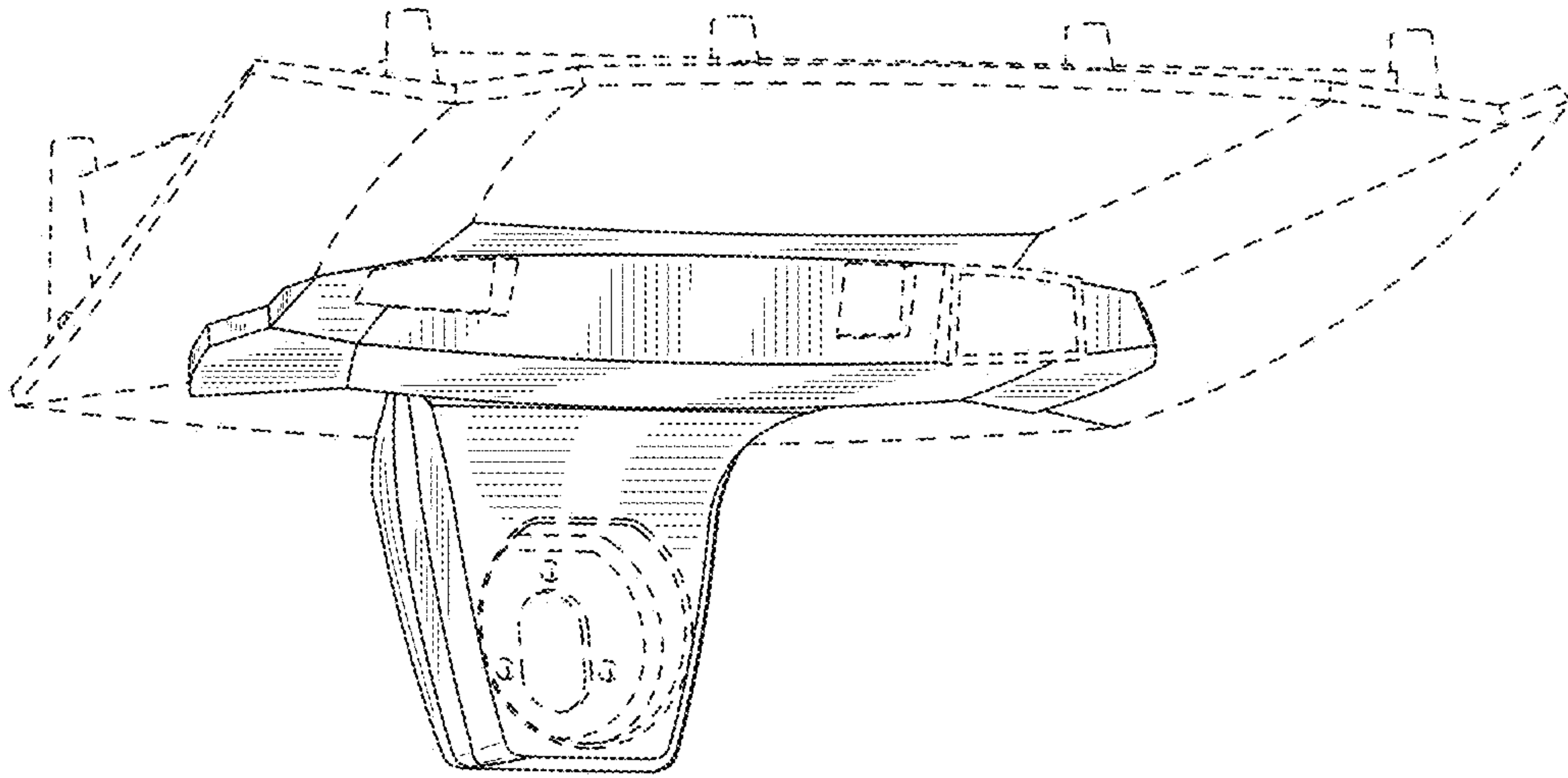


FIG. 1

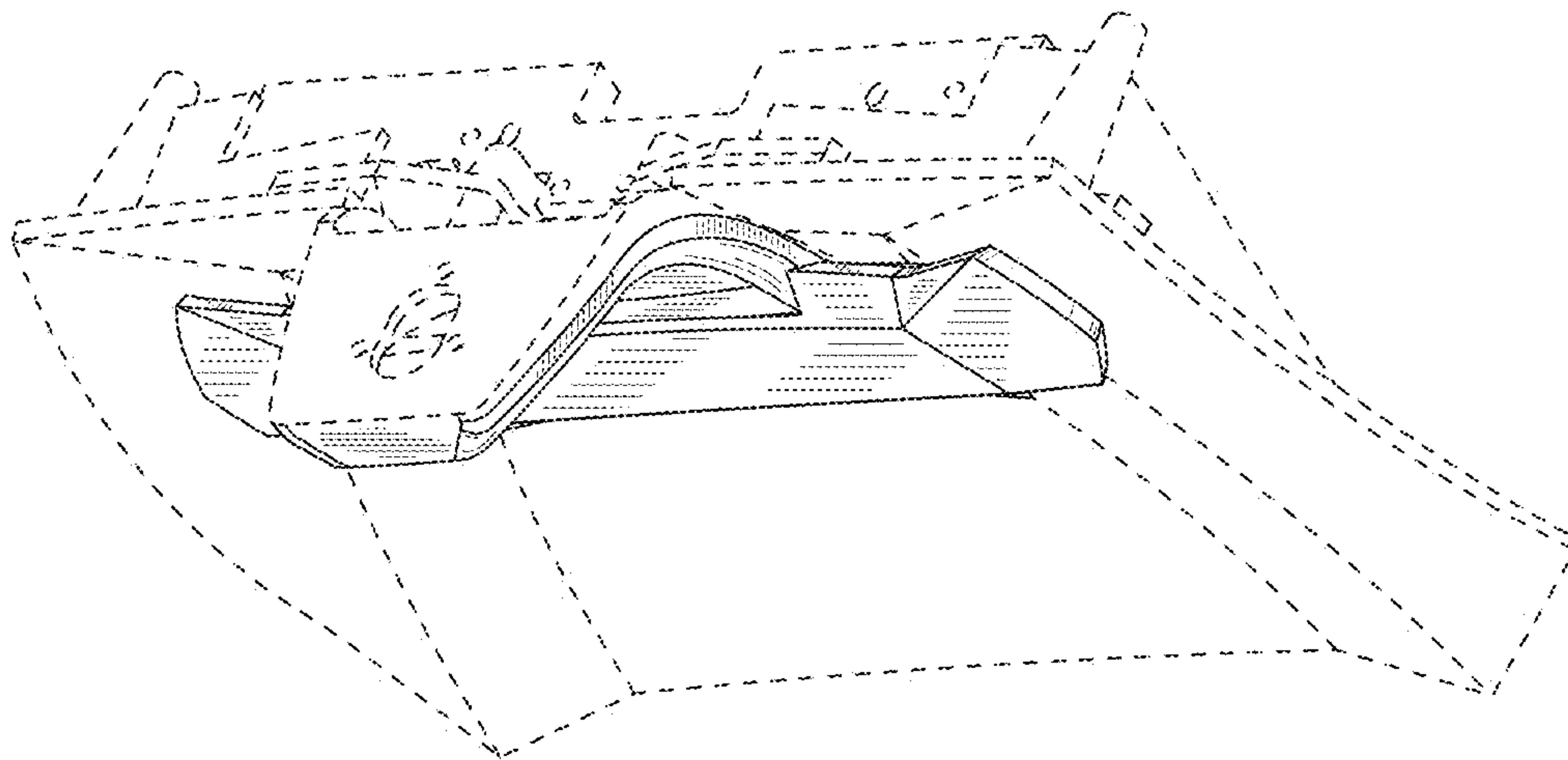


FIG. 2

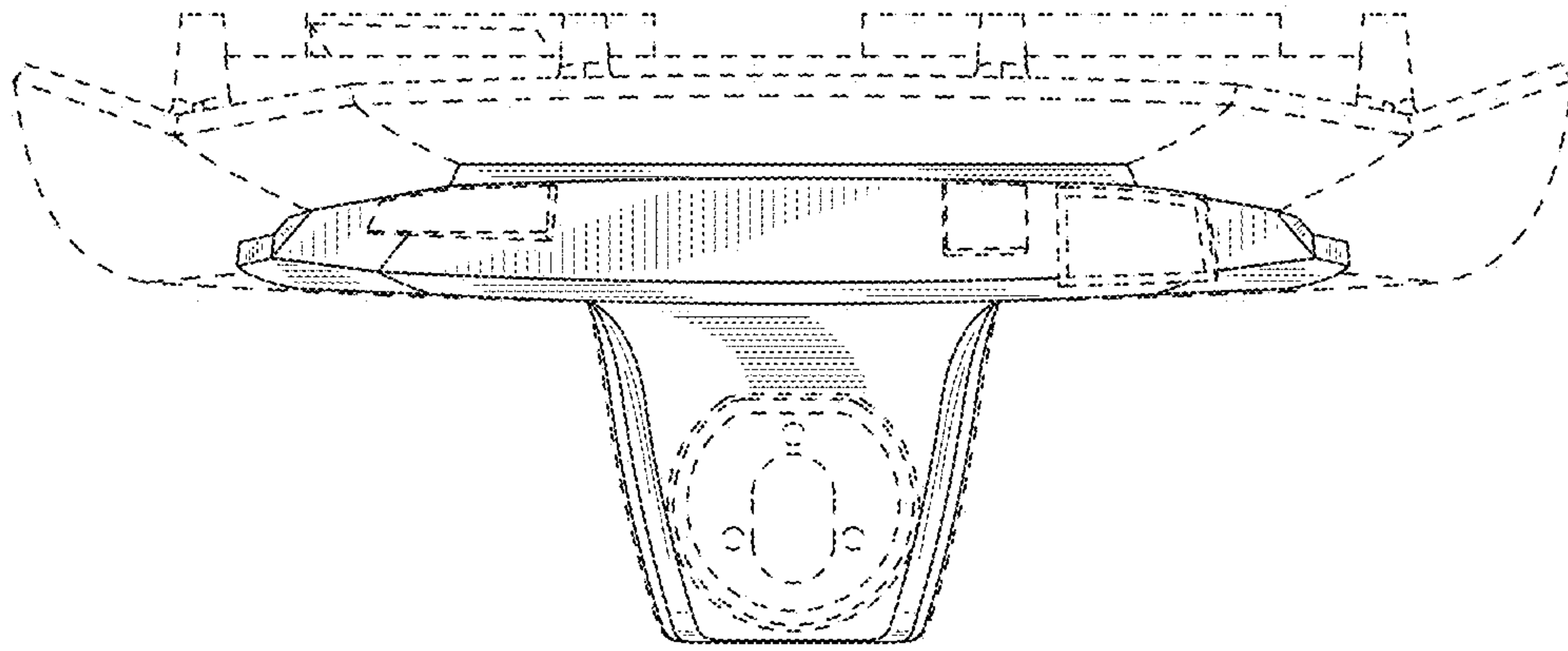


FIG. 3

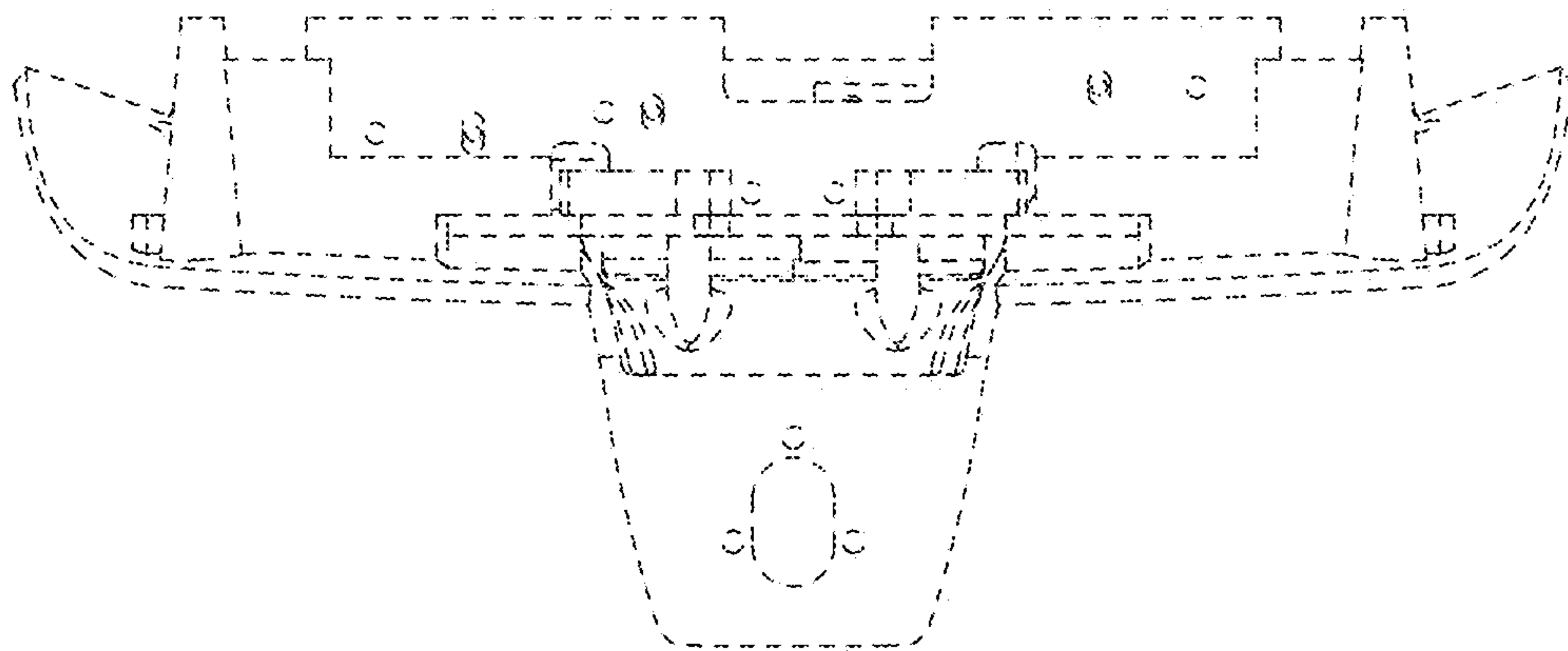


FIG. 4

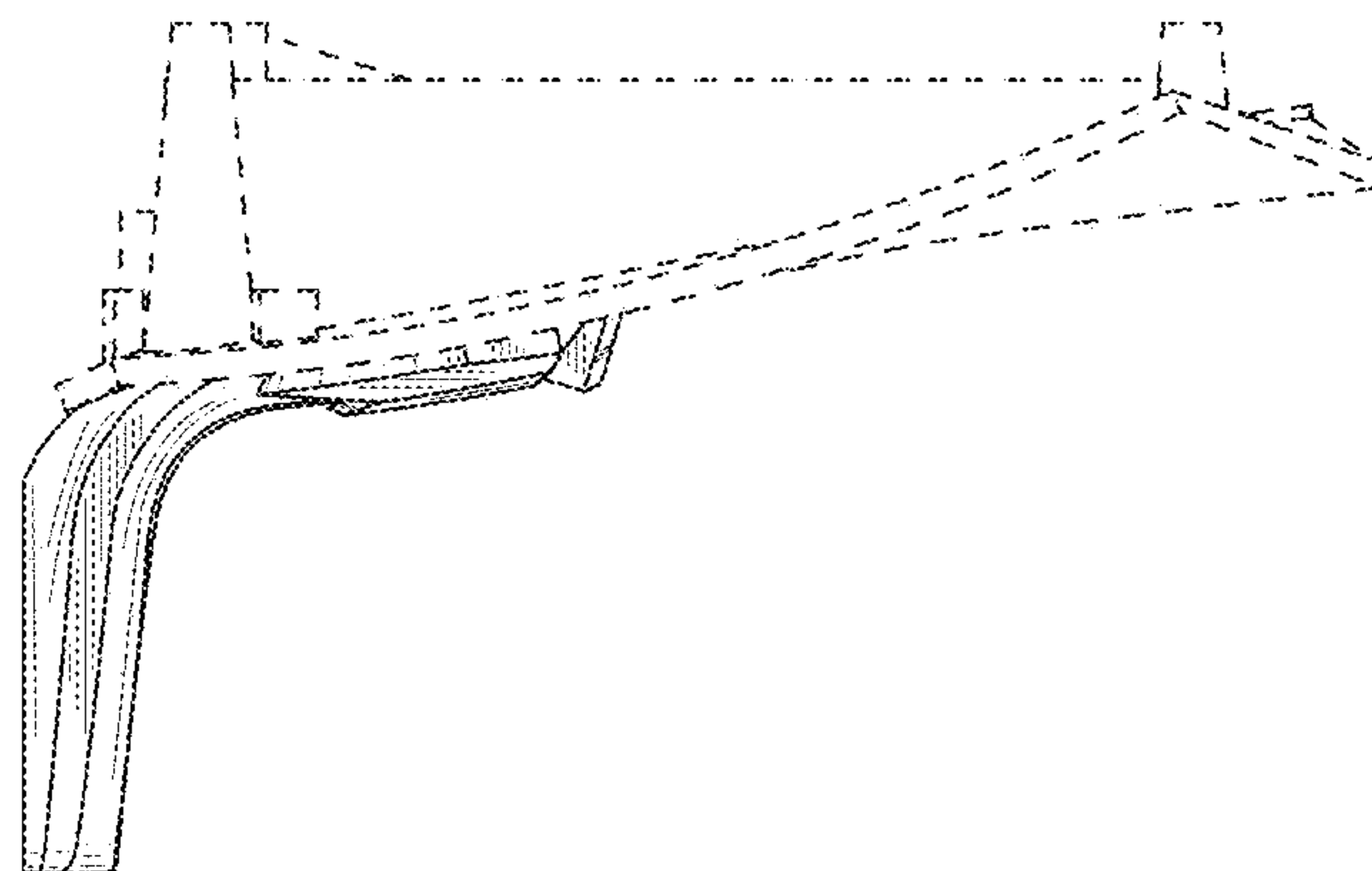


FIG. 5

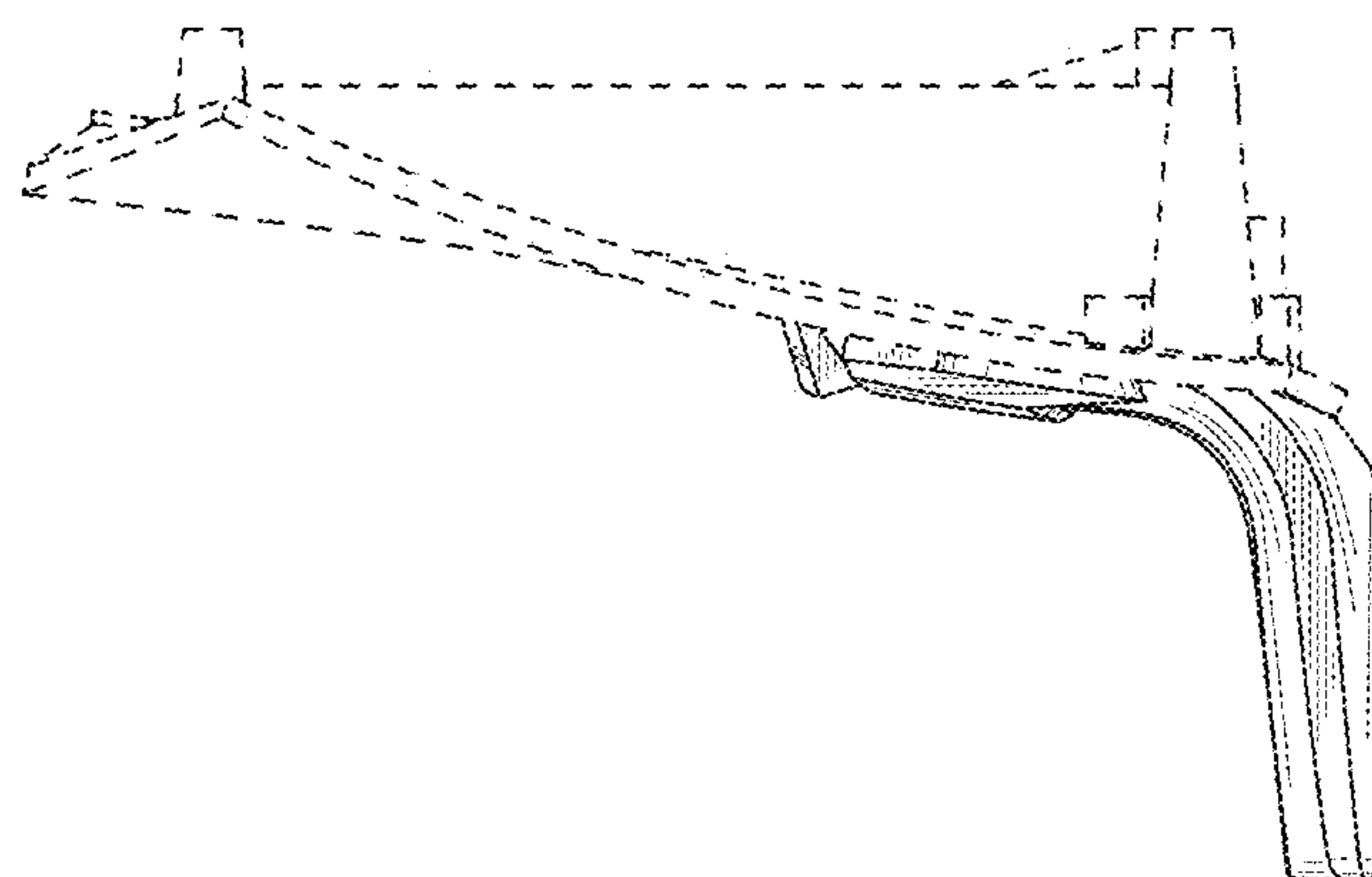


FIG. 6

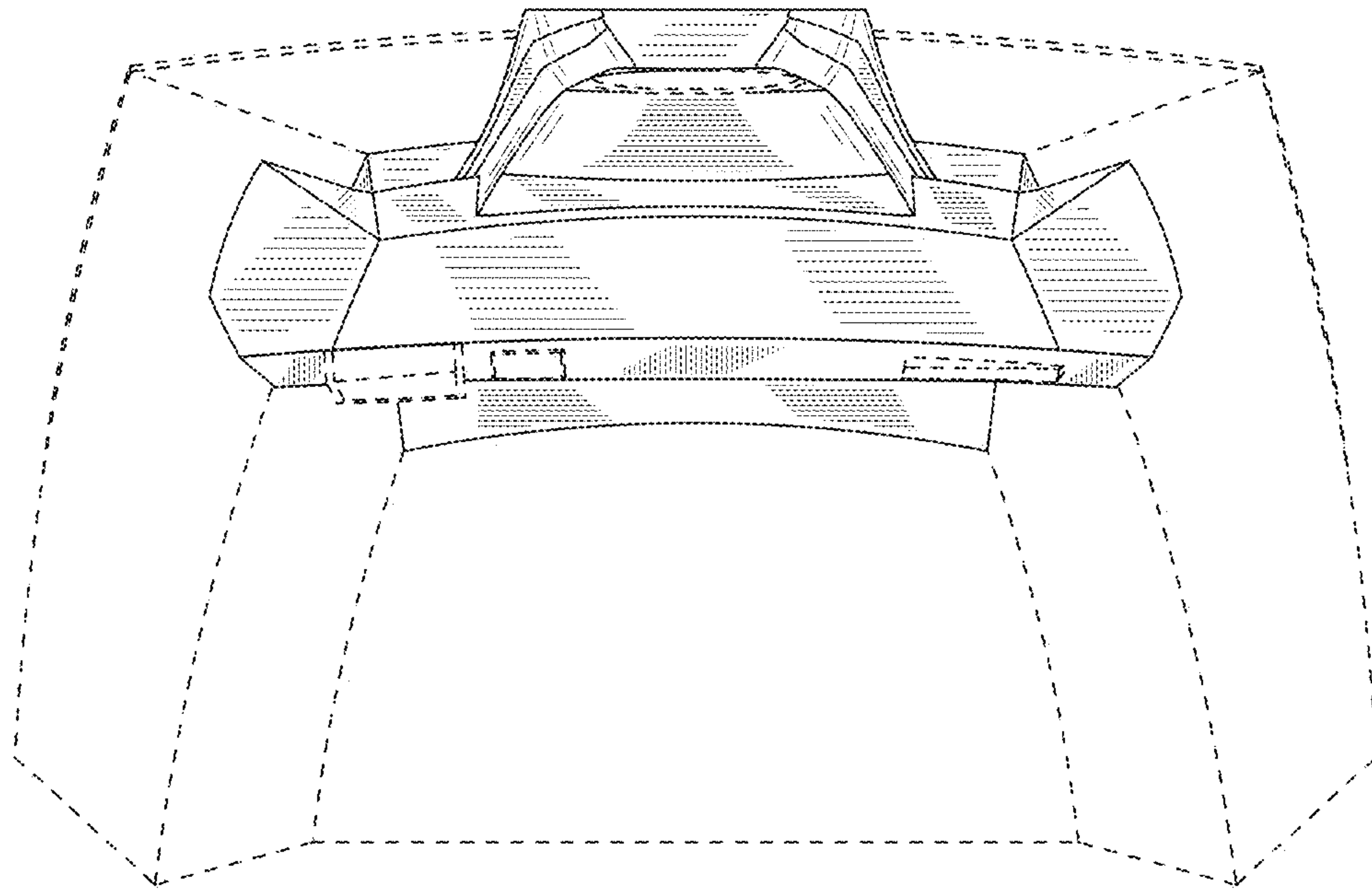


FIG. 7

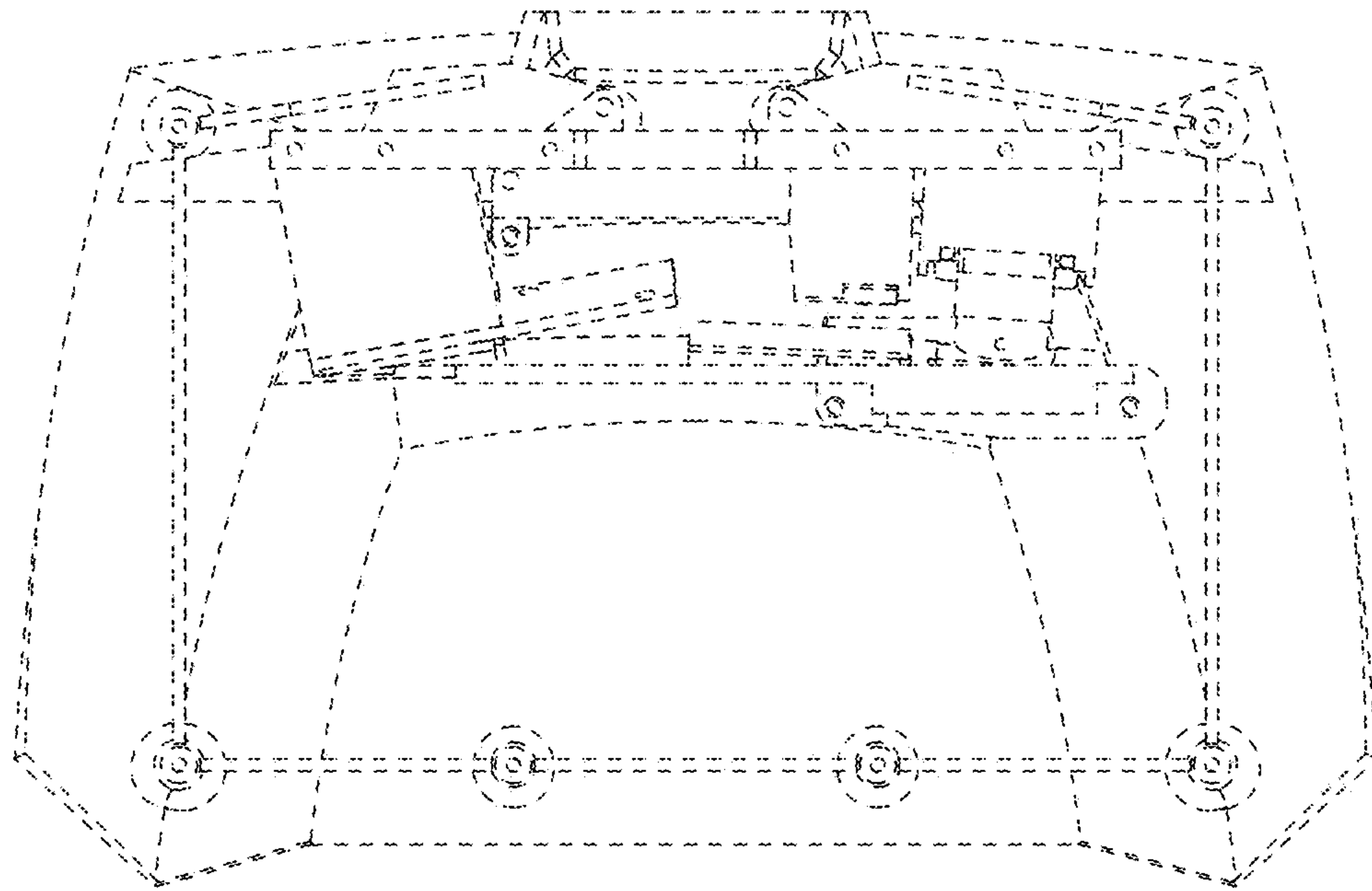


FIG. 8