



US00D893580S

(12) **United States Design Patent** (10) **Patent No.:** **US D893,580 S**  
**Stern et al.** (45) **Date of Patent:** **\*\* Aug. 18, 2020**

(54) **CAMERA MOUNT**  
(71) Applicant: **Tactacam, LLC**, Caledonia, MN (US)  
(72) Inventors: **Benjamin Brian Stern**, Holmen, WI (US); **Randy Hoff**, Arcadia, WI (US)  
(73) Assignee: **TACTACAM, LLC**, Caledonia, MN (US)  
(\*\*) Term: **15 Years**  
(21) Appl. No.: **29/700,840**  
(22) Filed: **Aug. 6, 2019**

D469,839 S \* 2/2003 Gibbs ..... D22/107  
6,718,964 B1 \* 4/2004 Graf ..... F41B 5/1426  
124/89  
D590,867 S 4/2009 Schenone et al.  
D679,708 S 4/2013 Li  
D682,969 S 5/2013 Khoshnood et al.  
(Continued)

**FOREIGN PATENT DOCUMENTS**

KR 3020090029902 3/2013

**OTHER PUBLICATIONS**

Stabilizator Maximal Hunting 3D LEVEL-8. Online, published date unknown. Retrieved on Feb. 29, 2020 from URL: <https://www.e-luk.pl/product-pol-5940-Stabilizator-Maximal-Hunting-3D-LEVEL-8.html>.\*

(Continued)

*Primary Examiner* — Susan Bennett Hattan  
*Assistant Examiner* — Omeed Agilee  
(74) *Attorney, Agent, or Firm* — McAndrews, Held & Malloy, Ltd.

**Related U.S. Application Data**

(63) Continuation of application No. 29/629,442, filed on Dec. 13, 2017, now Pat. No. Des. 855,685, which is a continuation of application No. 29/567,367, filed on Jun. 8, 2016, now Pat. No. Des. 809,054, which is a continuation-in-part of application No. 14/216,360, filed on Mar. 17, 2014, now abandoned.

(51) **LOC (12) Cl.** ..... **16-05**

(52) **U.S. Cl.**  
USPC ..... **D16/242**; D22/107

(58) **Field of Classification Search**  
USPC ..... D16/208, 213–219, 235, 237–250;  
D14/217, 229, 250–253; D8/363, 373,  
D8/394  
CPC .. G03B 17/02–04; G03B 17/14; G03B 17/56;  
G03B 17/561–568; G03B 21/20; G02B  
7/00–002; F16M 11/02; F16M 11/04;  
F16M 11/20; F16M 11/40

See application file for complete search history.

(56) **References Cited**

**U.S. PATENT DOCUMENTS**

D362,862 S 10/1995 Barton  
5,735,257 A \* 4/1998 Walk ..... F41B 5/1426  
124/89

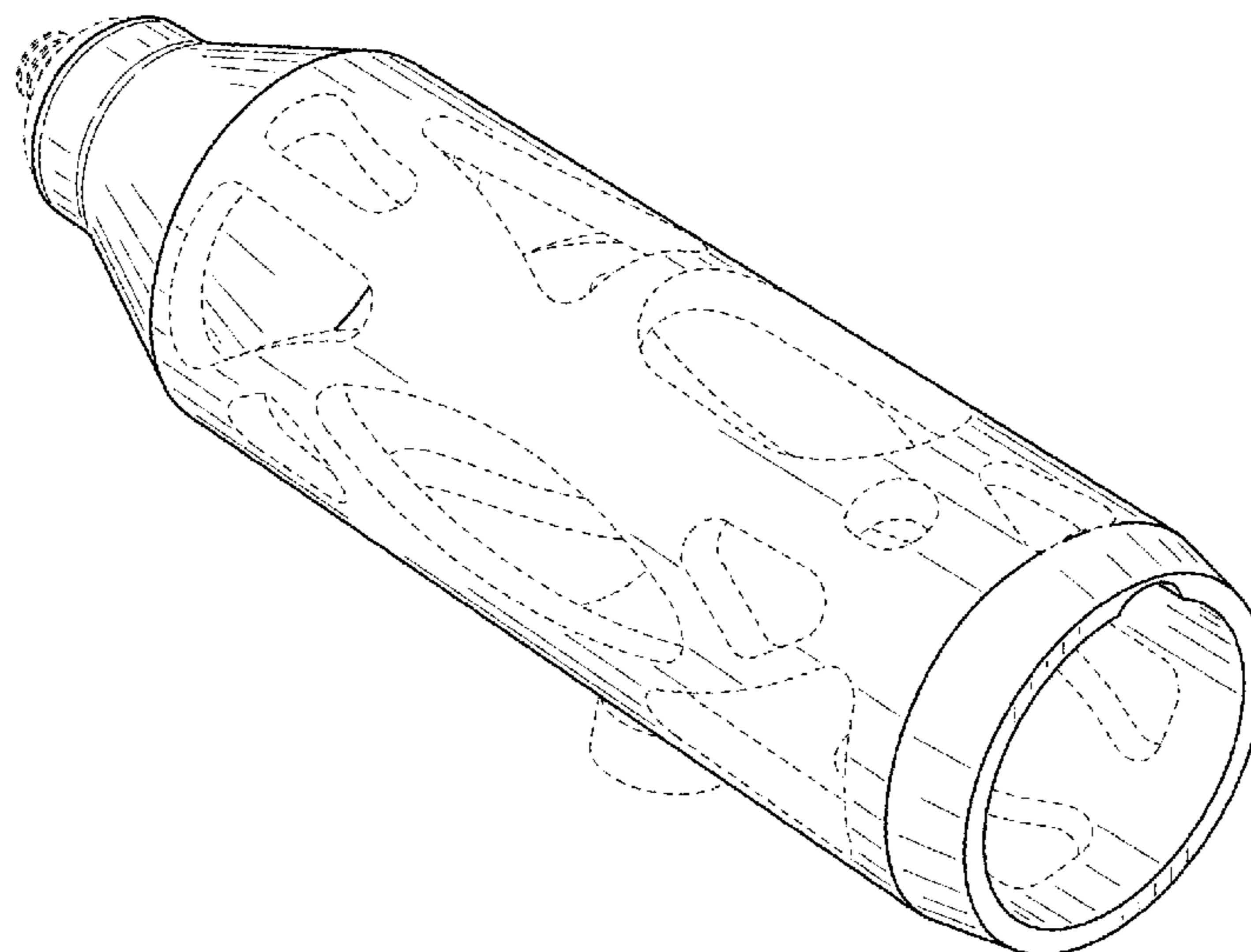
(57) **CLAIM**

The ornamental design for a camera mount, as shown and described.

**DESCRIPTION**

FIG. 1 is a front, top, and left perspective view of a camera mount showing our new design;  
FIG. 2 is a front elevation view thereof;  
FIG. 3 is a rear elevation view thereof;  
FIG. 4 is a right-side elevation view thereof;  
FIG. 5 is a left-side elevation view thereof;  
FIG. 6 is a top plan view thereof;  
FIG. 7 is a bottom plan view thereof; and,  
FIG. 8 is a rear, bottom, and right perspective view thereof. The broken lines in the figures illustrate portions of the camera mount that form no part of the claimed design.

**1 Claim, 5 Drawing Sheets**



(56)

**References Cited**

U.S. PATENT DOCUMENTS

D683,614 S 6/2013 Toimil et al.  
 8,833,356 B2 9/2014 Khoshnood  
 D730,429 S 5/2015 Anari et al.  
 D746,397 S 12/2015 Kingsbury et al.  
 D747,399 S \* 1/2016 Stump ..... D16/243  
 D779,579 S 2/2017 Anari et al.  
 9,766,033 B2 9/2017 Powell  
 D809,054 S 1/2018 Stern et al.  
 D809,964 S 2/2018 Harshman et al.  
 D820,376 S 6/2018 Potts  
 D827,756 S 9/2018 Schlangen  
 D855,685 S \* 8/2019 Stern ..... D16/242  
 2011/0168151 A1 7/2011 Kingsbury et al.  
 2011/0259313 A1 10/2011 Reinhold  
 2012/0125308 A1 5/2012 Khoshnood et al.  
 2012/0125309 A1 5/2012 Khoshnood  
 2012/0125310 A1 \* 5/2012 Khoshnood ..... F41B 5/1426  
 124/89

2013/0340313 A1\* 12/2013 Myers ..... F41A 21/30  
 42/90  
 2014/0216433 A1 8/2014 Kingsbury et al.  
 2014/0267721 A1 9/2014 Stern et al.  
 2015/0184973 A1\* 7/2015 Martens ..... F41B 5/1426  
 124/23.1

OTHER PUBLICATIONS

Tactacam "Share Your Hunt." [online] published date Aug. 13, 2015. Retrieved on May 16, 2017 from <URL:http://isioutdoors.coml?feed=rss2&cat=54>.  
 Stabilizer Mount. Online, published date unknown. Retrieved on Nov. 25, 2018 from URL: https://www.tactacam.com/shop/stabilizer-mount/.  
 K3 5" Bow Stabilizer Black—5-k3bk. Online, published date unknown. Retrieved on Nov. 25, 2018 from URL: https://www.ebay.com/p/K3-5-Bow-Stabilizer-Black-5-k3bk/1528589797.

\* cited by examiner

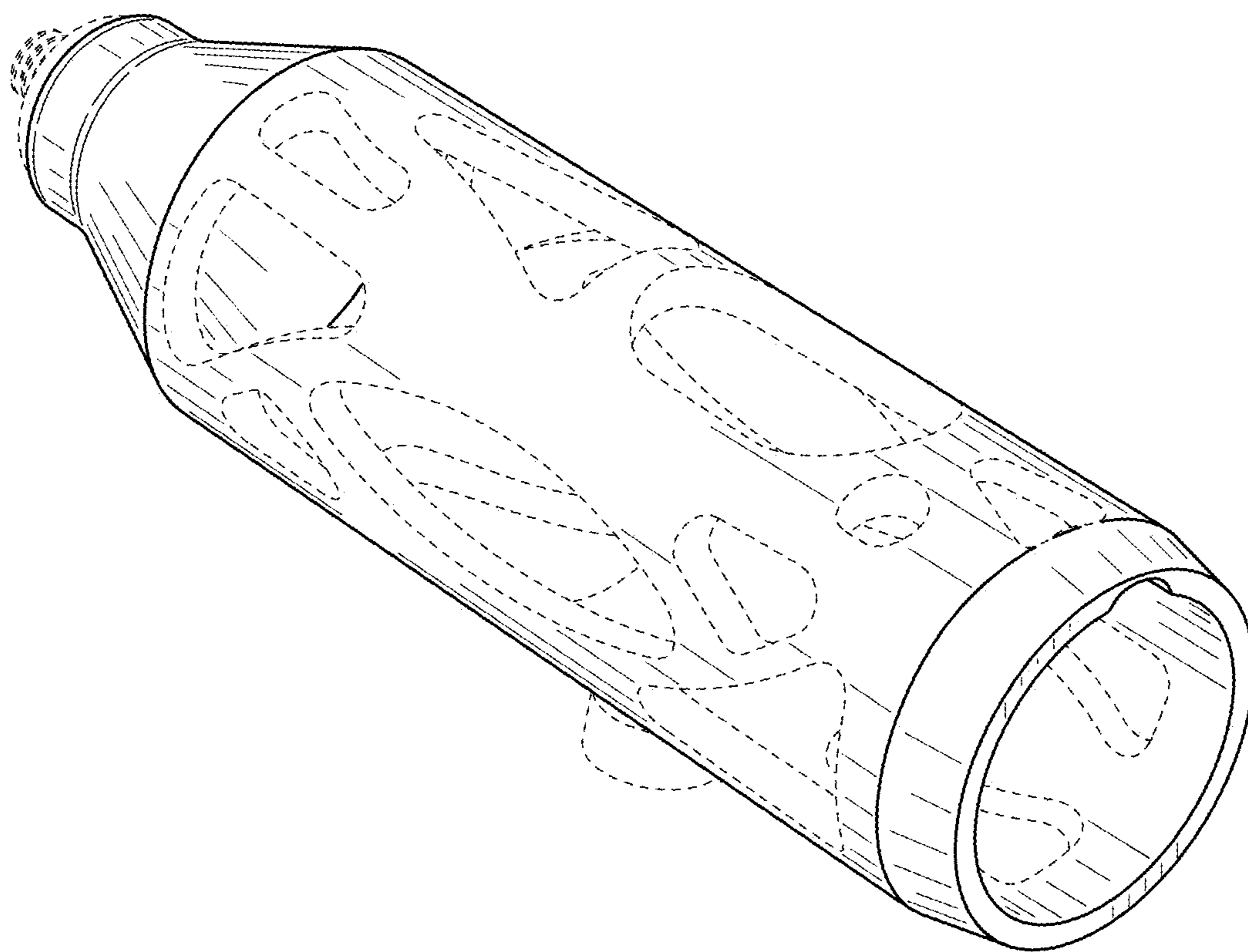
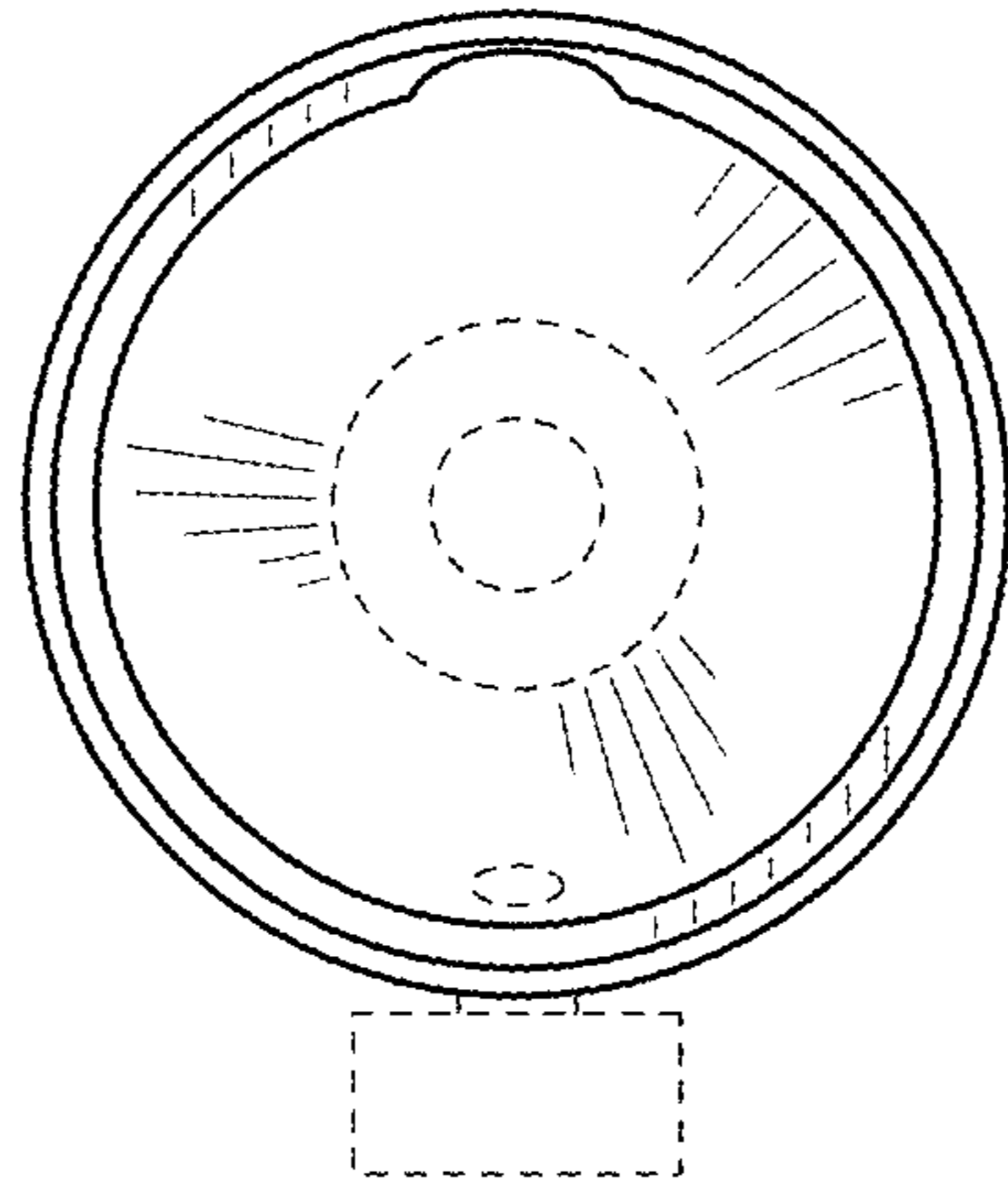
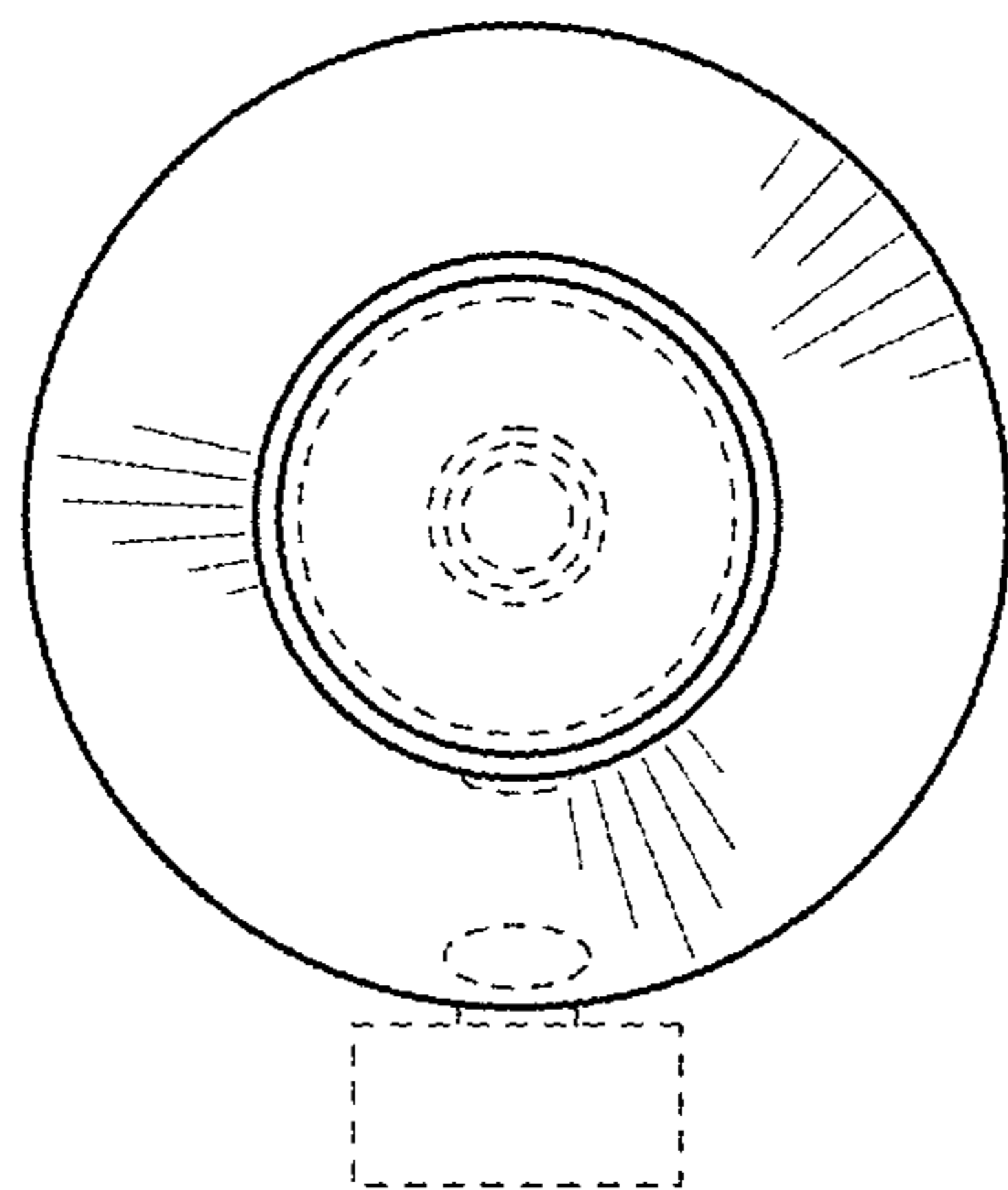


FIG. 1



**FIG. 2**



**FIG. 3**

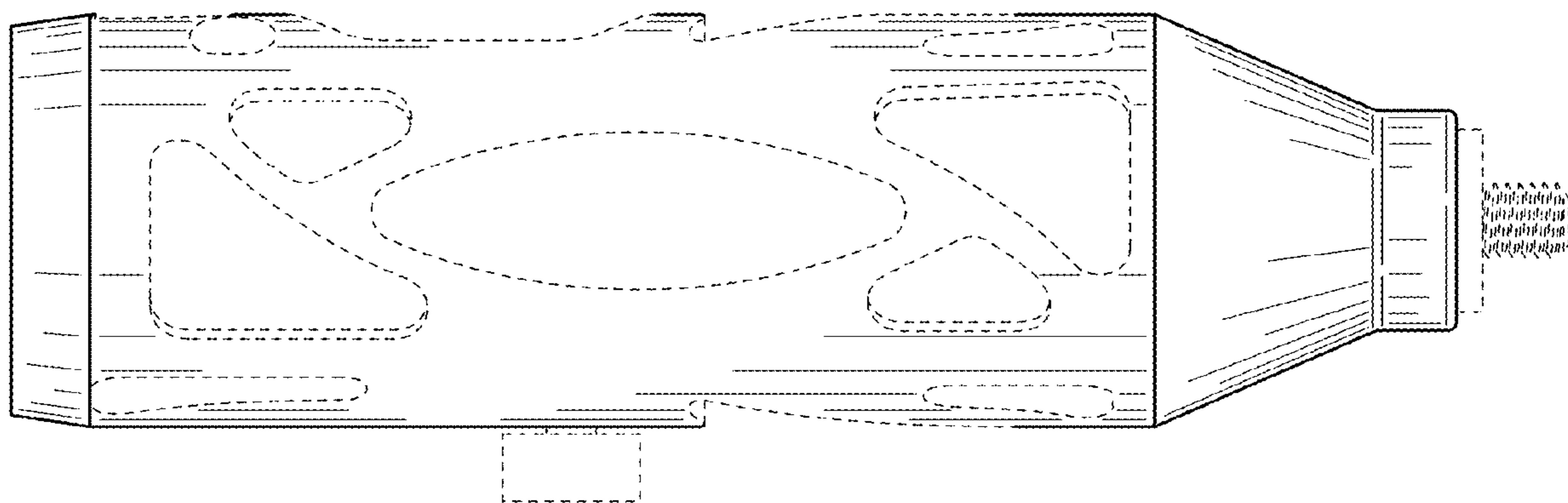


FIG. 4

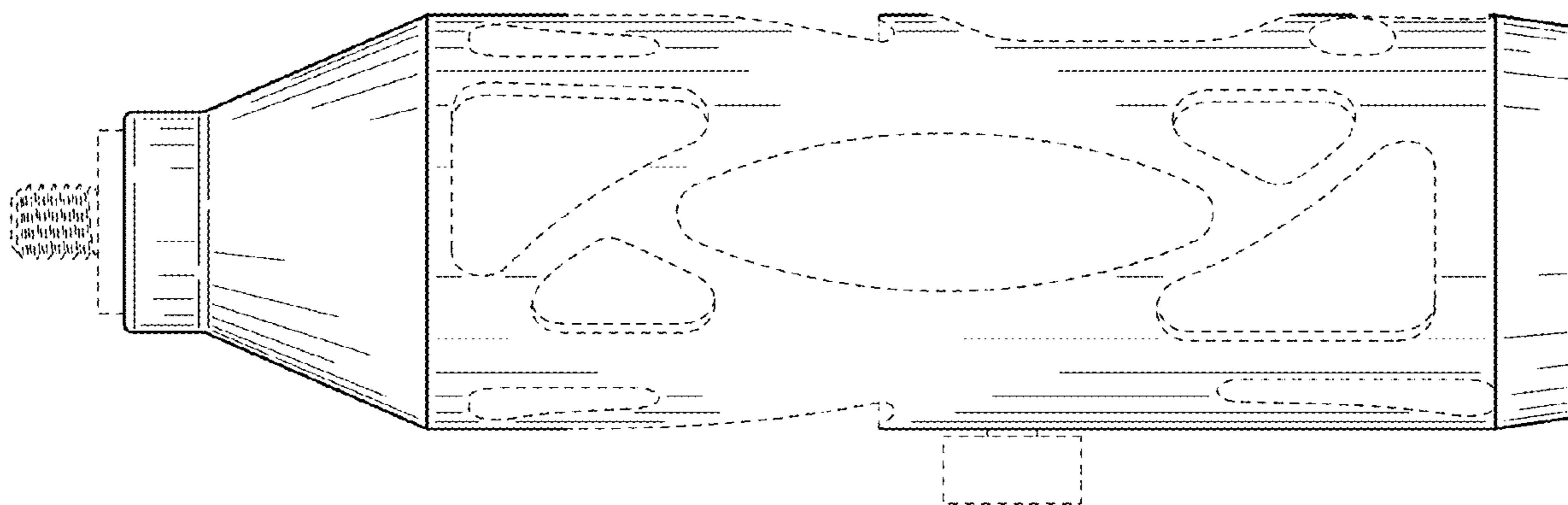


FIG. 5

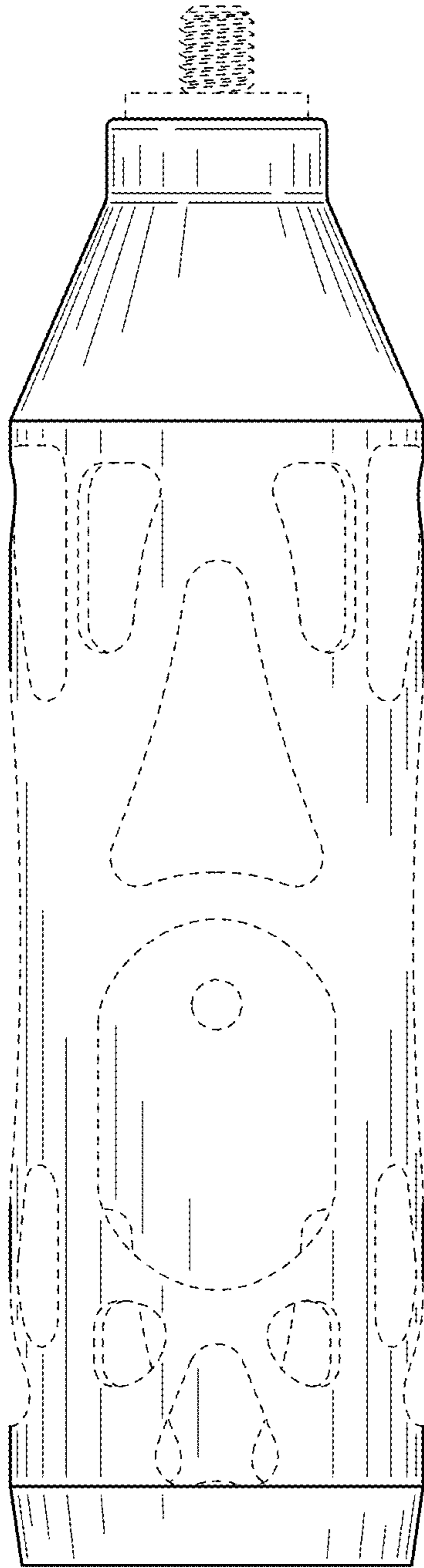


FIG. 6

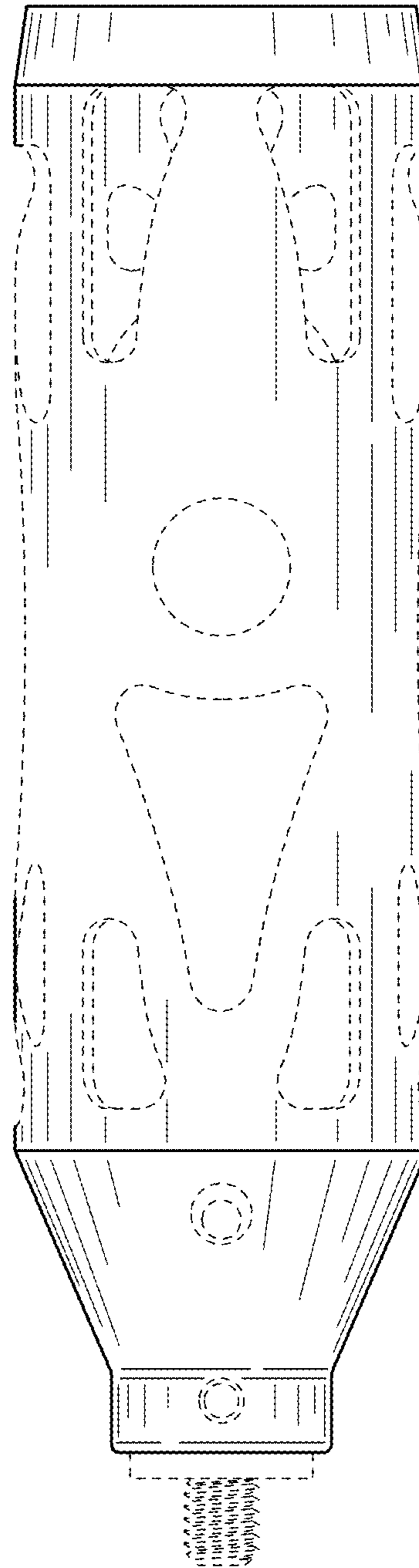


FIG. 7

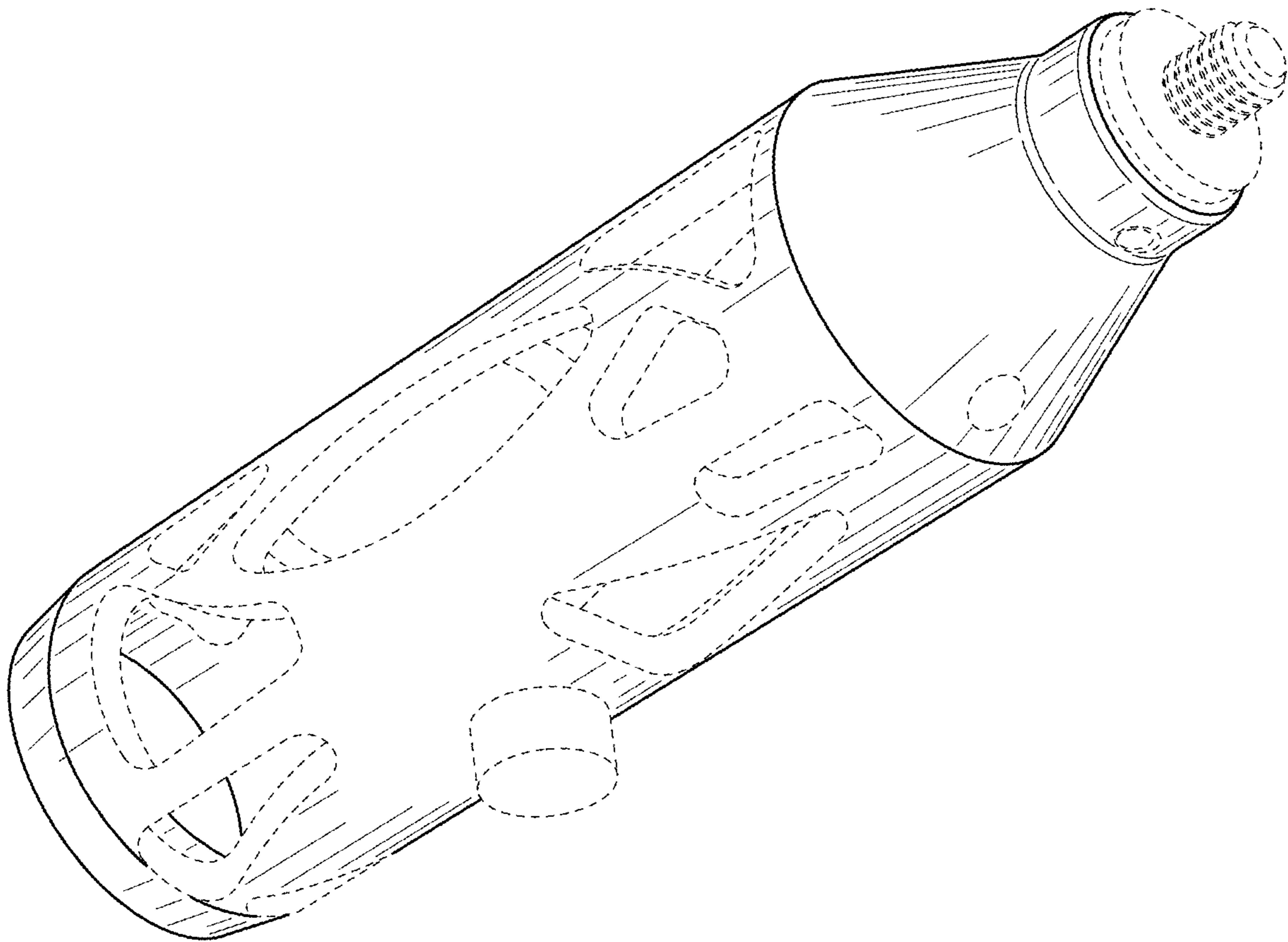


FIG. 8