



US00D893578S

(12) **United States Design Patent** (10) **Patent No.:** **US D893,578 S**
Denby et al. (45) **Date of Patent:** **** Aug. 18, 2020**

(54) **CAMERA**

(71) Applicants: **Jonathan Denby**, San Francisco, CA (US); **Alexandre Karpenko**, San Francisco, CA (US); **Christopher Cunningham**, San Francisco, CA (US); **Fred Bould**, Menlo Park, CA (US); **Kwan Hon Anson Cheung**, San Francisco, CA (US); **Jamie Perin**, San Francisco, CA (US); **Lora Dimitrova**, San Francisco, CA (US)

(72) Inventors: **Jonathan Denby**, San Francisco, CA (US); **Alexandre Karpenko**, San Francisco, CA (US); **Christopher Cunningham**, San Francisco, CA (US); **Fred Bould**, Menlo Park, CA (US); **Kwan Hon Anson Cheung**, San Francisco, CA (US); **Jamie Perin**, San Francisco, CA (US); **Lora Dimitrova**, San Francisco, CA (US)

(73) Assignee: **RYLO, INC.**, San Francisco, CA (US)

(**) Term: **15 Years**

(21) Appl. No.: **29/694,954**

(22) Filed: **Jun. 14, 2019**

(51) **LOC (12) Cl.** **16-01**

(52) **U.S. Cl.**
USPC **D16/218**

(58) **Field of Classification Search**
USPC D16/200, 212, 218, 219; 348/373–376; 396/448, 535, 539–541
CPC G03B 15/03; G03B 17/02; G03B 17/04; G03B 17/56; G03B 19/04; H04N 5/2251; H04N 5/2252; H04N 5/2253; H04N 5/2254; H04N 2101/00

See application file for complete search history.

(56) **References Cited**

U.S. PATENT DOCUMENTS

D407,098	S	*	3/1999	Goto	D16/200
D721,395	S	*	1/2015	Woodman	D16/218
D750,686	S	*	3/2016	Chen	D16/218
D766,351	S	*	9/2016	Li	D16/202
D772,966	S	*	11/2016	Song	D16/200
D789,435	S	*	6/2017	Nguyen	D16/202
D790,002	S	*	6/2017	Nguyen	D16/218
D793,463	S	*	8/2017	Houin	D16/202
9,756,227	B2	*	9/2017	Xu	G03B 17/56
D816,753	S	*	5/2018	Zhang	D16/202
D833,505	S	*	11/2018	Hu	D16/218
D836,696	S	*	12/2018	Zhang	D16/202
2016/0209731	A1	*	7/2016	Song	H01H 9/161

* cited by examiner

Primary Examiner — Ramzi S Almatrahi

(74) *Attorney, Agent, or Firm* — Schwegman Lundberg & Woessner, P.A.

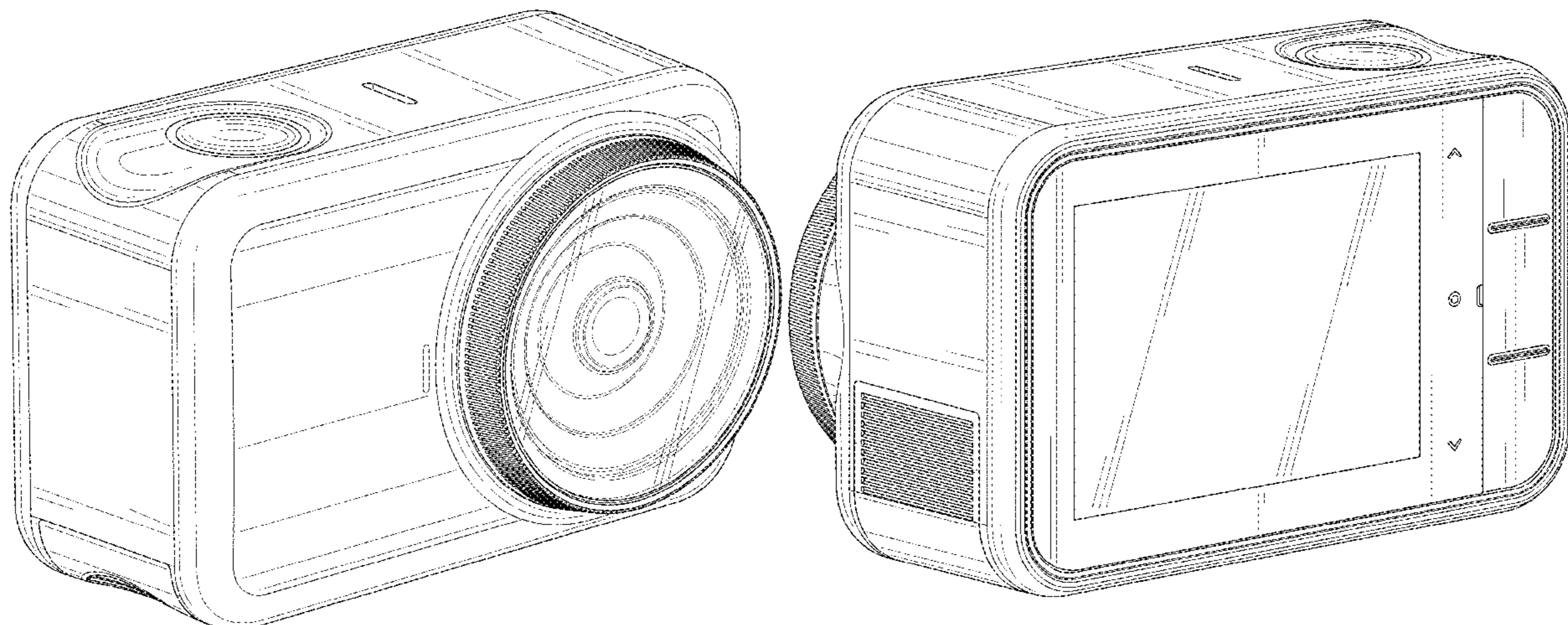
(57) **CLAIM**

The ornamental design for a camera, as shown.

DESCRIPTION

FIG. 1 is a front view of a camera, showing our new design.
FIG. 2 is a rear view thereof.
FIG. 3 is a top view thereof.
FIG. 4 is a bottom view thereof.
FIG. 5 is a left side view thereof.
FIG. 6 is a right side view thereof.
FIG. 7 is a bottom-right-front perspective view thereof.
FIG. 8 is a bottom-right-rear perspective view thereof.
FIG. 9 is a top-right-front perspective view thereof; and,
FIG. 10 is a top-left-rear perspective view thereof.

1 Claim, 10 Drawing Sheets



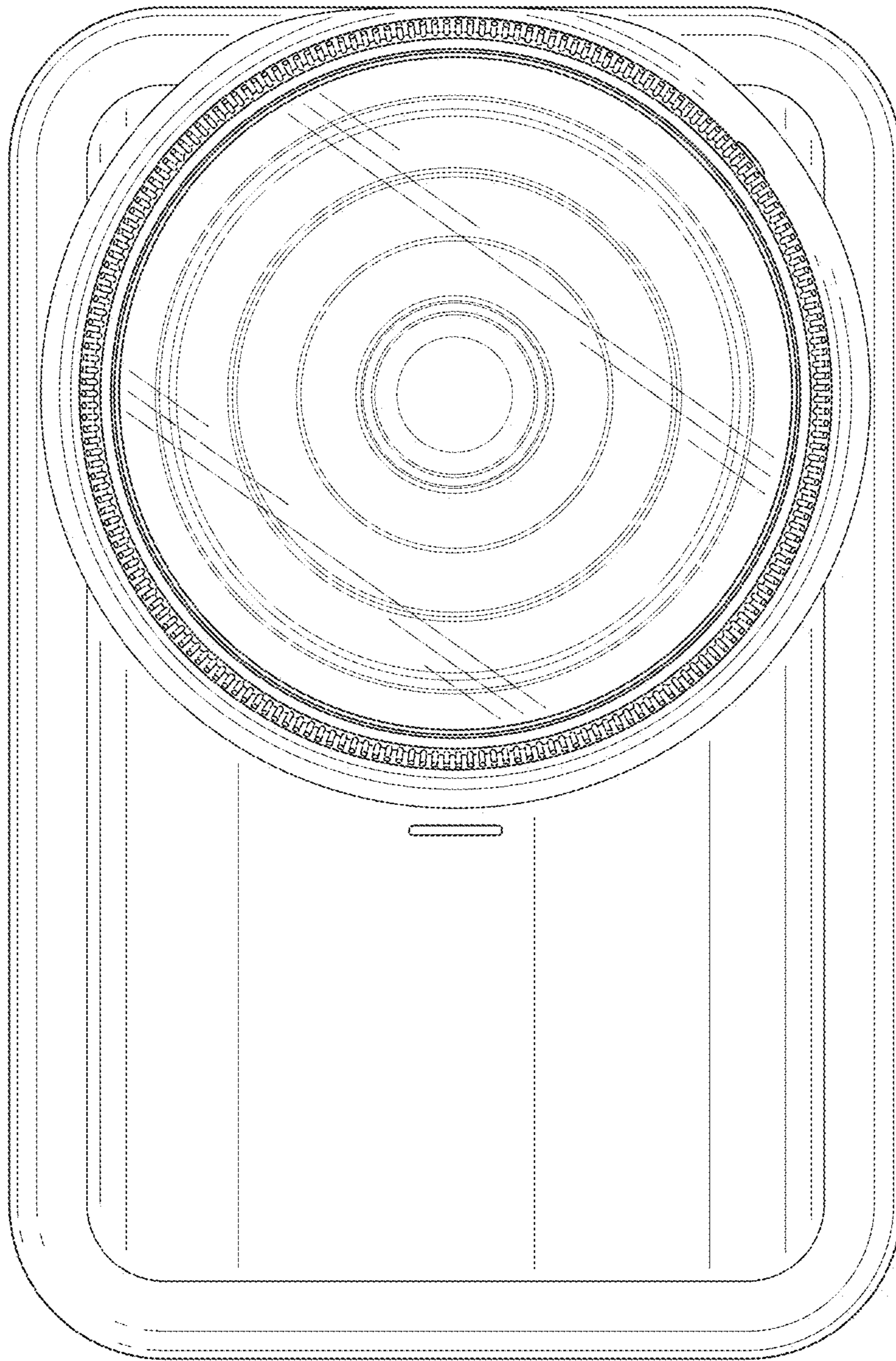


FIG. 1

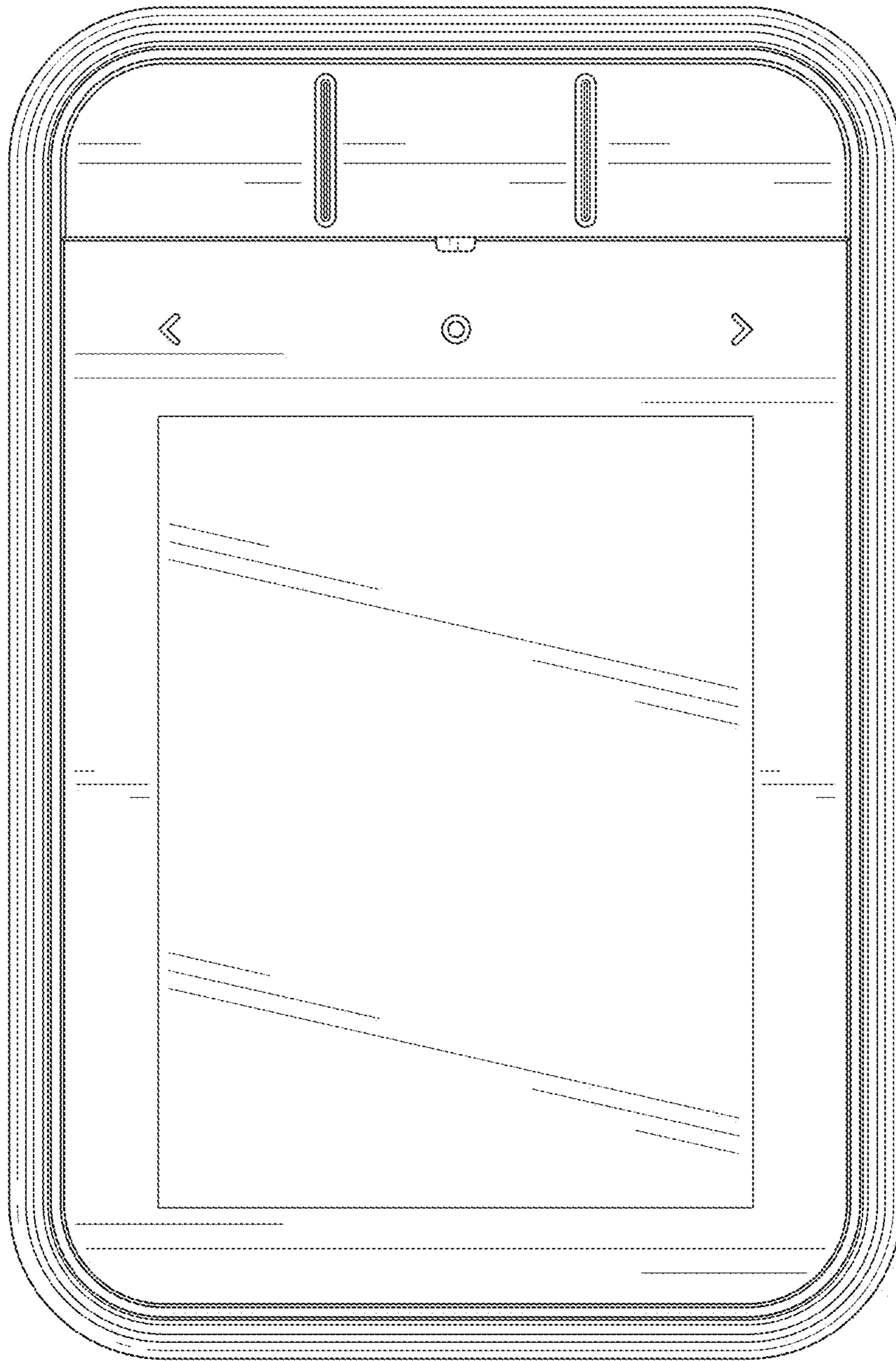


FIG. 2

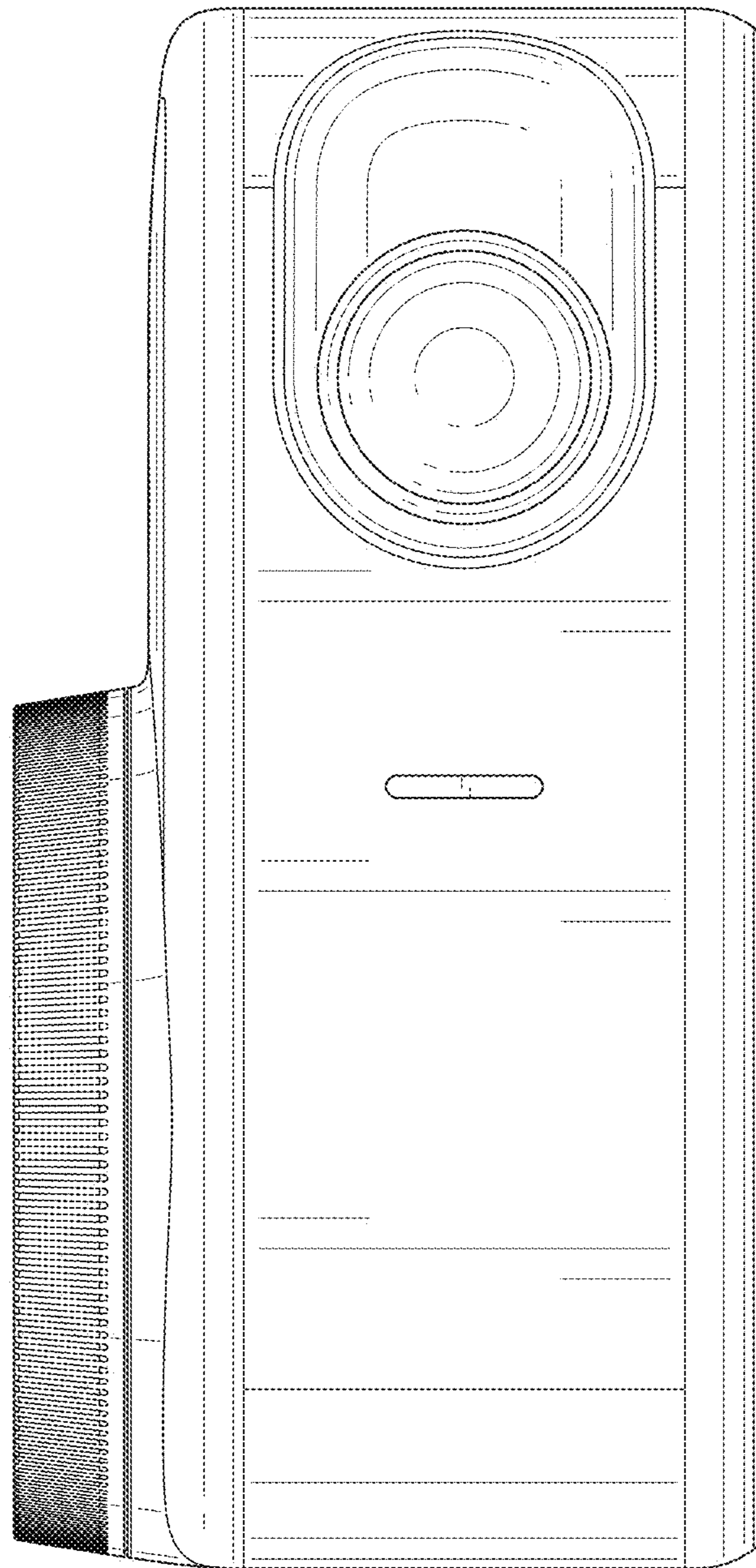


FIG. 3

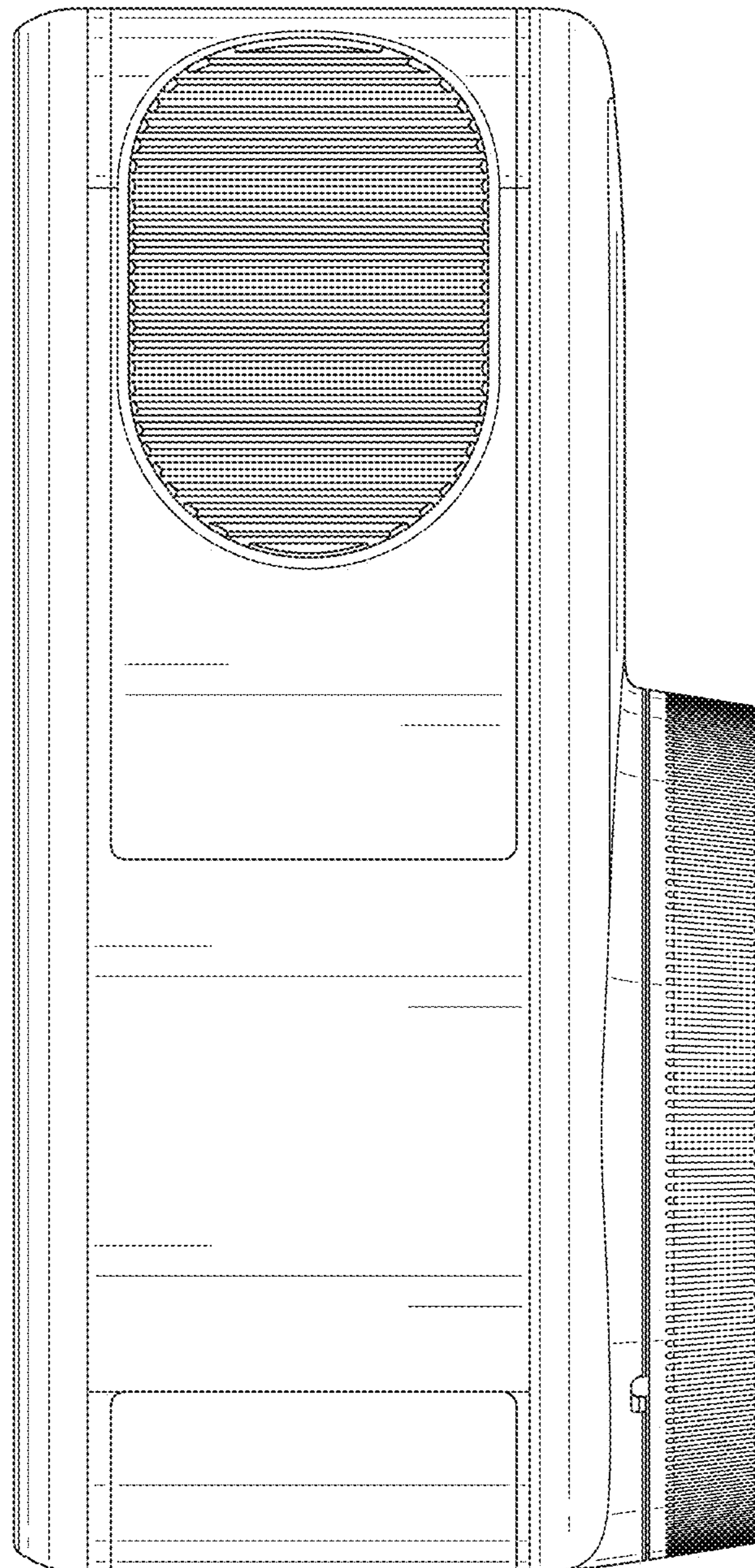


FIG. 4

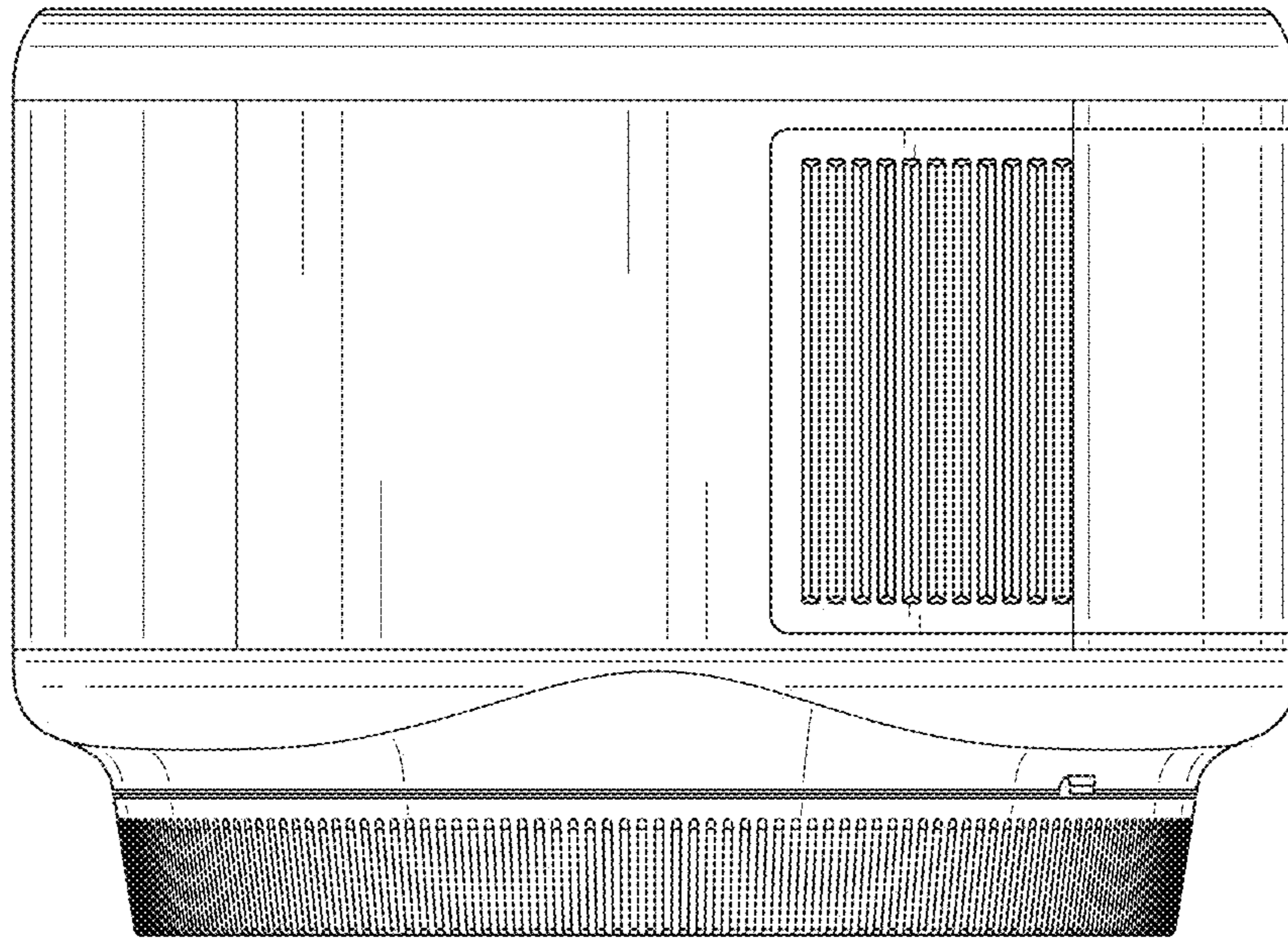


FIG. 5

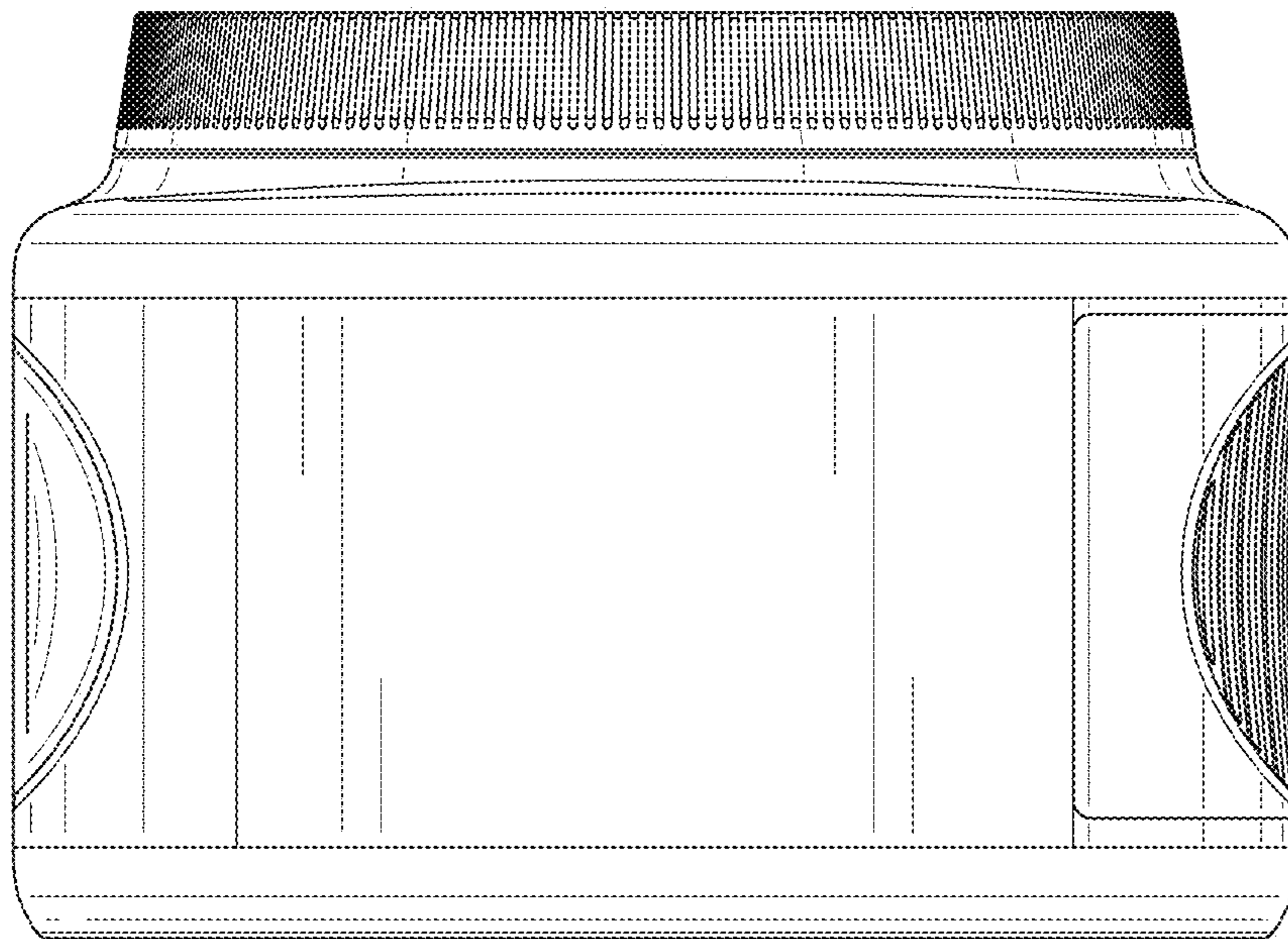


FIG. 6

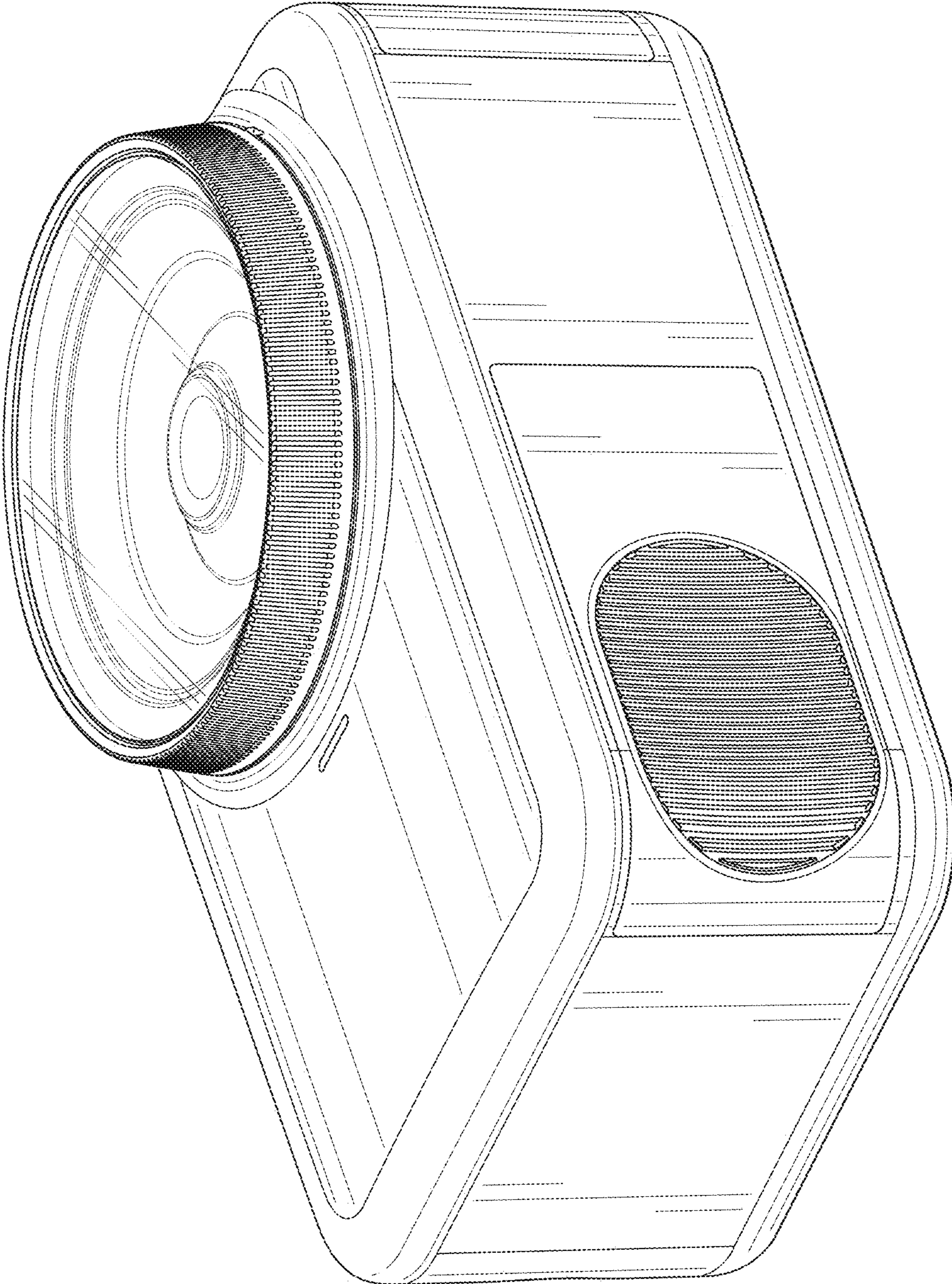


FIG. 7

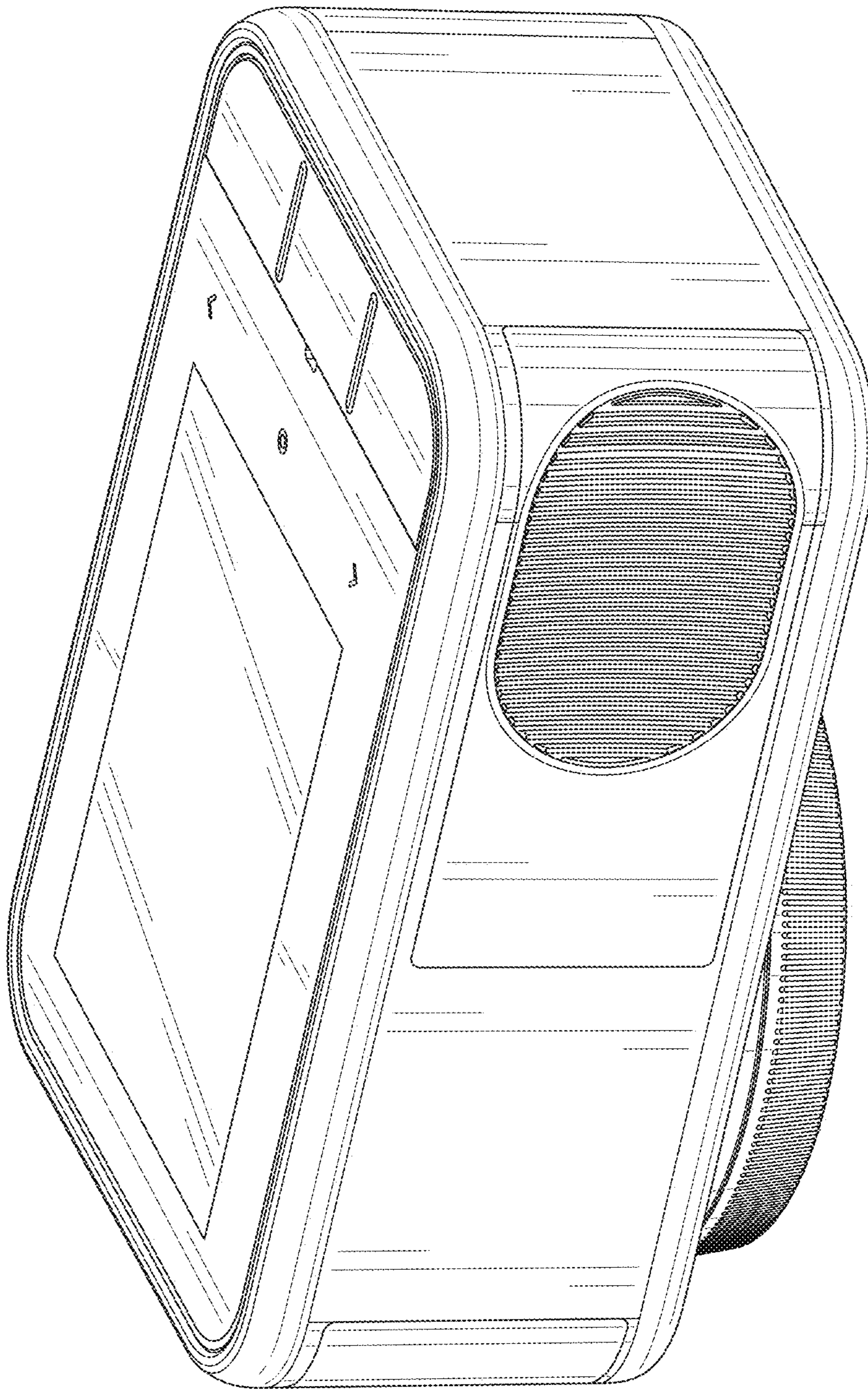


FIG. 8

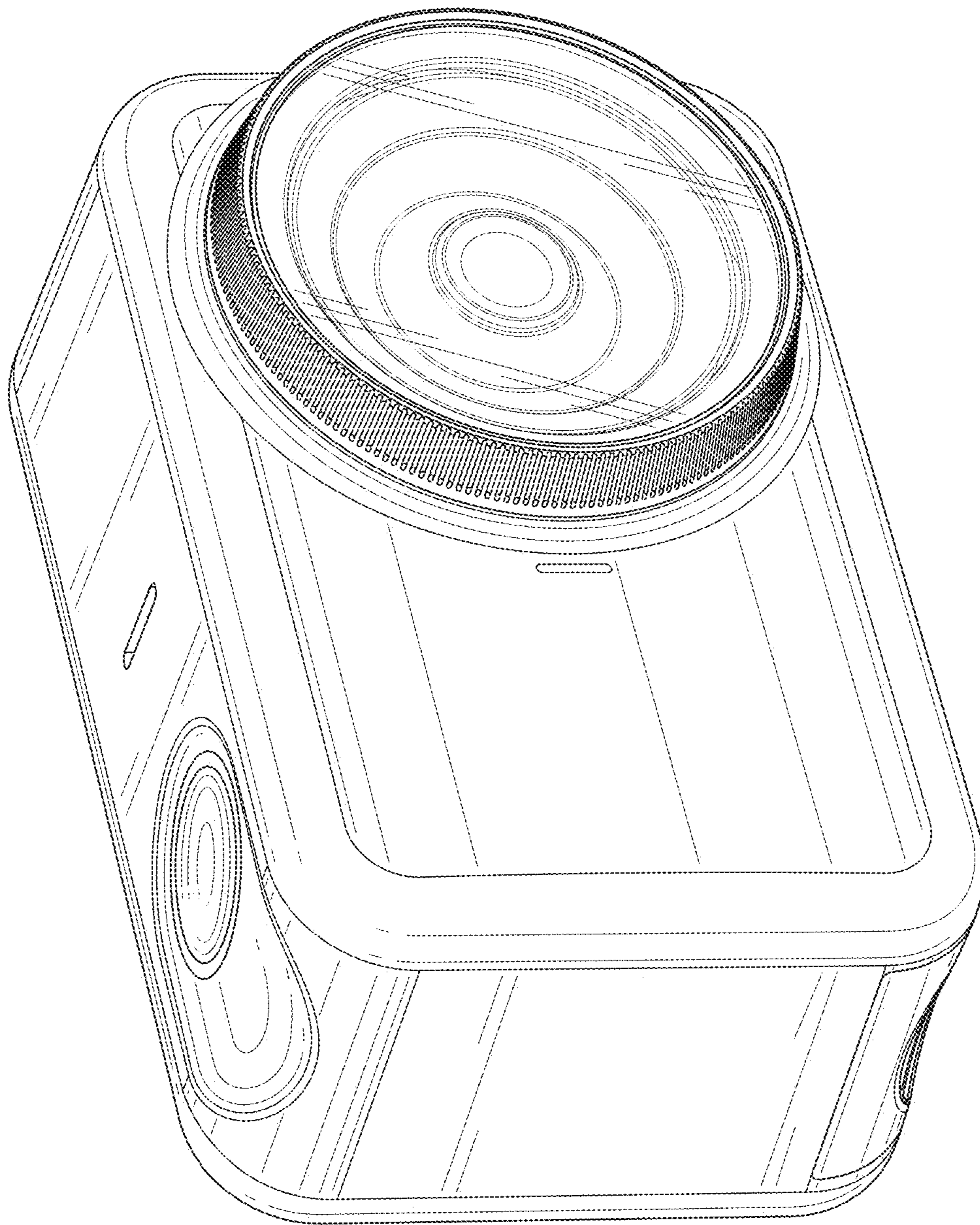


FIG. 9

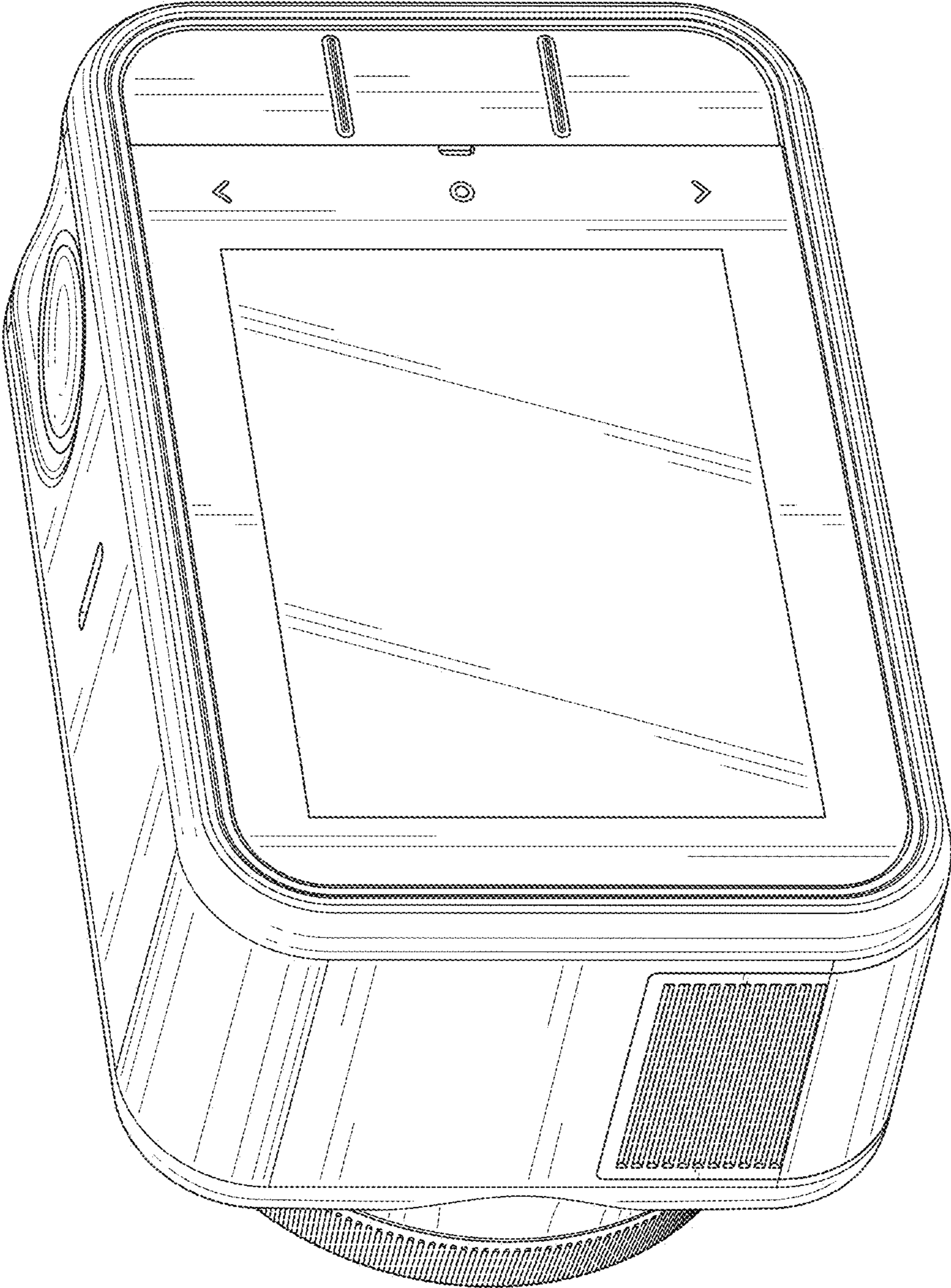


FIG. 10