



US00D893575S

(12) **United States Design Patent**
Kyte et al.

(10) **Patent No.:** **US D893,575 S**

(45) **Date of Patent:** **** Aug. 18, 2020**

(54) **CAMERA WITH CAMERA STAND**

(71) Applicant: **Centrica Connected Home Limited,**
Windsor (GB)

(72) Inventors: **Jessica Kyte,** Windsor (GB); **Yves Behar,** Windsor (GB); **William Stuart,** Windsor (GB)

(73) Assignee: **Centrica Hive Limited,** Windsor (GB)

(**) Term: **15 Years**

(21) Appl. No.: **29/623,668**

(22) Filed: **Oct. 26, 2017**

(51) **LOC (12) Cl.** **16-01**

(52) **U.S. Cl.**

USPC **D16/202; D16/214**

(58) **Field of Classification Search**

USPC D16/200, 202–206, 212, 214–216, 218,
D16/219, 227, 229, 235, 239, 240, 242,
D16/244; D25/16; 52/27.5, 29, 36.1;
348/373–376; 396/2, 3, 5, 419, 424, 427,
396/429, 535, 539–541; 455/575.3

CPC G03B 15/00; G03B 15/03; G03B 15/06;
G03B 17/02; G03B 17/04; G03B 17/53;
G03B 17/56; G03B 19/04; H04N 5/2251;
H04N 5/2252; H04N 5/2253; H04N
5/2254; H04N 2101/00

See application file for complete search history.

(56) **References Cited**

U.S. PATENT DOCUMENTS

D396,869 S * 8/1998 Yamakawa D16/202
D575,316 S * 8/2008 Liu D16/202

D721,754 S * 1/2015 Chen D16/202
D730,421 S * 5/2015 Huang D16/202
D733,781 S * 7/2015 Chen D16/202
D741,932 S * 10/2015 Huang D16/202
D743,467 S * 11/2015 Bhattacharya D16/203
D754,233 S * 4/2016 Du D16/211
D755,876 S * 5/2016 Moss D16/214
D784,434 S * 4/2017 Benedetti D16/202
9,625,792 B2 * 4/2017 Kilgore F16M 11/2064
D813,289 S * 3/2018 Laffon de Mazieres D16/202
D818,028 S * 5/2018 Ramones D16/214

* cited by examiner

Primary Examiner — Ramzi S Almatrahi

(57) **CLAIM**

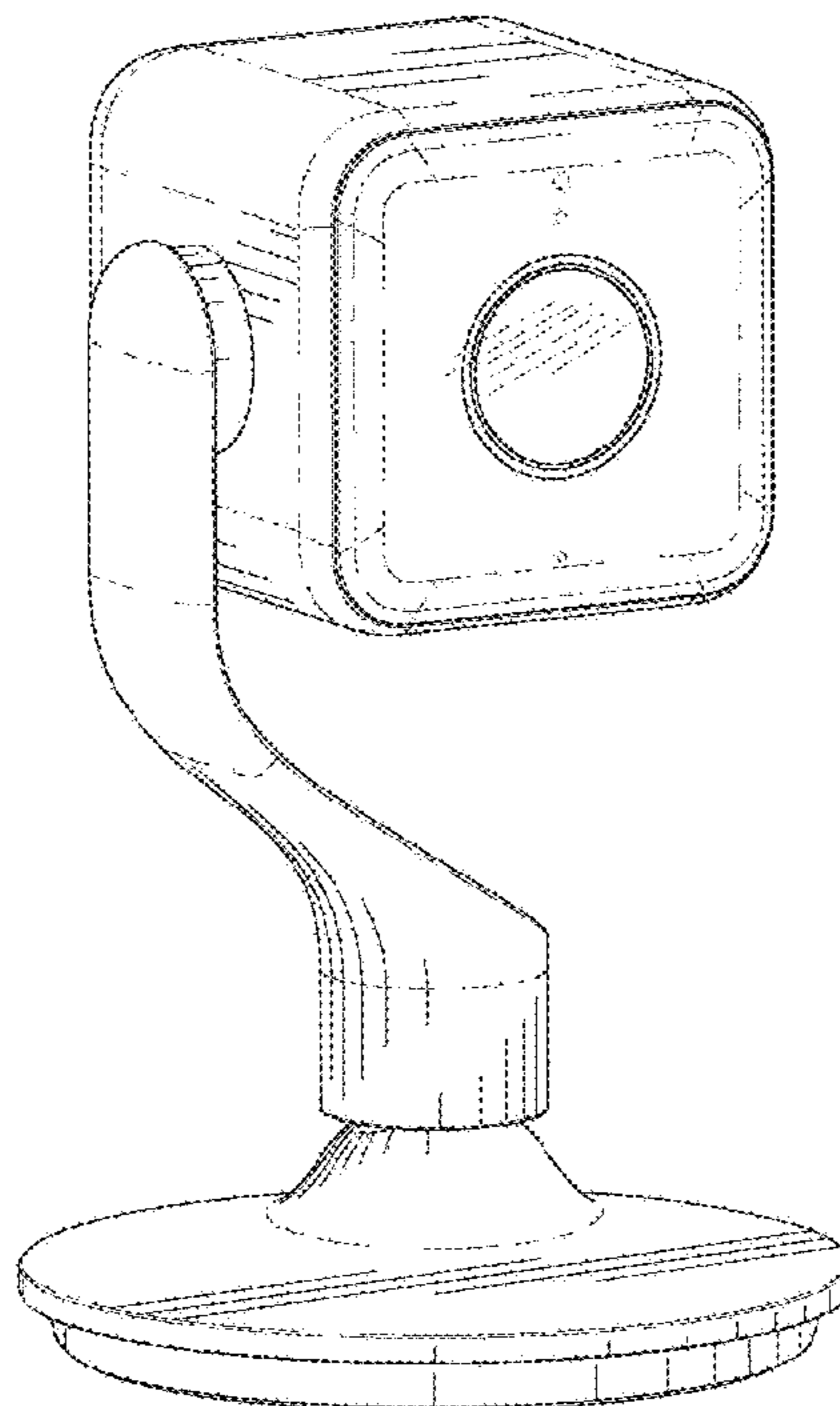
The ornamental design for a camera with camera stand, as shown and described.

DESCRIPTION

FIG. 1 is a front view of a camera with camera stand, showing our new design;
FIG. 2 is a left side view thereof;
FIG. 3 is a rear view thereof;
FIG. 4 is a right side view thereof;
FIG. 5 is a top view thereof;
FIG. 6 is a bottom view thereof; and,
FIG. 7 is a perspective view thereof.

The broken lines depict portions of the camera with camera stand in which the design is embodied that form no part of the claimed design.

1 Claim, 7 Drawing Sheets



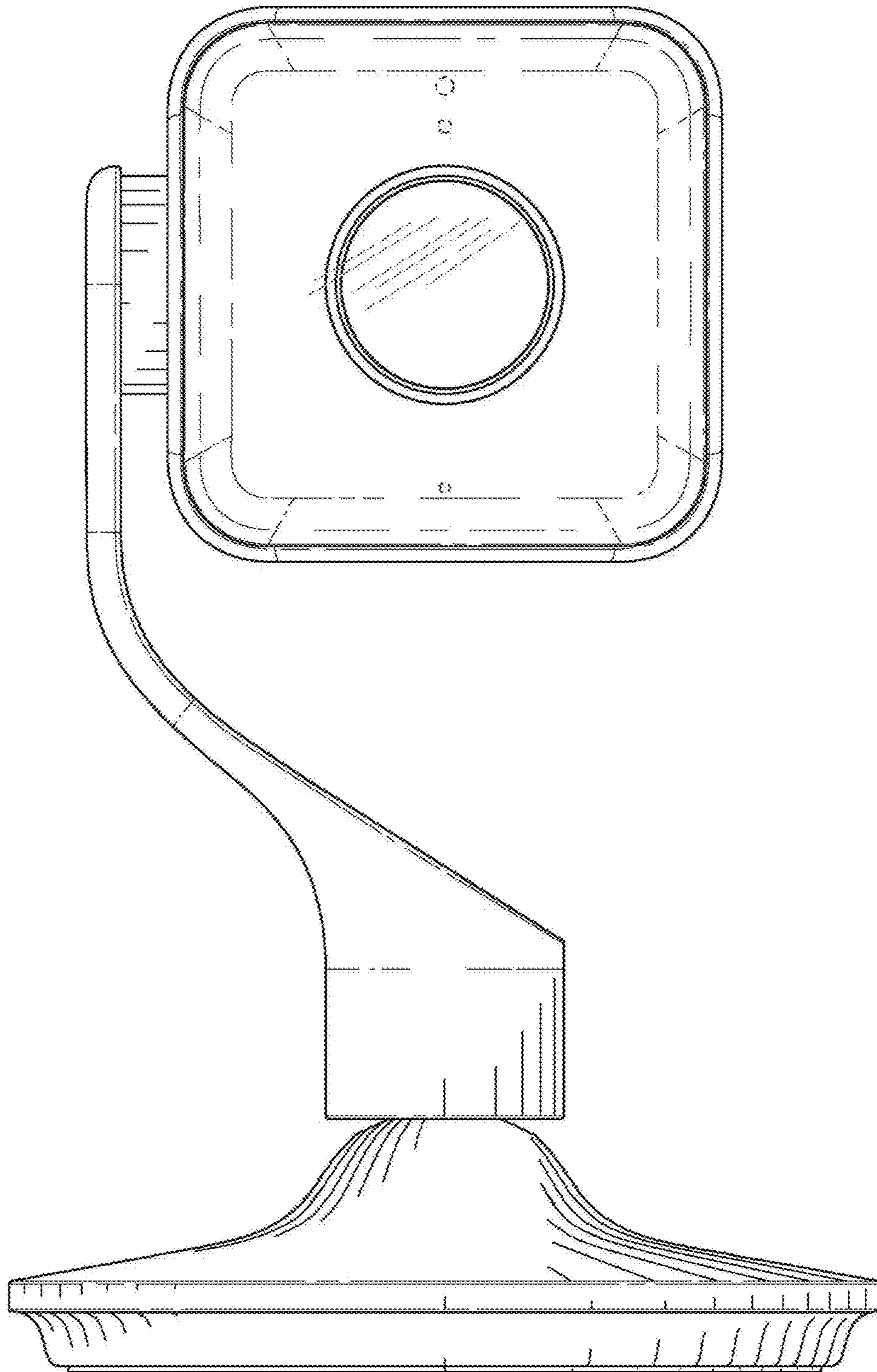


FIG. 1

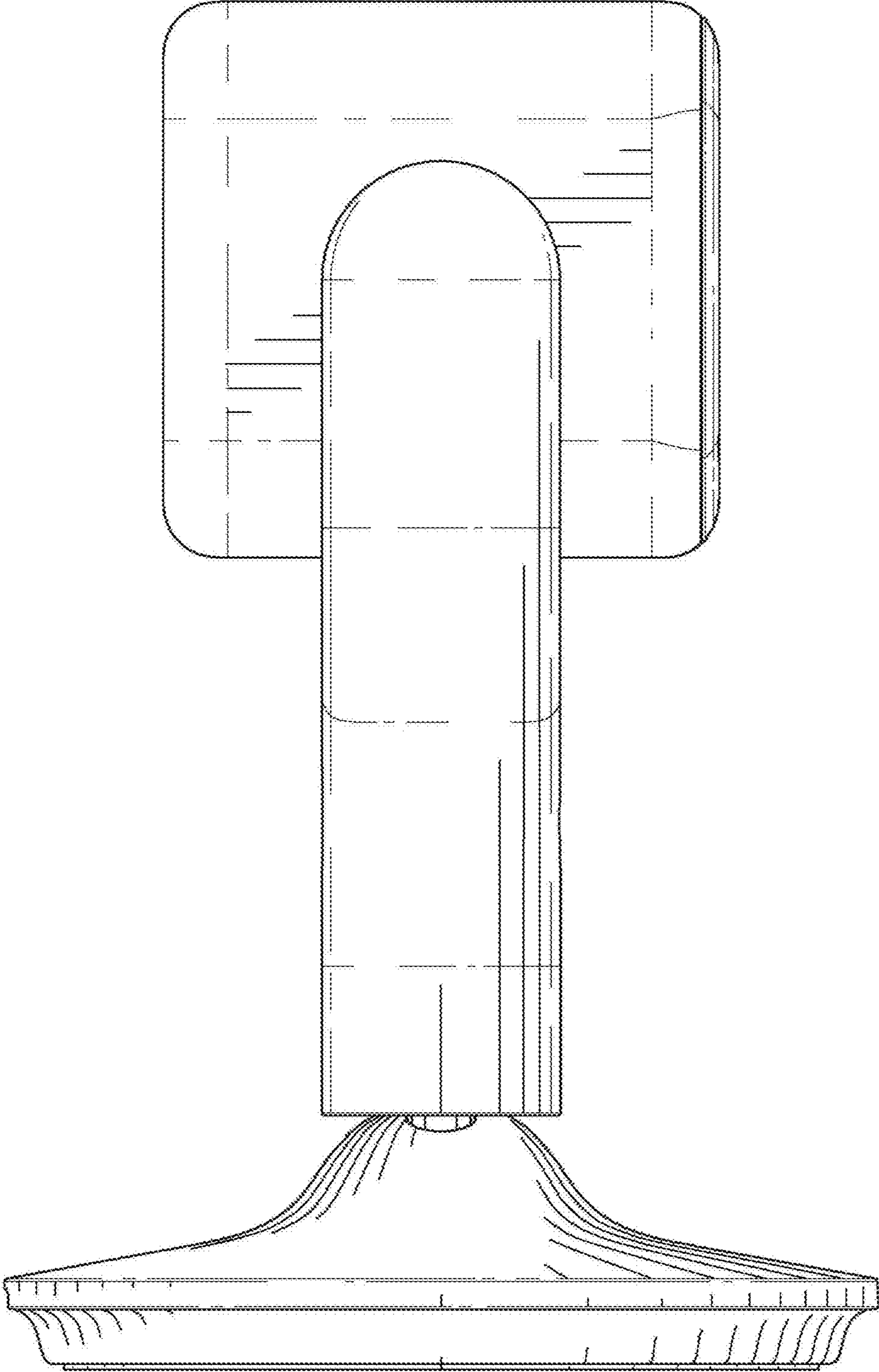


FIG. 2

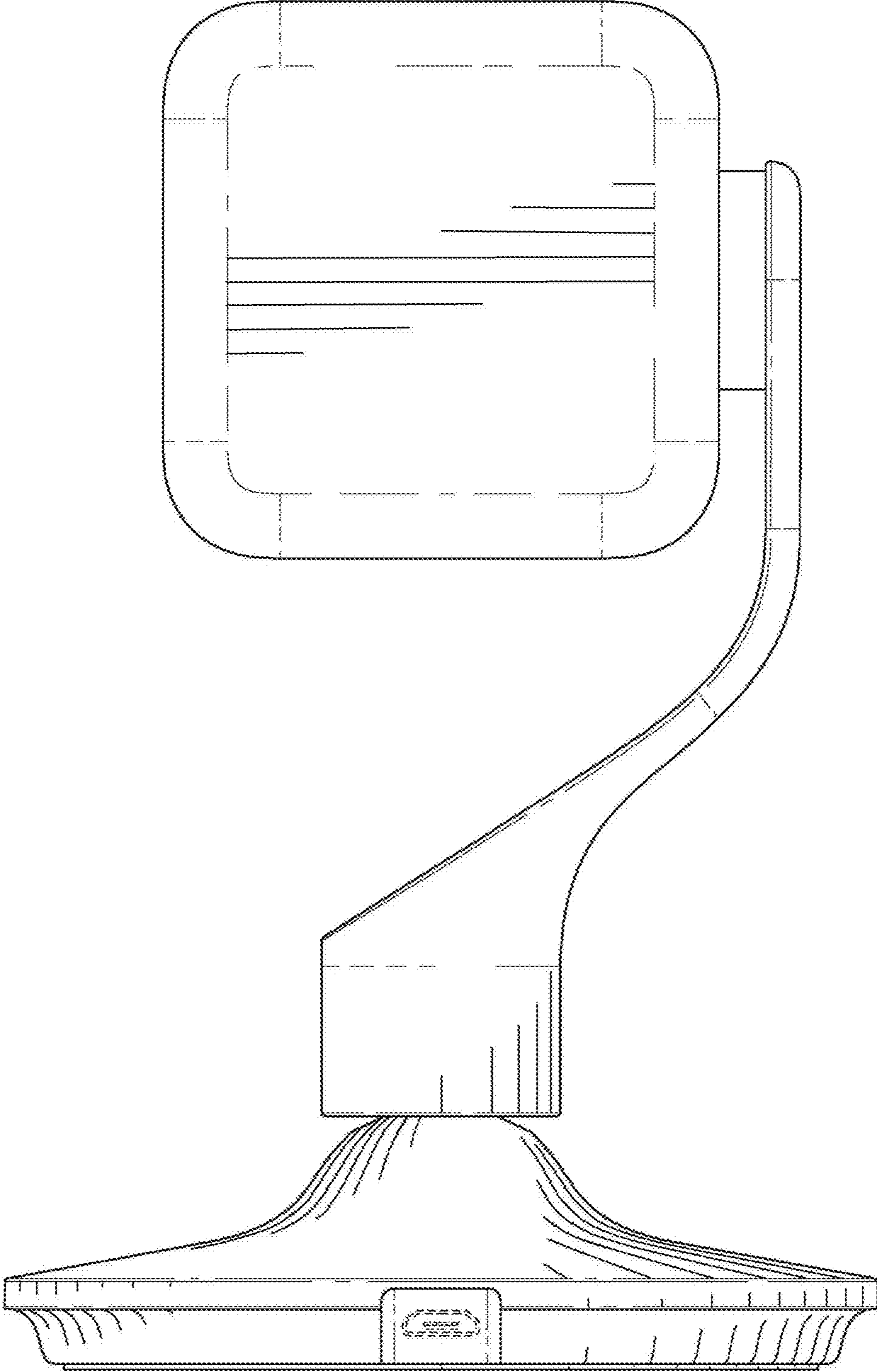


FIG. 3

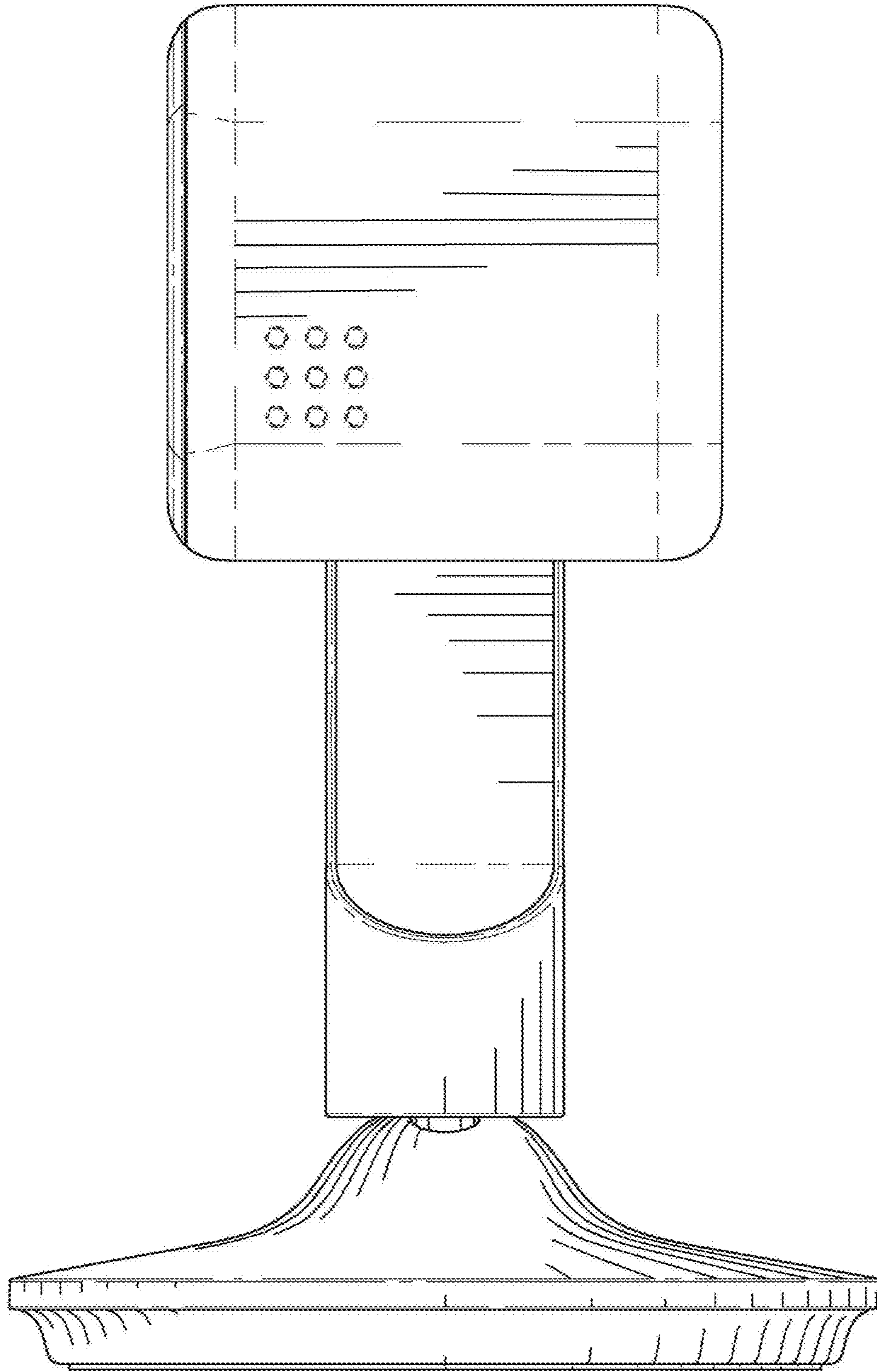


FIG. 4

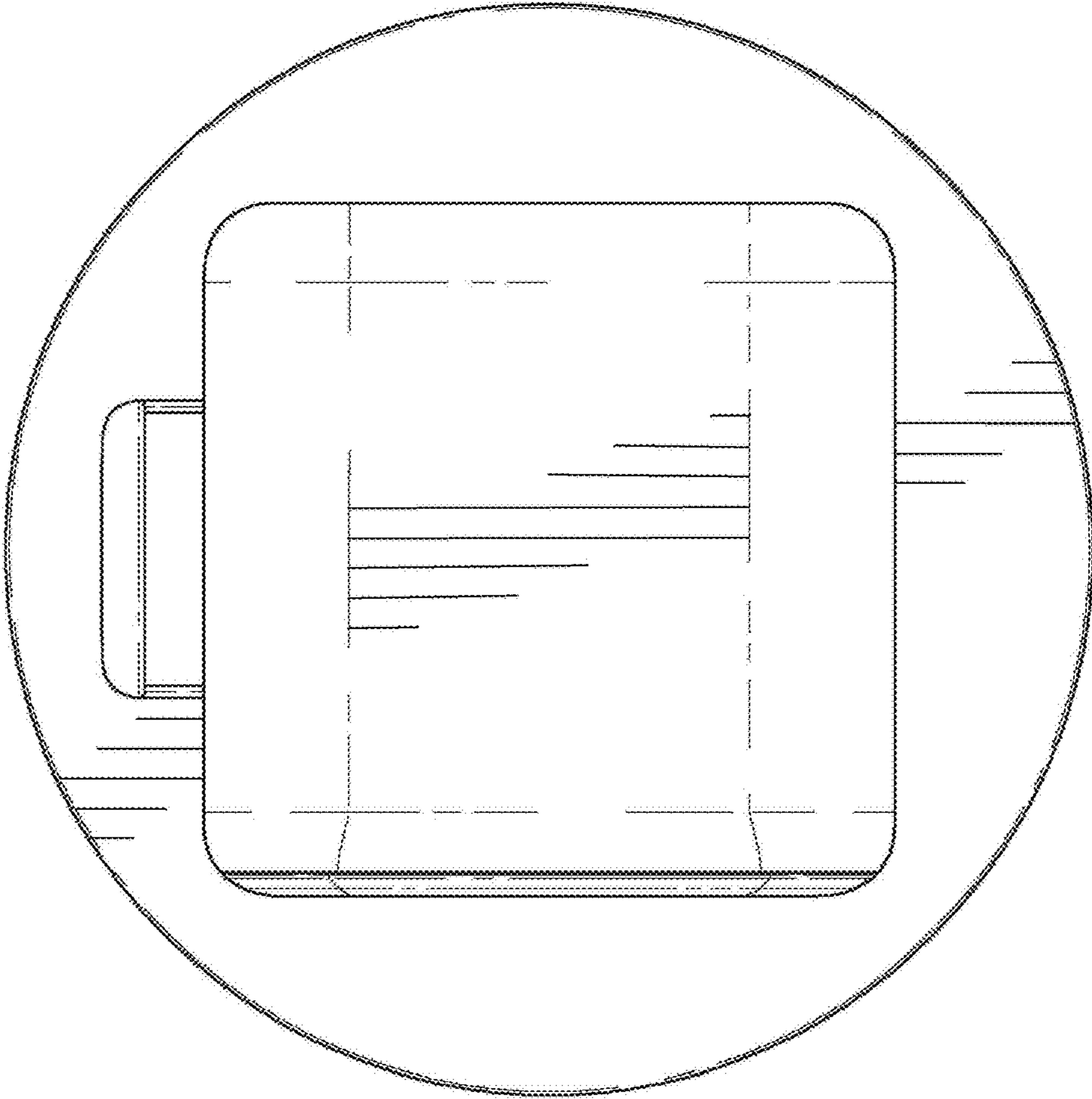


FIG. 5

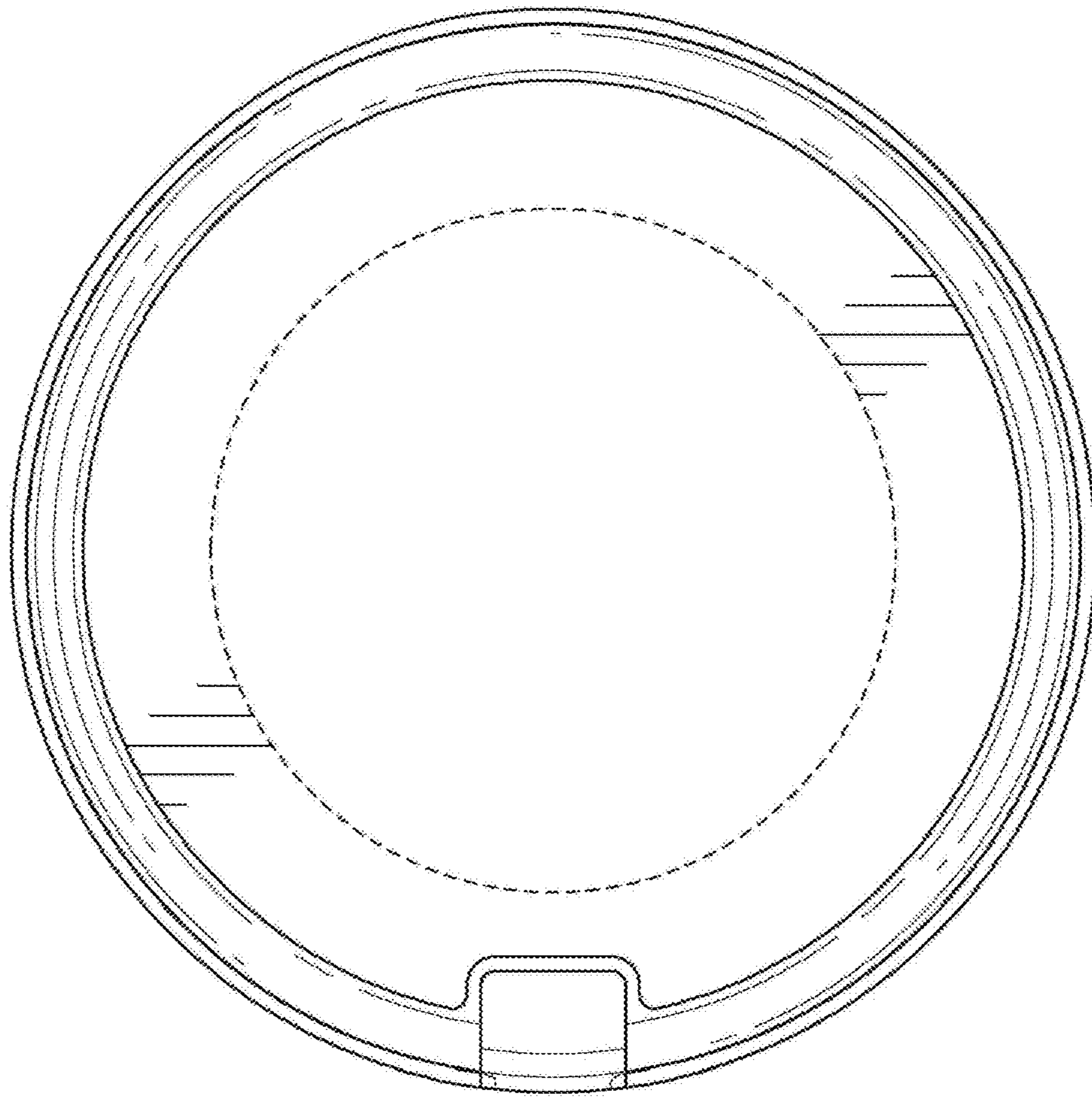


FIG. 6

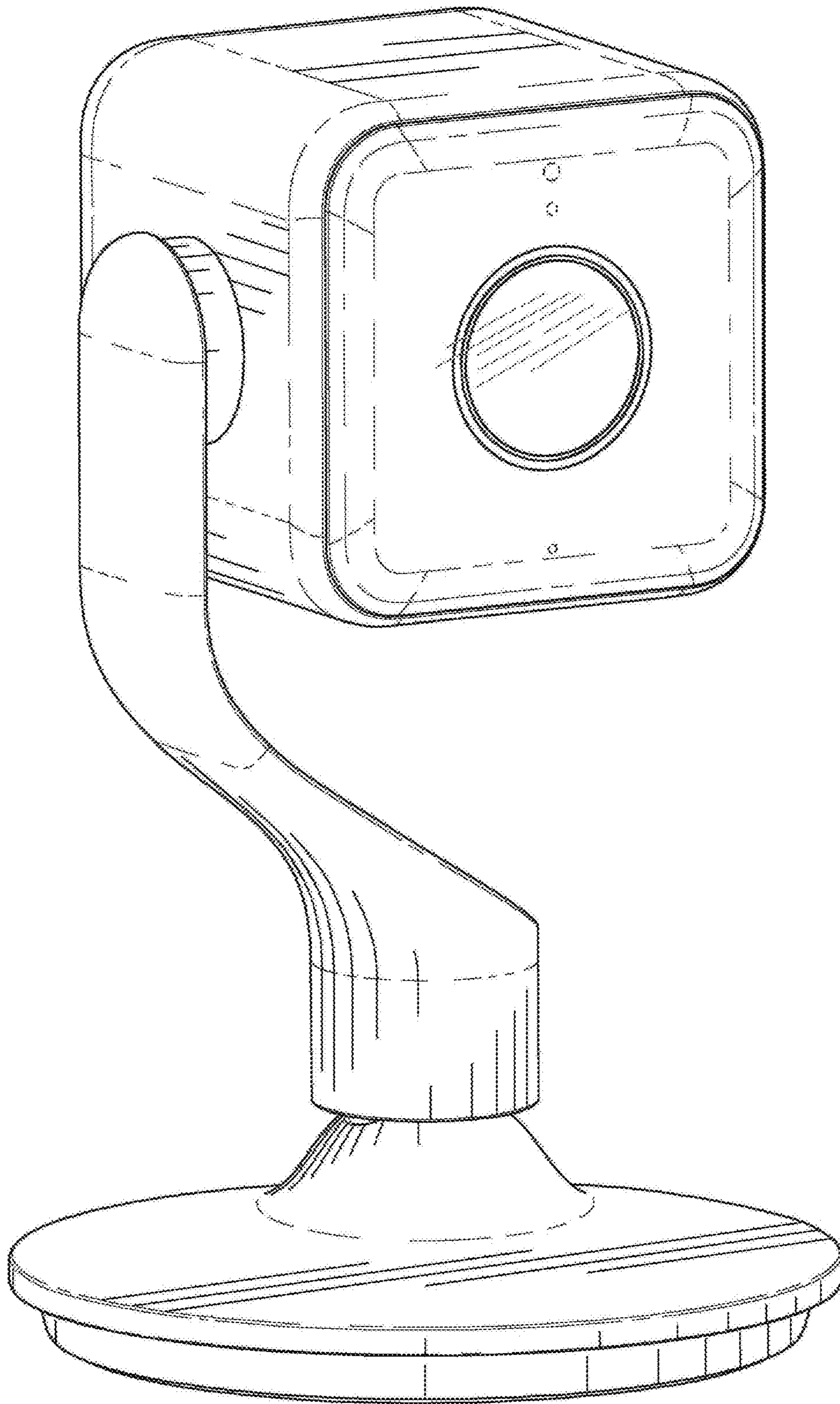


FIG. 7