

US00D893572S

(12) **United States Design Patent**
Kim et al.

(10) **Patent No.:** **US D893,572 S**

(45) **Date of Patent:** **** *Aug. 18, 2020**

(54) **ARTIFICIAL INTELLIGENCE ROBOT**

(71) Applicant: **Samsung Electronics Co., Ltd.**,
Suwon-si (KR)

(72) Inventors: **Donghun Kim**, Suwon-si (KR);
Kicheol Pak, Suwon-si (KR); **Jooho**
Seo, Suwon-si (KR); **Minhyouk Lee**,
Suwon-si (KR); **Sungho Lee**, Suwon-si
(KR)

(73) Assignee: **Samsung Electronics Co., Ltd.**,
Suwon-si (KR)

(*) Notice: This patent is subject to a terminal dis-
claimer.

(**) Term: **15 Years**

(21) Appl. No.: **29/686,421**

(22) Filed: **Apr. 4, 2019**

(30) **Foreign Application Priority Data**

Dec. 20, 2018 (KR) 30-2018-0060639

(51) **LOC (12) Cl.** **15-99**

(52) **U.S. Cl.**
USPC **D15/199**

(58) **Field of Classification Search**
USPC D15/199; D21/578–583, 621, 622;
D32/21

CPC B25J 5/007; B60B 19/006; B62D 57/024;
H01F 7/0221; Y10S 901/01

See application file for complete search history.

(56) **References Cited**

U.S. PATENT DOCUMENTS

D450,788 S * 11/2001 Kawasaki D21/578
D457,200 S * 5/2002 Dove D21/533
D549,756 S * 8/2007 Park D15/199

D579,035 S * 10/2008 Kim B25J 11/008
D15/199
D635,603 S * 4/2011 Paz Rodriguez D15/199
D644,256 S * 8/2011 Kitano D15/199
D725,166 S * 3/2015 Paik D15/199
D761,894 S * 7/2016 Ho D15/199
D777,810 S * 1/2017 Kao D15/122
D780,855 S * 3/2017 Lambert D21/621
D793,145 S * 8/2017 Huang D15/199
D802,040 S * 11/2017 Canoso D15/199
9,878,445 B2 * 1/2018 Angle B25J 5/007

(Continued)

Primary Examiner — Patricia A Palasik

(74) *Attorney, Agent, or Firm* — NSIP Law

(57) **CLAIM**

The ornamental design for an artificial intelligence robot, as
shown and described.

DESCRIPTION

FIG. 1 is a front perspective view of an artificial intelligence
robot showing our new design;

FIG. 2 is a front view thereof;

FIG. 3 is a rear view thereof;

FIG. 4 is a left-side view thereof;

FIG. 5 is a right-side view thereof;

FIG. 6 is a top view thereof;

FIG. 7 is a bottom view thereof;

FIG. 8 is a rear perspective view thereof;

FIG. 9 is another perspective view thereof;

FIG. 10 is another perspective view thereof;

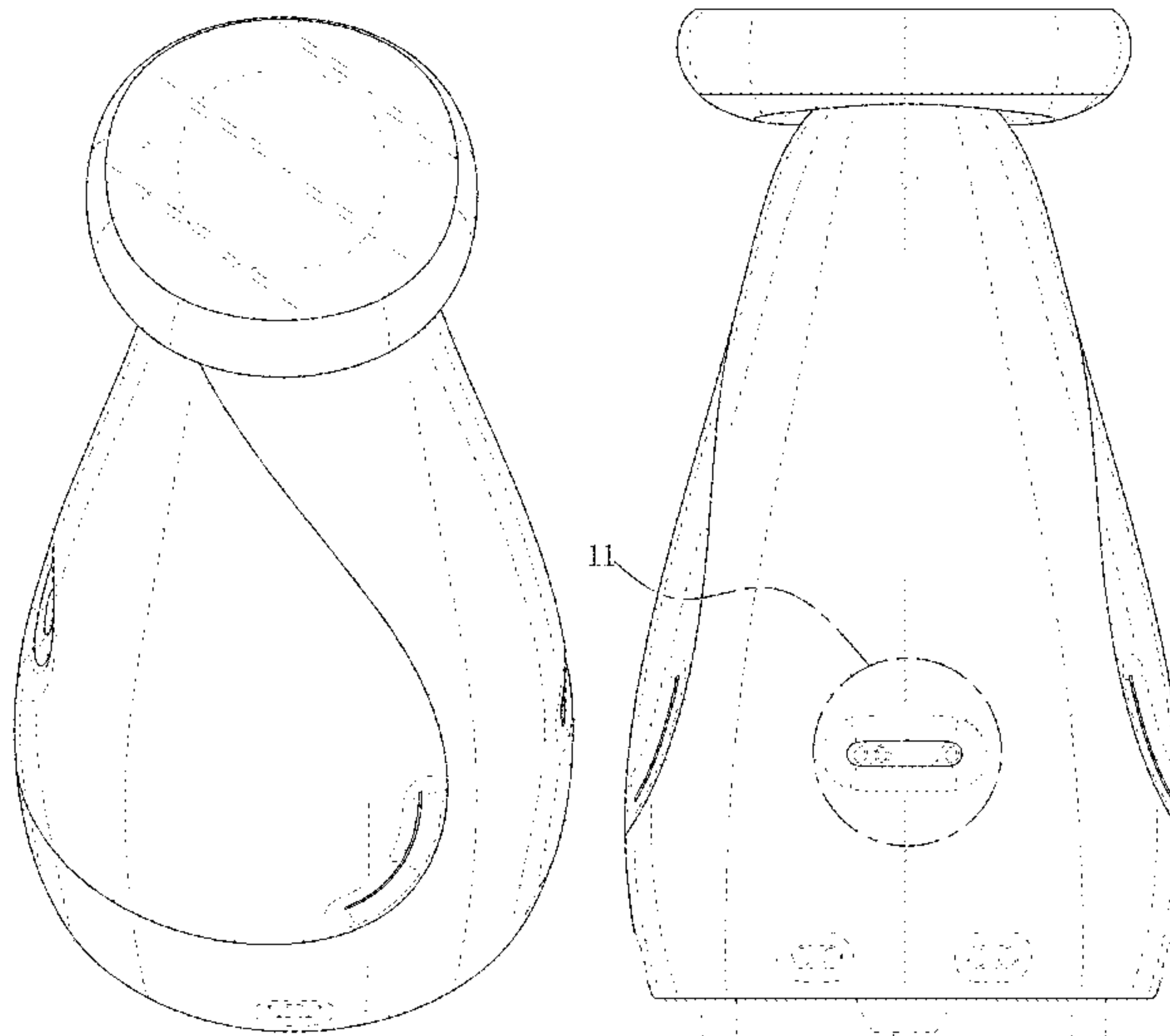
FIG. 11 is an enlarged view of the encircled portion in FIG.
2; and,

FIG. 12 is an enlarged view of the encircled portion in FIG.
10.

The broken lines in the figures depict portions of the
artificial intelligence robot which form no part of the
claimed design.

The dot-dash broken lines encircling portions of the claimed
design that are illustrated in enlargements form no part of the
claimed design.

1 Claim, 12 Drawing Sheets



(56)

References Cited

U.S. PATENT DOCUMENTS

D813,281 S * 3/2018 Kittmann B25J 5/007
D15/199
D817,375 S * 5/2018 Deyle D15/199
D820,334 S * 6/2018 Lee D15/199
D823,917 S * 7/2018 Bernazeau D15/199
D824,980 S * 8/2018 Harris D15/199
D830,438 S * 10/2018 Haddadin D15/199
D832,328 S * 10/2018 Baek D15/199
D836,690 S * 12/2018 Kim D15/199
D838,758 S * 1/2019 Kymm B25J 9/0003
D15/199
D840,453 S * 2/2019 Yoo D15/199
D847,914 S * 5/2019 Hayashi D21/585
D855,673 S * 8/2019 Sutherland D15/199
D869,533 S * 12/2019 Kim D15/199
D870,787 S * 12/2019 Kim D15/199
2018/0178375 A1* 6/2018 Yang B25J 9/0003
2020/0030972 A1* 1/2020 Kim B25J 9/163

* cited by examiner

FIG. 1

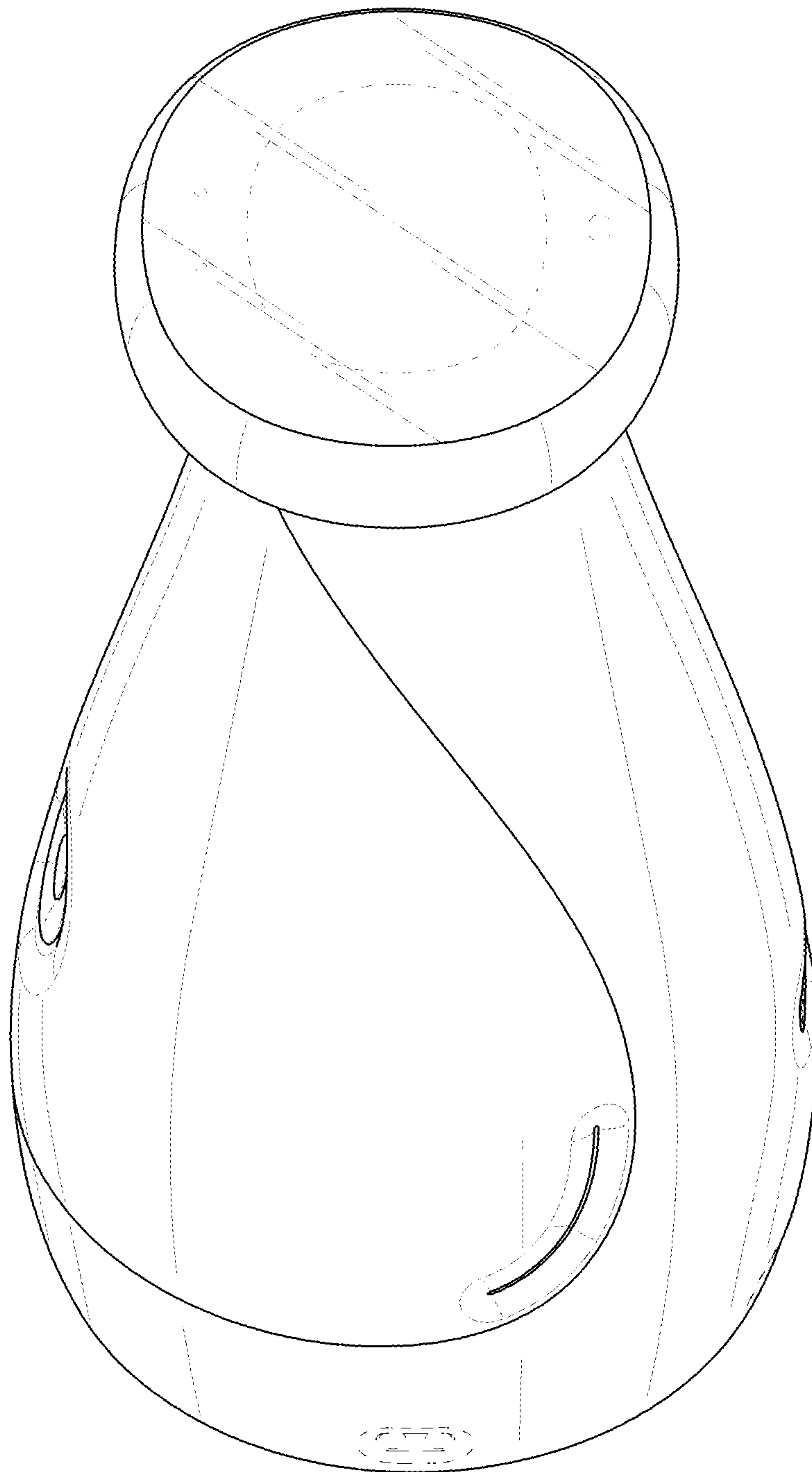


FIG. 2

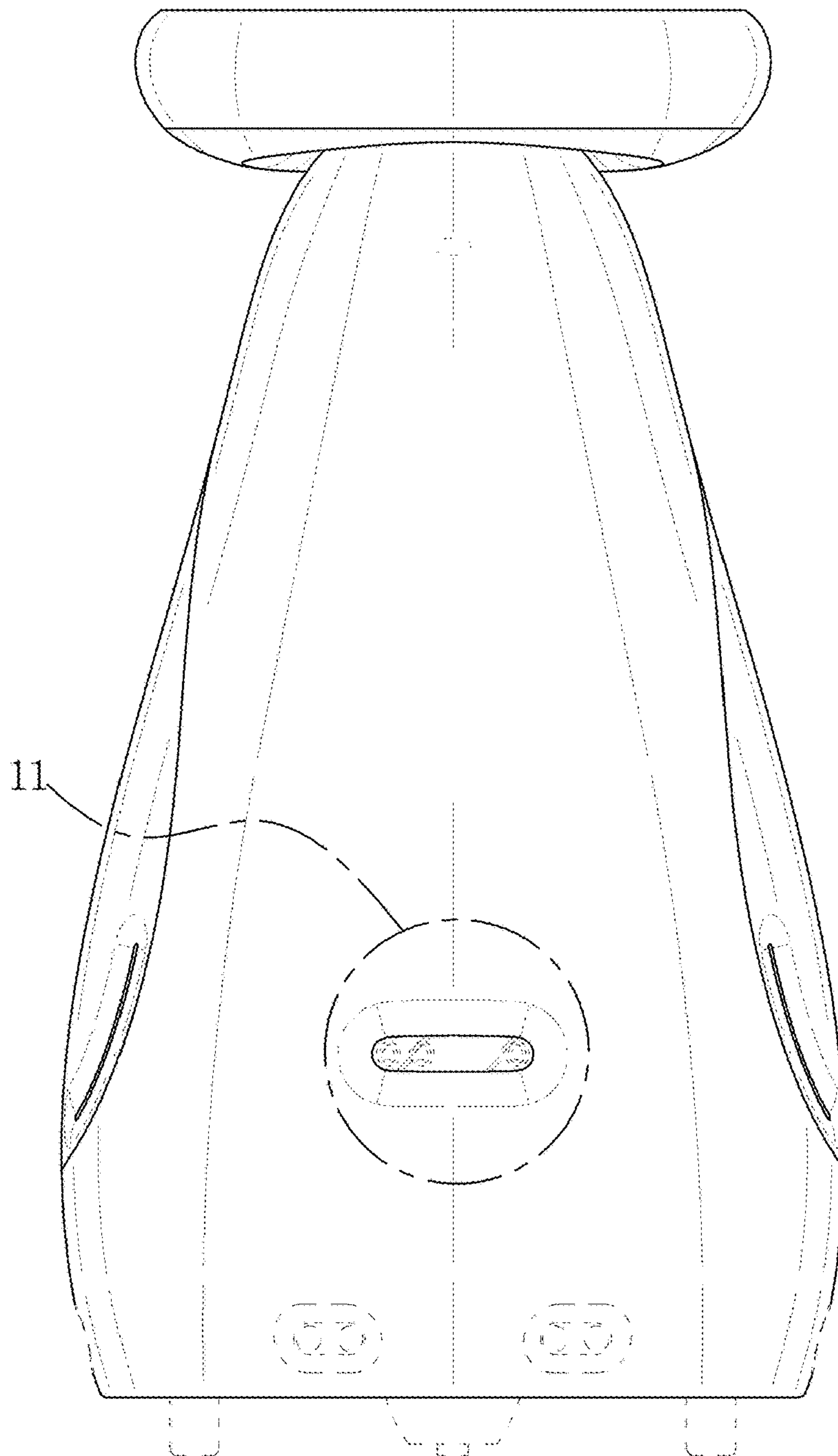


FIG. 3

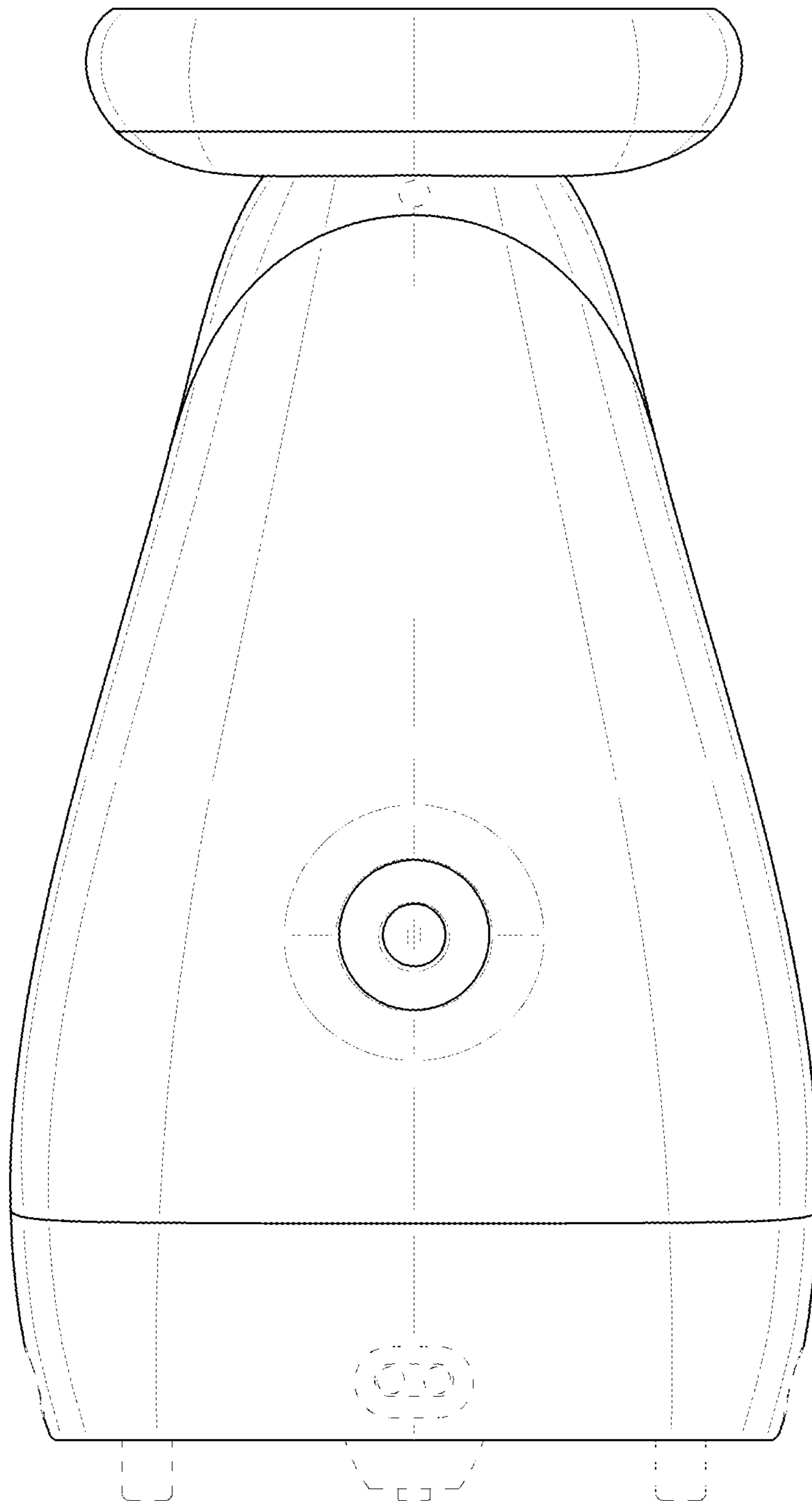


FIG. 4



FIG. 5



FIG. 6

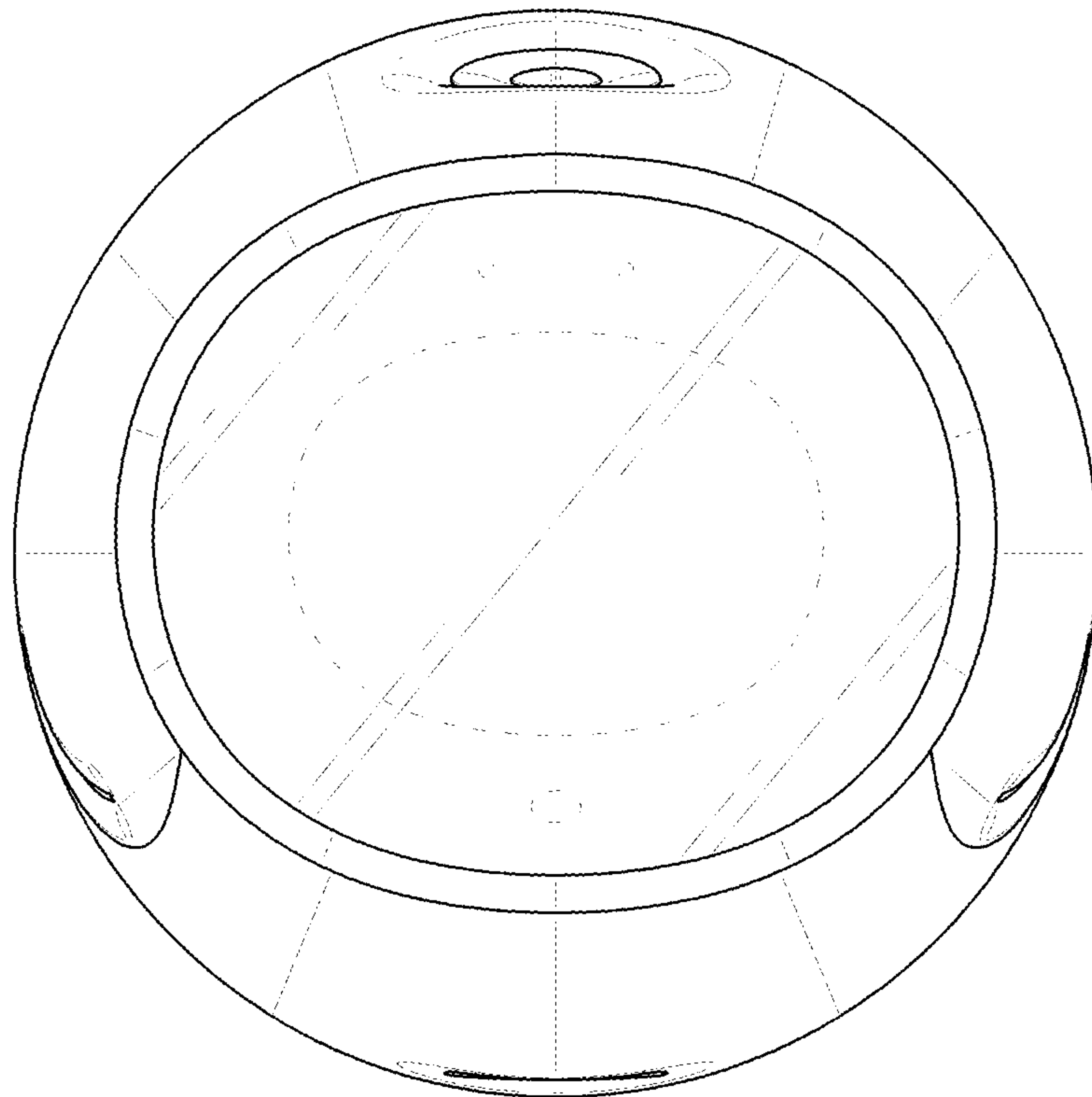


FIG. 7

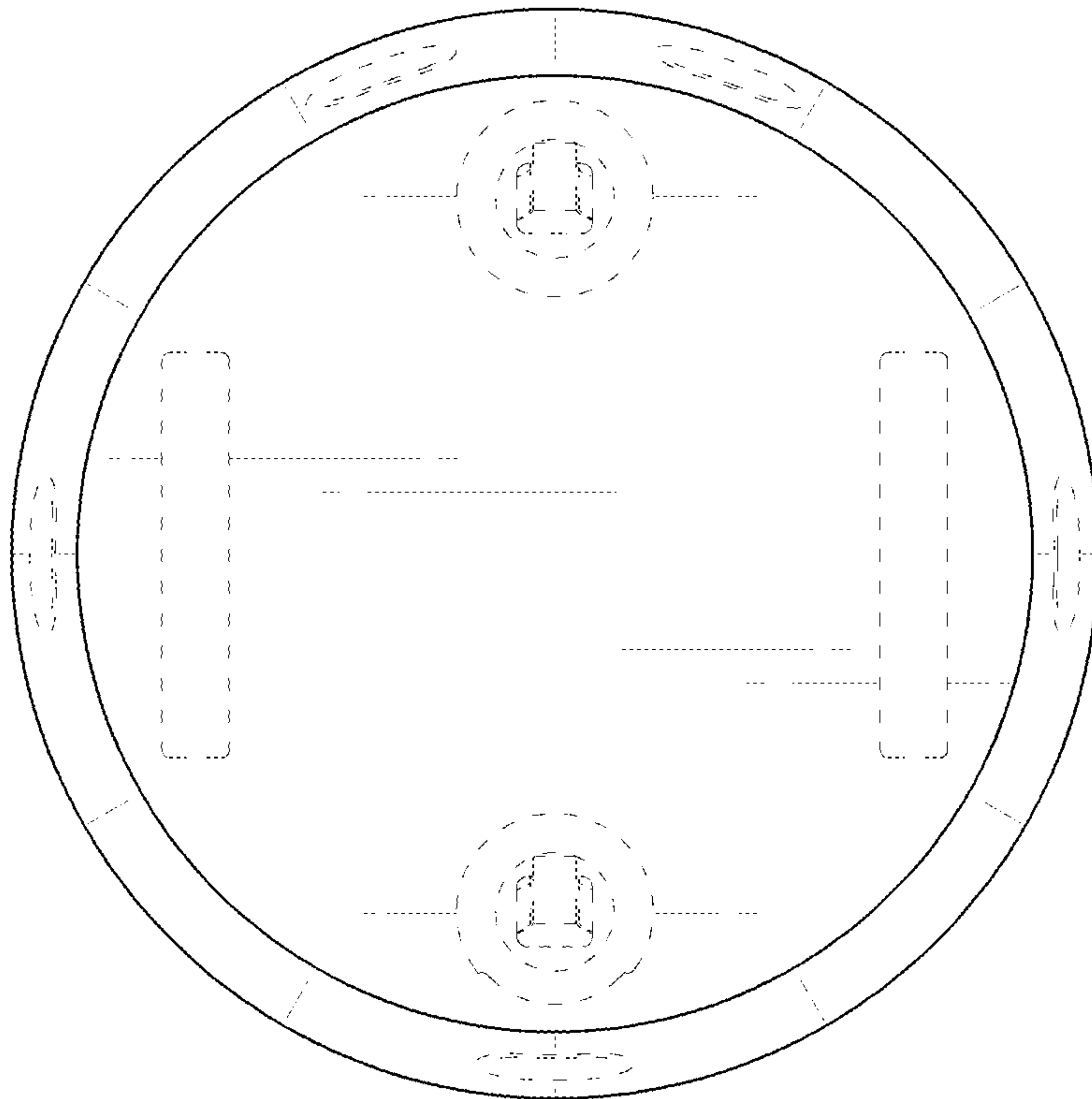


FIG. 8

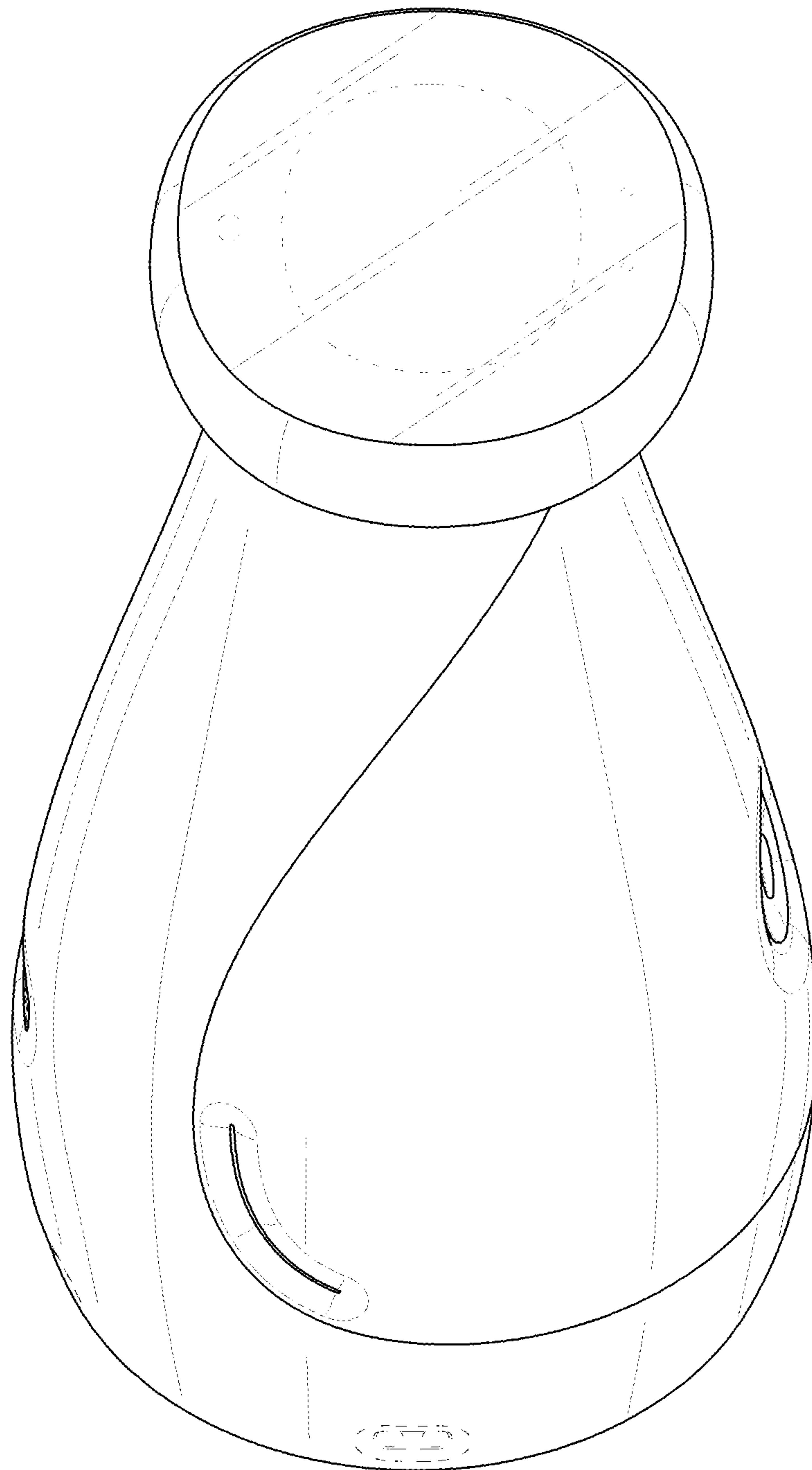


FIG. 9

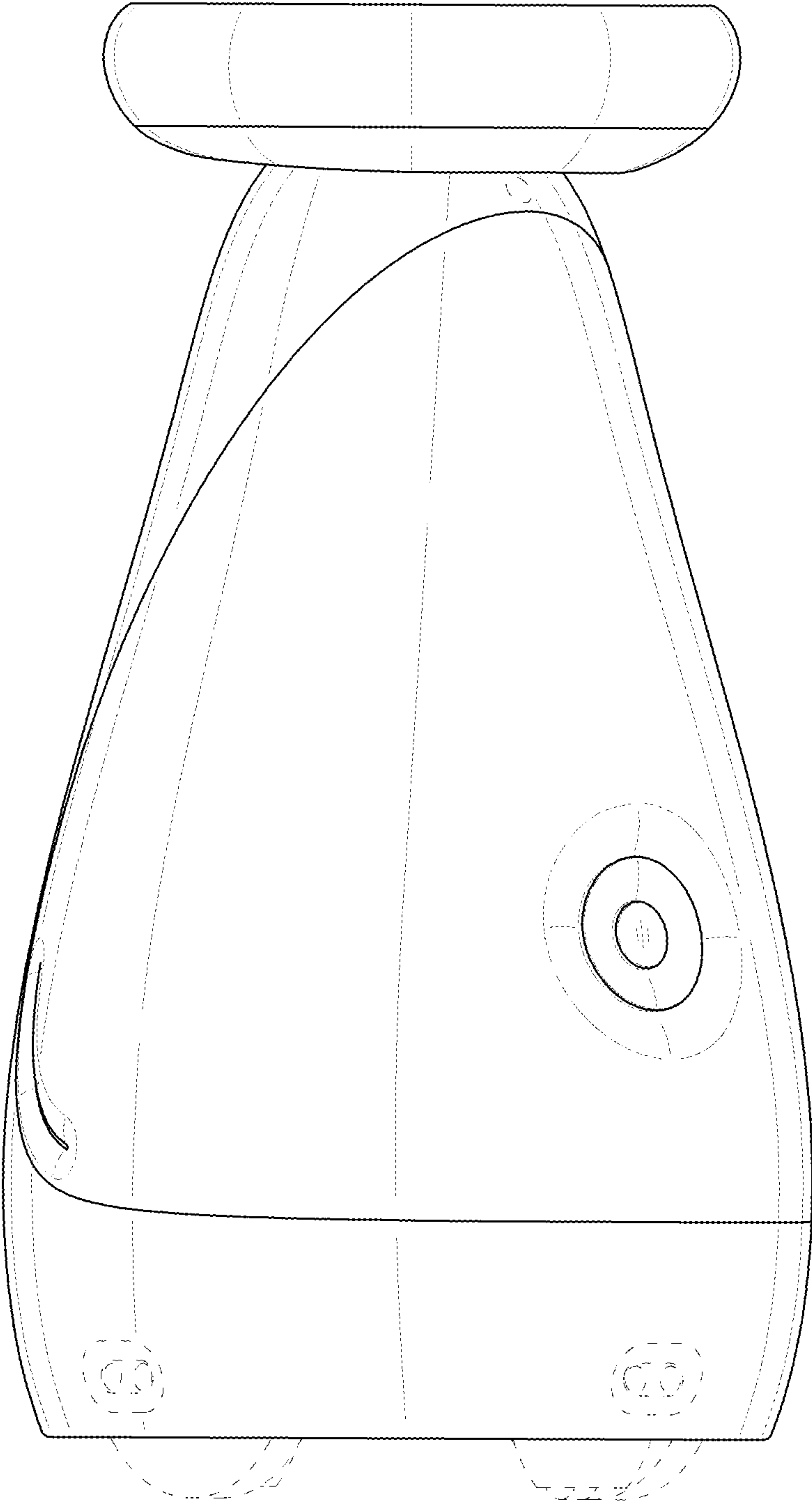


FIG. 10

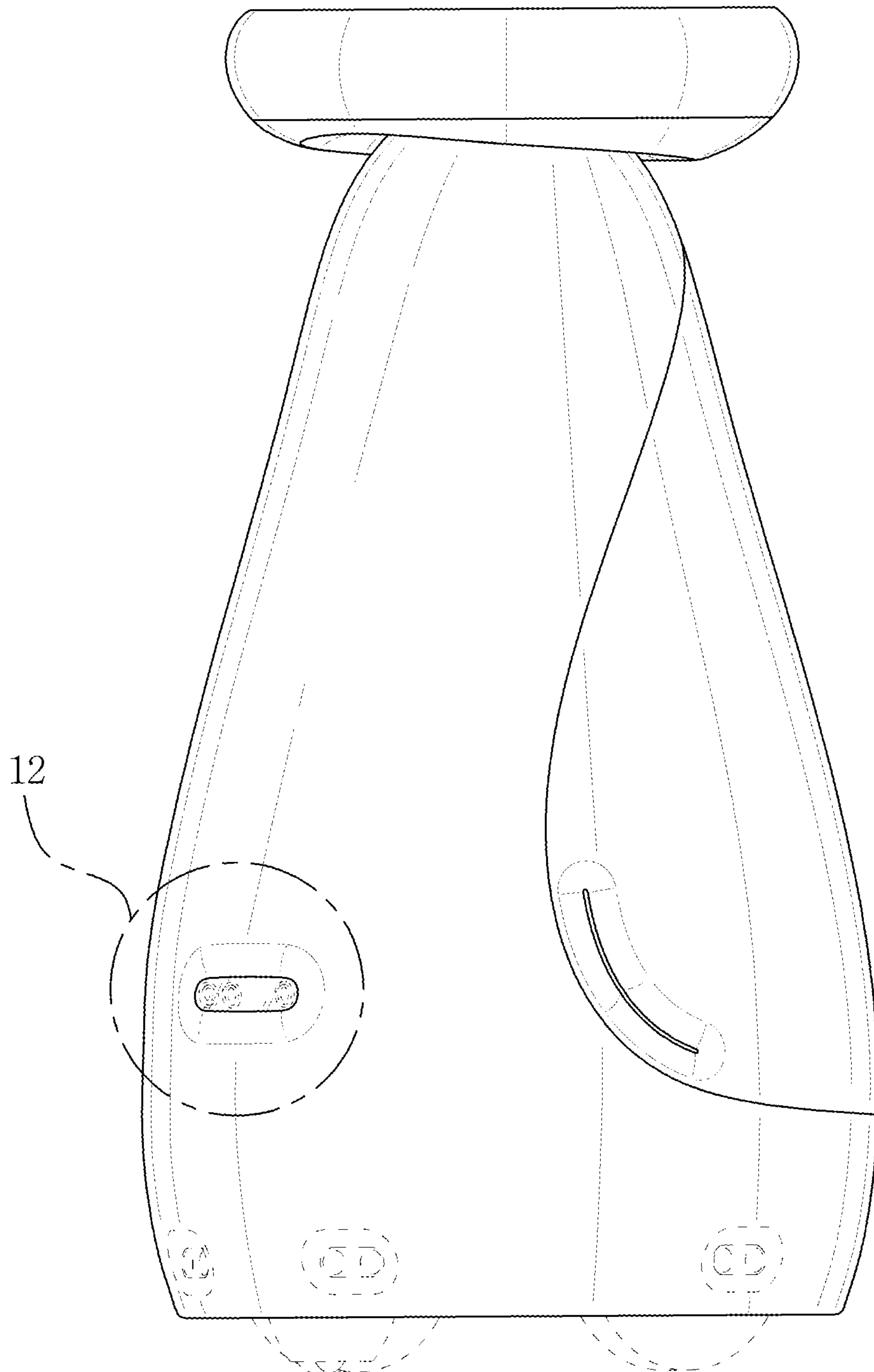


FIG. 11

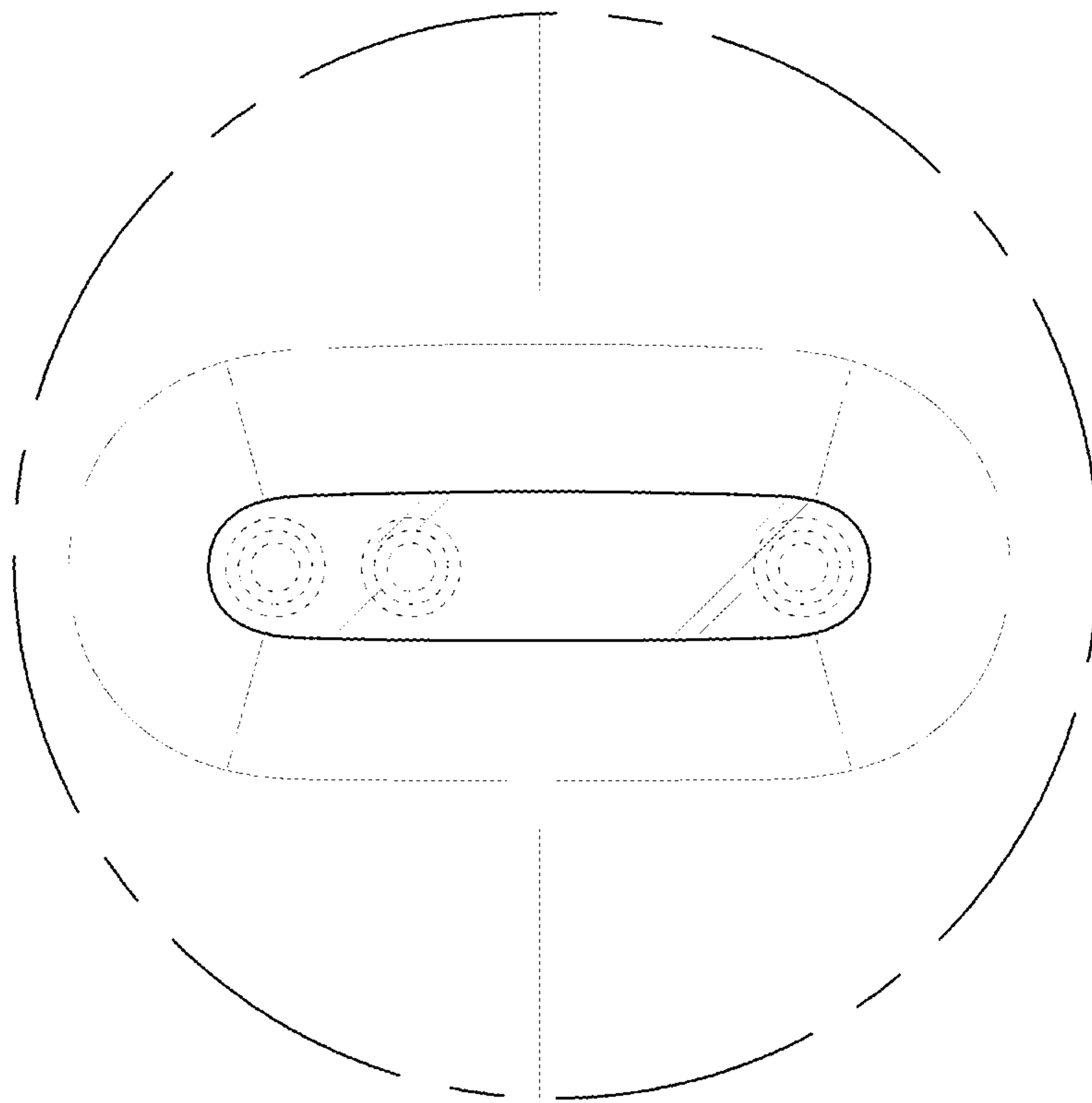


FIG. 12

