



US00D893571S

(12) **United States Design Patent** (10) **Patent No.:** **US D893,571 S**
Everman (45) **Date of Patent:** **** Aug. 18, 2020**

(54) **ROBOTIC ARM**

(71) Applicant: **Mobius Imaging, LLC**, Shirley, MA (US)

(72) Inventor: **Michael Everman**, Santa Barbara, CA (US)

(73) Assignee: **Mobius Imaging, LLC**, Shirley, MA (US)

(**) Term: **15 Years**

(21) Appl. No.: **29/658,835**

(22) Filed: **Aug. 3, 2018**

Related U.S. Application Data

(63) Continuation of application No. 29/577,095, filed on Sep. 9, 2016, now Pat. No. Des. 824,977.

(51) **LOC (12) Cl.** **15-99**

(52) **U.S. Cl.**
USPC **D15/199**

(58) **Field of Classification Search**
USPC D15/126, 138, 199; D21/345, 350, D21/360-362, 383, 384, 398, 399, 414, D21/415, 418, 428, 455, 503, 504, 528, D21/529, 558, 578, 579, 594, 612, 621, D21/627, 658; D24/138, 155, 185, 198, D24/205, 208, 211, 231, 232; D29/124, D29/129
CPC G06N 3/00; G06N 3/004; G06N 3/006; G06N 3/008; A63H 3/00; G05B 19/00; B05N 5/00; G06C 7/60; B25J 9/00; B25J 9/104

See application file for complete search history.

(56) **References Cited**

U.S. PATENT DOCUMENTS

D461,484 S 8/2002 Kraft
D496,952 S 10/2004 D'Andreta

7,410,483 B2 8/2008 Danitz
7,597,025 B2 10/2009 Narita et al.
7,646,161 B2 1/2010 Klbu-Schaffer et al.
D613,781 S 4/2010 Liu
7,836,788 B2 11/2010 Kamon et al.
7,841,256 B2 11/2010 Hama et al.
D638,043 S 5/2011 Tsuchiya

(Continued)

OTHER PUBLICATIONS

Manipulator/Robotic Arm, posted on icrobotics.com, no posted date given, no production date given, [online], [site visited Jul. 17, 2017], Available from Internet, <URL: http://icrobotics.com/robot_arm.html>.

(Continued)

Primary Examiner — Brett Miller

Assistant Examiner — Fritzgerald L Butac

(74) *Attorney, Agent, or Firm* — Howard & Howard Attorneys PLLC

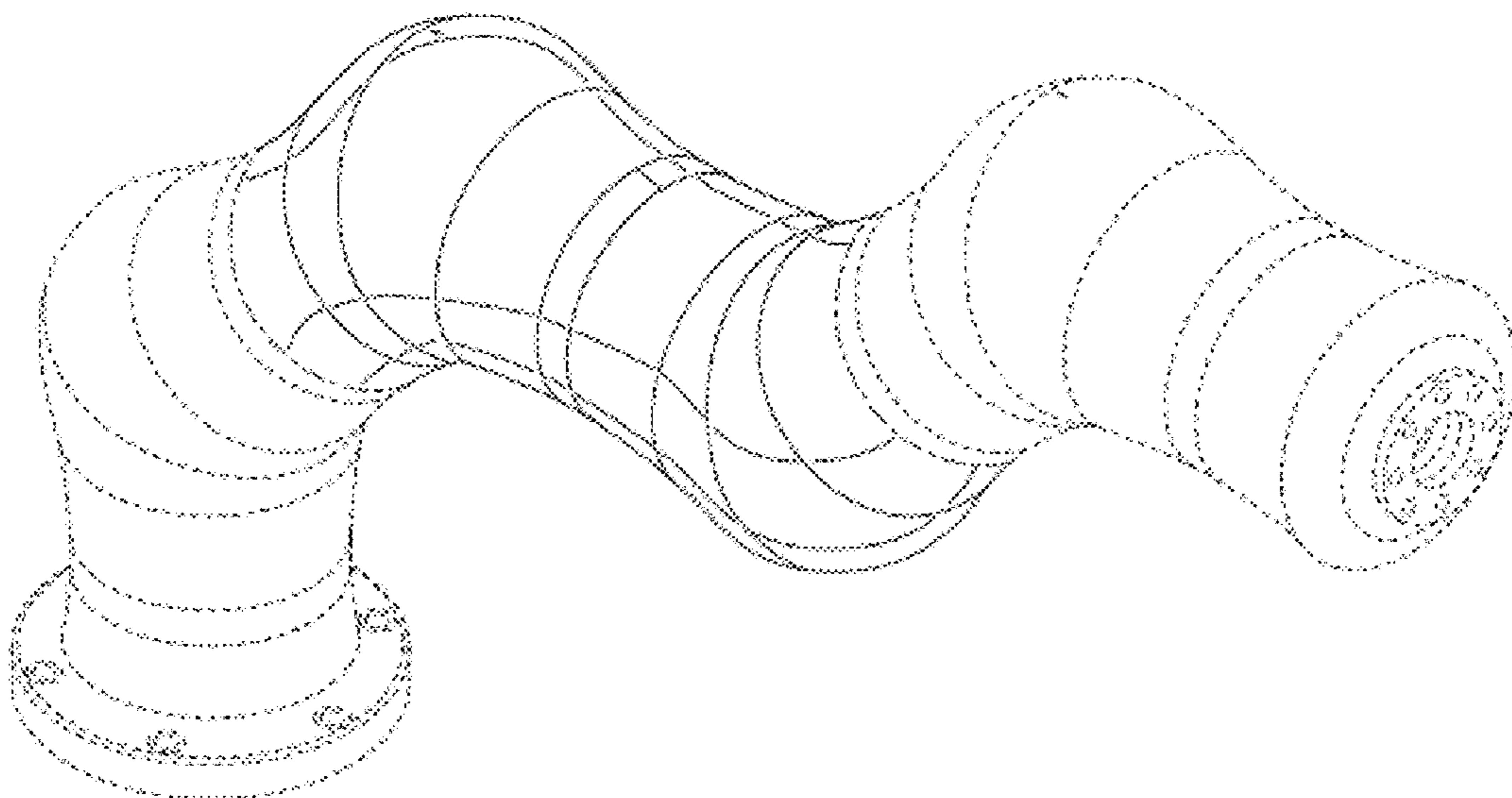
(57) **CLAIM**

The ornamental design for a robotic arm, as shown and described.

DESCRIPTION

FIG. 1 is a top view of a robotic arm embodying the design. FIG. 2 is a bottom view thereof. FIG. 3 is a front elevation view thereof. FIG. 4 is a rear elevation view thereof. FIG. 5 is a left side view thereof. The right side view of the robotic arm is a mirror image of the left side. FIG. 6 is a left perspective view thereof; and, FIG. 7 is a right perspective view thereof. The broken lines in FIGS. 1-7 show portions of a robotic arm that form no part of the claimed design. The “dash-dot” broken lines show the bounds of the claimed design, and form no part thereof.

1 Claim, 7 Drawing Sheets



(56)

References Cited

U.S. PATENT DOCUMENTS

D646,703 S 10/2011 Wong
 D650,820 S 12/2011 Long
 8,126,114 B2 2/2012 Naylor et al.
 D655,324 S 3/2012 Wong
 8,160,743 B2 4/2012 Birkenbach et al.
 D670,319 S 11/2012 Liu
 8,386,077 B2 2/2013 Birkenbach et al.
 D677,294 S 3/2013 Long
 D678,378 S 3/2013 Selic
 8,393,588 B2 3/2013 Blum et al.
 D681,708 S 5/2013 Miyake
 8,761,337 B2 6/2014 Naylor et al.
 D716,357 S 10/2014 Gombert
 D749,223 S 2/2016 Vargas
 D761,339 S 7/2016 White, Jr.
 D769,343 S 10/2016 Bordegnoni
 D776,178 S * 1/2017 Ries D15/199
 D776,735 S * 1/2017 Zhu D15/199
 9,550,299 B2 1/2017 Wolf et al.
 D800,199 S * 10/2017 Yang D15/199
 D800,813 S * 10/2017 Zhu D15/199
 D802,041 S * 11/2017 He D15/199
 9,833,292 B2 12/2017 Kostrzewski et al.
 D822,736 S * 7/2018 Kato D15/199
 D822,737 S * 7/2018 Kato D15/199
 D824,977 S 8/2018 Everman
 D824,979 S * 8/2018 Harris D15/199
 D825,632 S * 8/2018 Clemmer D15/199
 D834,082 S * 11/2018 Bordegnoni D15/199
 10,159,534 B2 12/2018 Maillet et al.
 D837,294 S * 1/2019 Ciniello D19/59
 D837,853 S * 1/2019 Deng D15/199
 D839,941 S * 2/2019 Gao D15/199
 D841,065 S * 2/2019 Hontani D15/199
 D841,707 S * 2/2019 Yamamoto D15/199

D841,710 S * 2/2019 Klassen D15/199
 D841,712 S * 2/2019 Hontani D15/199
 D843,379 S * 3/2019 Lindo D14/452
 D843,380 S * 3/2019 Lindo D14/452
 D844,039 S * 3/2019 Yoon D15/199
 D844,040 S * 3/2019 Yoon D15/199
 D844,041 S * 3/2019 Yoon D15/199
 D844,042 S * 3/2019 Yoon D15/199
 D844,485 S * 4/2019 Siegel D11/164
 D852,862 S * 7/2019 Dosho D15/199
 D852,863 S * 7/2019 Dosho D15/199
 2017/0098959 A1 4/2017 Kikuchi
 2017/0098964 A1 4/2017 Sakata
 2017/0098965 A1 4/2017 Kikuchi
 2017/0098991 A1 4/2017 Takahashi
 2018/0243927 A1 8/2018 Dufau
 2019/0046278 A1 2/2019 Steinle et al.

OTHER PUBLICATIONS

NASA designs ape-like robot for disasters, posted on scssnys.com, posted Jan. 1, 2015, no production date given, [online], [site visited Jul. 17, 2017], Available from Internet, <URL: <https://www.scssnys.com/author/sethshaps/>>.
 NIST Workshop Gets a ‘Grip’ on Robotics Challenge, posted on nist.gov, posted date Jul. 10213, no production date given, [online], [site visited Jul. 17, 2017], Available from Internet, <URL: <https://www.nist.gov/news-events/news/2013/07/nist-workshop-gets-grip-robotics-challenge>>.
 Robotic manipulator arm can catch throw at its subject, posted on yournewsticker.com, posted May 15, 2014, no production date given, [online], [site visited Jul. 17, 2017], Available from Internet, URL: <http://yournewsticker.com/2014/05/robotic-manipulator-arm-can-catch-throw--subject.html>>.

* cited by examiner

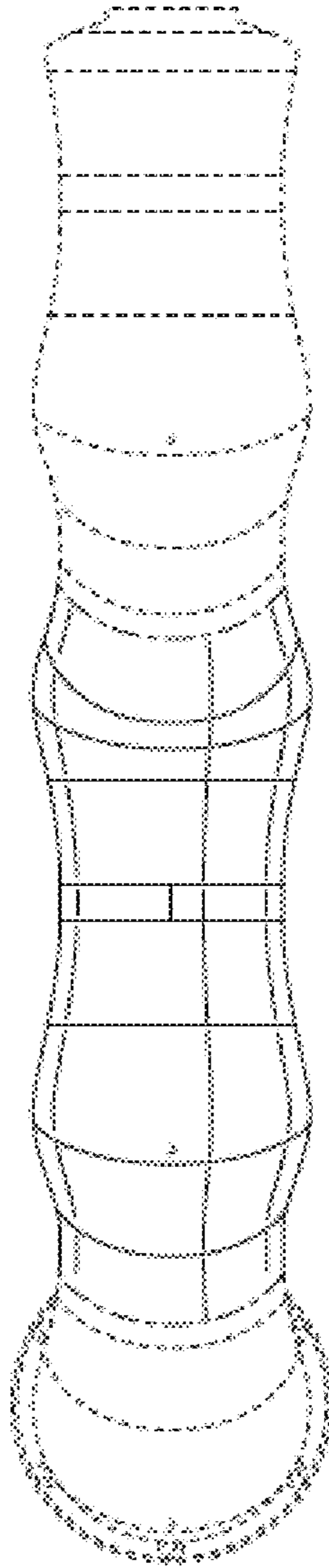


FIG. 1

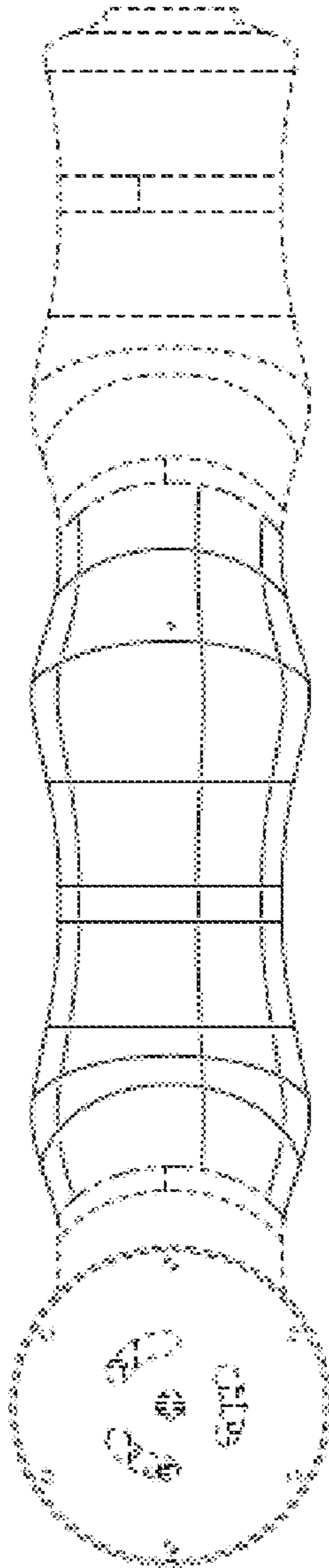


FIG. 2

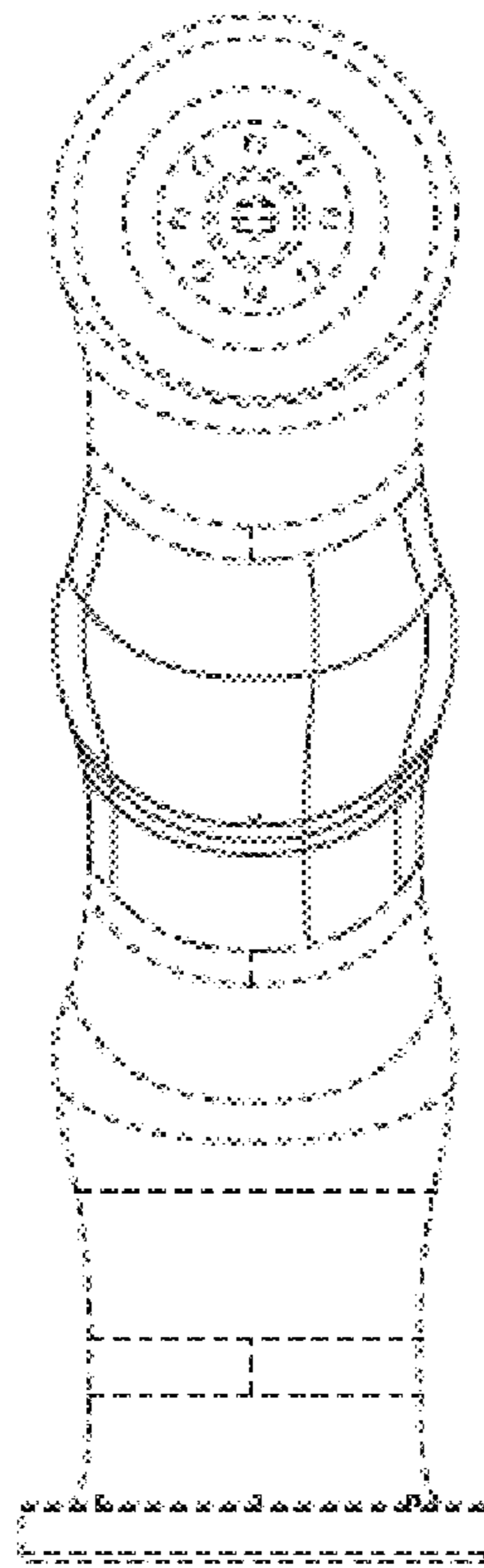


FIG. 3

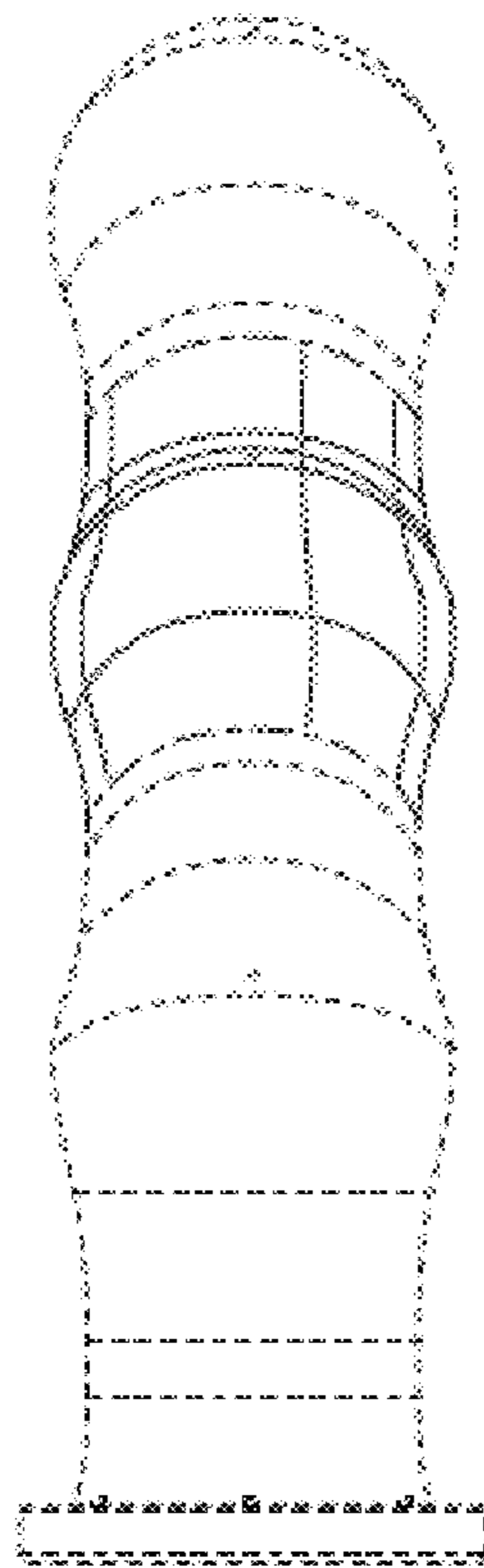


FIG. 4

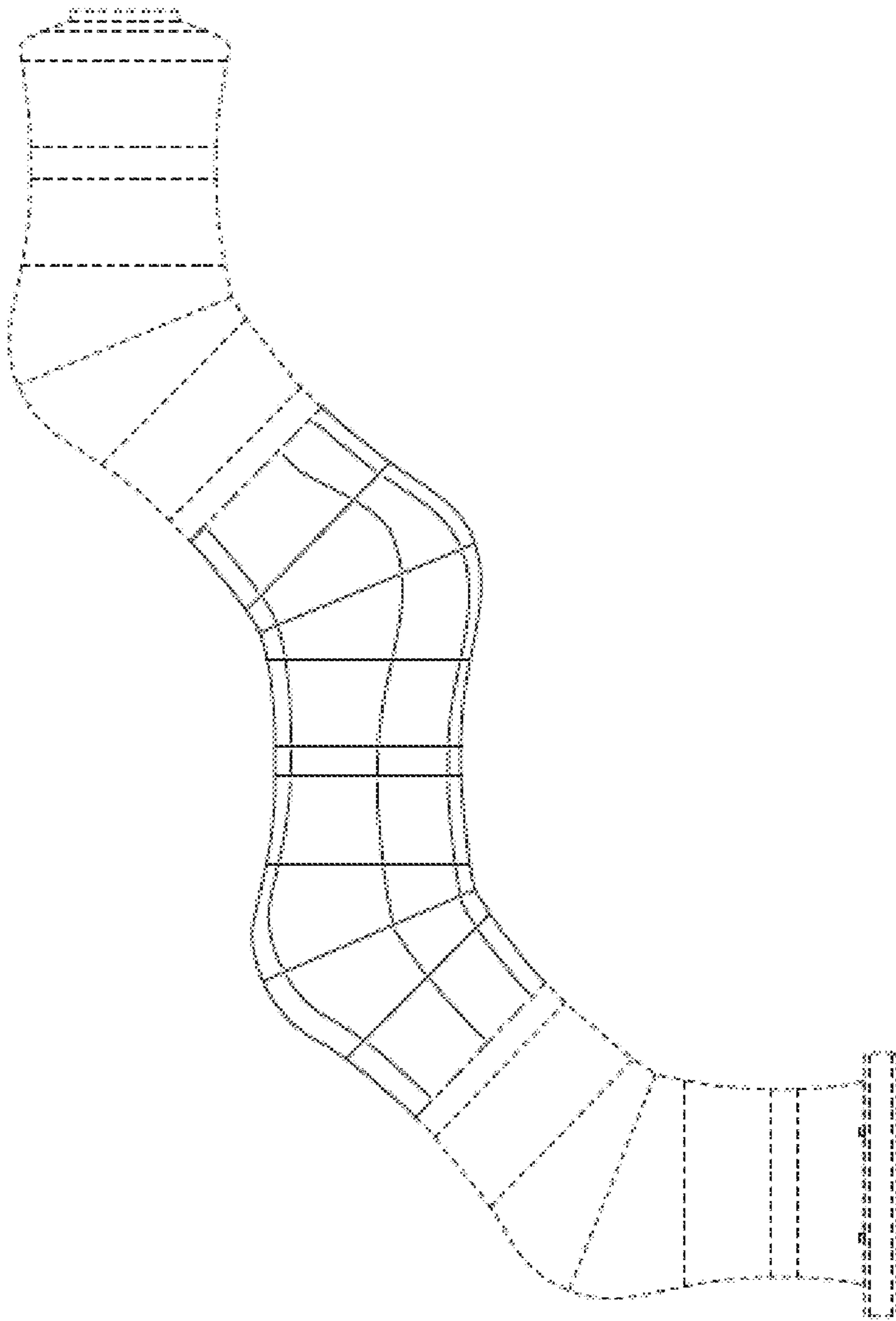


FIG. 5

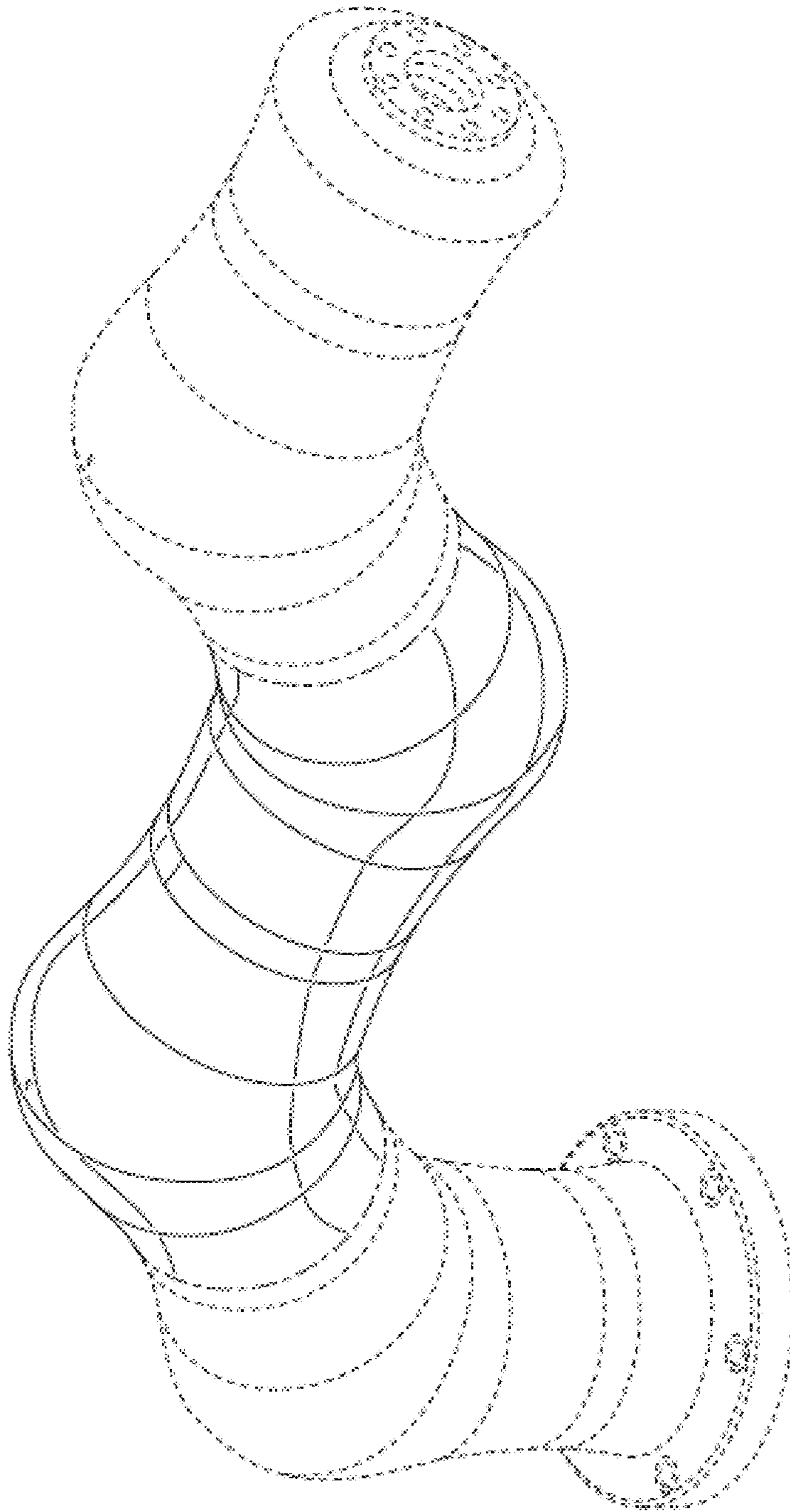


FIG. 6

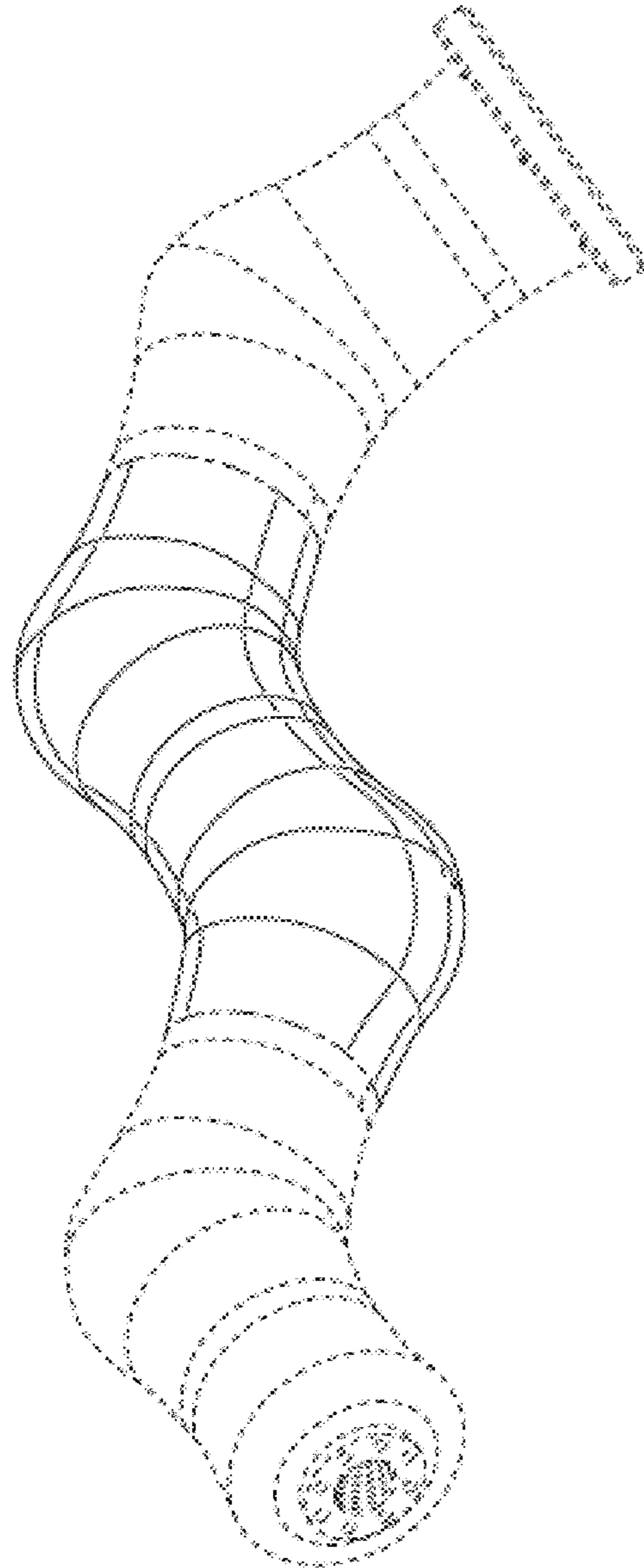


FIG. 7