



US00D893565S

(12) **United States Design Patent**
Jeffery et al.

(10) **Patent No.:** **US D893,565 S**

(45) **Date of Patent:** **** Aug. 18, 2020**

(54) **THREE-DIMENSIONAL PRINTER**

(71) Applicant: **Formlabs, Inc.**, Somerville, MA (US)

(72) Inventors: **Nate Jeffery**, Boston, MA (US); **Yoav Reches**, Cambridge, MA (US); **John Ouchterlony**, Cambridge, MA (US); **Ryan Smith**, Somerville, MA (US)

(73) Assignee: **Formlabs, Inc.**, Somerville, MA (US)

(**) Term: **15 Years**

(21) Appl. No.: **29/683,853**

(22) Filed: **Mar. 15, 2019**

(51) **LOC (12) Cl.** **15-09**

(52) **U.S. Cl.**
USPC **D15/122**

(58) **Field of Classification Search**
USPC D15/122, 135, 138, 141; D18/14, 19, 50, D18/54, 54.1, 55, 59
CPC B22F 3/105; B22F 3/008; B29C 35/00; B29C 35/02; B29C 35/04; B29C 35/06; B29C 35/08; B29C 35/10; B29C 35/12; B29C 35/14; B29C 35/16; B29C 35/18; B29C 37/00; B29C 37/02; B29C 37/04; B29C 67/00; B29C 67/02; B29C 67/04;
(Continued)

(56) **References Cited**

U.S. PATENT DOCUMENTS

D626,821 S * 11/2010 Hikoyama D8/380
D634,358 S * 3/2011 Yoshioka D18/50
(Continued)

FOREIGN PATENT DOCUMENTS

CN 304981077 * 1/2019
CN 305544774 * 1/2020
(Continued)

OTHER PUBLICATIONS

YouTube. Link: https://www.youtube.com/watch?v=AzWTqUI_fAA. Nov. 12, 2019. Formlabs Introducing The Form 3B: Optimized for Dental. (Year: 2019).*

(Continued)

Primary Examiner — Lauren D McVey

(74) *Attorney, Agent, or Firm* — Wolf, Greenfield & Sacks, P.C.

(57) **CLAIM**

The ornamental design for a three-dimensional printer, as shown and described.

DESCRIPTION

FIG. 1 is a front, right side perspective view of a first embodiment of a three-dimensional printer according to our new design;

FIG. 2 is a front elevation view thereof;

FIG. 3 is a rear elevation view thereof;

FIG. 4 is a left side elevation view thereof;

FIG. 5 is a right side elevation view thereof;

FIG. 6 is a top plan view thereof;

FIG. 7 is a bottom plan view thereof;

FIG. 8 is a top, front, right side perspective view of a second embodiment of the three-dimensional printer;

FIG. 9 is a front elevation view thereof;

FIG. 10 is a rear elevation view thereof;

FIG. 11 is a left side elevation view thereof;

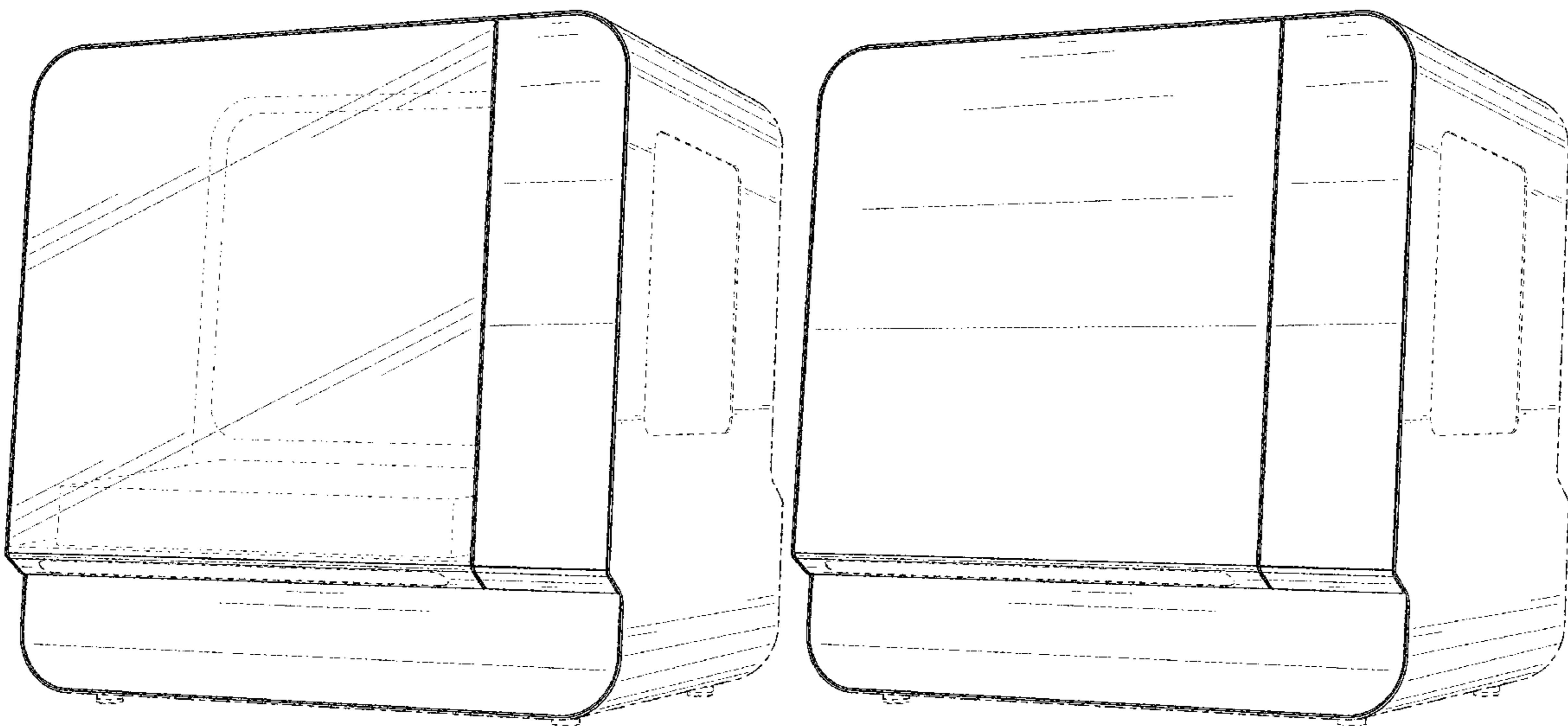
FIG. 12 is a right side elevation view thereof;

FIG. 13 is a top plan view thereof; and,

FIG. 14 is a bottom plan view thereof.

The dot-dash broken lines and dash-dash broken lines immediately adjacent to the shaded areas depict the bounds of the claimed design and form no part of the claimed design. All other dash-dash broken lines depict portions of the three-dimensional printer that form no part of the claimed design. The oblique line shading represents transparency.

1 Claim, 14 Drawing Sheets



(58) **Field of Classification Search**

CPC B29C 67/06; B29C 67/08; B29C 67/20;
B29C 67/24; B29C 69/00; B29C 69/02;
B29C 70/00; B29C 70/02; B29C 70/04;
B29C 70/06; B29C 70/08; B29C 70/10;
B29C 70/12; B29C 70/14; B29C 70/16;
B29C 70/18; B29C 70/20; B29C 70/22;
B29C 70/24; B29C 70/26; B29C 70/28;
B29C 41/12; B29C 41/36; B29C 67/0081;
B41J 2/155; B41J 2/17513; B41J
2/17556; B41J 2/17596; B41J 2/16552;
B41J 2/16541; B41J 2002/20; B41J
2002/14475; B29K 2995/0021

See application file for complete search history.

(56)

References Cited

U.S. PATENT DOCUMENTS

D736,838 S * 8/2015 Costabeber D15/122
D744,553 S * 12/2015 Shibata D15/123
D757,132 S * 5/2016 Liu D15/122

D759,158 S * 6/2016 Lee D18/50
D771,164 S * 11/2016 Noorazar D15/122
D777,808 S * 1/2017 Chang D15/122
D783,693 S * 4/2017 Reches D15/122
D809,574 S * 2/2018 Lin D15/122
D835,162 S * 12/2018 Reches D15/122
D858,590 S * 9/2019 Kazaoka D15/122
D871,463 S * 12/2019 Cao D15/122

FOREIGN PATENT DOCUMENTS

WO WO-2017025015 A1 * 2/2017 B29C 67/02
WO WO-2017050118 A1 * 3/2017 B29C 67/00
WO WO-2017162118 A1 * 9/2017 B29C 67/00
WO WO-2017165832 A1 * 9/2017 B29C 67/00

OTHER PUBLICATIONS

YouTube. Link: <https://www.youtube.com/watch?v=dLIRAkXa6t8>.
Apr. 2, 2019. Formlabs Inside the Form 3 and Form 3L: Deep Dive.
(Year: 2019).*

* cited by examiner

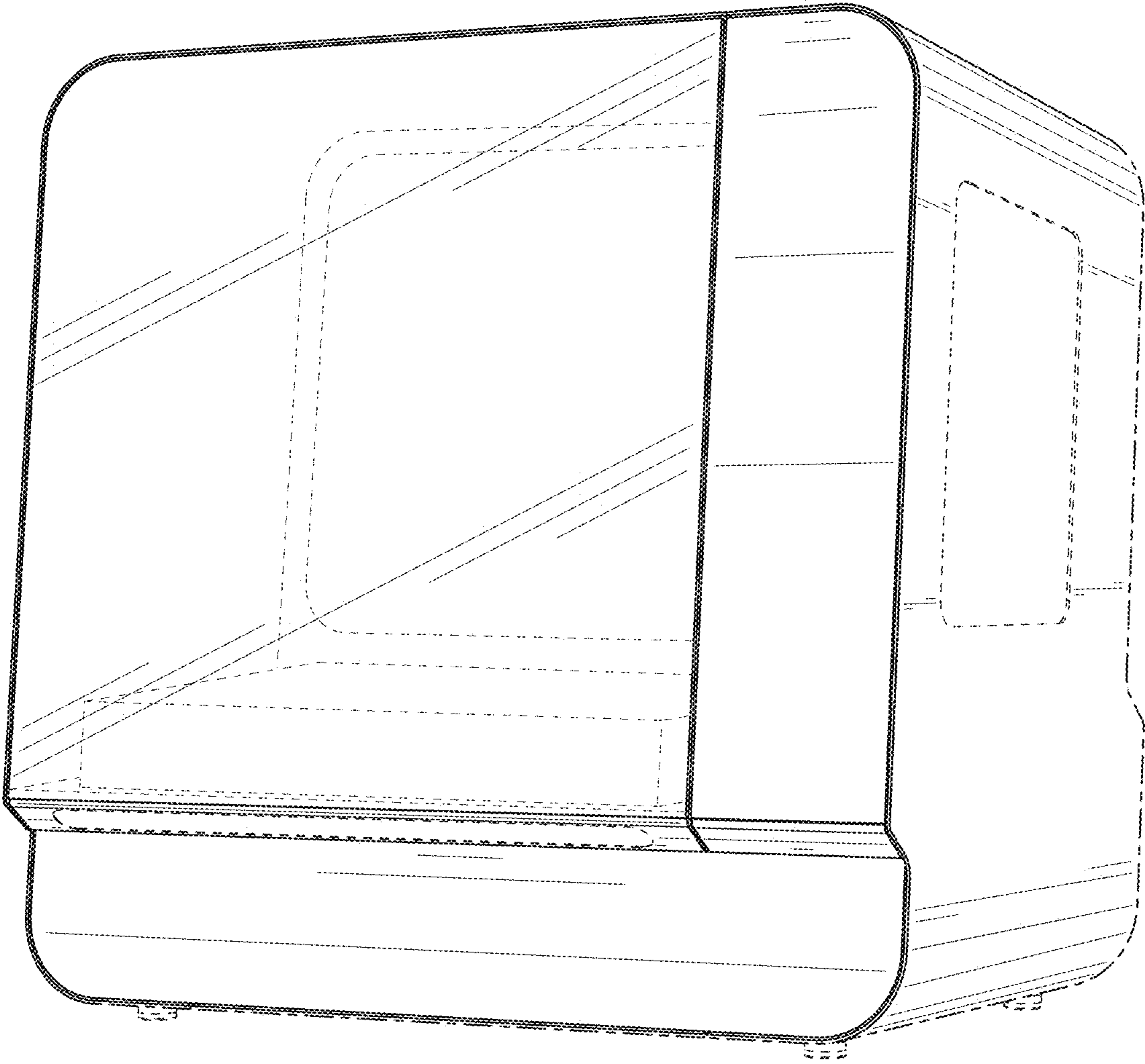


FIG. 1

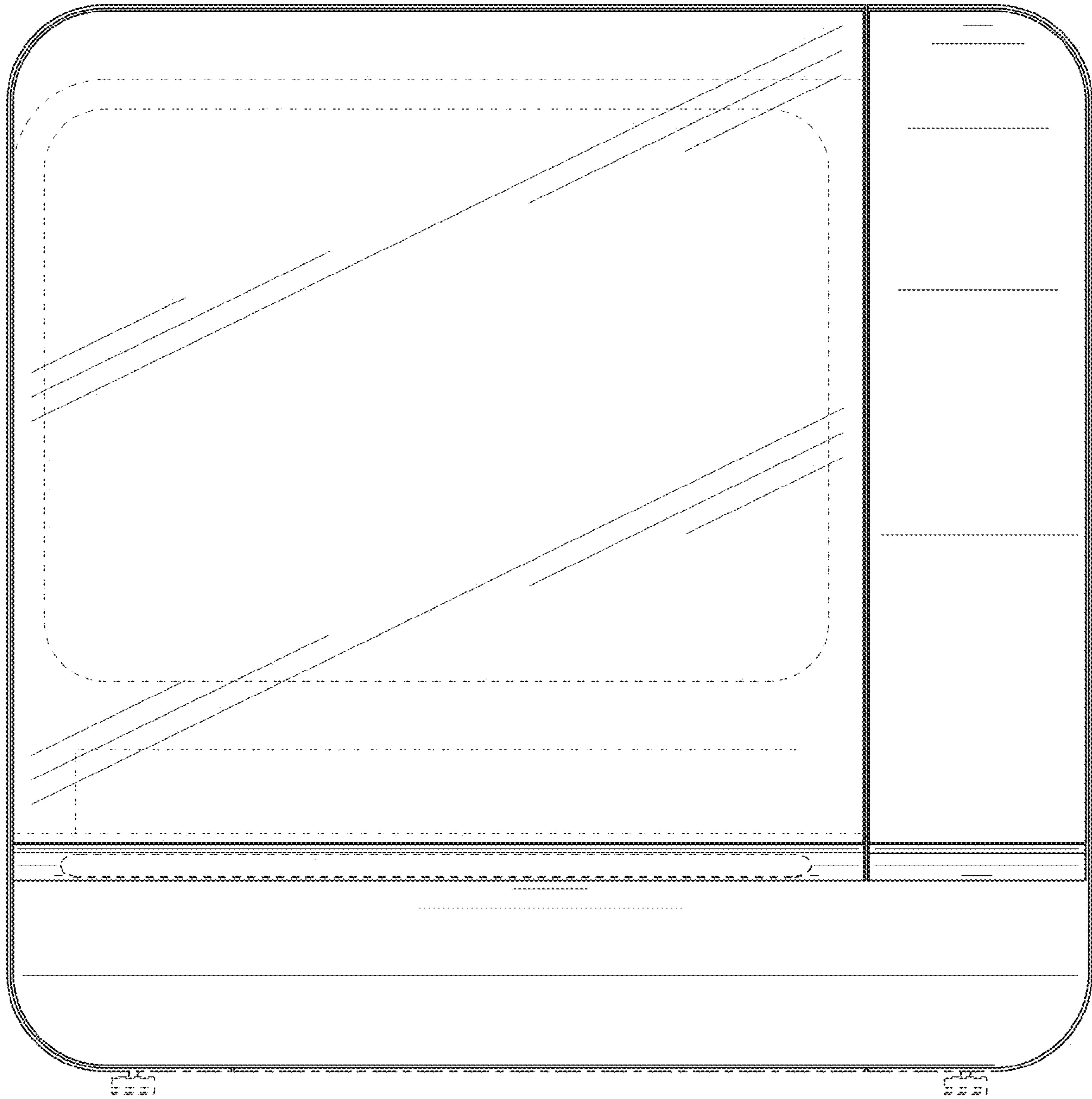


FIG. 2

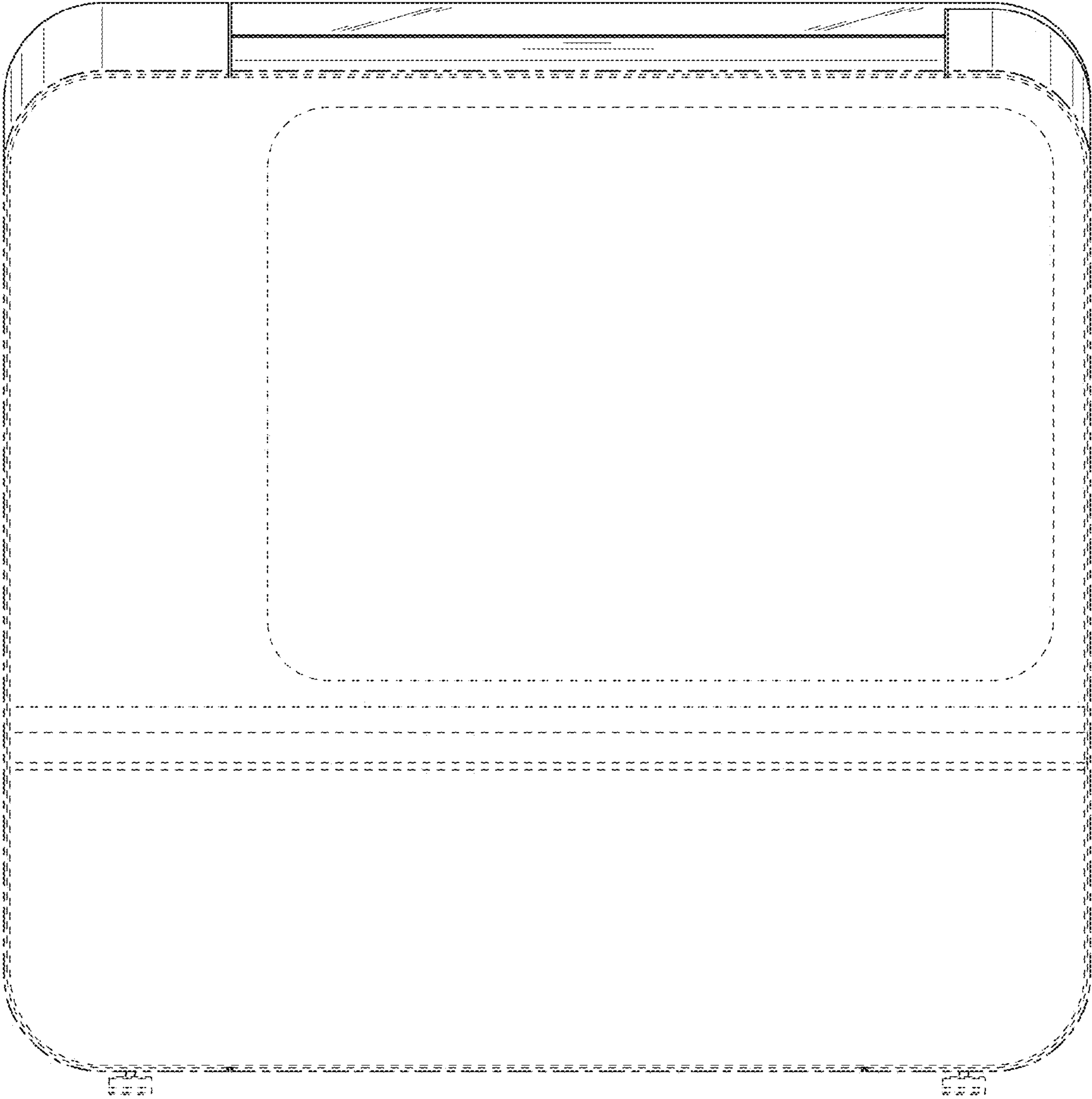


FIG. 3

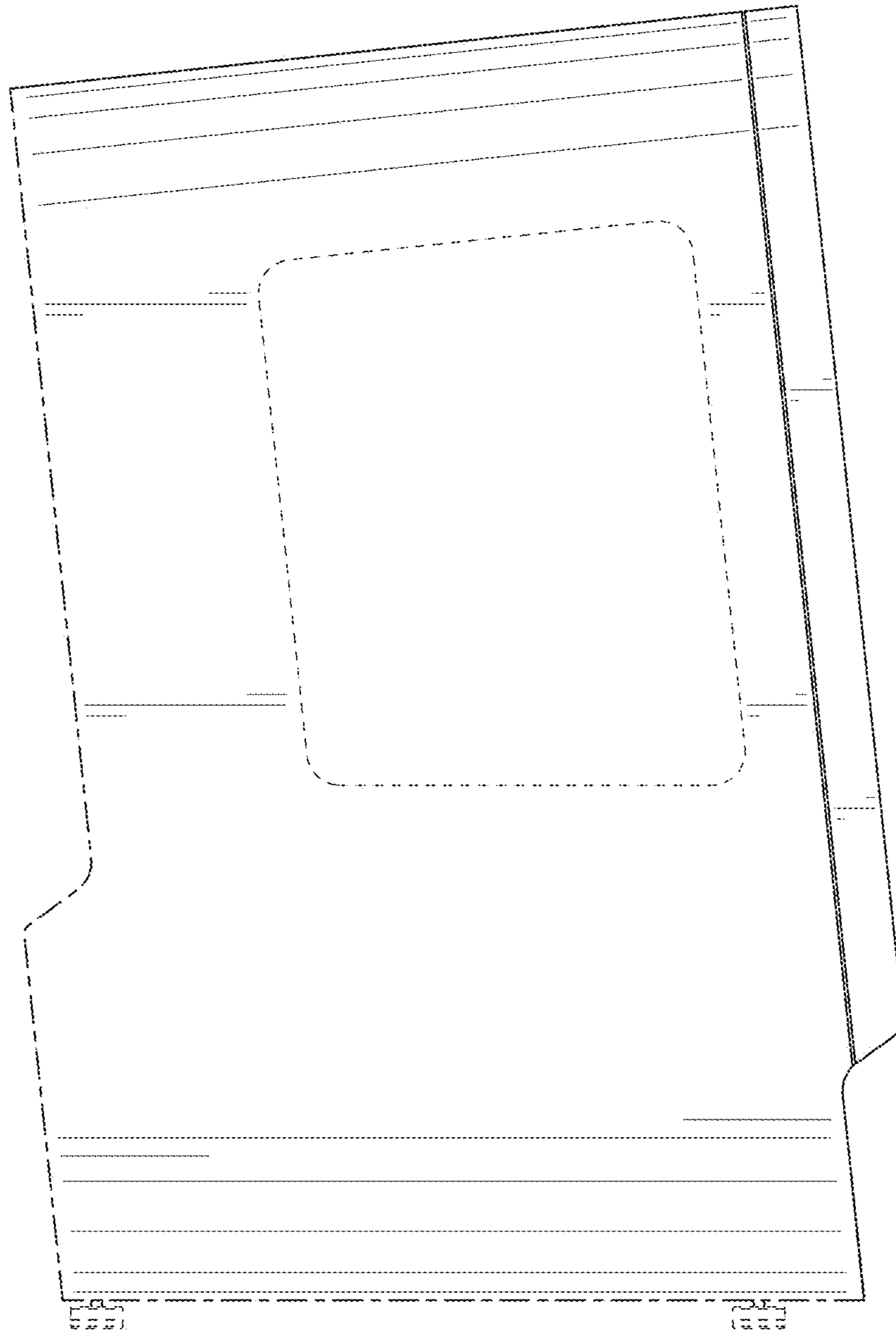


FIG. 4

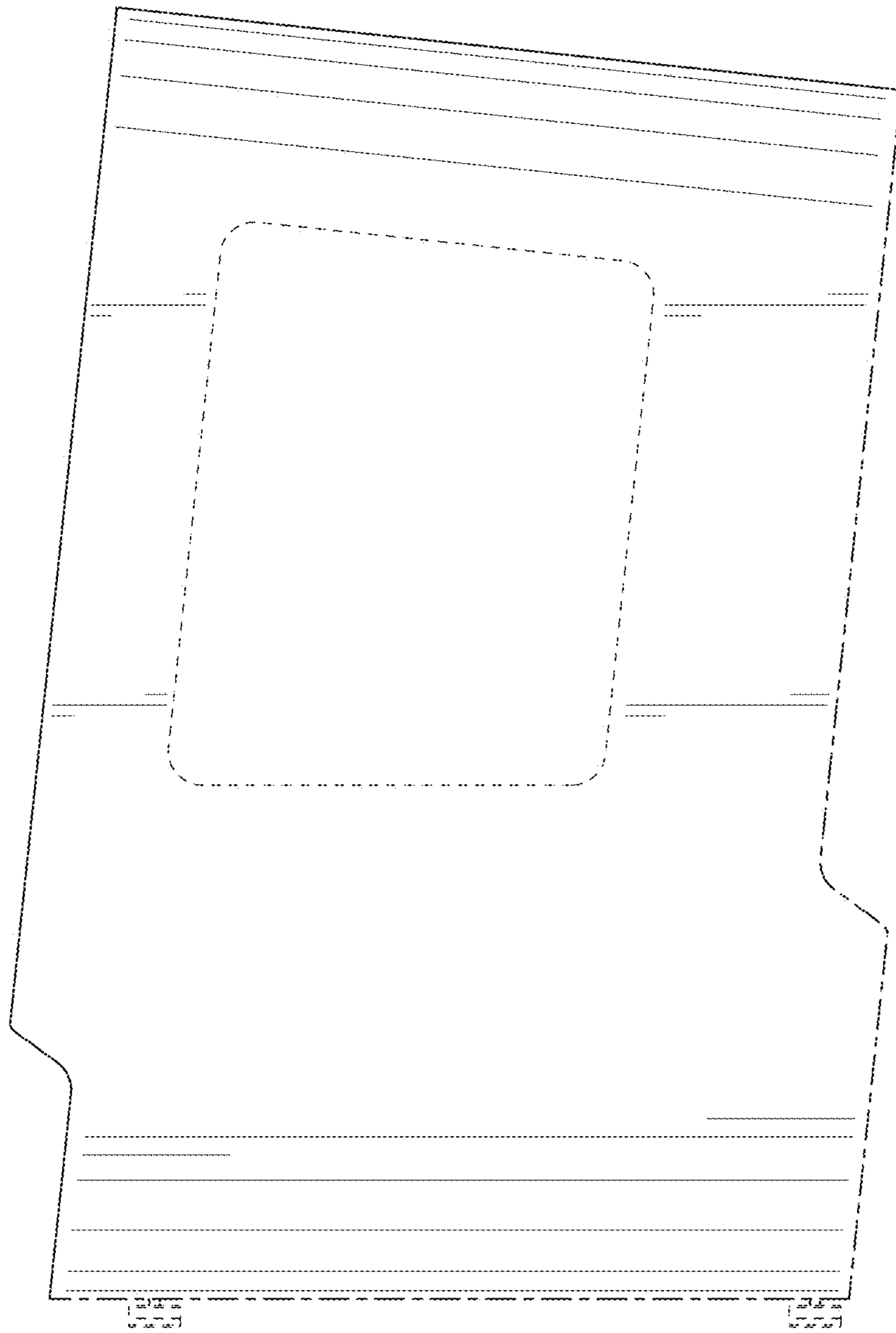


FIG. 5

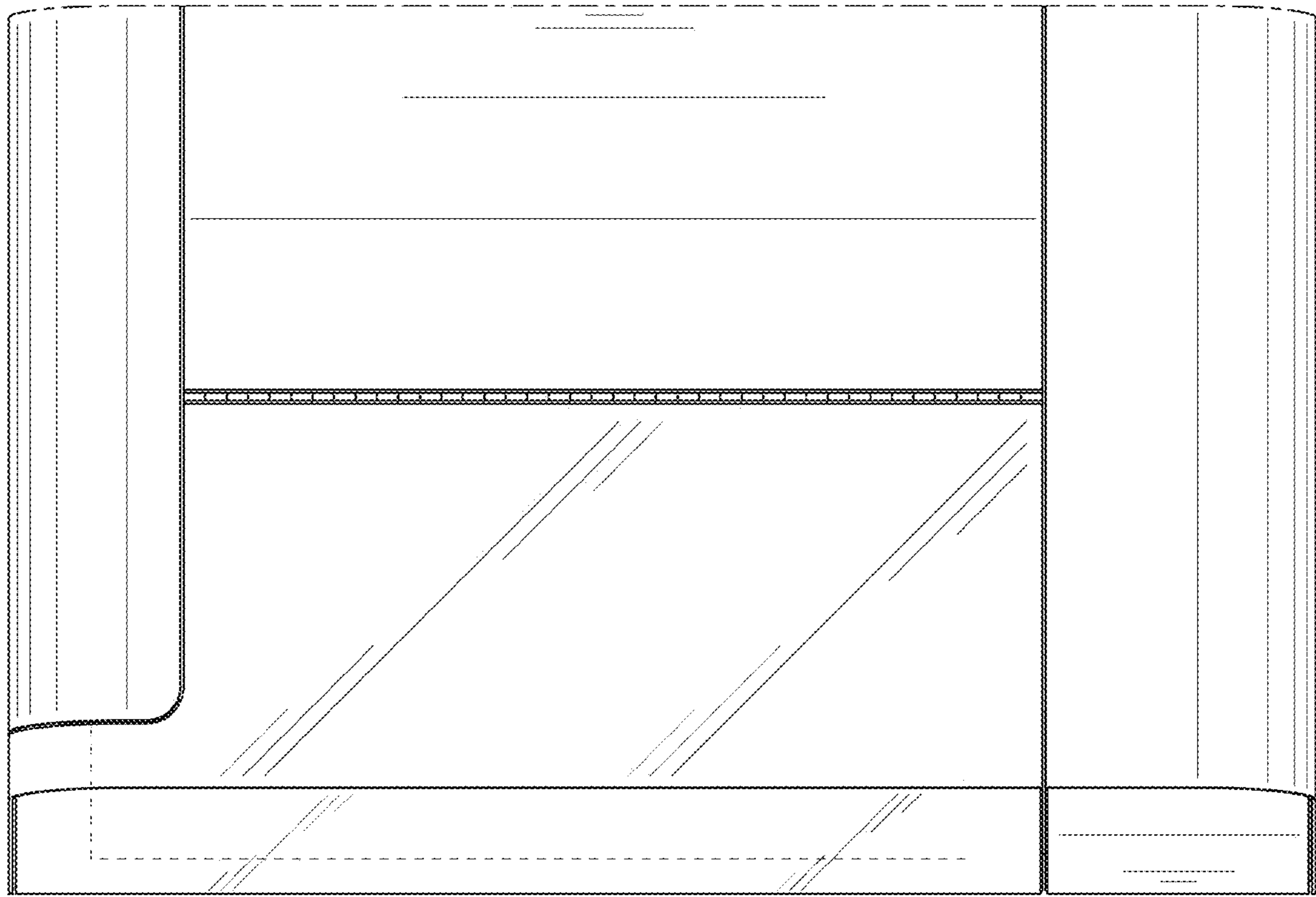


FIG. 6

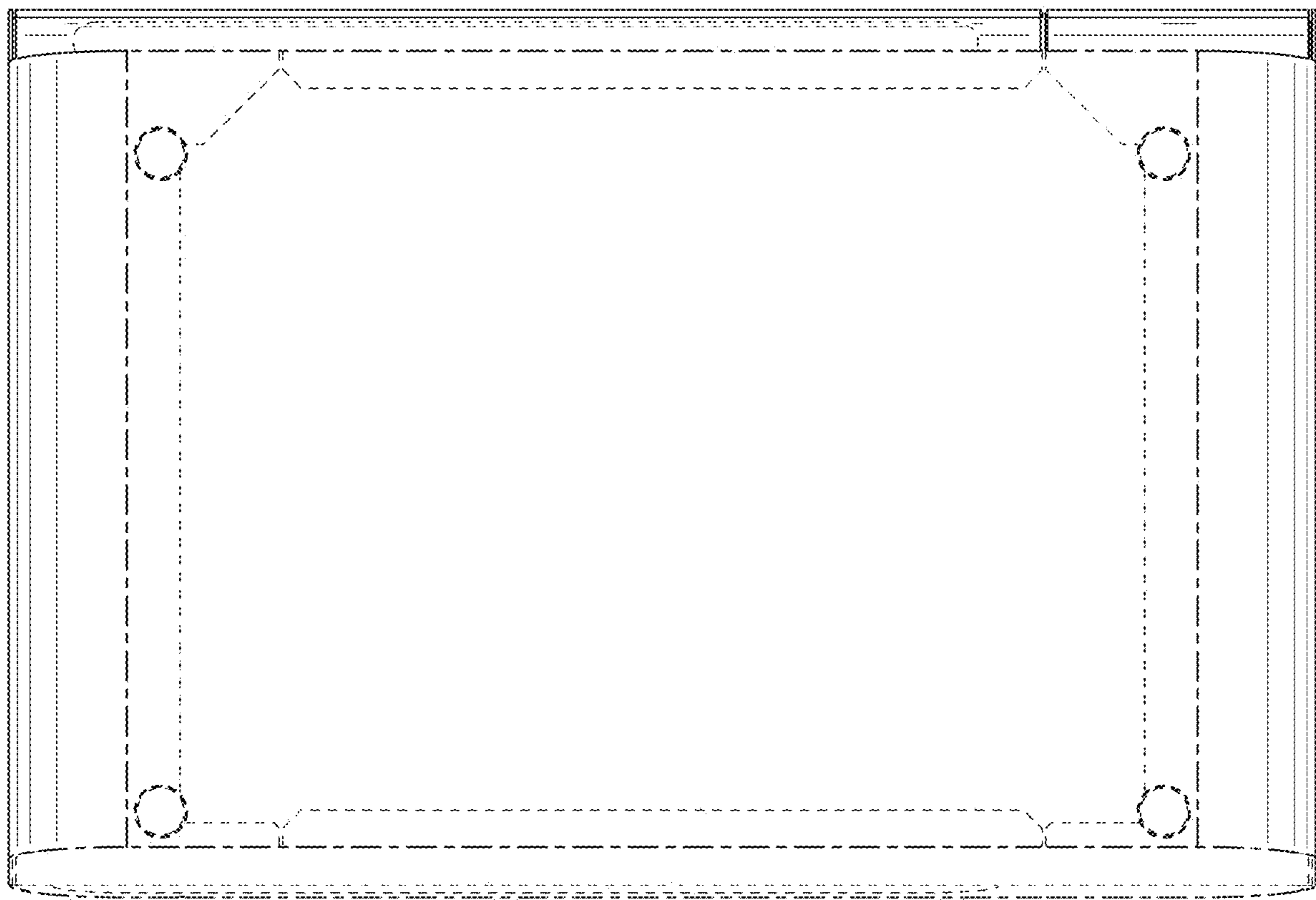


FIG. 7

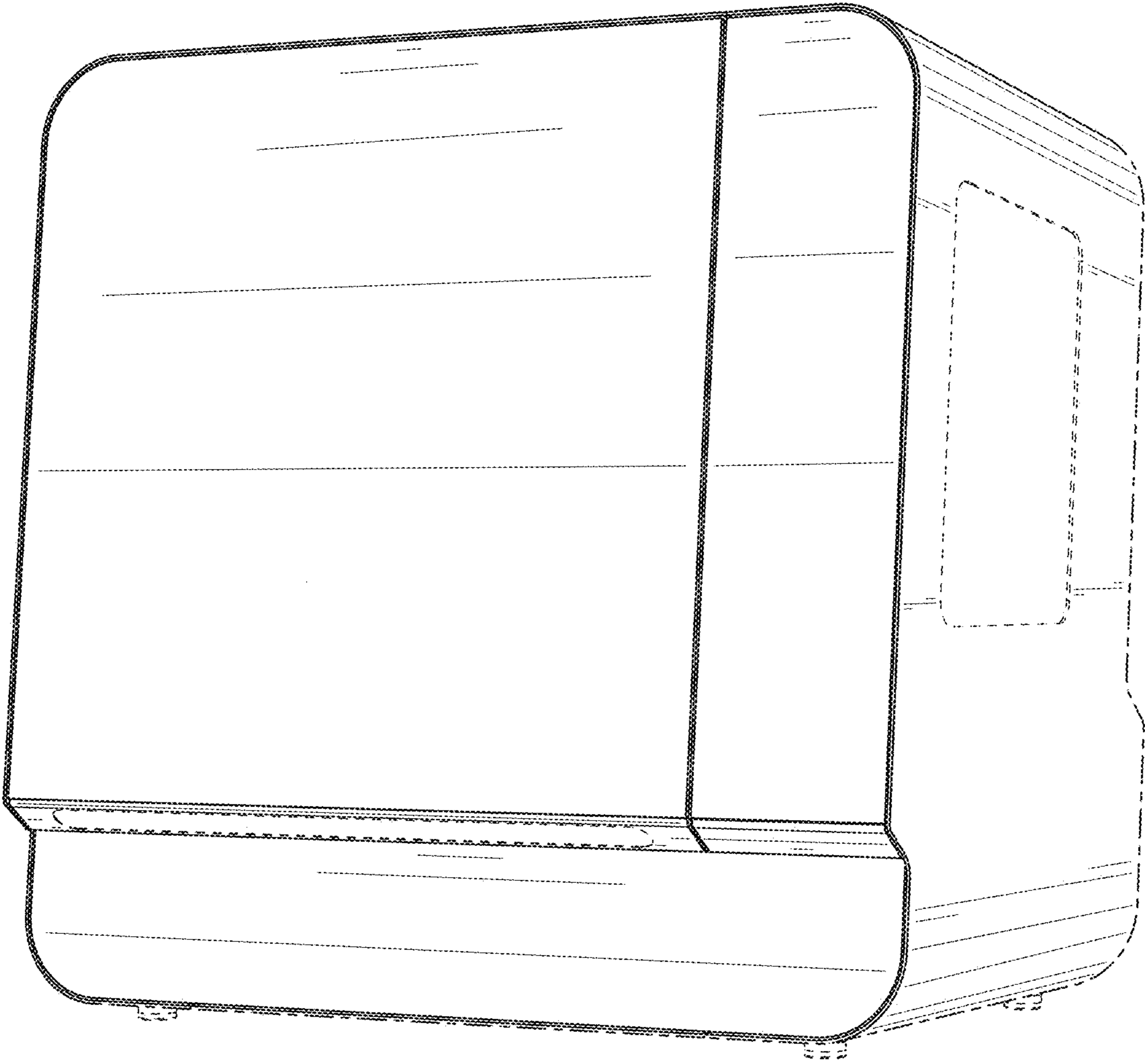


FIG. 8

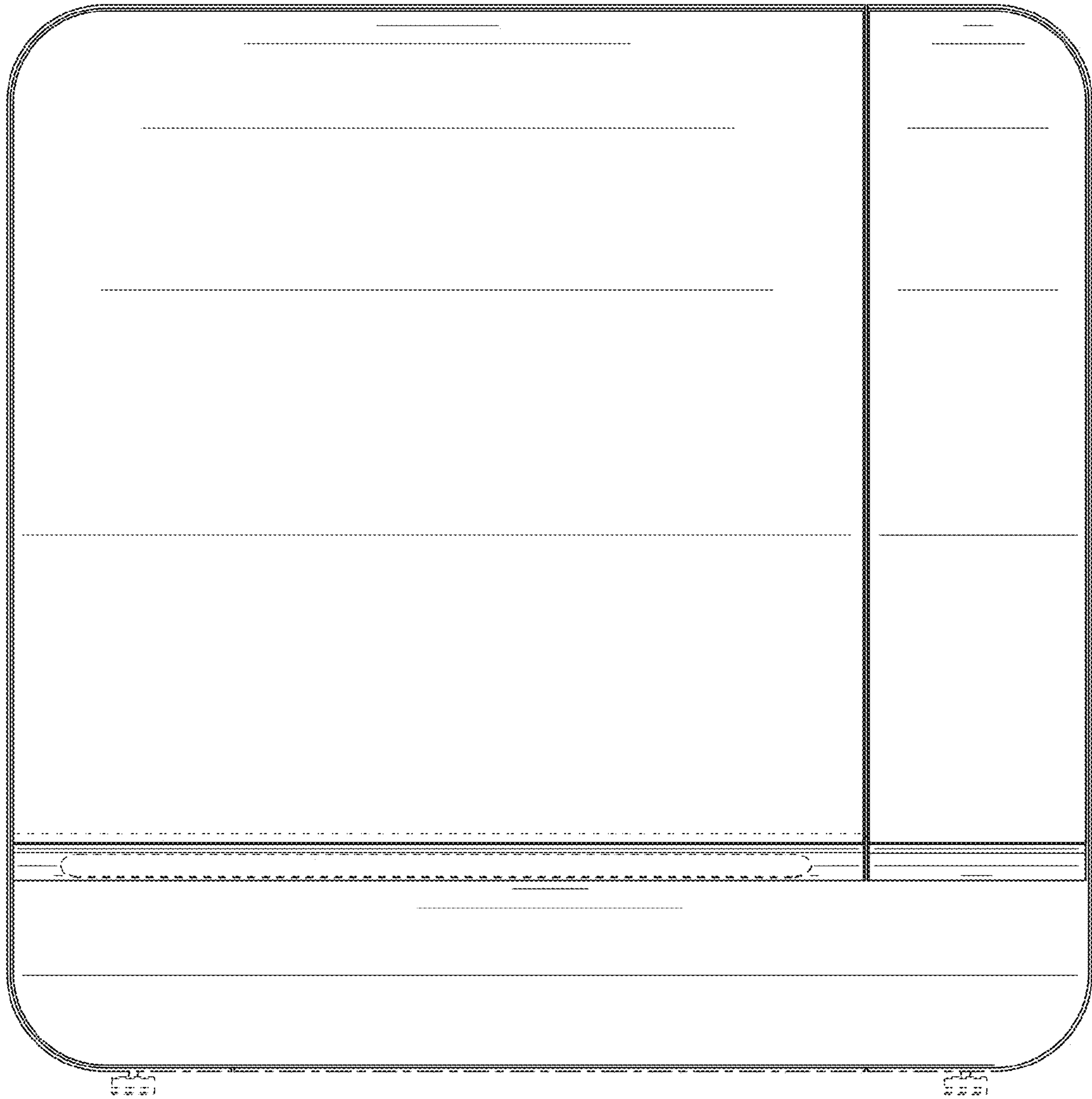


FIG. 9

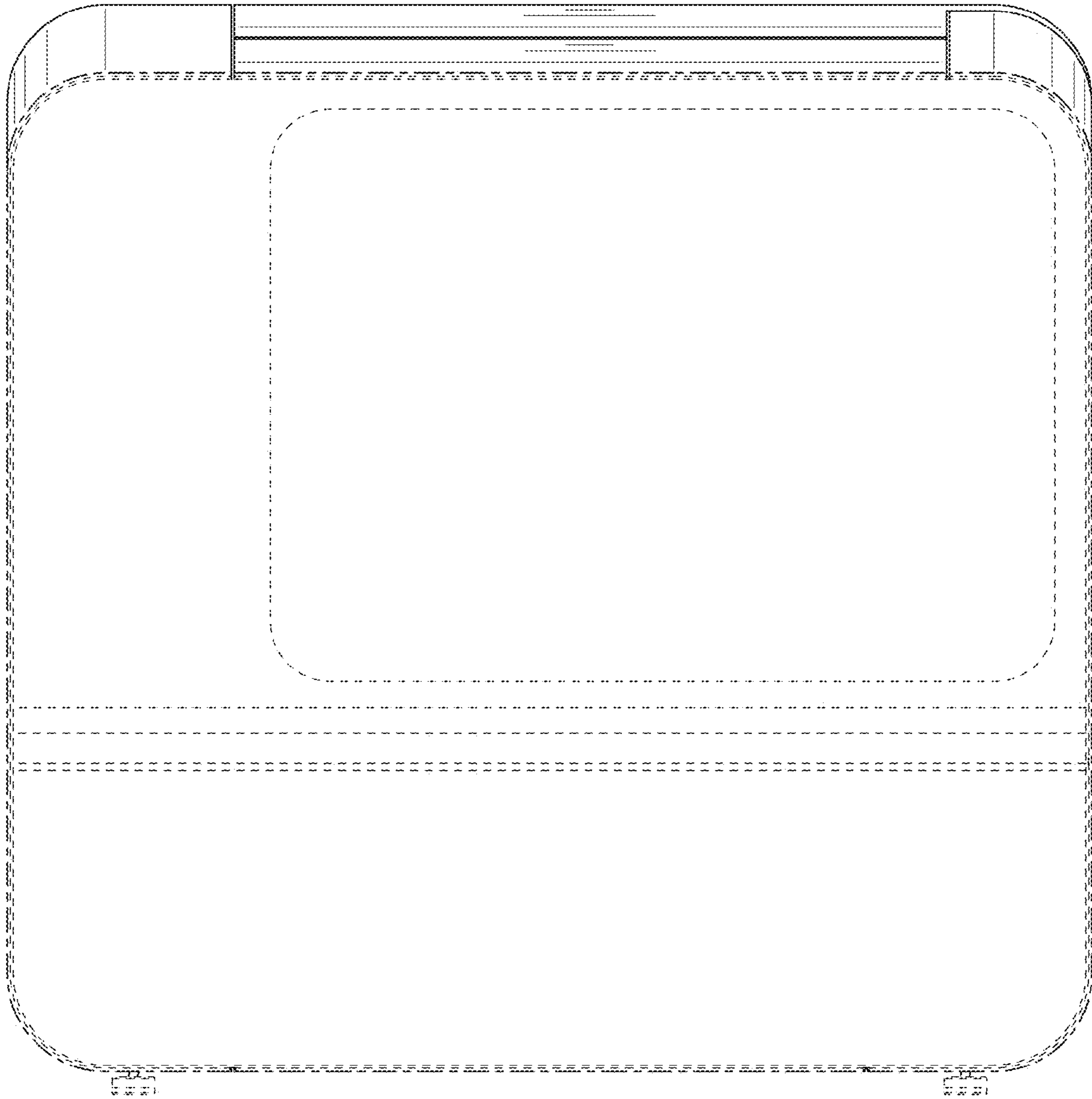


FIG. 10

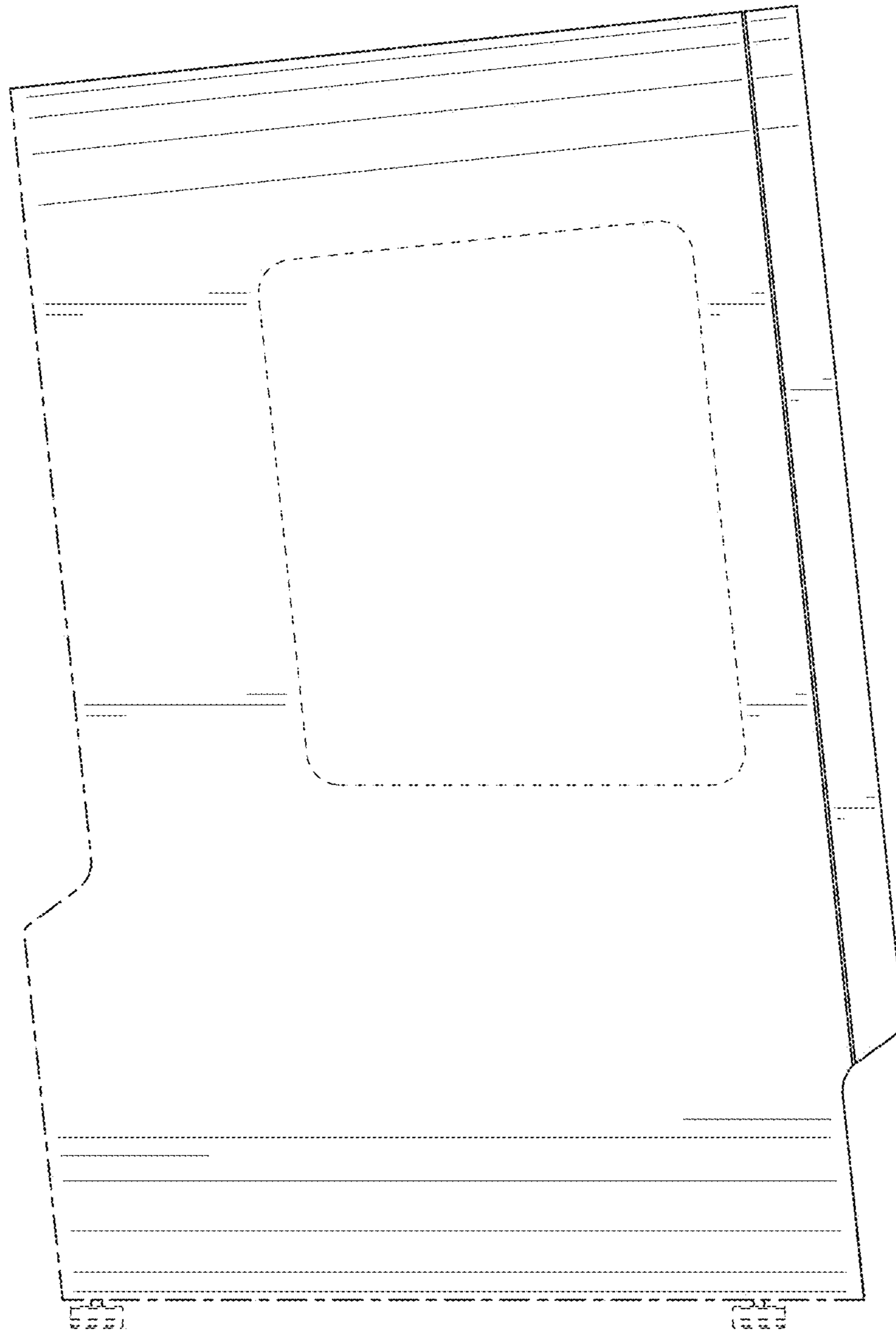


FIG. 11

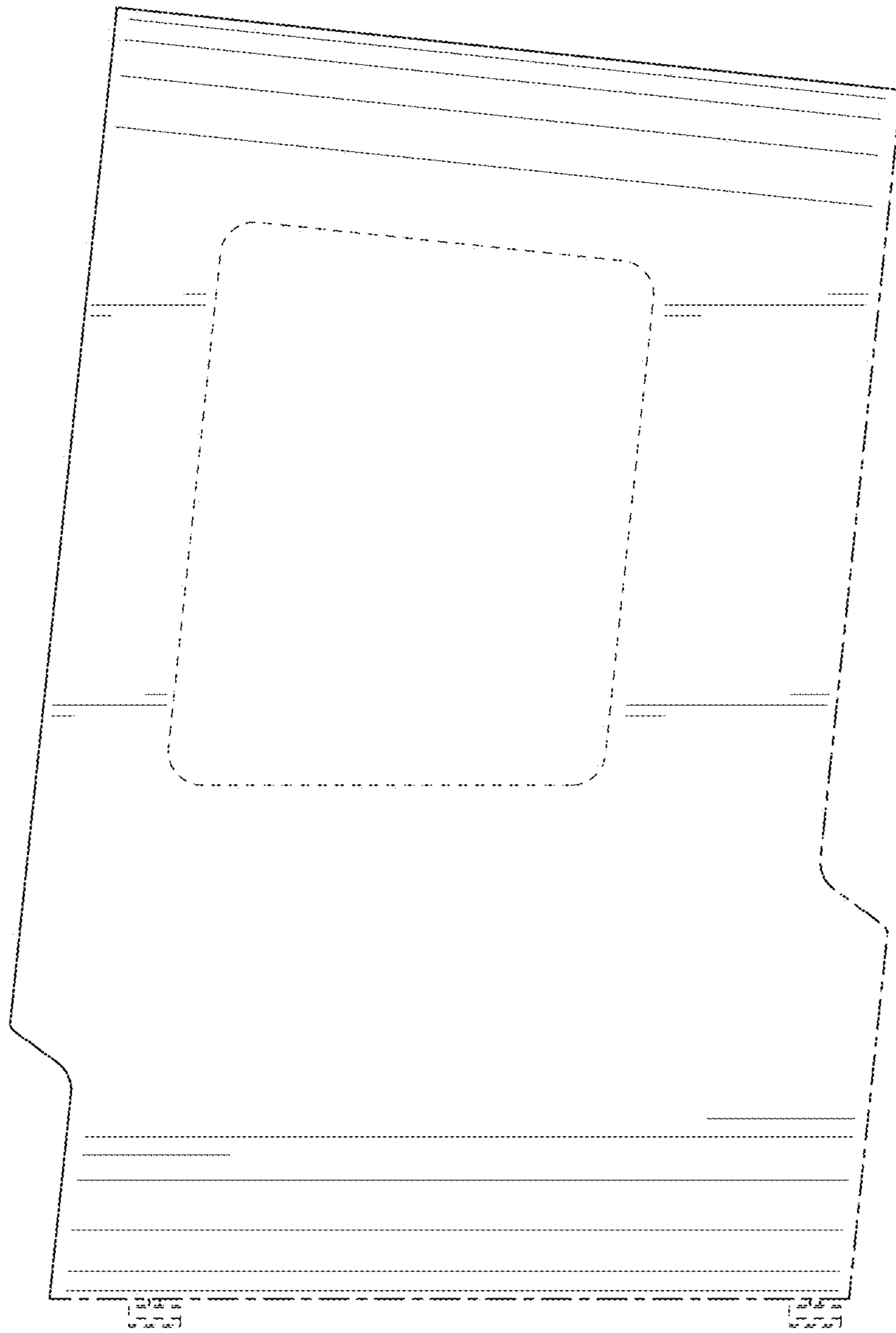


FIG. 12

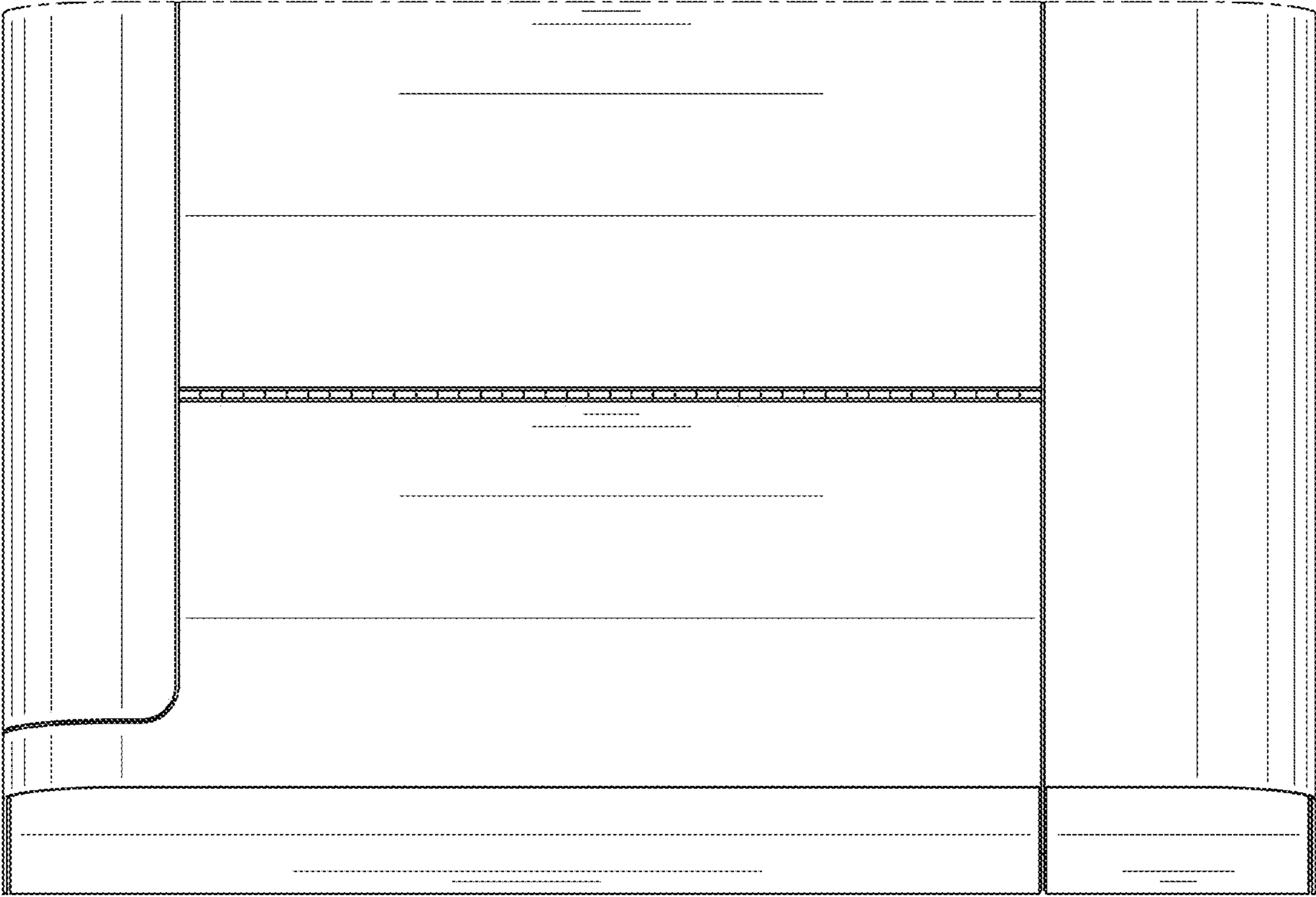


FIG. 13

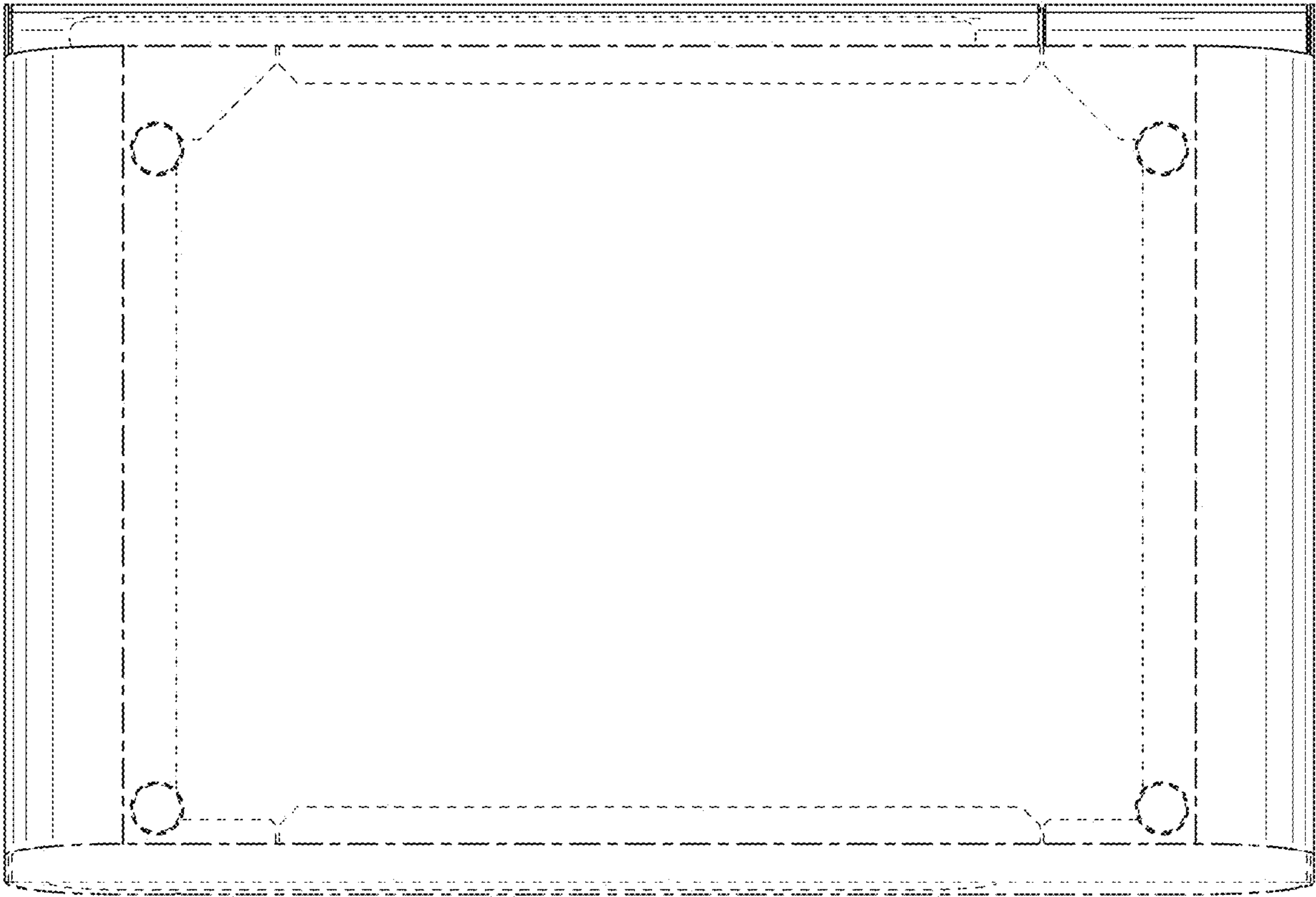


FIG. 14