



US00D893564S

(12) **United States Design Patent**
Jeffery et al.

(10) **Patent No.:** **US D893,564 S**

(45) **Date of Patent:** **** Aug. 18, 2020**

(54) **THREE-DIMENSIONAL PRINTER**

(71) Applicant: **Formlabs, Inc.**, Somerville, MA (US)

(72) Inventors: **Nate Jeffery**, Boston, MA (US); **Yoav Reches**, Cambridge, MA (US); **Jason Livingston**, Somerville, MA (US); **Robert Wang**, Somerville, MA (US)

(73) Assignee: **Formlabs, Inc.**, Somerville, MA (US)

(**) Term: **15 Years**

(21) Appl. No.: **29/683,849**

(22) Filed: **Mar. 15, 2019**

(51) **LOC (12) Cl.** **15-09**

(52) **U.S. Cl.**
USPC **D15/122**

(58) **Field of Classification Search**
USPC D15/122, 135, 138, 141; D18/14, 19, 50,
D18/54, 54.1, 55, 59

(Continued)

(56) **References Cited**

U.S. PATENT DOCUMENTS

D297,141 S * 8/1988 Goodlander D18/59
5,644,135 A * 7/1997 Matheson B29C 35/08
250/454.11

(Continued)

FOREIGN PATENT DOCUMENTS

CN 304981077 * 1/2019
WO WO-2017025015 A1 * 2/2017 B29C 67/02

(Continued)

OTHER PUBLICATIONS

YouTube. Link: <https://www.youtube.com/watch?v=dLIRAkXa6t8>.
Apr. 2, 2019. Formlabs Inside the Form 3 and Form 3L: Deep Dive.
(Year: 2019).*

(Continued)

Primary Examiner — Lauren D McVey

(74) *Attorney, Agent, or Firm* — Wolf, Greenfield & Sacks, P.C.

(57) **CLAIM**

The ornamental design for a three-dimensional printer, as shown and described.

DESCRIPTION

FIG. 1 is a top, front, right side perspective view of a first embodiment of a three-dimensional printer according to our new design;

FIG. 2 is a front elevation view thereof;

FIG. 3 is a rear elevation view thereof;

FIG. 4 is a left side elevation view thereof;

FIG. 5 is a right side elevation view thereof;

FIG. 6 is a top plan view thereof;

FIG. 7 is a bottom plan view thereof;

FIG. 8 is a top, front, right side perspective view of a second embodiment of the three-dimensional printer;

FIG. 9 is a front elevation view thereof;

FIG. 10 is a rear elevation view thereof;

FIG. 11 is a left side elevation view thereof;

FIG. 12 is a right side elevation view thereof;

FIG. 13 is a top plan view thereof;

FIG. 14 is a bottom plan view thereof;

FIG. 15 is a top, front, right side perspective view of a third embodiment of the three-dimensional printer;

FIG. 16 is a front elevation view thereof;

FIG. 17 is a rear elevation view thereof;

FIG. 18 is a left side elevation view thereof;

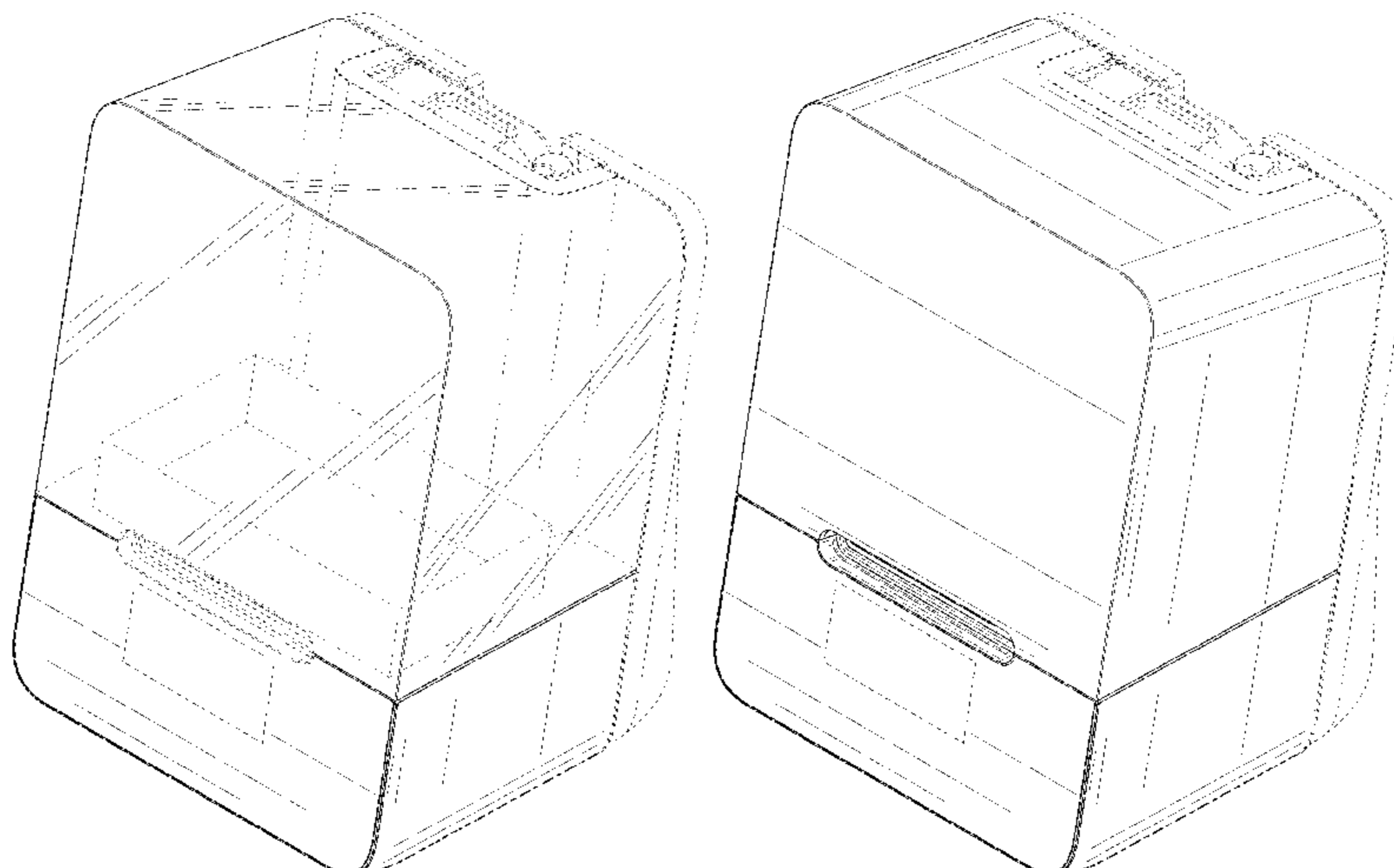
FIG. 19 is a right side elevation view thereof;

FIG. 20 is a top plan view thereof; and,

FIG. 21 is a bottom plan view thereof.

The dot-dash broken lines and dash-dash broken lines immediately adjacent to the shaded areas depict the bounds of the claimed design and form no part of the claimed design. All other dash-dash broken lines depict portions of the three-dimensional printer that form no part of the claimed design.

(Continued)



In addition, the unshaded bottom surface that directly adjoins the claimed bottom front edge forms no part of the claimed design.

The oblique line shading represents transparency.

1 Claim, 21 Drawing Sheets

(58) Field of Classification Search

CPC B22F 3/105; B22F 3/008; B29C 35/00;
 B29C 35/02; B29C 35/04; B29C 35/06;
 B29C 35/08; B29C 35/10; B29C 35/12;
 B29C 35/14; B29C 35/16; B29C 35/18;
 B29C 37/00; B29C 37/02; B29C 37/04;
 B29C 67/00; B29C 67/02; B29C 67/04;
 B29C 67/06; B29C 67/08; B29C 67/20;
 B29C 67/24; B29C 69/00; B29C 69/02;
 B29C 70/00; B29C 70/02; B29C 70/04;
 B29C 70/06; B29C 70/08; B29C 70/10;
 B29C 70/12; B29C 70/14; B29C 70/16;
 B29C 70/18; B29C 70/20; B29C 70/22;
 B29C 70/24; B29C 70/26; B29C 70/28;
 B29C 41/12; B29C 41/36; B29C 67/0081;
 B41J 2/155; B41J 2/17513; B41J
 2/17556; B41J 2/17596; B41J 2/16552;
 B41J 2/16541; B41J 2002/20; B41J
 2002/14475; B29K 2995/0021

See application file for complete search history.

(56)

References Cited

U.S. PATENT DOCUMENTS

D722,108	S	*	2/2015	Reches	D18/50
D734,788	S	*	7/2015	Reches	D15/122
D759,158	S	*	6/2016	Lee	D18/50
D766,998	S	*	9/2016	Kao	D15/122
D783,693	S	*	4/2017	Reches	D15/122
D835,162	S	*	12/2018	Reches	D15/122
D841,702	S	*	2/2019	Moroni	D15/122
D854,591	S	*	7/2019	Gupta	D15/122
D858,590	S	*	9/2019	Kazaoka	D15/122
2015/0352788	A1	*	12/2015	Livingston	B65D 11/20 264/401

FOREIGN PATENT DOCUMENTS

WO	WO-2017050118	A1	*	3/2017	B29C 67/00
WO	WO-2017162118	A1	*	9/2017	B29C 67/00
WO	WO-2017165832	A1	*	9/2017	B29C 67/00

OTHER PUBLICATIONS

YouTube. Link: https://www.youtube.com/watch?v=AzWTqUI_fAA. Nov. 12, 2019. Formlabs Introducing The Form 3B: Optimized For Dental. (Year: 2019).*

* cited by examiner

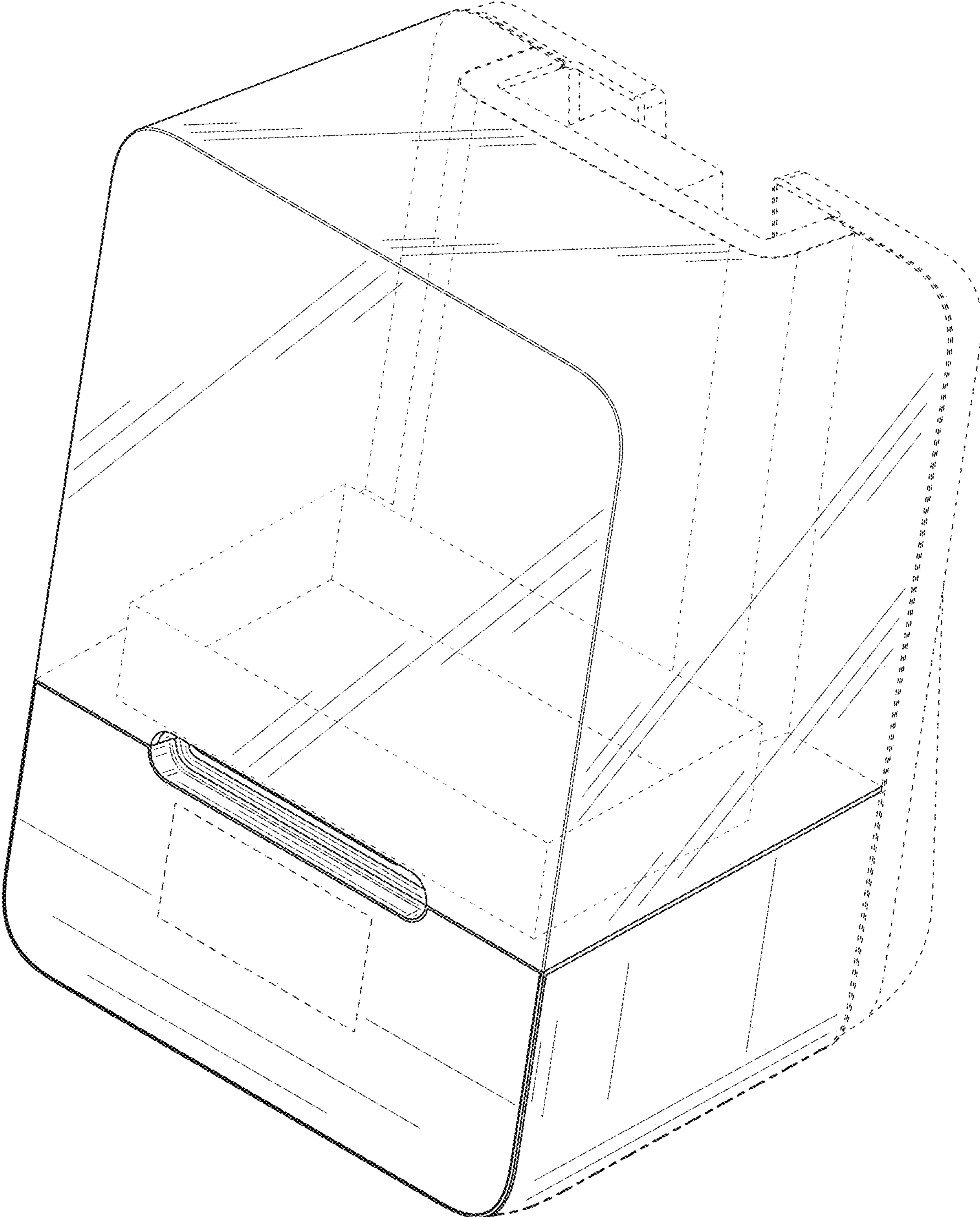


FIG. 1

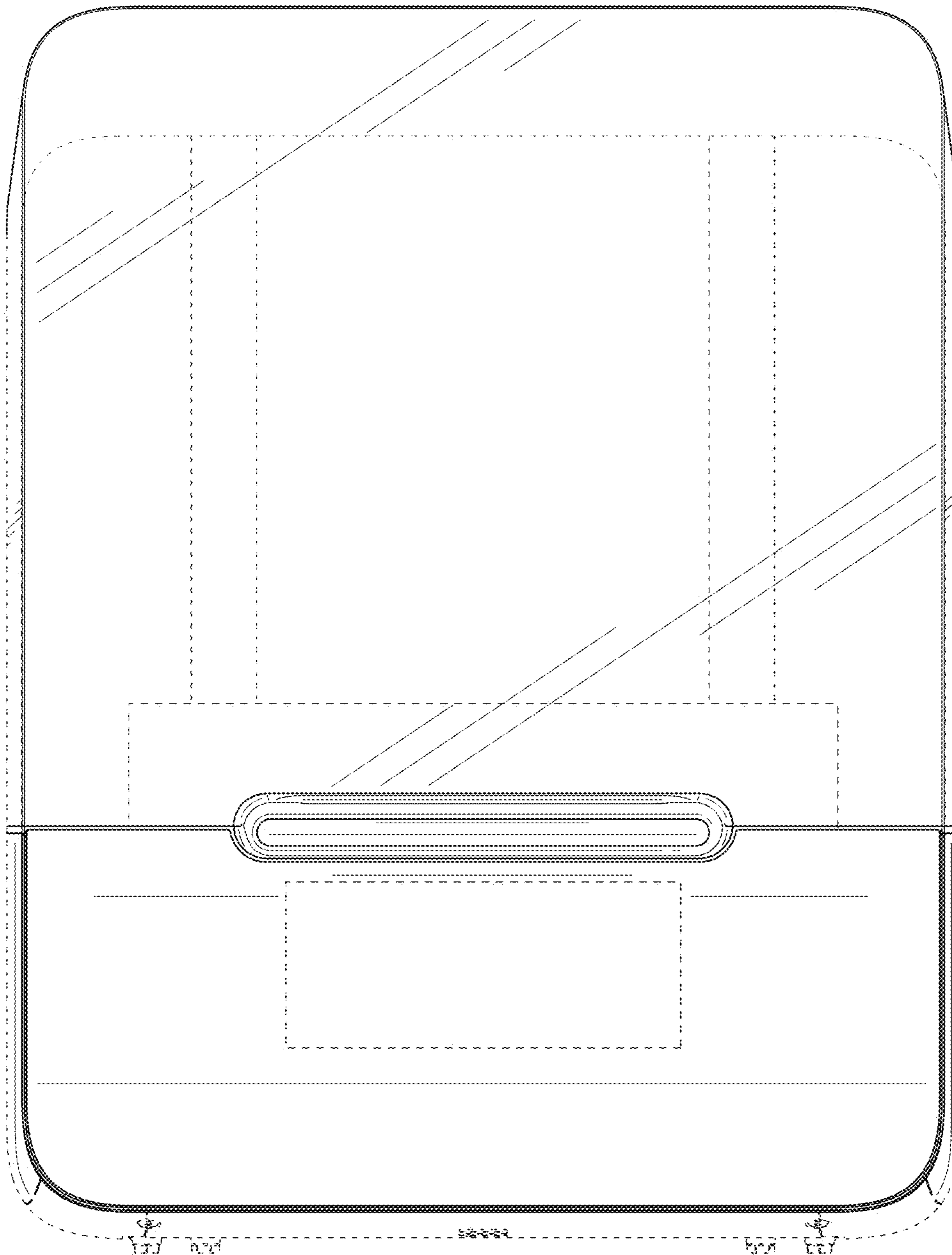


FIG. 2



FIG. 3

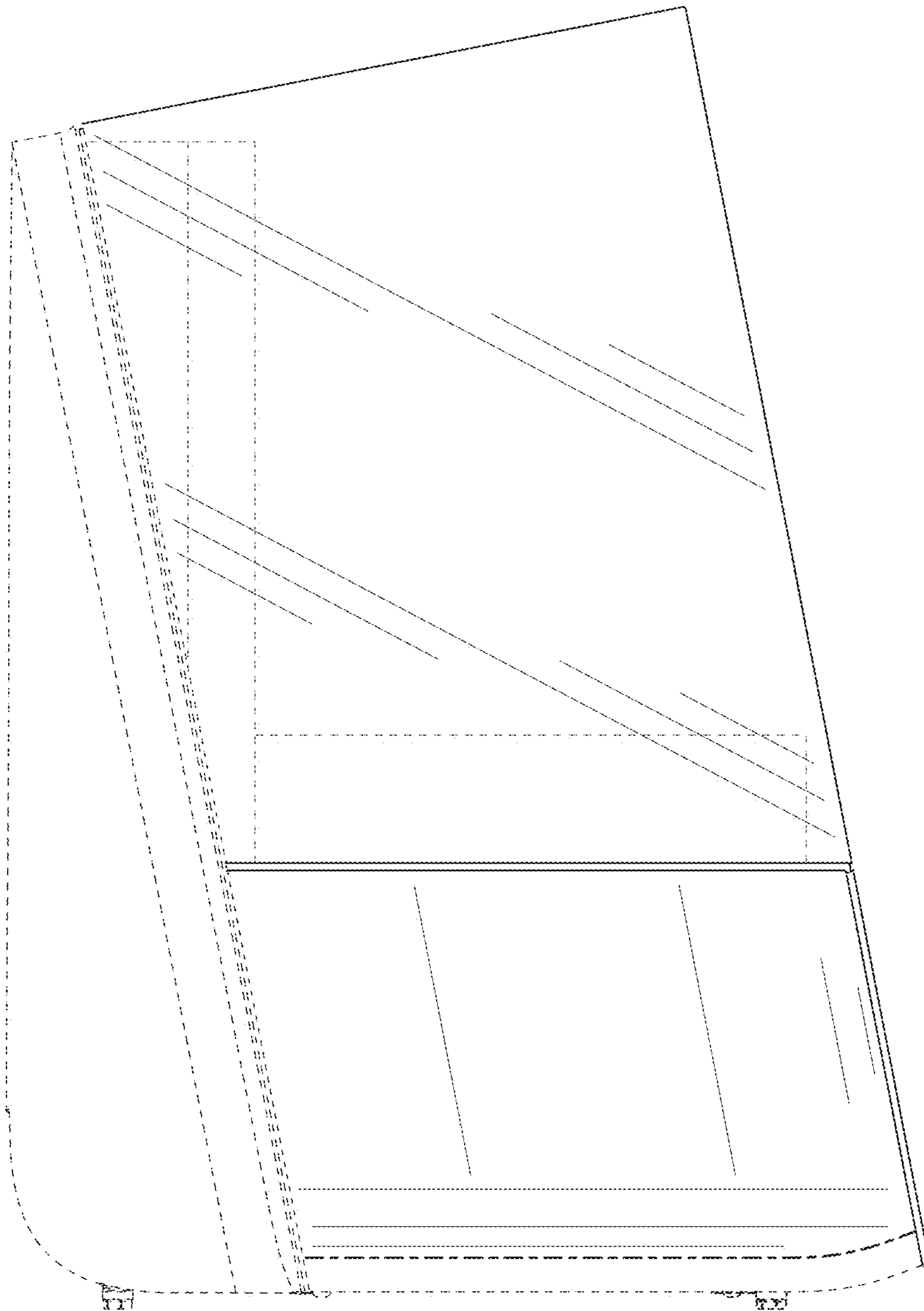


FIG. 4

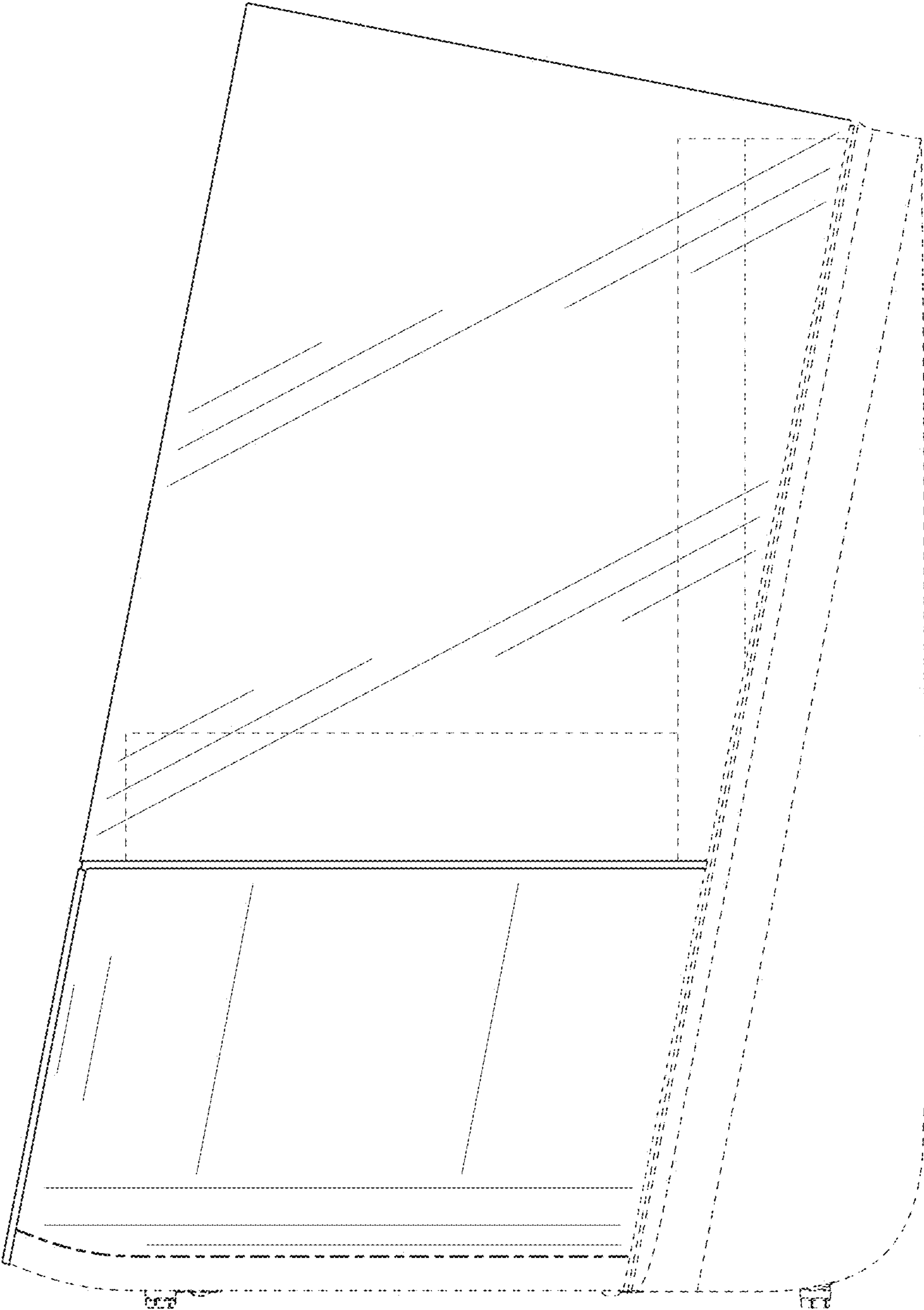


FIG. 5

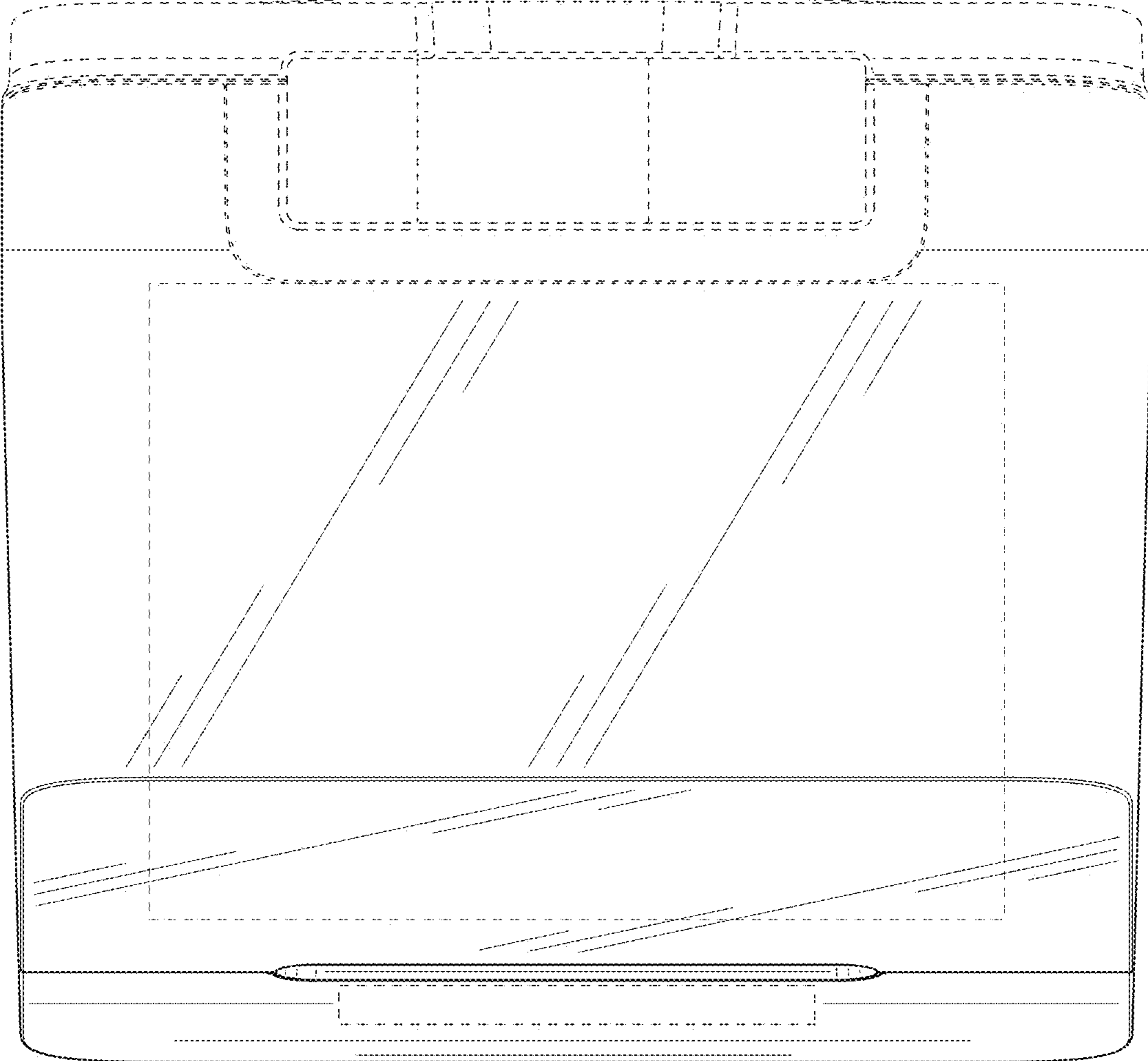


FIG. 6

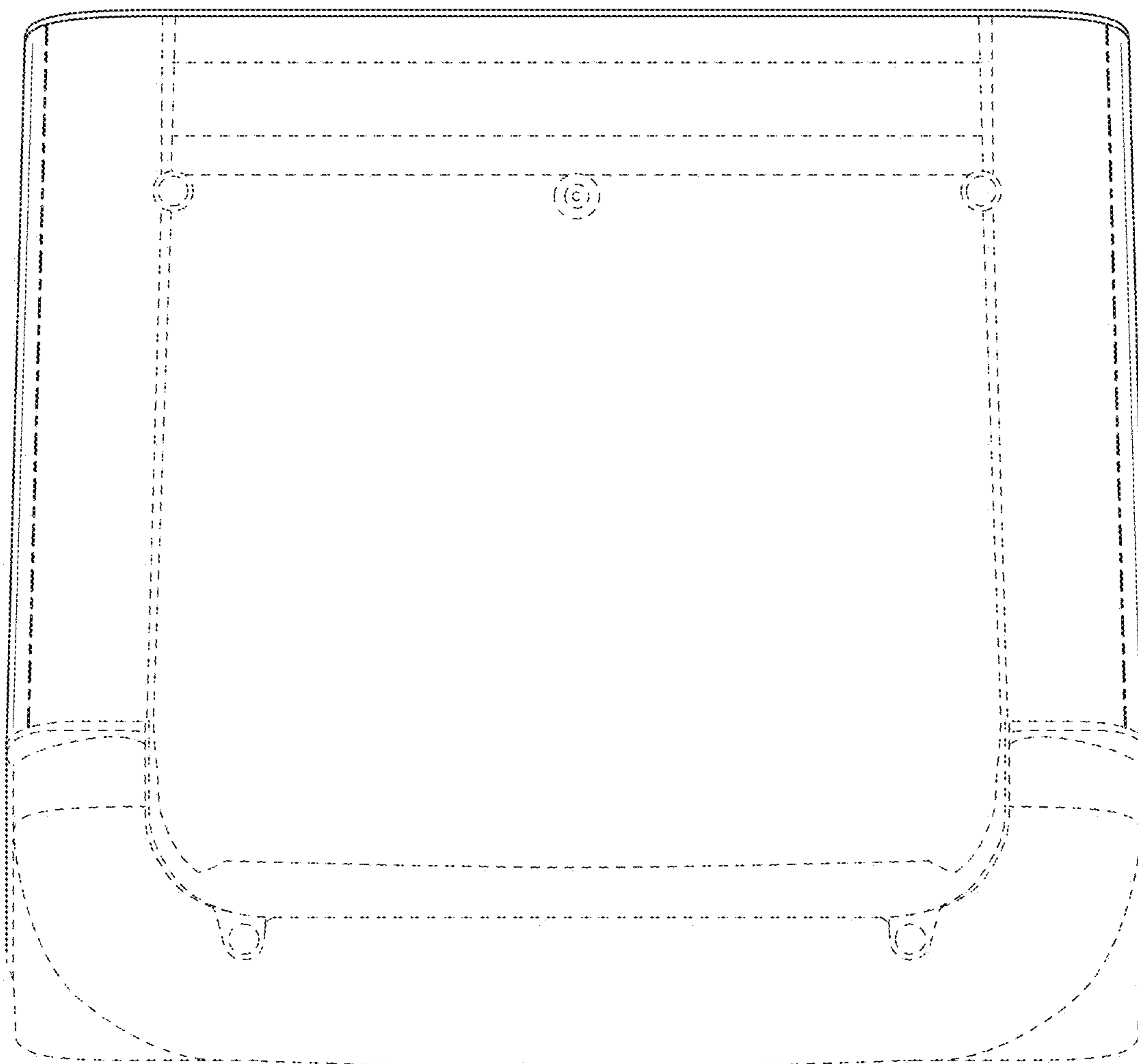


FIG. 7

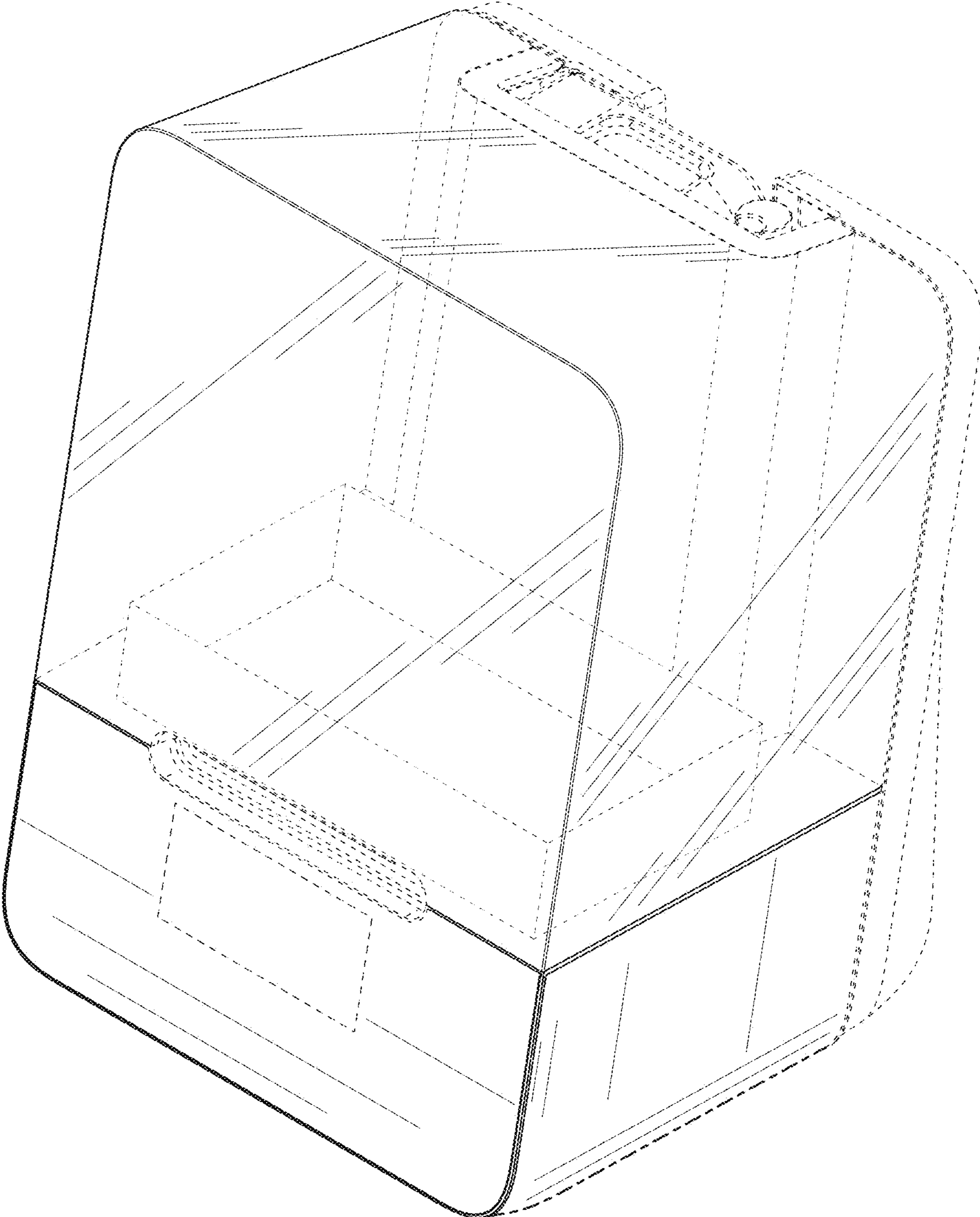


FIG. 8

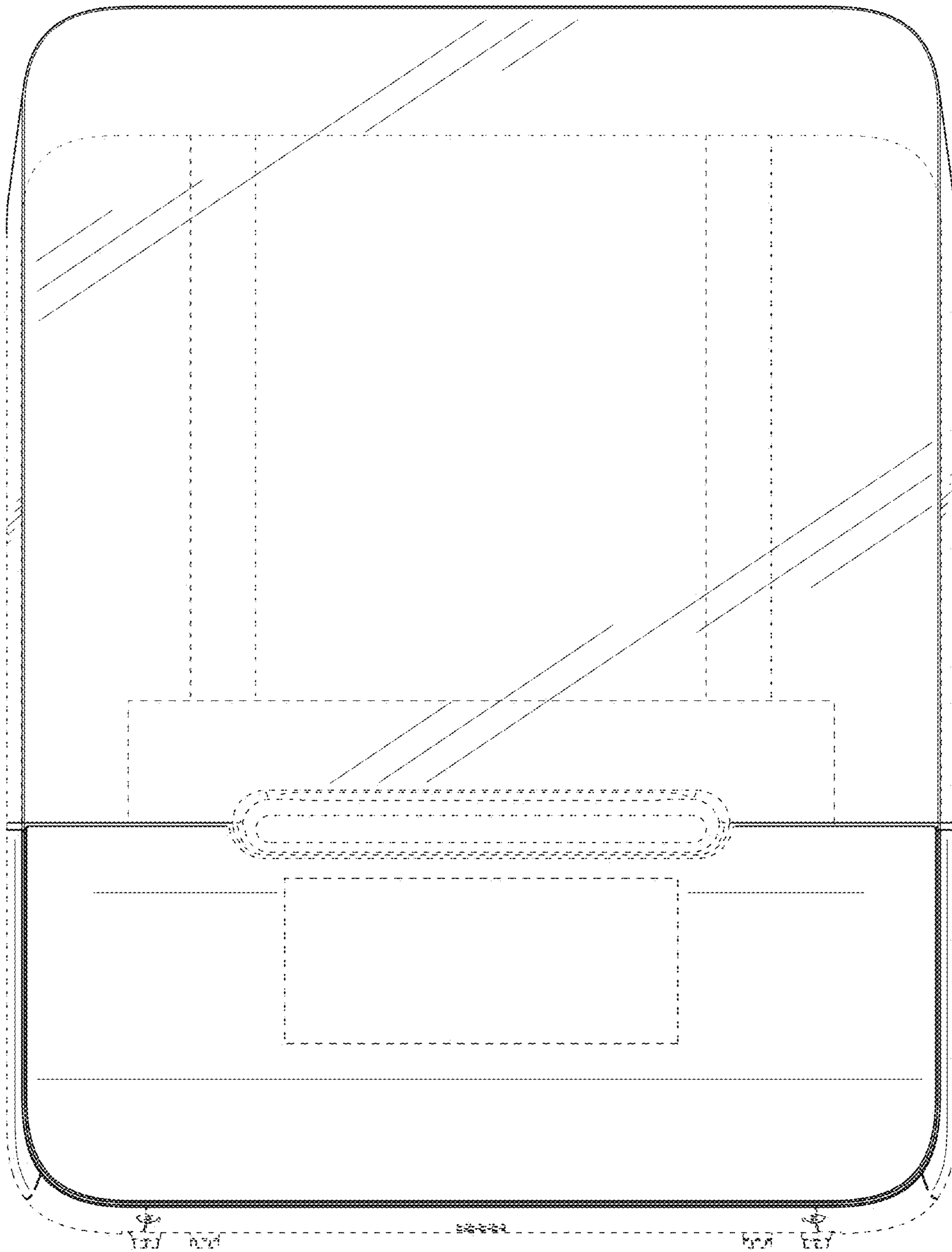


FIG. 9

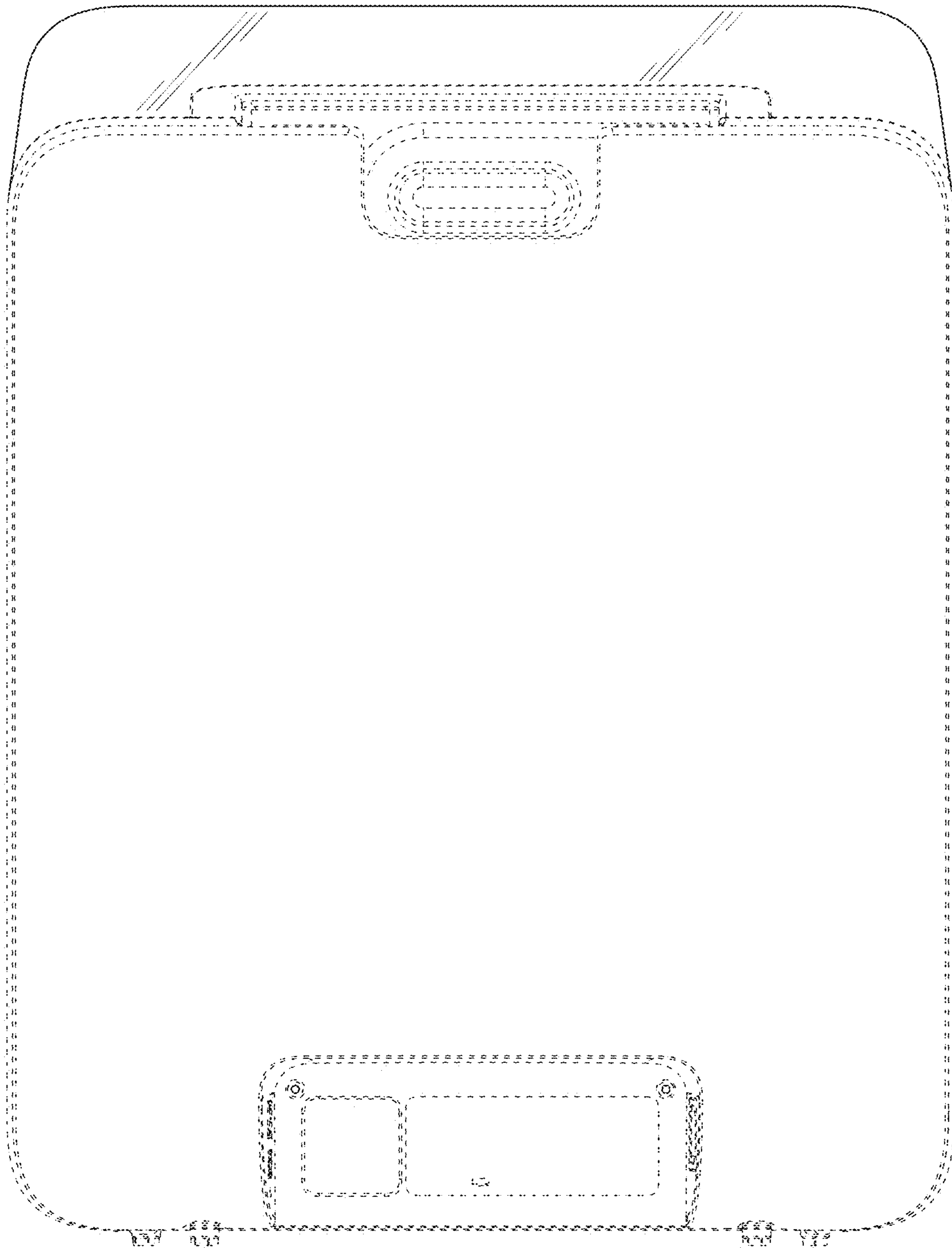


FIG. 10

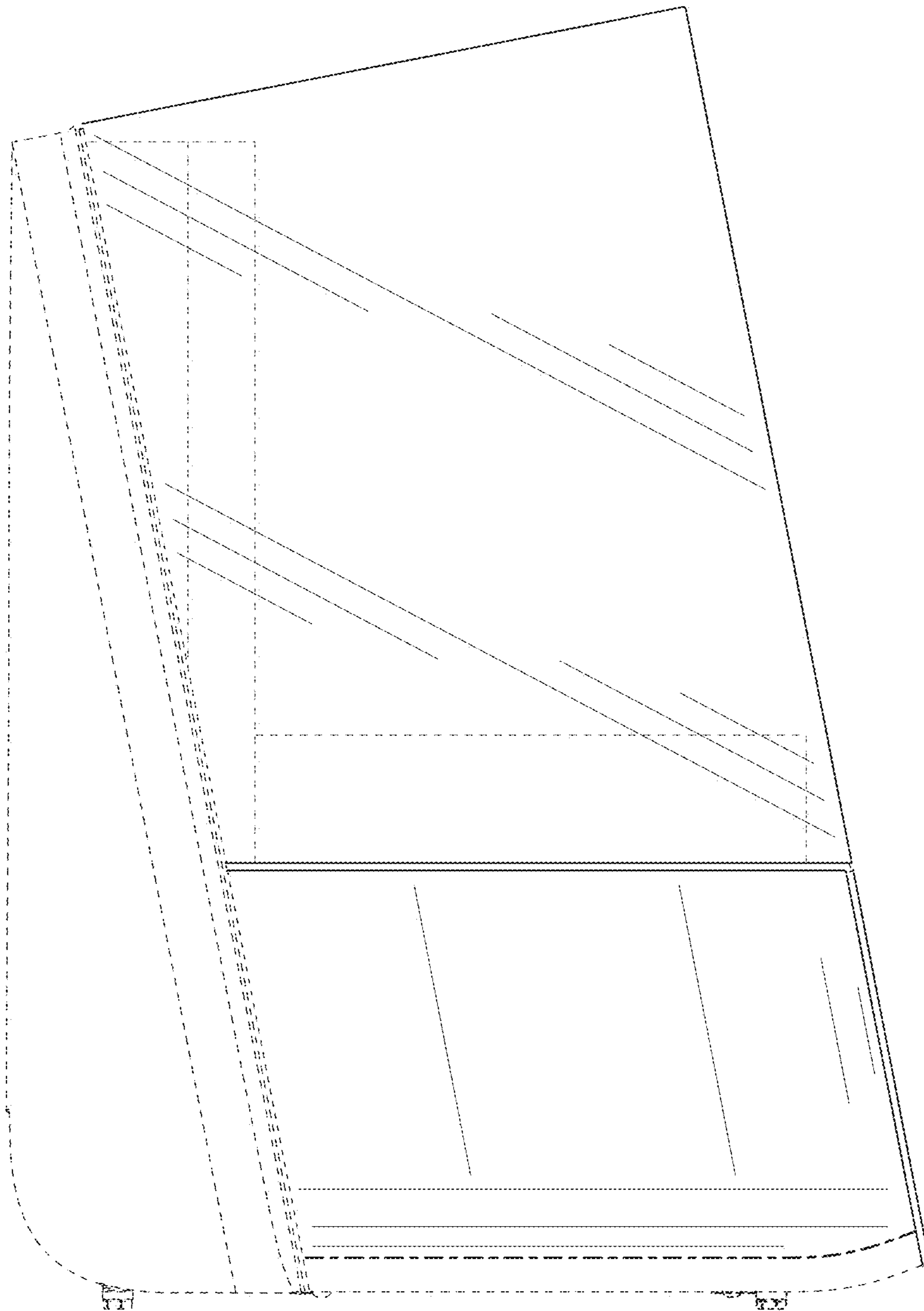


FIG. 11

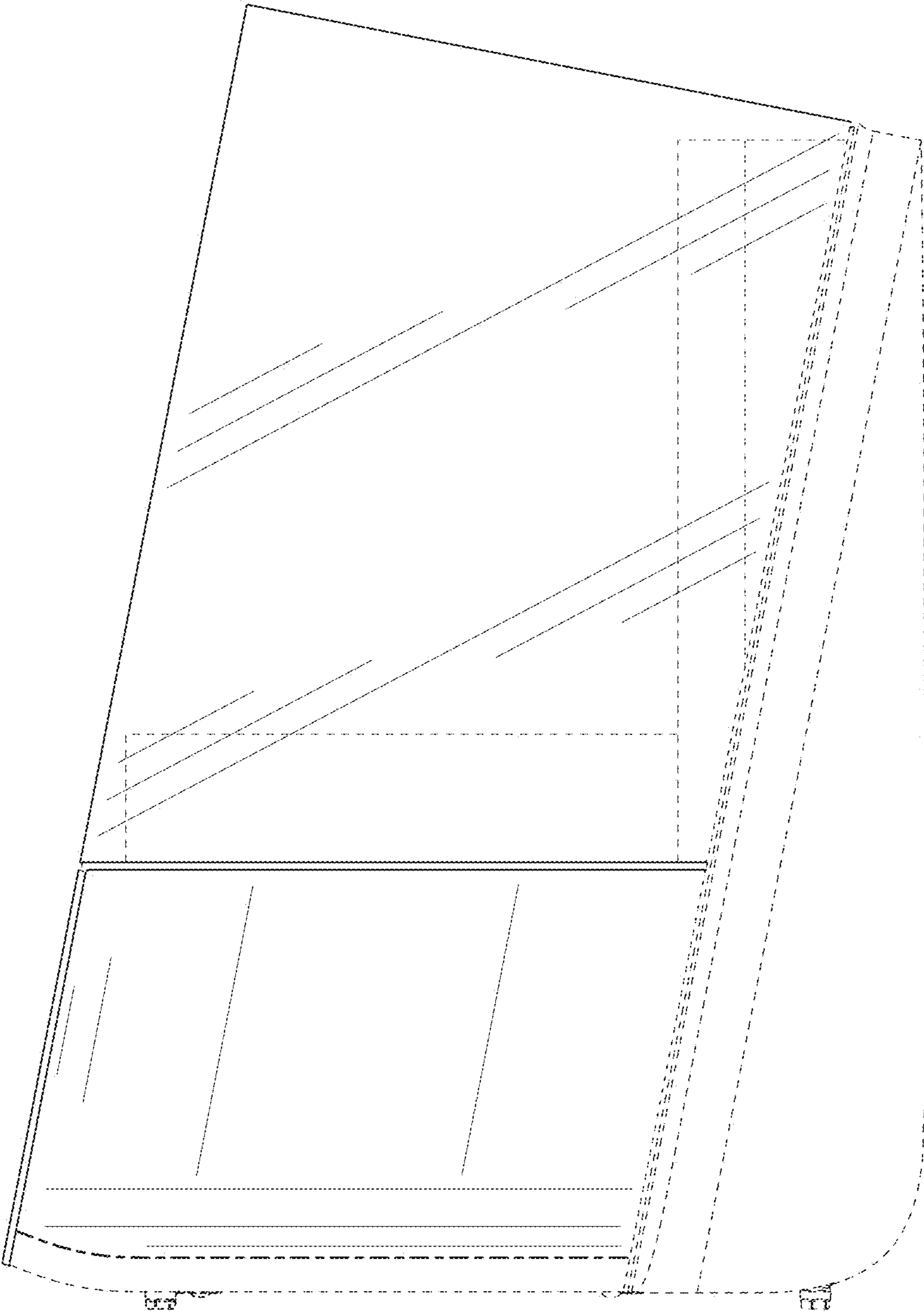


FIG. 12

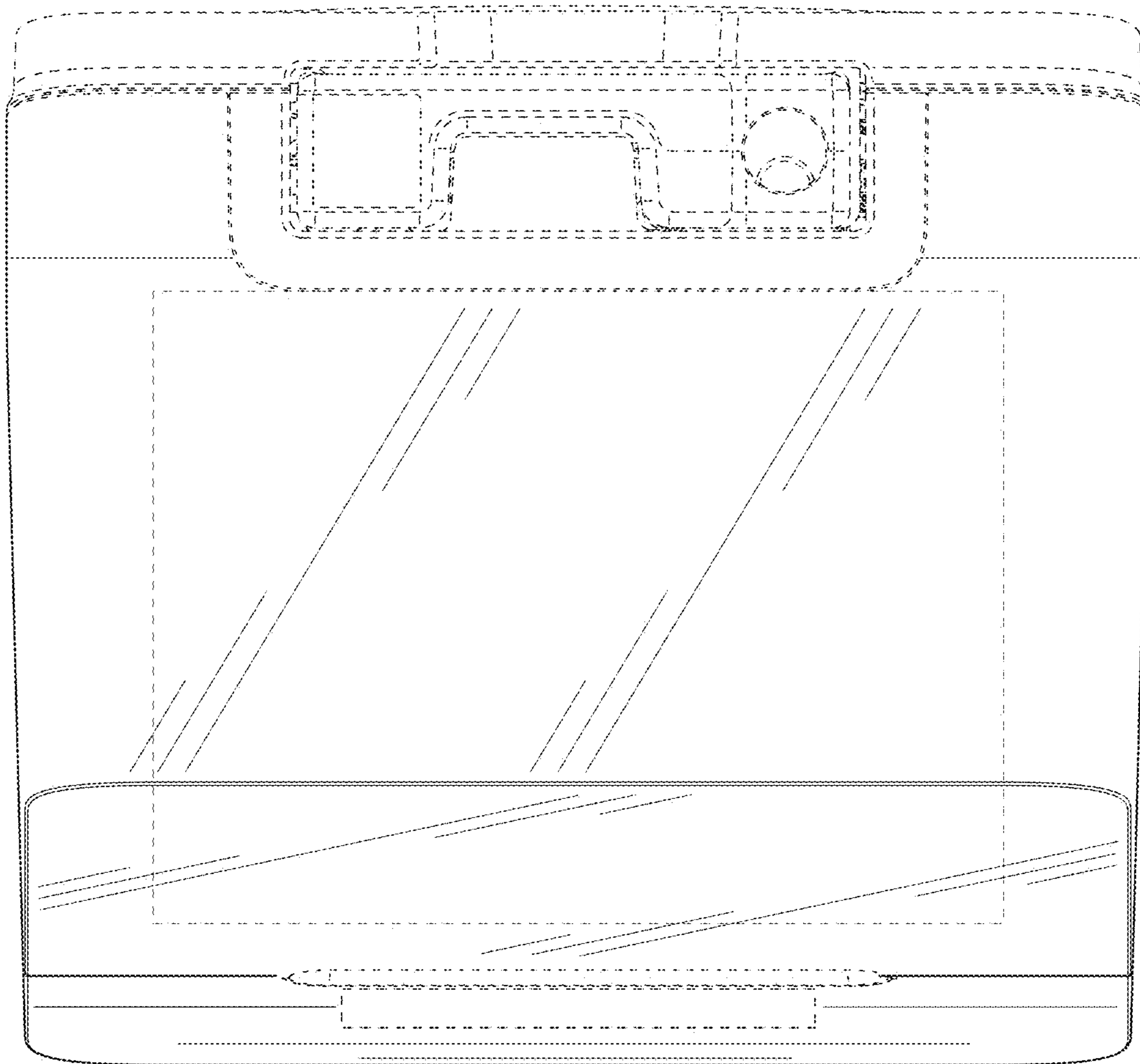


FIG. 13

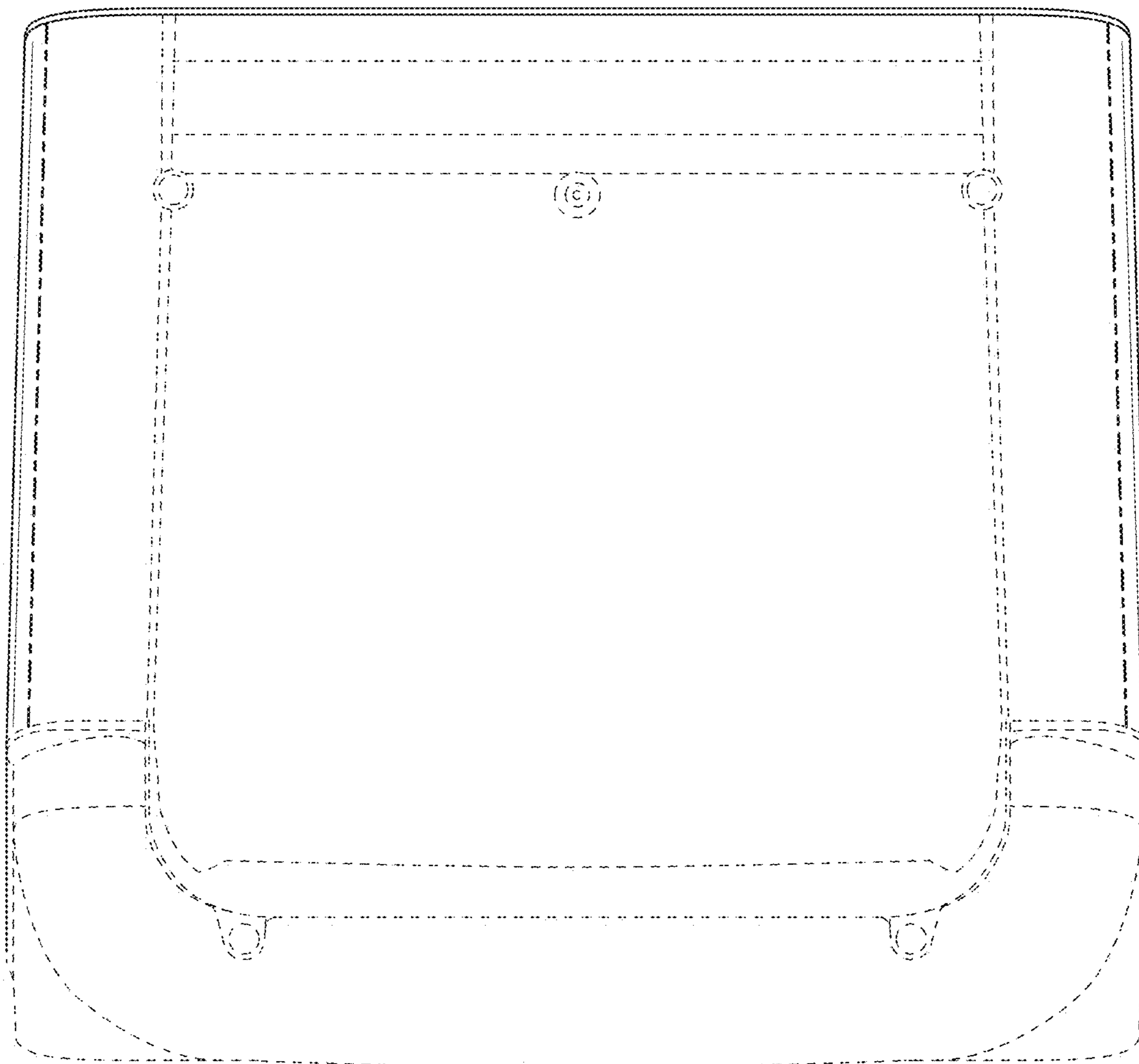


FIG. 14

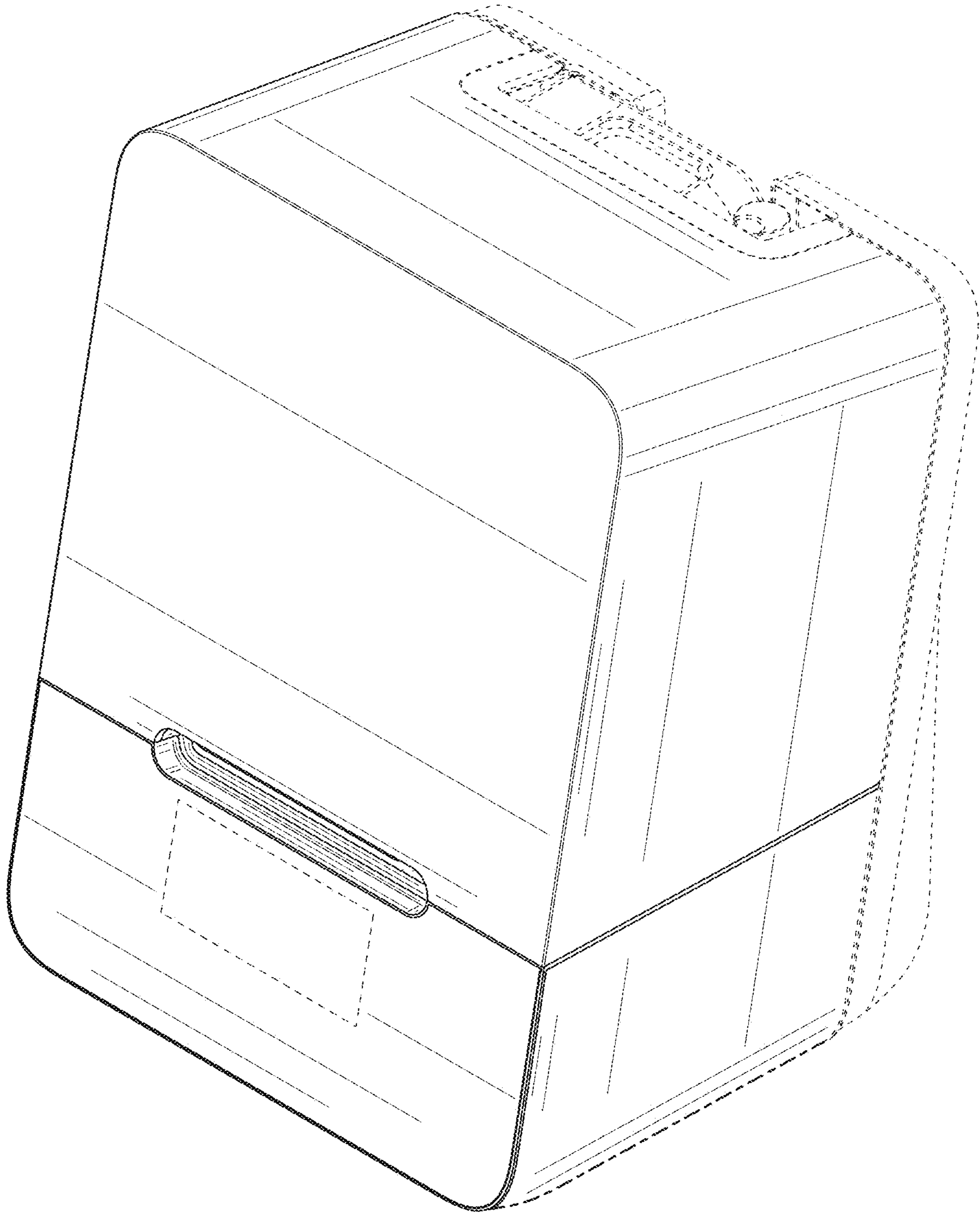


FIG. 15

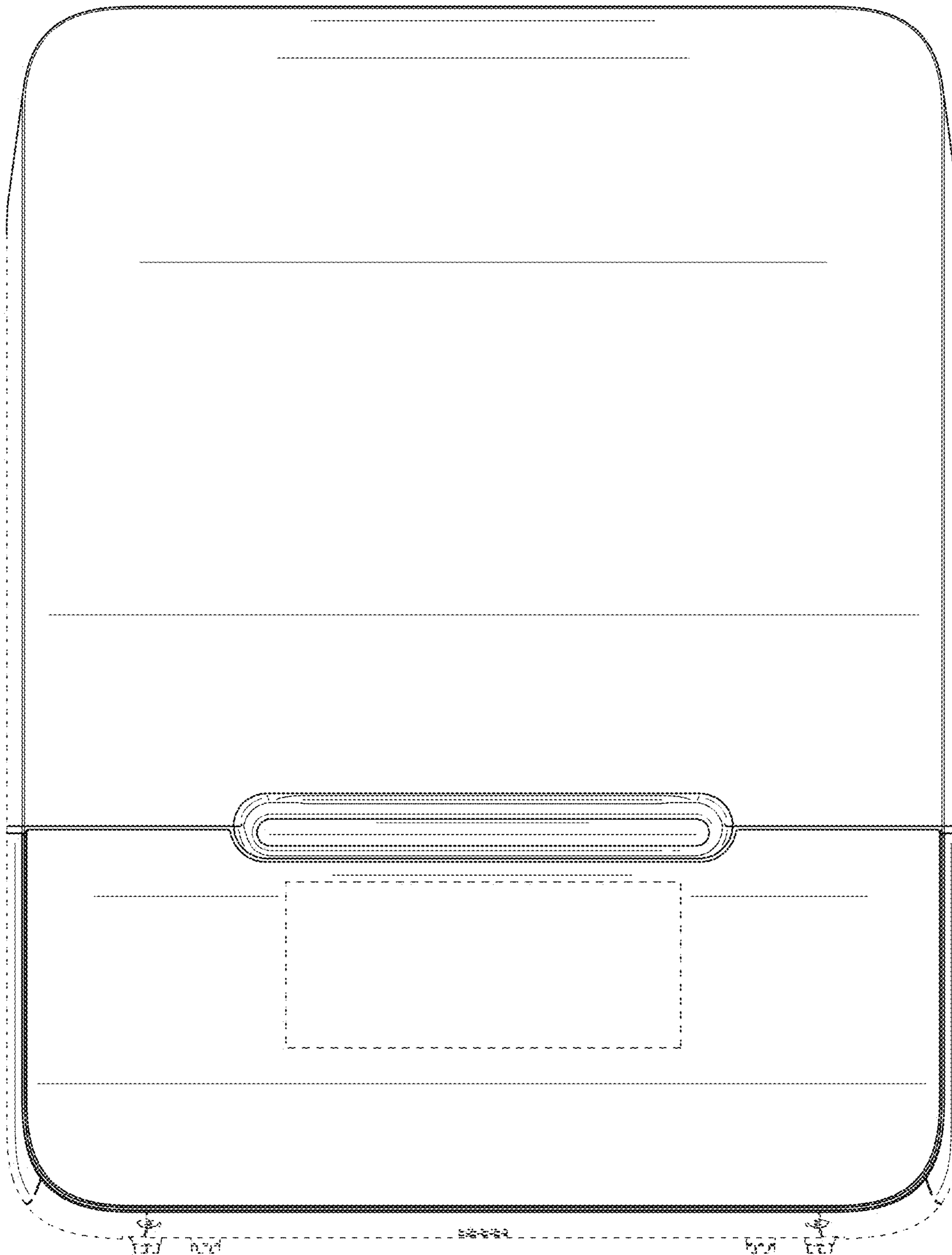


FIG. 16

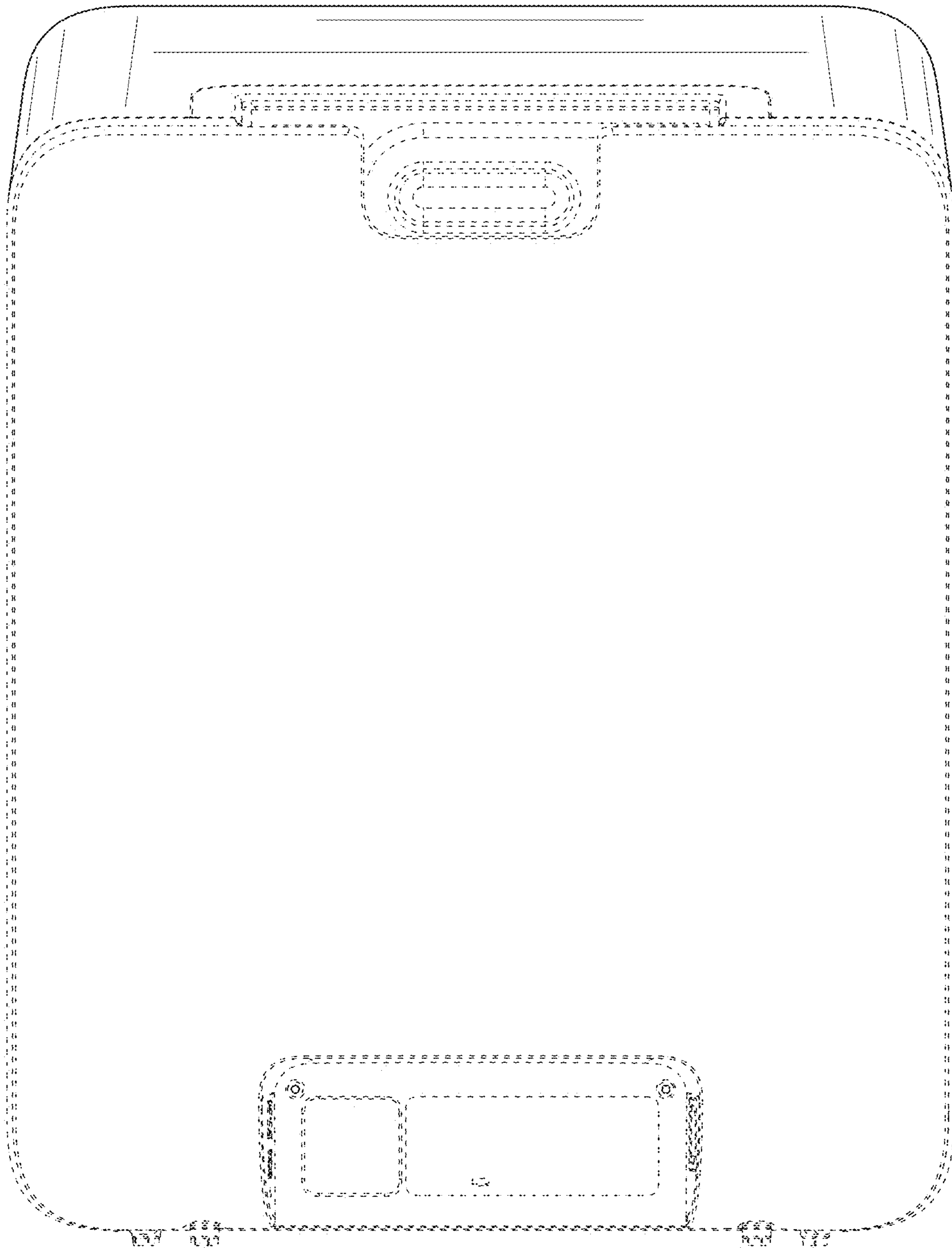


FIG. 17

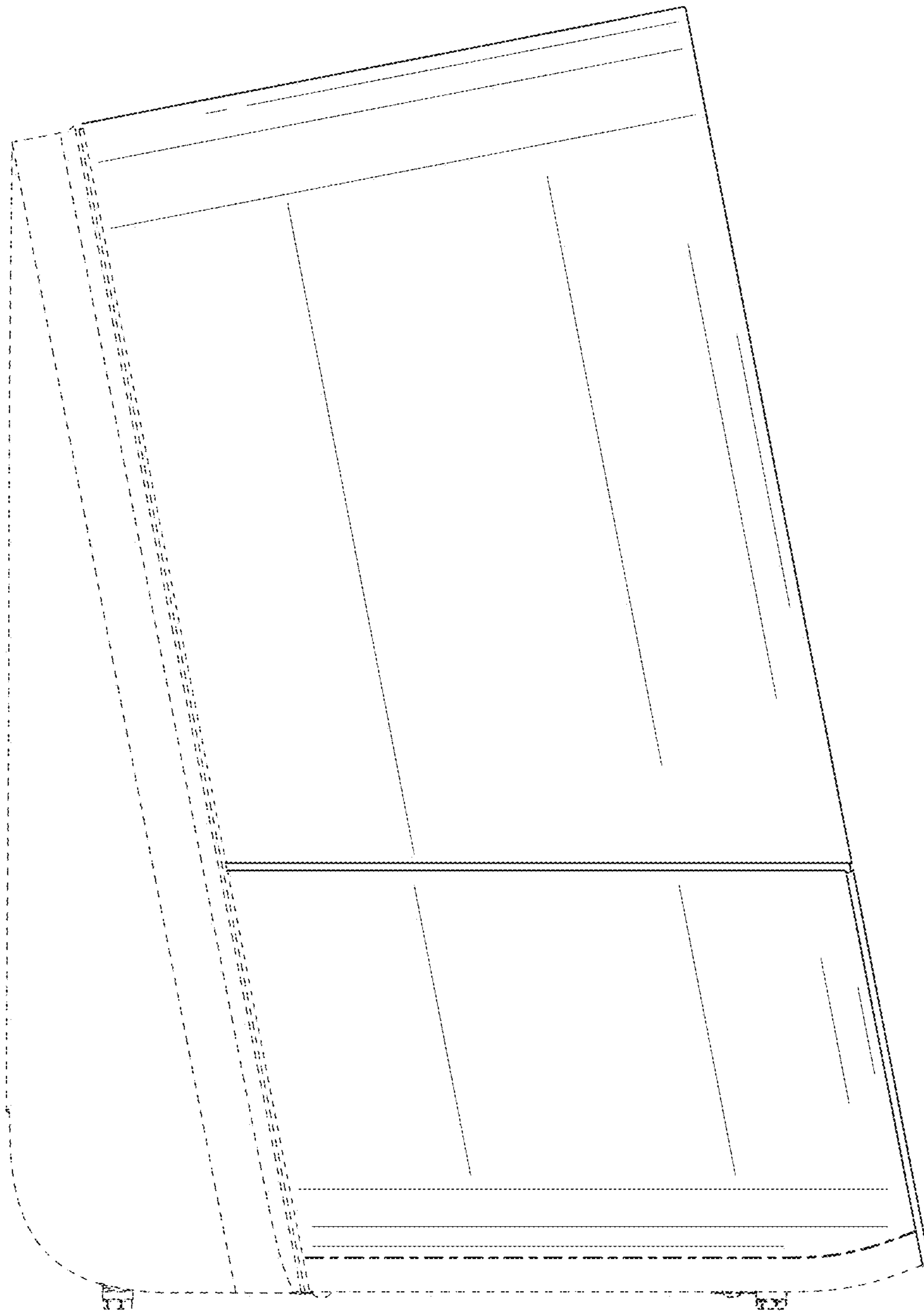


FIG. 18

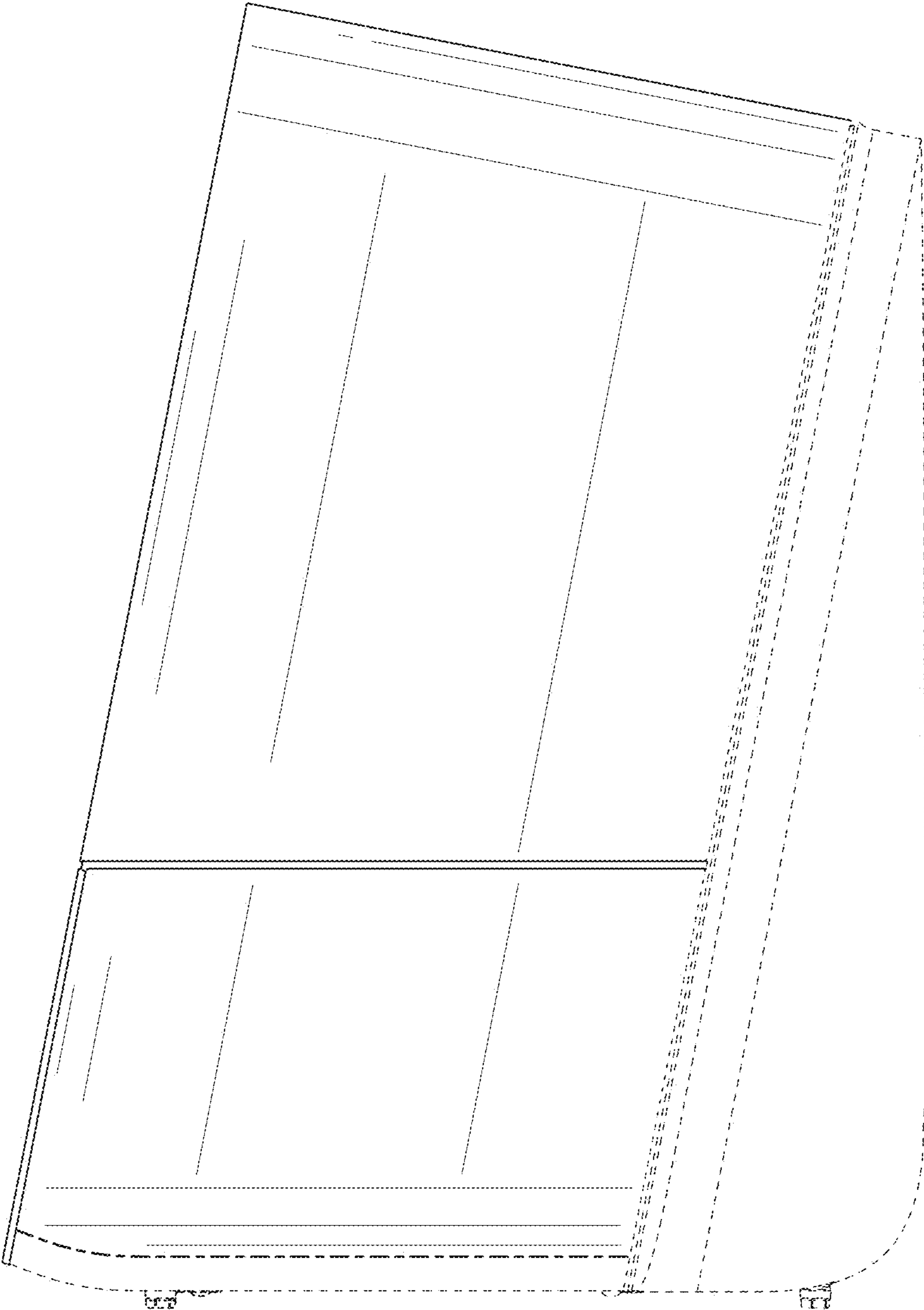


FIG. 19

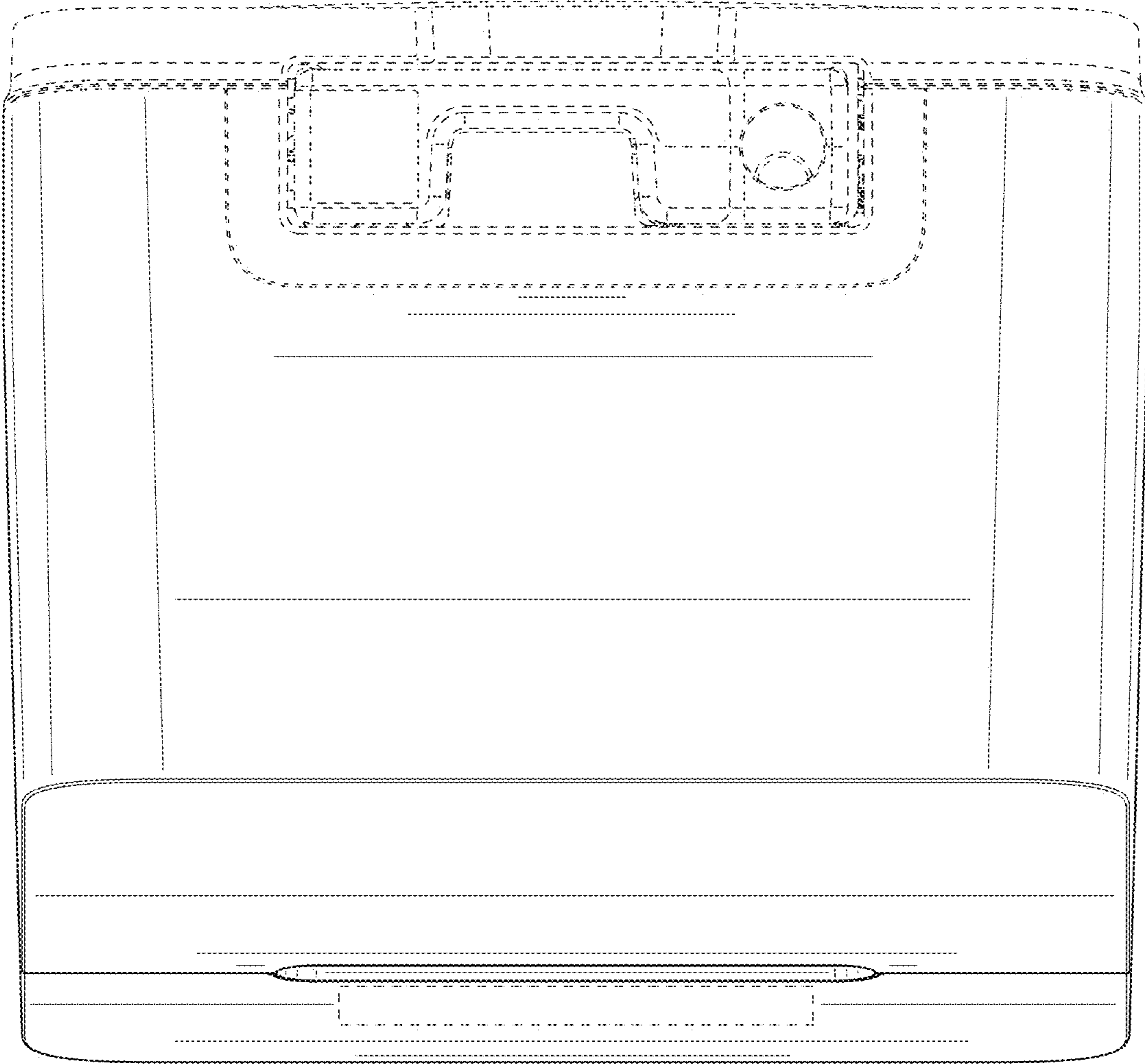


FIG. 20

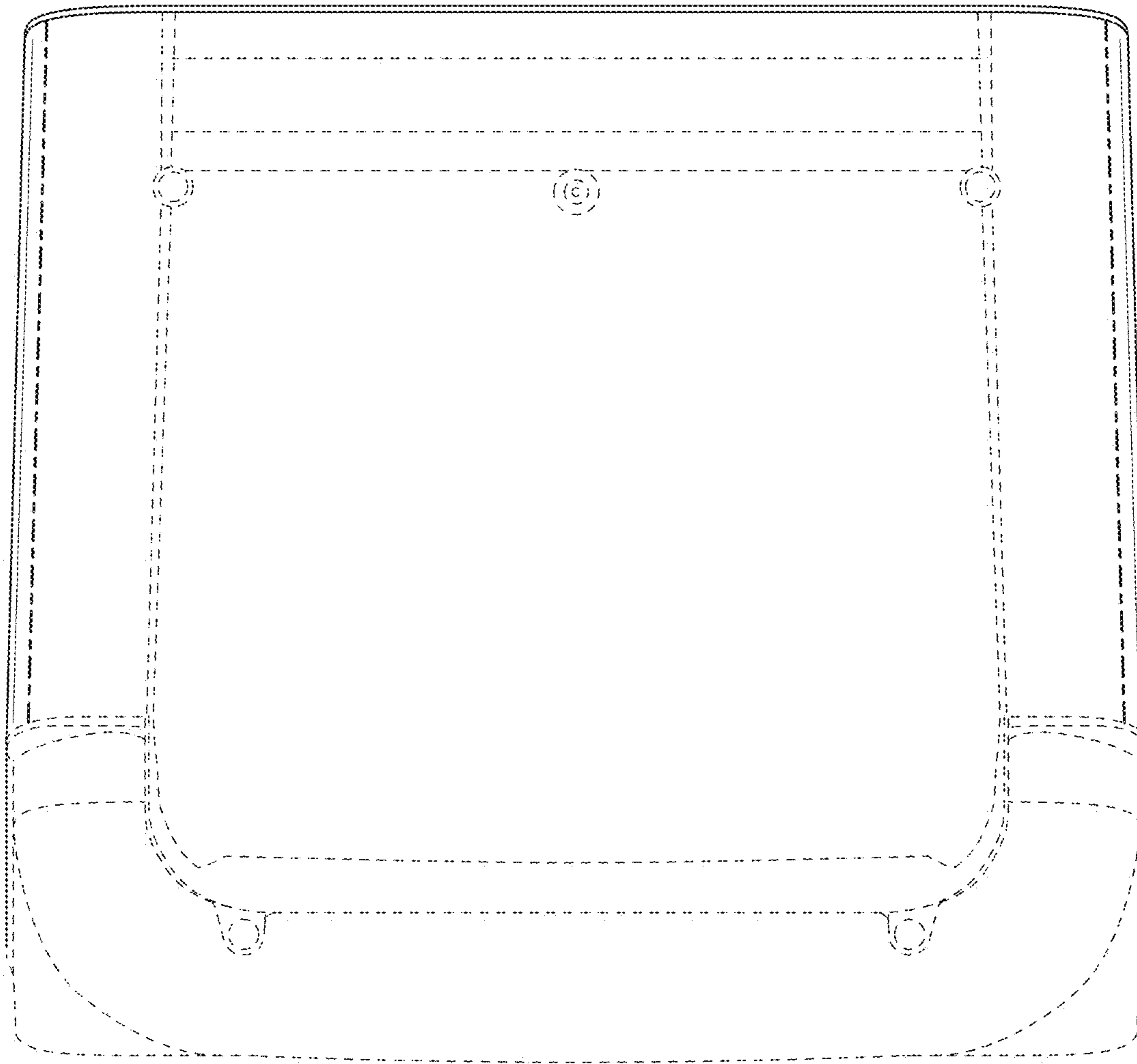


FIG. 21