



US00D893563S

(12) **United States Design Patent**
Crisp et al.

(10) **Patent No.:** **US D893,563 S**

(45) **Date of Patent:** **** Aug. 18, 2020**

- (54) **HEAT PRESS**
- (71) Applicant: **Cricut, Inc.**, South Jordan, UT (US)
- (72) Inventors: **Thomas Crisp**, El Cerrito, CA (US);
Grayson Stopp, San Francisco, CA (US)
- (73) Assignee: **Cricut, Inc.**, South Jordan, UT (US)
- (**) Term: **15 Years**
- (21) Appl. No.: **29/658,664**
- (22) Filed: **Aug. 1, 2018**
- (51) **LOC (12) Cl.** **15-09**
- (52) **U.S. Cl.**
USPC **D15/122**
- (58) **Field of Classification Search**
USPC D15/122, 123, 145, 146; D32/70
CPC B30B 1/04; B30B 15/04; B30B 15/18;
B30B 15/048; B30B 15/064; B30B 15/287; B30B 15/0094; B32B 37/06;
B32B 37/0053; B32B 2309/02; B41F 16/00; B41F 16/02; B41F 16/026
See application file for complete search history.

- (56) **References Cited**
U.S. PATENT DOCUMENTS
- 1,466,714 A * 9/1923 Harnden B41F 1/22
101/3.1
- D201,392 S * 6/1965 Cooper D15/146
- D206,729 S * 1/1967 Finke D15/146
- D250,340 S * 11/1978 Douglas D15/146
- D293,952 S * 1/1988 Hsu D32/69
- 4,925,381 A * 5/1990 Aoki B29C 43/34
425/145
- 6,151,814 A * 11/2000 Raio D06F 71/026
38/30

- 7,185,584 B1 * 3/2007 Woods B41F 16/02
100/224
- D561,792 S * 2/2008 Johnson D15/146
- 8,418,739 B2 * 4/2013 Robinson B30B 15/028
156/358
- D714,850 S * 10/2014 De La Hamayde D15/146
- D728,885 S * 5/2015 Dierker D32/70
- D746,011 S * 12/2015 Orthey D32/70
- 9,289,960 B2 * 3/2016 Robinson B30B 15/041
- D845,573 S * 4/2019 Li D32/70
- D867,410 S * 11/2019 Du D15/123
- D873,313 S * 1/2020 Galkin D15/122
- D875,148 S * 2/2020 Galkin D15/146
- D875,149 S * 2/2020 Galkin D15/146
- 2007/0101876 A1 * 5/2007 Cowan B41F 16/02
101/34

(Continued)

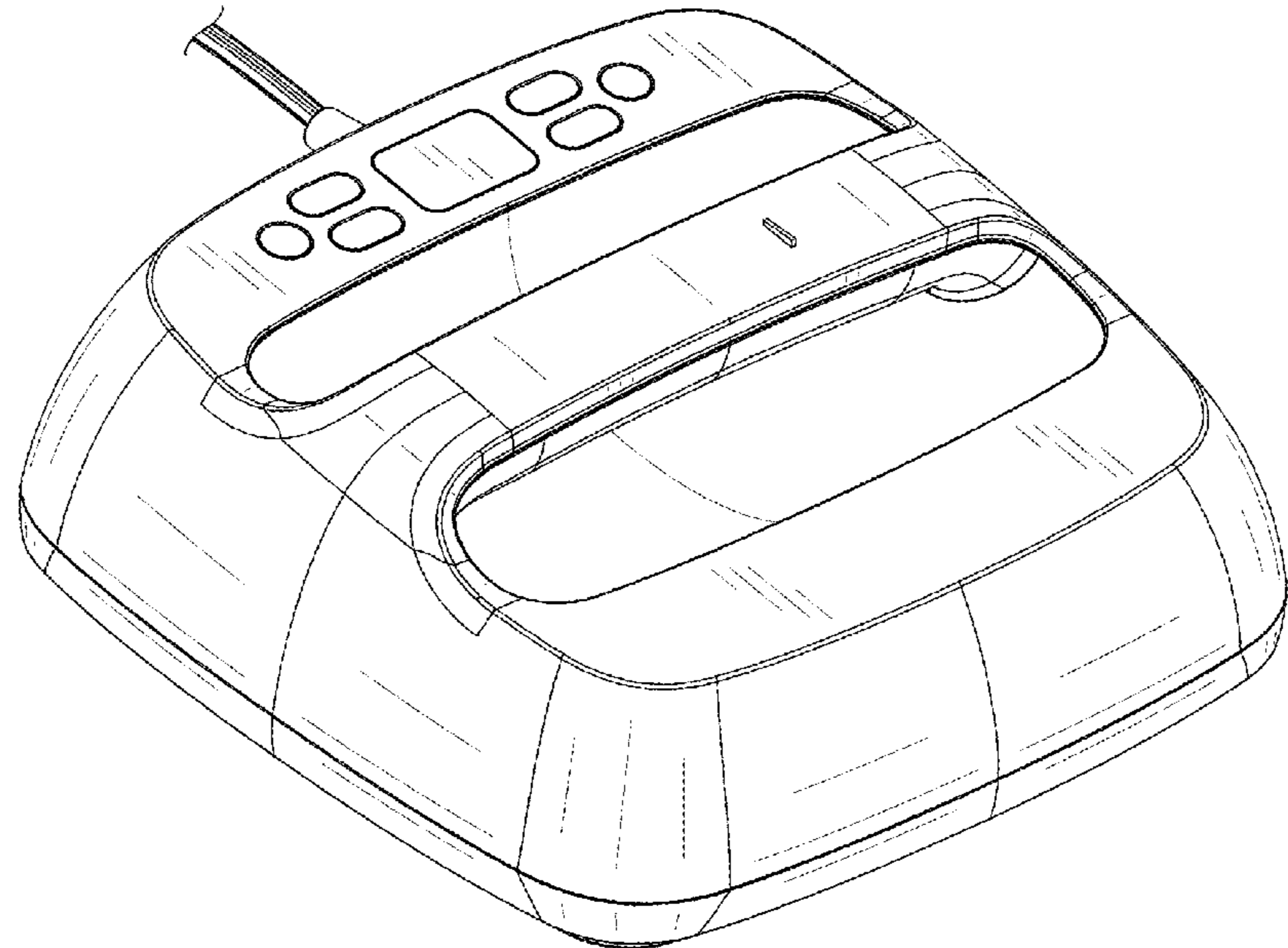
Primary Examiner — Patricia A Palasik
(74) *Attorney, Agent, or Firm* — Honigman LLP

(57) **CLAIM**
The ornamental design for a heat press, as shown and described.

DESCRIPTION

FIG. 1 is a front/left-side isometric view of the heat press, FIG. 2 is a rear/left side isometric view of the heat press of FIG. 1, FIG. 3 is a front elevational view of the heat press of FIG. 1, FIG. 4 is a rear elevational view of the heat press of FIG. 1, FIG. 5 is a left side elevational view of the heat press of FIG. 1, FIG. 6 is a right side elevational view of the heat press of FIG. 1, FIG. 7 is a top plan view of the heat press of FIG. 1; and, FIG. 8 is a bottom view of the heat press of FIG. 1. The shade lines in the Figures show contour and not surface ornamentation.

1 Claim, 5 Drawing Sheets



(56)

References Cited

U.S. PATENT DOCUMENTS

2010/0263788 A1* 10/2010 Lahood B32B 37/0046
156/228
2012/0180943 A1* 7/2012 Strauss B32B 37/1009
156/222
2015/0122425 A1* 5/2015 Hsiao B30B 1/04
156/583.1
2016/0250816 A1* 9/2016 Robinson B44C 1/1729
100/35
2017/0314177 A1* 11/2017 Komiya D06C 7/00
2019/0184667 A1* 6/2019 Cao B41F 16/0026

* cited by examiner

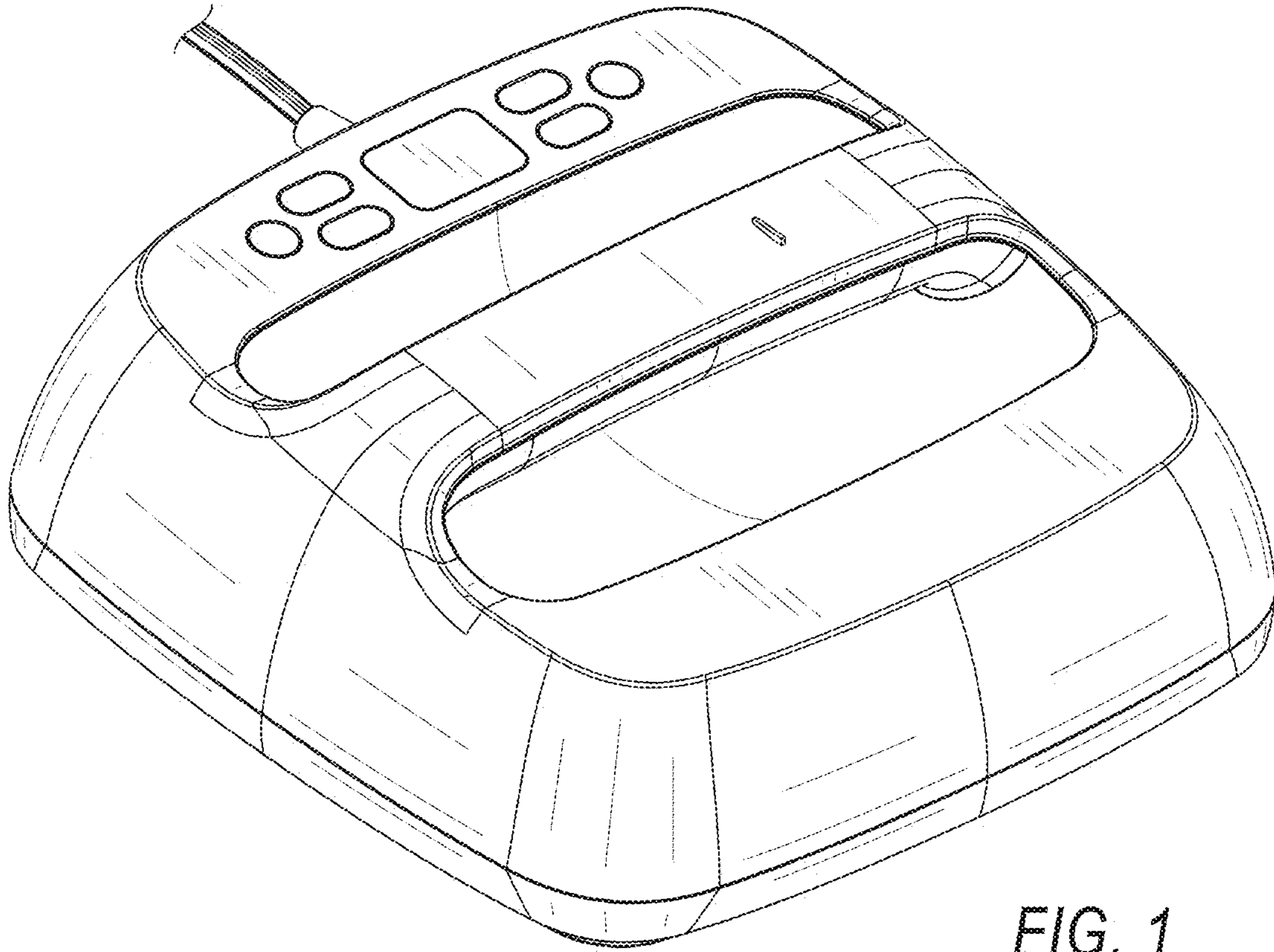


FIG. 1

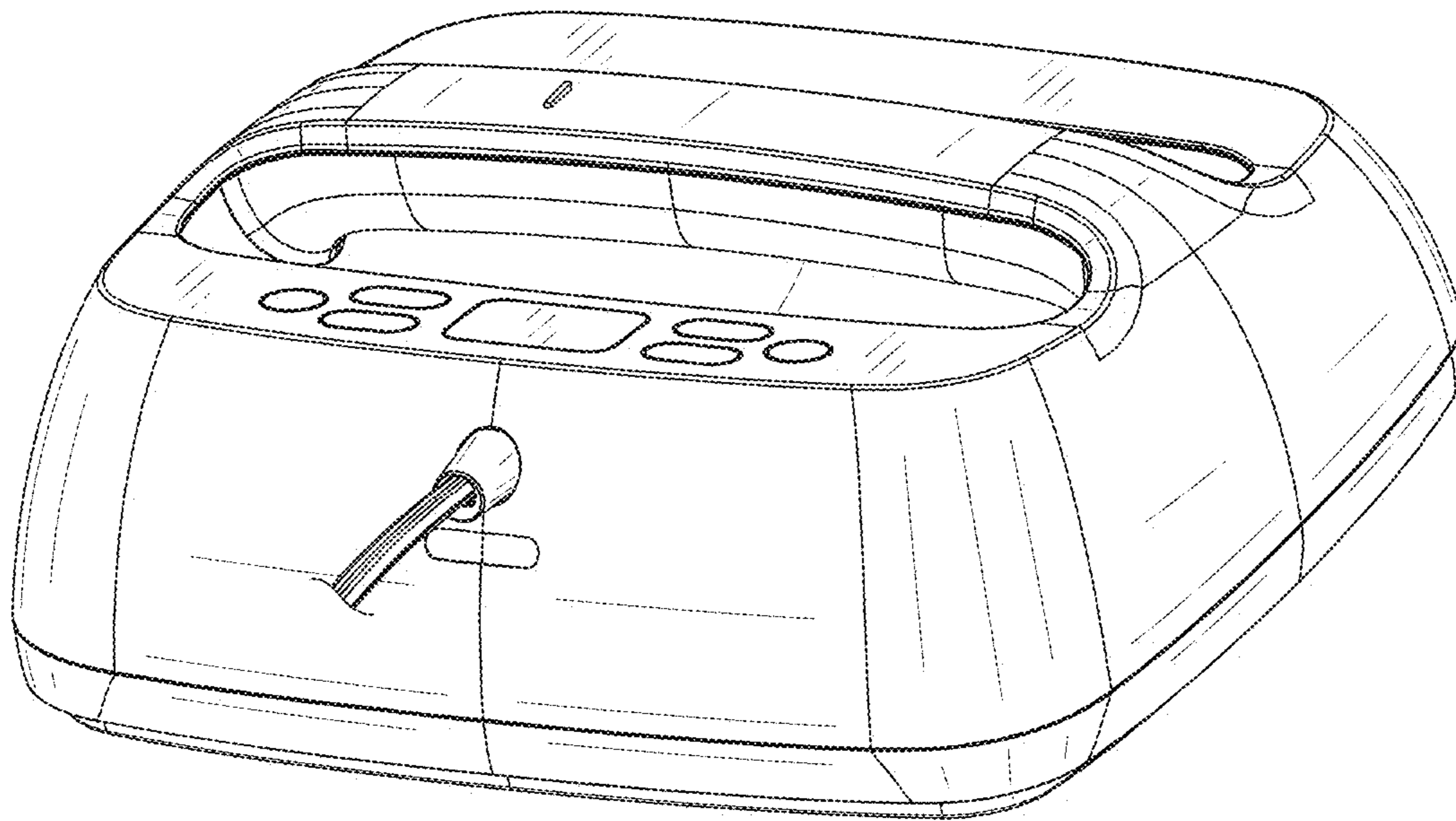


FIG. 2

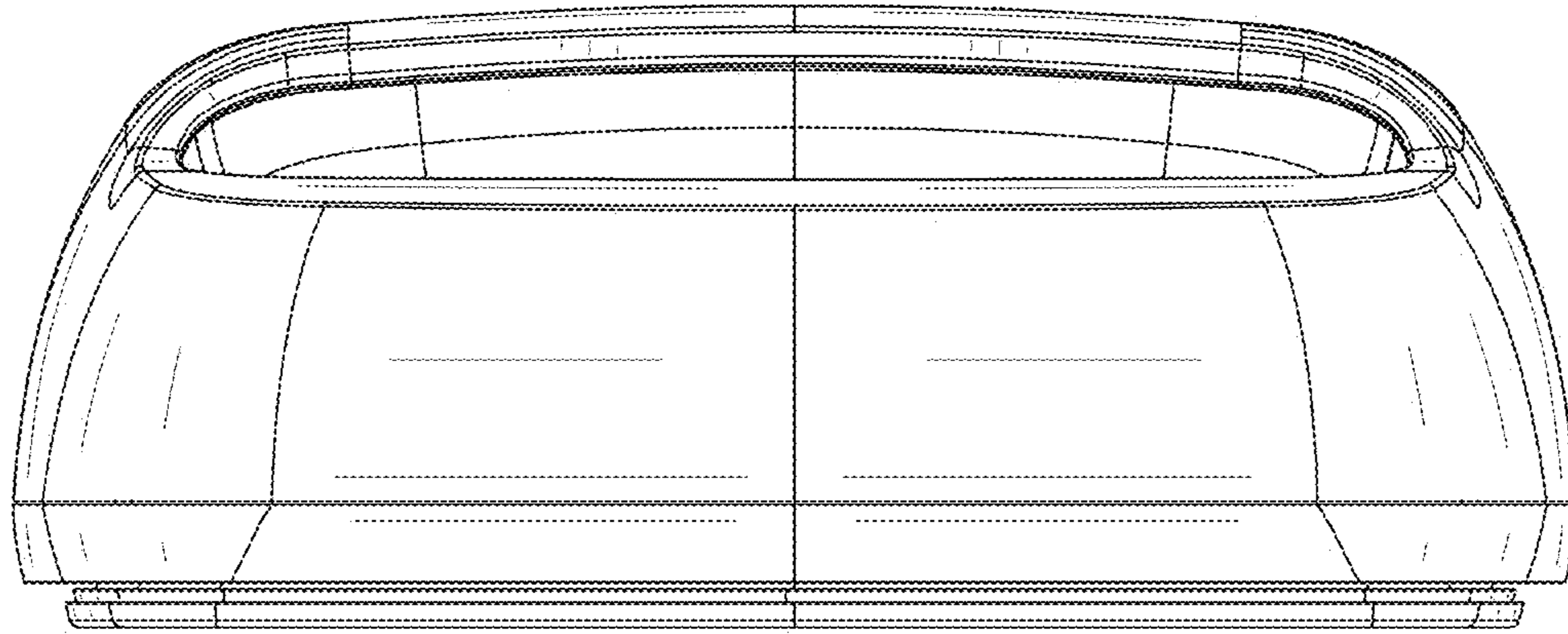


FIG. 3

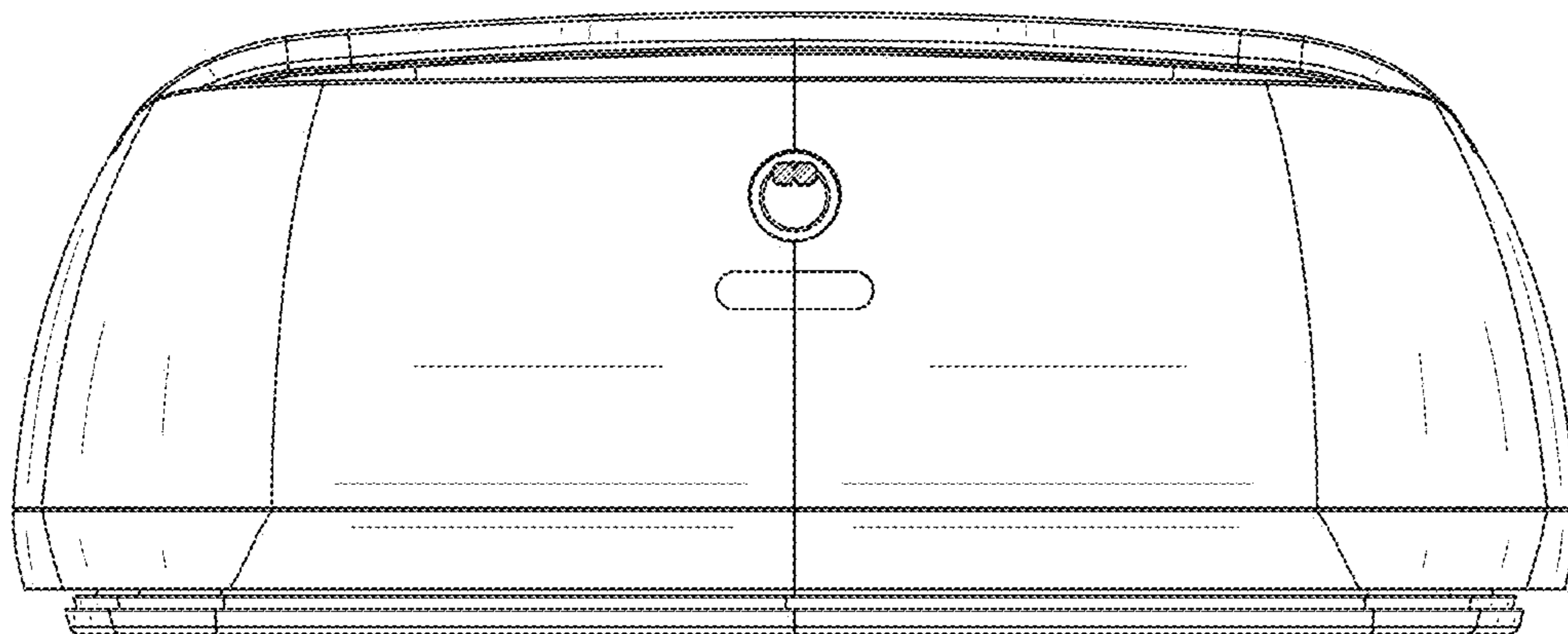


FIG. 4

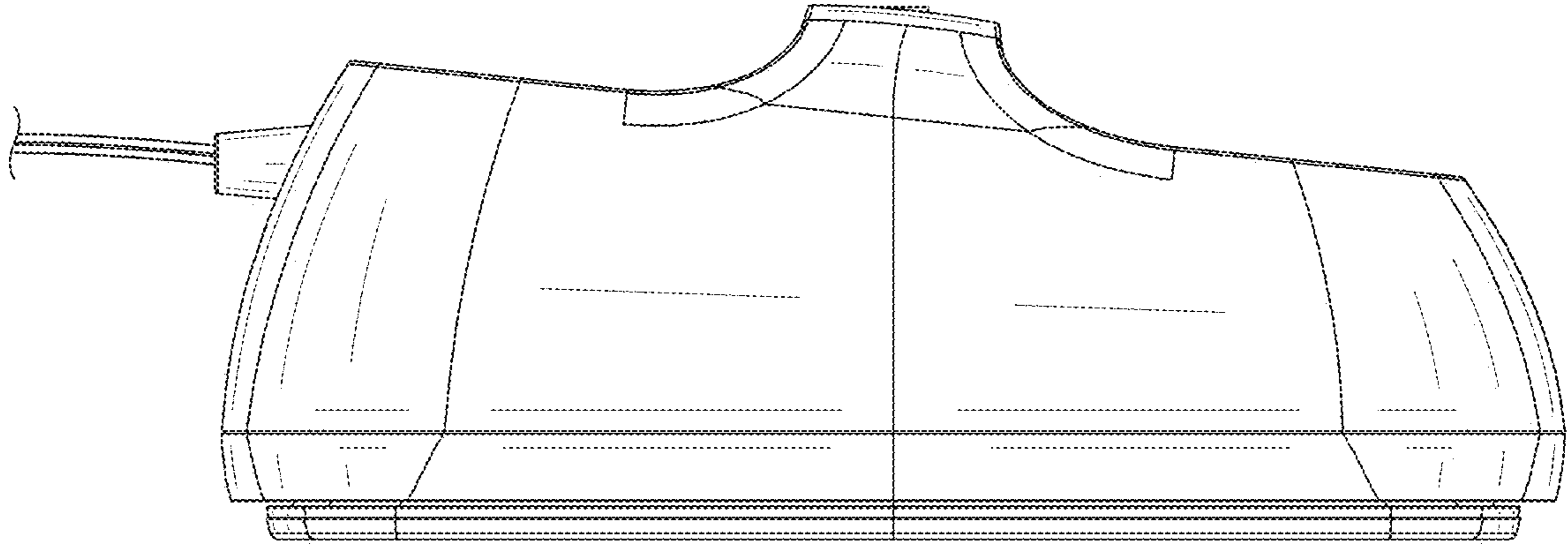


FIG. 5

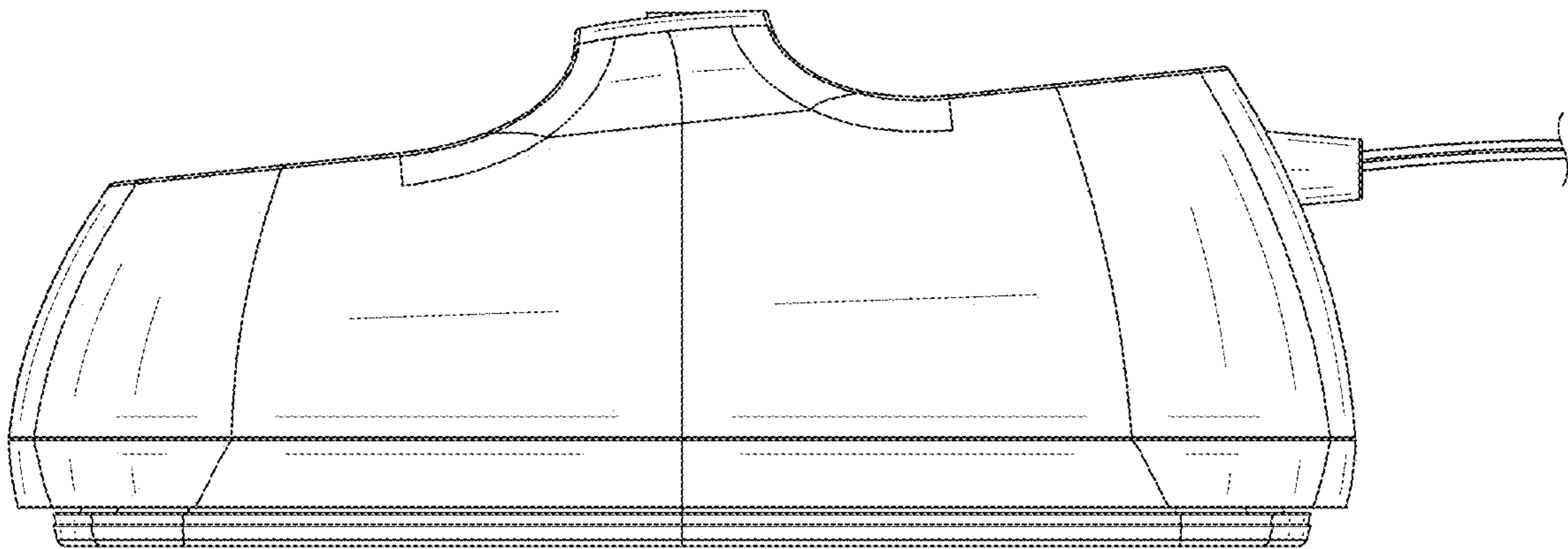


FIG. 6

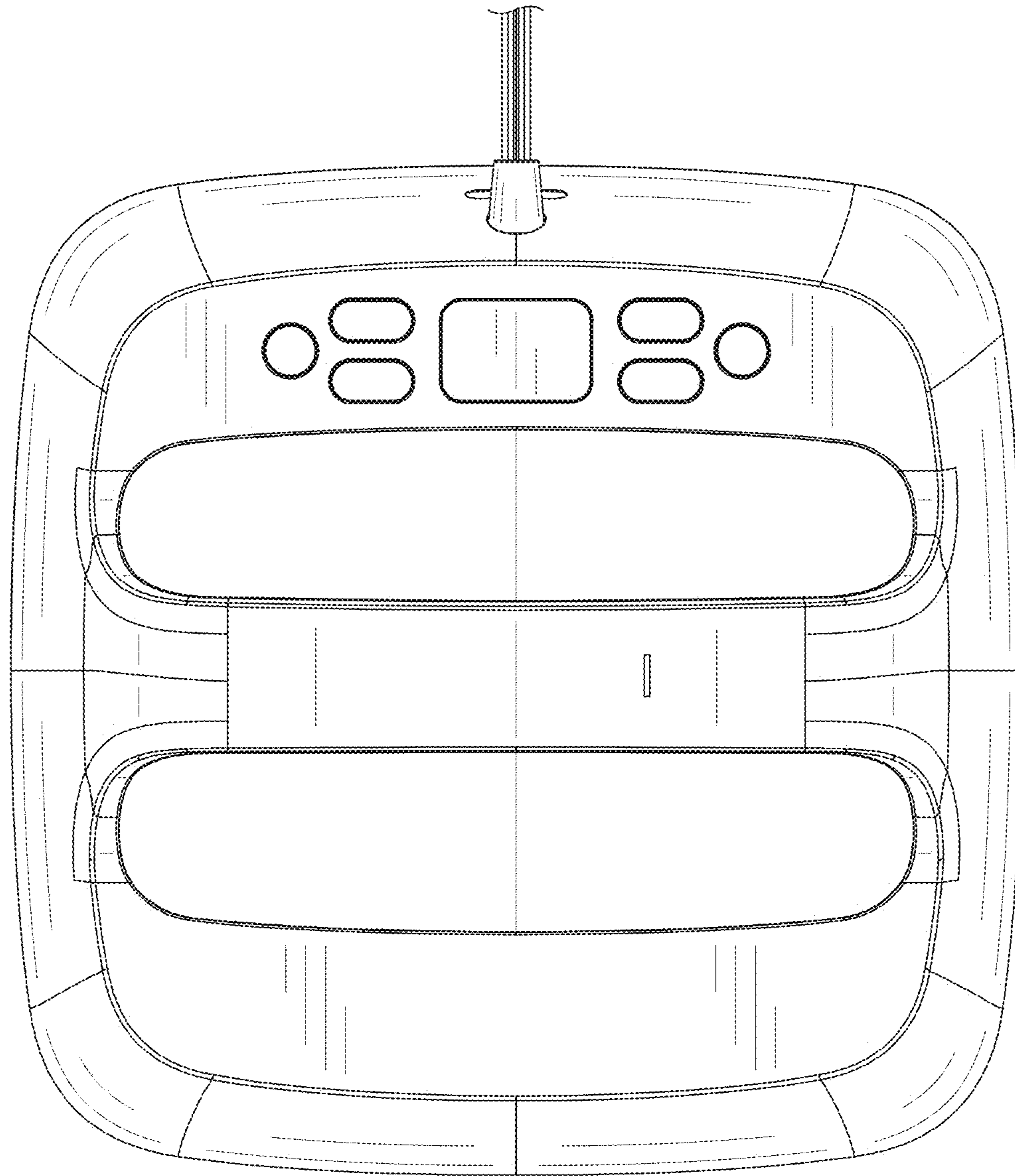


FIG. 7

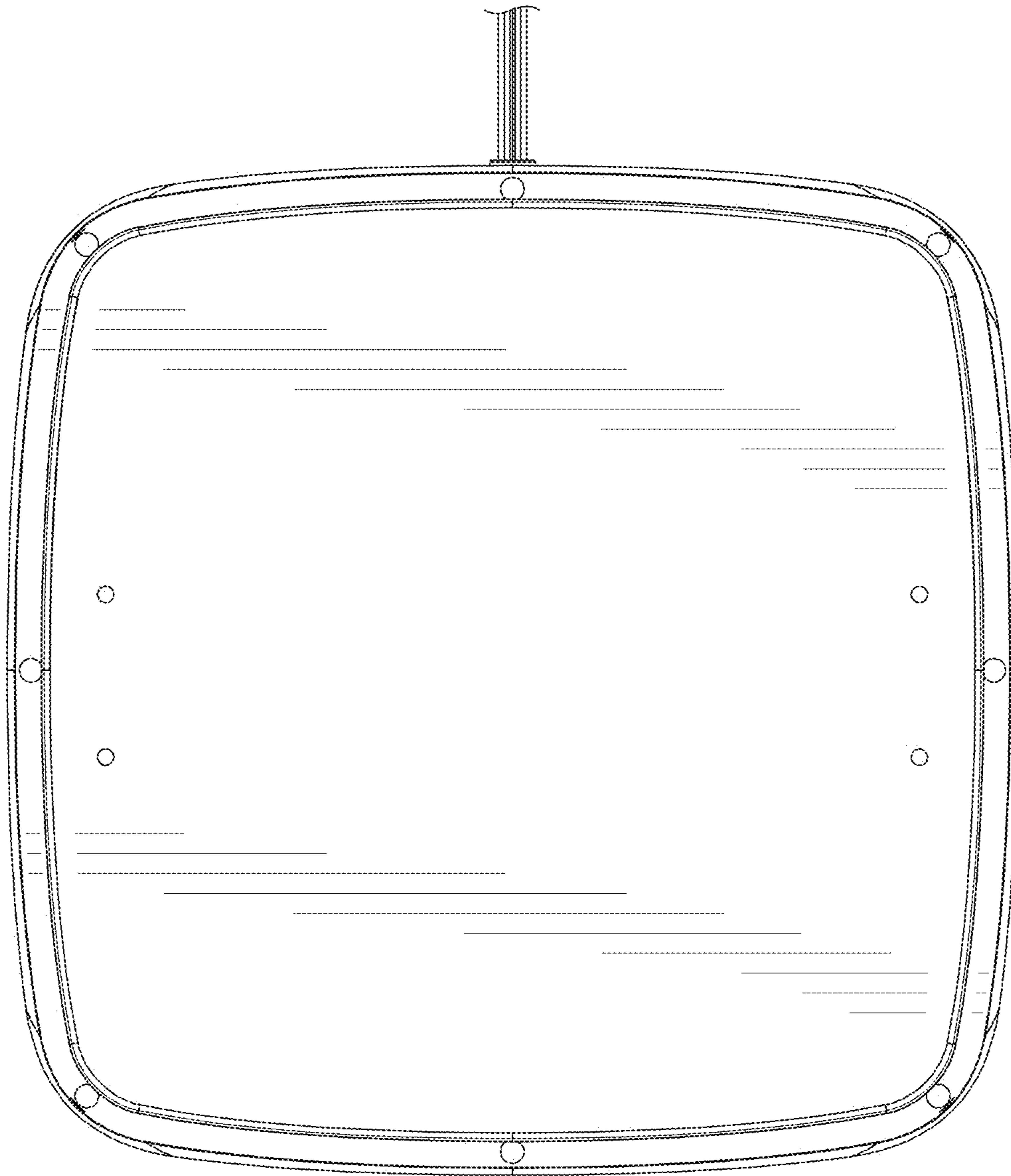


FIG. 8