



US00D893562S

(12) **United States Design Patent**
Suchman et al.

(10) **Patent No.:** **US D893,562 S**

(45) **Date of Patent:** **** Aug. 18, 2020**

- (54) **DEBRIS CONTAINER**
- (71) Applicant: **iRobot Corporation**, Bedford, MA (US)
- (72) Inventors: **Jason Jeffrey Suchman**, Arlington, MA (US); **Douglas Dell’Accio**, Boston, MA (US); **Andrew Vincent Wolff**, Norfolk, MA (US); **Flavia Pastore**, Wakefield, MA (US)

- 3,327,937 A * 6/1967 Casady A47L 9/14
232/43.2
 - 3,908,523 A * 9/1975 Shikaya B65D 3/22
493/111
 - D250,784 S * 1/1979 Dieter 472/116
 - 4,180,190 A * 12/1979 Flaum B68G 7/06
223/43
 - 4,268,567 A * 5/1981 Harmony B29C 63/06
150/901
 - D269,106 S * 5/1983 Brown D21/819
- (Continued)

- (73) Assignee: **iRobot Corporation**, Bedford, MA (US)

OTHER PUBLICATIONS

[No Author Listed] “Bosch Part#462544—Genuine Type G MEGA filt SuperTex Vacuum Bag (BBZ51AFG2U)—Fits Bosch Compact Series and Formula Series Vacuums—5/Package,” Dec. 29, 2011, retrieved on May 10, 2018, retrieved from URL <<https://www.amazon.com/Bosch-Part-462544-MEGAfilt-BBZ51AFG2U/dp/B000UM2ENE/>>, 8 pages.

(Continued)

- (**) Term: **15 Years**

Primary Examiner — Patricia A Palasik

- (21) Appl. No.: **29/646,584**

(74) *Attorney, Agent, or Firm* — Fish & Richardson P.C.

- (22) Filed: **May 4, 2018**

- (51) **LOC (12) Cl.** **15-09**

- (52) **U.S. Cl.**
USPC **D15/122**

- (58) **Field of Classification Search**
USPC D15/122, 132, 138, 199; D32/31, 35
CPC A01G 20/43; B08B 15/002; E01H 1/0836
See application file for complete search history.

(57) **CLAIM**

The ornamental design for a debris container, substantially as shown and described.

- (56) **References Cited**

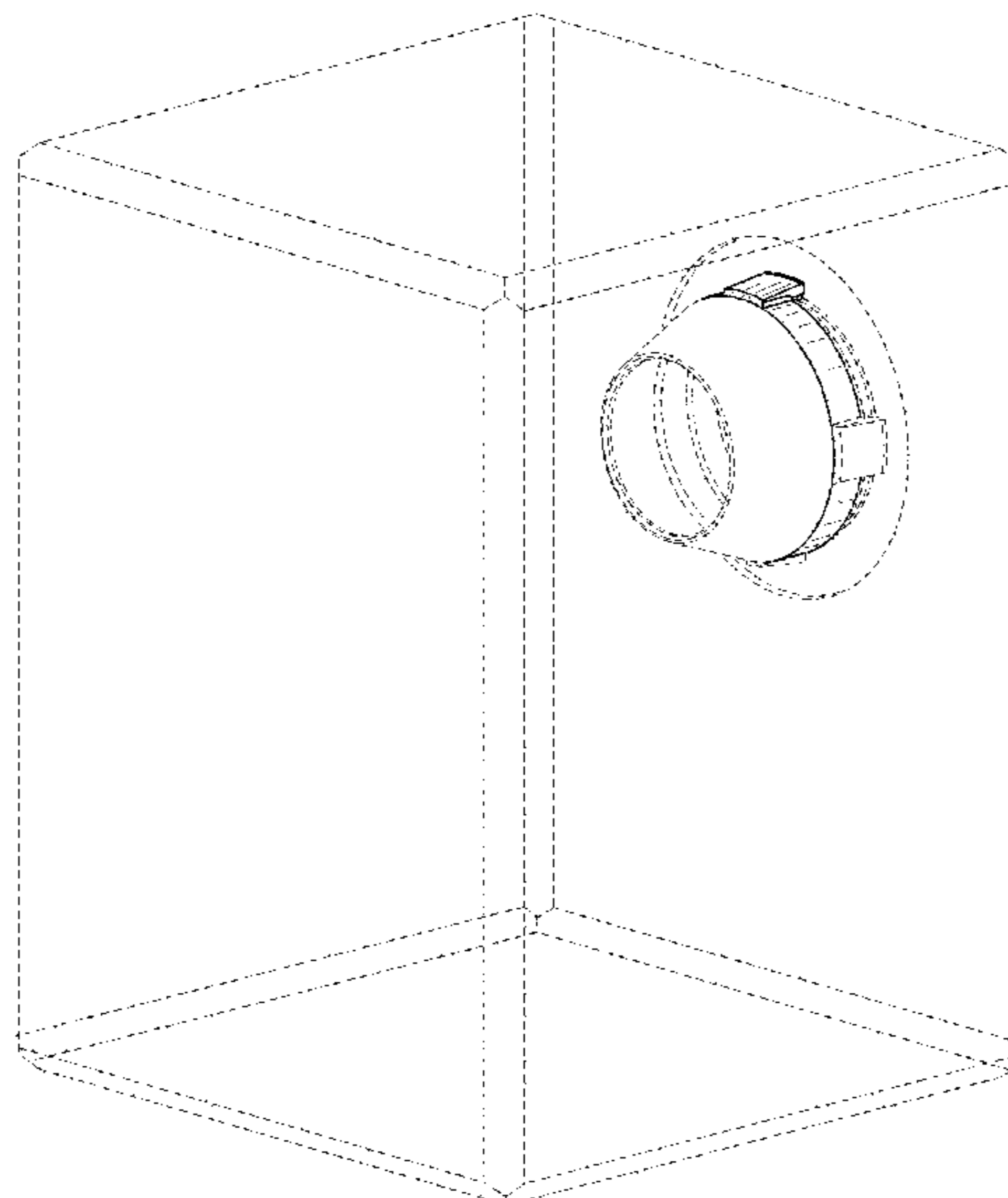
U.S. PATENT DOCUMENTS

- 1,827,496 A * 10/1931 Vanderwilt A47L 9/149
55/366
- D94,196 S * 1/1935 Frantz D32/30
- 2,161,935 A * 6/1939 Roberts A47G 23/0241
215/12.1
- 2,426,475 A * 8/1947 Frank F25D 7/00
62/316
- 2,464,069 A * 3/1949 Benson B65D 23/104
206/466
- 2,831,948 A * 4/1958 Fraser H02B 1/048
200/295
- 3,082,900 A * 3/1963 Goodman B65D 1/265
220/592.17

DESCRIPTION

FIG. 1 is a perspective view of the debris container.
FIG. 2 is a front view thereof.
FIG. 3 is a back view thereof.
FIG. 4 is right side view thereof.
FIG. 5 is left side view thereof.
FIG. 6 is top view thereof; and,
FIG. 7 is bottom view thereof.
The broken lines illustrate environmental features that form no part of the claimed design.

1 Claim, 7 Drawing Sheets



(56)

References Cited

U.S. PATENT DOCUMENTS

4,488,883 A * 12/1984 Philp A47L 9/127
55/311
D288,373 S * 2/1987 Alanis D32/31
5,180,162 A * 1/1993 Browne A63B 57/357
473/176
D344,317 S * 2/1994 Petersheim D21/821
5,581,842 A * 12/1996 Seith A47L 9/1427
15/347
5,688,298 A * 11/1997 Bosses A47L 9/1454
15/350
5,690,711 A * 11/1997 Bosses B01D 46/02
55/380
6,076,226 A 6/2000 Reed
6,158,612 A * 12/2000 Alpert A47G 23/0216
220/662
6,389,329 B1 5/2002 Colens
6,409,608 B1 * 6/2002 Garske A63B 57/357
473/175
6,748,297 B2 6/2004 Song et al.
7,031,805 B2 4/2006 Lee et al.
7,055,210 B2 6/2006 Keppler et al.
D524,497 S * 7/2006 Bruneau D32/31
D532,071 S * 11/2006 VanDeusen D21/814
D536,091 S * 1/2007 Biener D24/110.1
D576,365 S * 9/2008 Wishney D32/32
D577,117 S * 9/2008 Biener D24/110.1
D580,849 S * 11/2008 Burger D13/102
D584,787 S * 1/2009 Brittingham D22/108
D585,518 S * 1/2009 Brittingham D22/108
D596,465 S * 7/2009 Faulkner D7/607
D597,264 S * 7/2009 Hsieh D30/108
7,615,109 B2 * 11/2009 Sepke A47L 7/04
55/376
D605,734 S * 12/2009 Henry D23/262
D608,865 S * 1/2010 Henry D23/262
D611,126 S * 3/2010 Porter D23/262
D613,854 S * 4/2010 Young B01D 46/02
55/380
D614,269 S * 4/2010 Henry A47L 7/04
D23/262
D616,072 S * 5/2010 Henry A47L 9/1454
D23/262
D645,561 S * 9/2011 Herrmann B68G 7/06
223/43

8,092,562 B2 1/2012 Sauer et al.
8,167,165 B1 * 5/2012 Peterson A47L 9/14
232/43.2
D661,902 S * 6/2012 Italiano D23/263
8,528,157 B2 9/2013 Schnittman et al.
D692,160 S * 10/2013 Judson D24/216
D714,461 S * 9/2014 Judson D24/216
D728,752 S * 5/2015 Browning D23/263
9,027,199 B2 5/2015 Jung et al.
D762,422 S * 8/2016 Coplin D23/262
9,462,920 B1 10/2016 Morin et al.
2002/0104845 A1 * 8/2002 Beuke B65D 81/3876
220/739
2002/0179617 A1 * 12/2002 Barthlow A47G 23/0216
220/739
2003/0182908 A1 * 10/2003 Zimet A47L 9/1427
55/374
2005/0150519 A1 7/2005 Keppler et al.
2006/0278087 A1 * 12/2006 Sepke A47L 7/04
96/223
2007/0074367 A1 * 4/2007 Bosses A47L 9/1427
15/352
2007/0113528 A1 * 5/2007 Knuth A47L 9/1427
55/472
2007/0138188 A1 * 6/2007 Mace B31D 5/0086
220/739
2007/0226949 A1 10/2007 Hahm et al.
2008/0201895 A1 8/2008 Kim et al.
2008/0235897 A1 10/2008 Kim et al.
2009/0049640 A1 2/2009 Lee et al.
2010/0252190 A1 * 10/2010 Iagulli A47L 9/1427
15/347
2011/0126377 A1 * 6/2011 Bosses A47L 9/127
55/311
2012/0011677 A1 1/2012 Jung et al.
2012/0304415 A1 * 12/2012 Bosses A47L 9/1472
D23/262
2013/0298350 A1 11/2013 Schnittman et al.
2016/0166126 A1 6/2016 Morin et al.
2016/0183752 A1 6/2016 Morin et al.

OTHER PUBLICATIONS

[No Author Listed] "Staubaugerbeutel Von Kobold," retrieved on May 10, 2018, retrieved from URL <<https://kobold.vorwerk.de/staubsaugerbeutel/>>, 49 pages (English Translation).

* cited by examiner

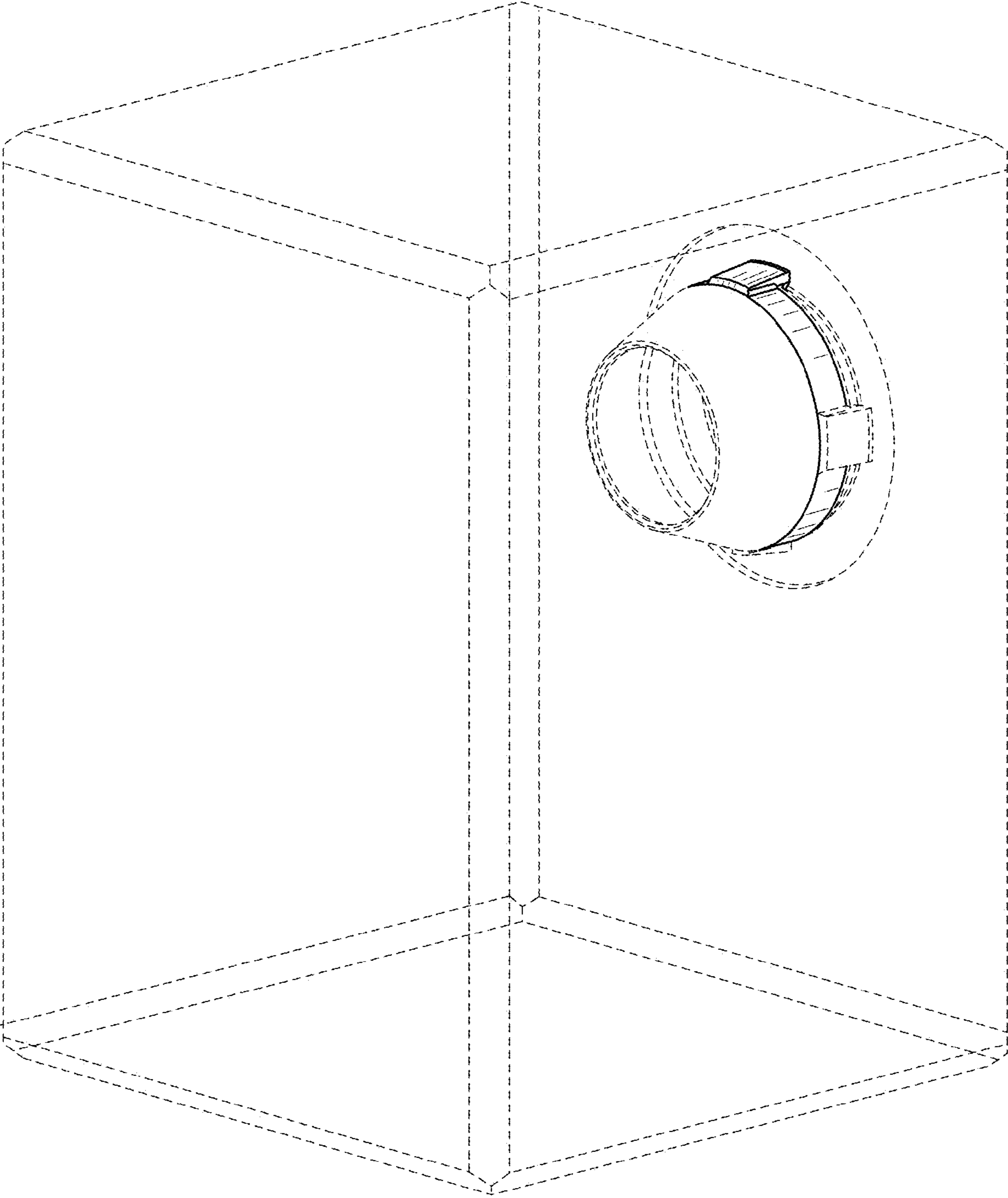


FIG. 1

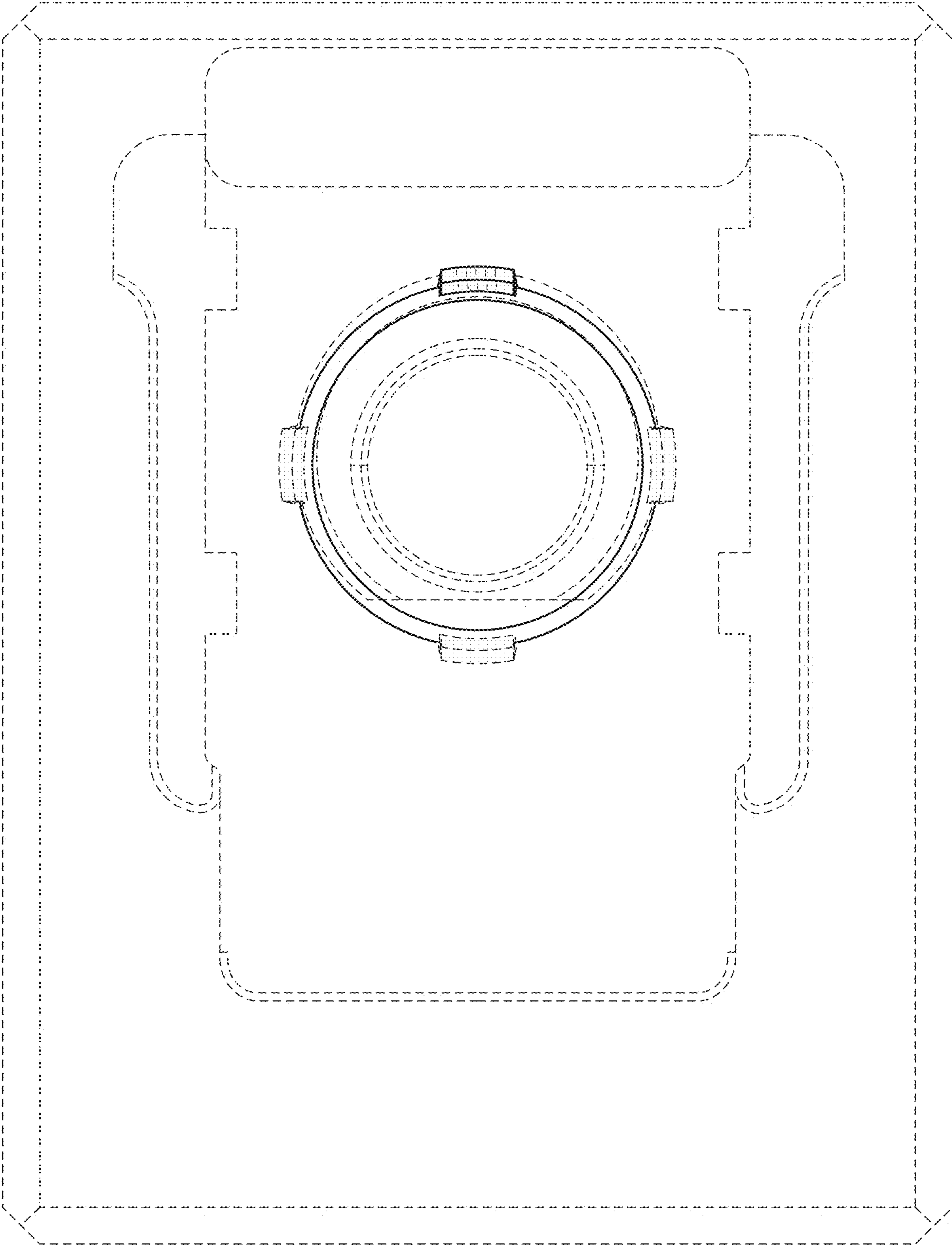


FIG. 2

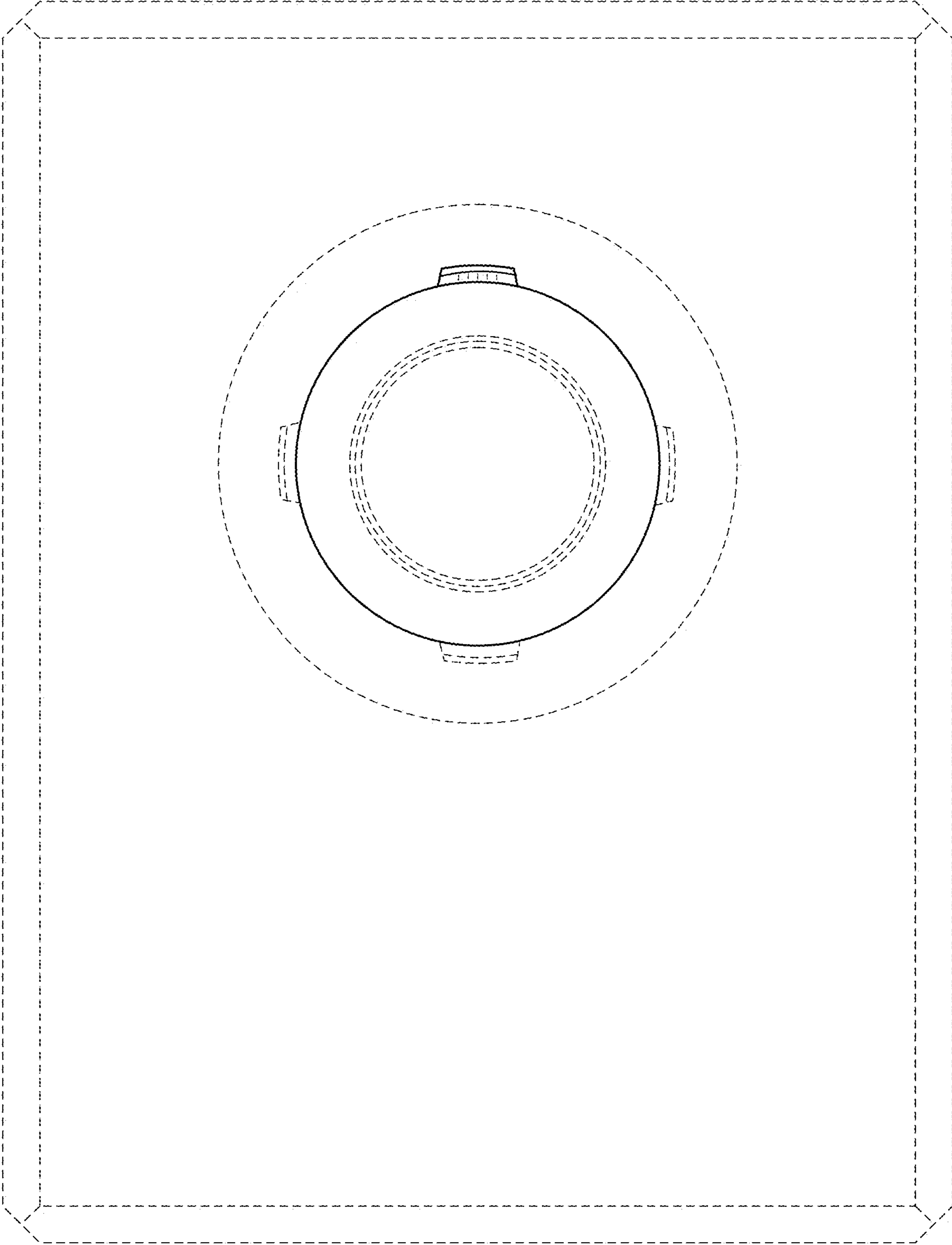


FIG. 3

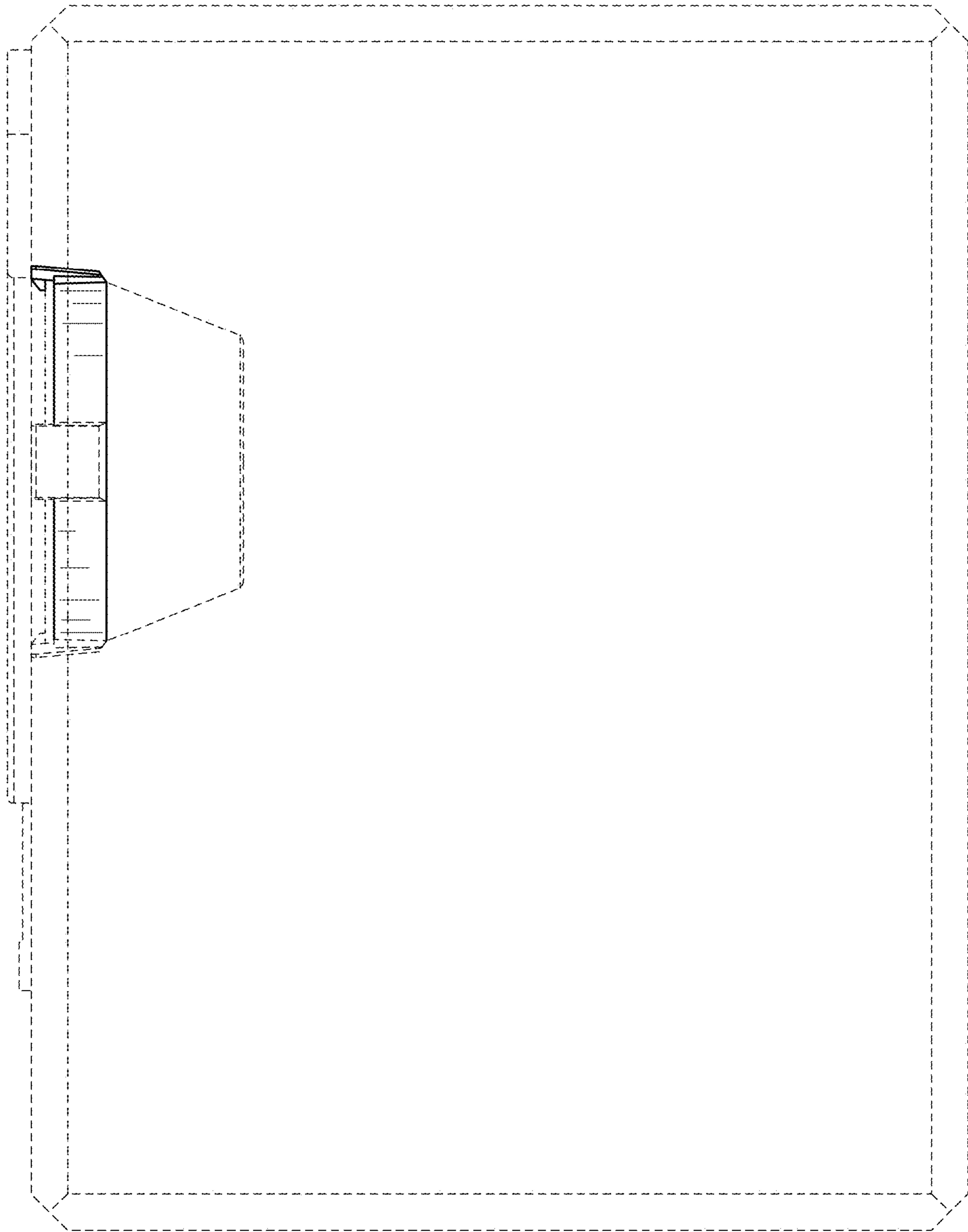


FIG. 4

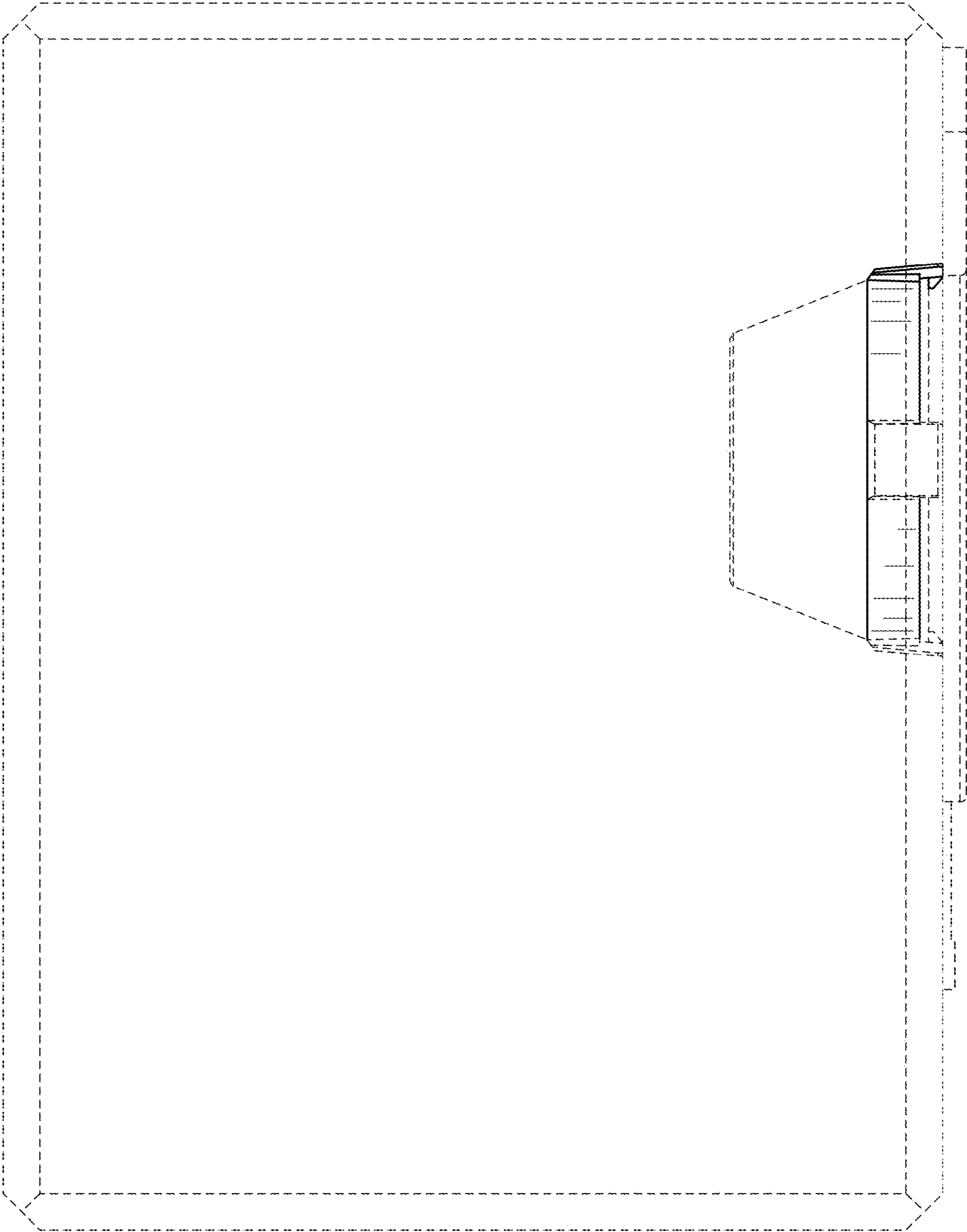


FIG. 5

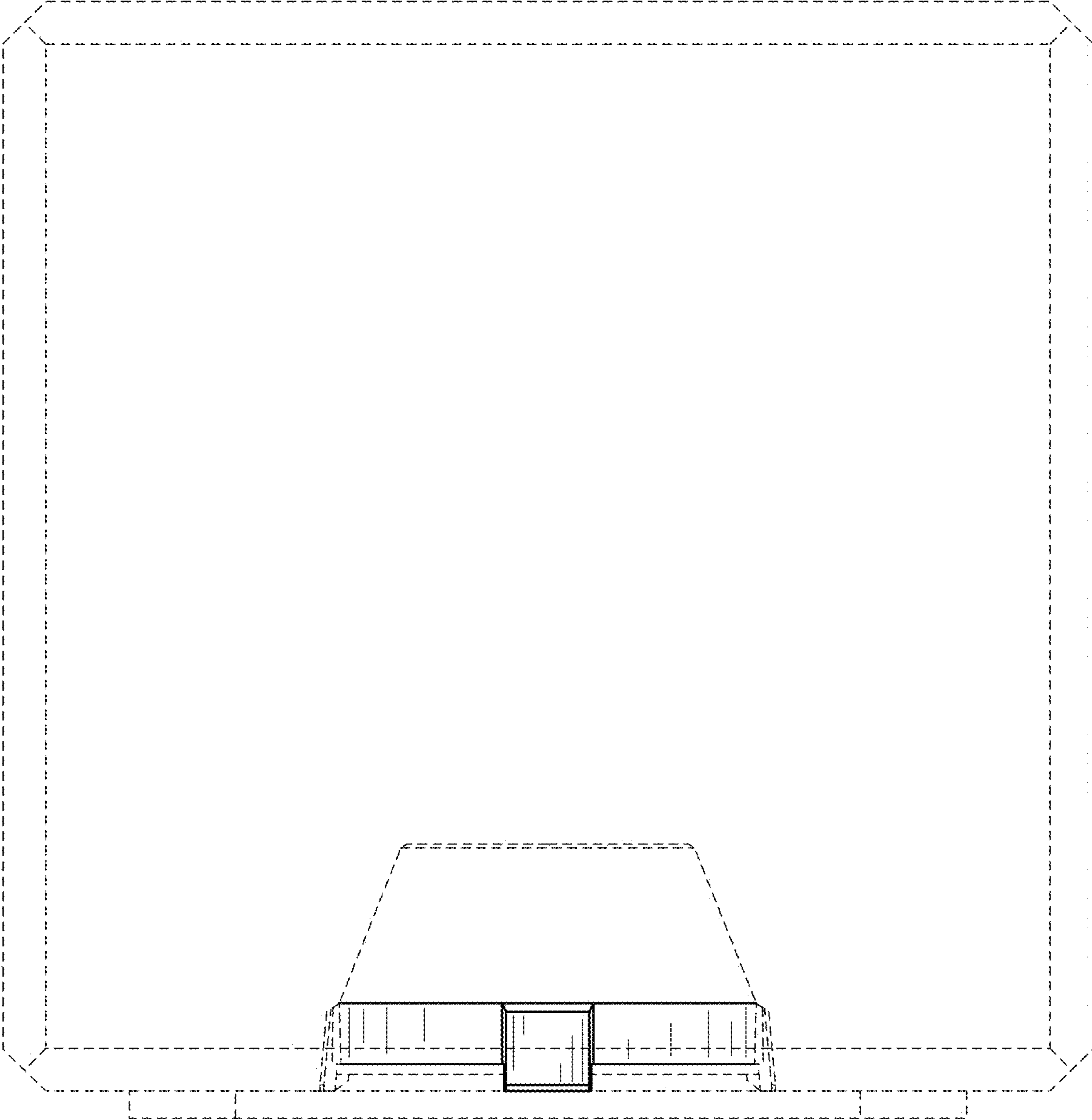


FIG. 6

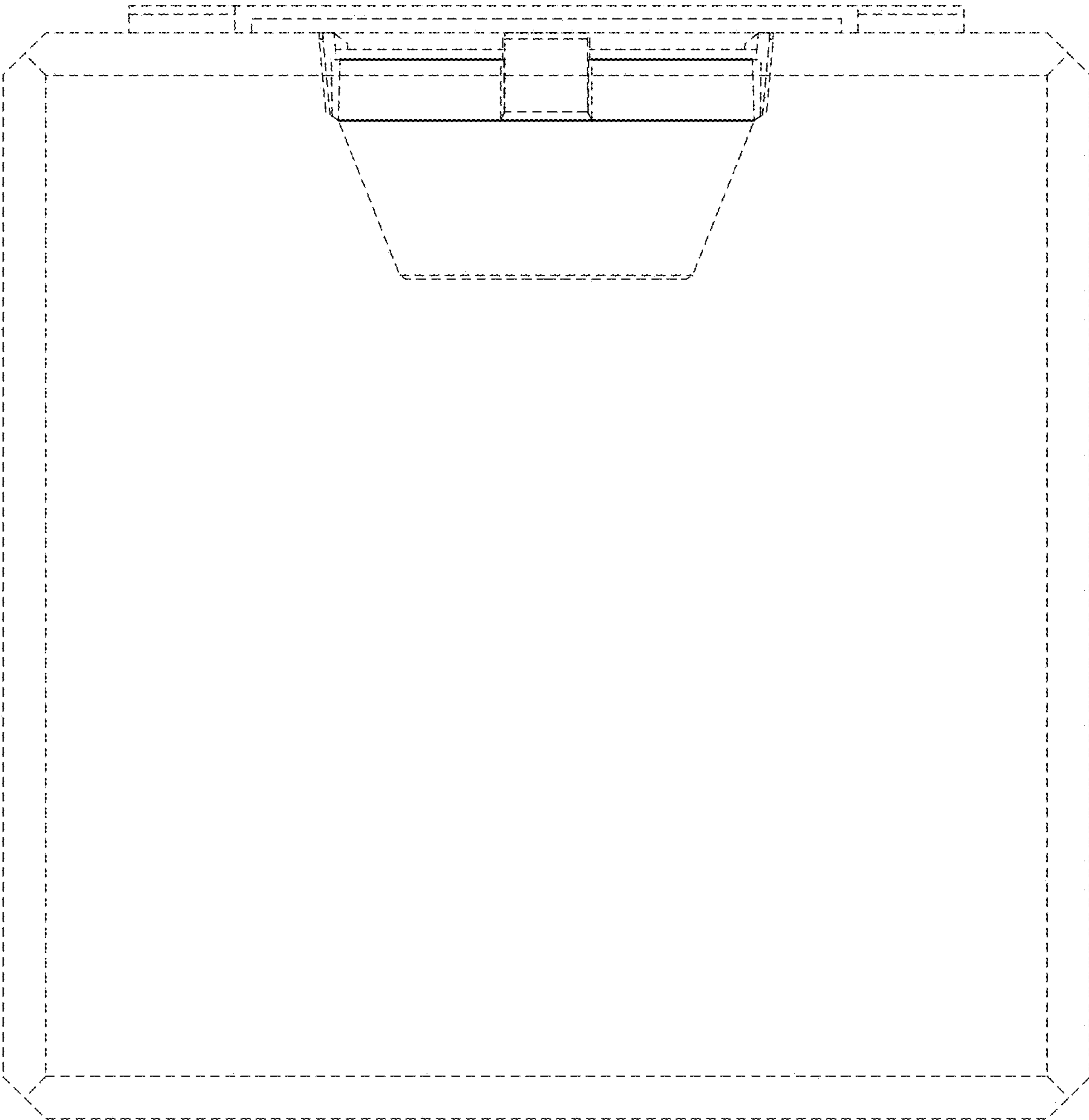


FIG. 7