



US00D893561S

(12) **United States Design Patent** (10) **Patent No.:** **US D893,561 S**
Suchman et al. (45) **Date of Patent:** **** Aug. 18, 2020**

(54) **DEBRIS CONTAINER** 7,615,109 B2 * 11/2009 Sepke A47L 7/04
55/376
(71) Applicant: **iRobot Corporation**, Bedford, MA 8,092,562 B2 1/2012 Sauer et al.
(US) 8,528,157 B2 9/2013 Schnittman et al.
9,027,199 B2 5/2015 Jung et al.
9,462,920 B1 10/2016 Morin et al.
(72) Inventors: **Jason Jeffrey Suchman**, Arlington, MA 2003/0182908 A1 * 10/2003 Zimet A47L 9/1427
(US); **Douglas Dell'Accio**, Boston, MA 55/374
(US); **Andrew Vincent Wolff**, Norfolk, 2005/0072475 A1 * 4/2005 Seo F16K 15/144
MA (US); **Flavia Pastore**, Wakefield, 137/512.15
MA (US) 2005/0150519 A1 7/2005 Keppler et al.
(Continued)

(73) Assignee: **iRobot Corporation**, Bedford, MA
(US)

(**) Term: **15 Years**

(21) Appl. No.: **29/646,579**

(22) Filed: **May 4, 2018**

(51) **LOC (12) Cl.** **15-09**

(52) **U.S. Cl.**
USPC **D15/122**

(58) **Field of Classification Search**
USPC D15/122, 132, 138, 199; D32/31, 35
CPC A01G 20/43; B08B 15/002; E01H 1/0836
See application file for complete search history.

(56) **References Cited**

U.S. PATENT DOCUMENTS

3,327,937 A * 6/1967 Casady A47L 9/14
232/43.2
5,688,298 A * 11/1997 Bosses A47L 9/1454
15/350
5,690,711 A * 11/1997 Bosses B01D 46/02
55/380
6,076,226 A 6/2000 Reed
6,389,329 B1 5/2002 Colens
6,748,297 B2 6/2004 Song et al.
7,031,805 B2 4/2006 Lee et al.
7,055,210 B2 6/2006 Keppler et al.
D524,497 S 7/2006 Bruneau

OTHER PUBLICATIONS

[No Author Listed] "Bosch Part#462544—Genuine Type G MEGA
filt SuperTex Vacuum Bag (BBZ51AFG2U)—Fits Bosch Compact
Series and Formula Series Vacuums—5/Package," Dec. 29, 2011,
retrieved on May 10, 2018, retrieved from URL <[https://www
amazon.com/Bosch-Part-462544-MEGAfilt-BBZ51AFG2U/dp/
B000UM2ENE/](https://www.amazon.com/Bosch-Part-462544-MEGAfilt-BBZ51AFG2U/dp/B000UM2ENE/)>, 8 pages.

(Continued)

Primary Examiner — Patricia A Palasik

(74) *Attorney, Agent, or Firm* — Fish & Richardson P.C.

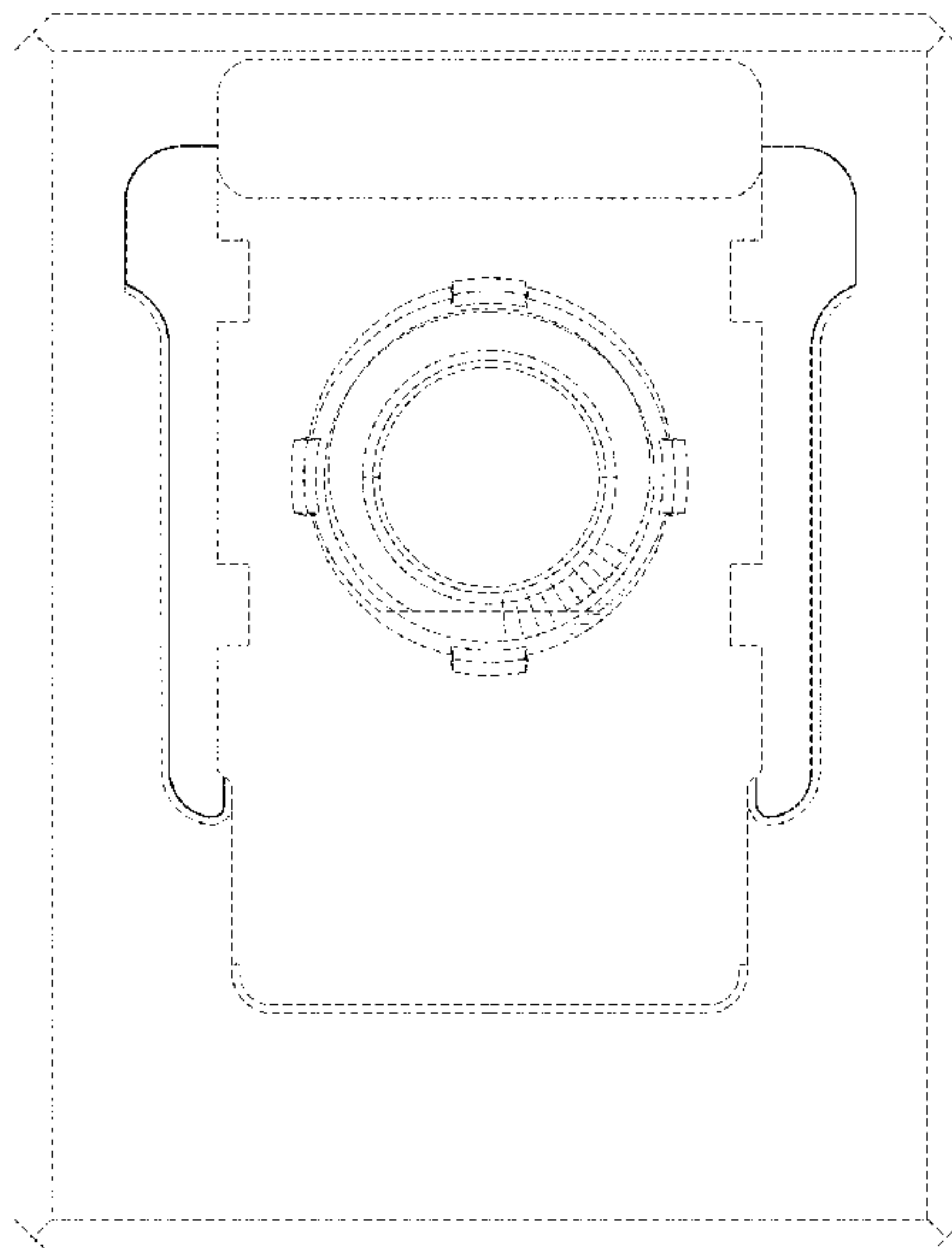
(57) **CLAIM**

The ornamental design for a debris container, substantially
as shown and described.

DESCRIPTION

FIG. 1 is a perspective view of the debris container.
FIG. 2 is a front view thereof.
FIG. 3 is a back view thereof.
FIG. 4 is right side view thereof.
FIG. 5 is left side view thereof.
FIG. 6 is top view thereof; and,
FIG. 7 is bottom view thereof.
The broken lines illustrate environmental features that form
no part of the claimed design.

1 Claim, 7 Drawing Sheets



(56)

References Cited

U.S. PATENT DOCUMENTS

2006/0278087 A1* 12/2006 Sepke A47L 7/04
96/223
2007/0074367 A1* 4/2007 Bosses A47L 9/1427
15/352
2007/0226949 A1 10/2007 Hahm et al.
2008/0201895 A1 8/2008 Kim et al.
2008/0235897 A1 10/2008 Kim et al.
2009/0049640 A1 2/2009 Lee et al.
2009/0257688 A1* 10/2009 Calvo B65D 33/2508
383/103
2011/0126377 A1* 6/2011 Bosses A47L 9/1436
15/347
2012/0011677 A1 1/2012 Jung et al.
2012/0304415 A1* 12/2012 Bosses A47L 9/1472
15/347
2013/0298350 A1 11/2013 Schnittman et al.
2016/0166126 A1 6/2016 Morin et al.
2016/0183752 A1 6/2016 Morin et al.

OTHER PUBLICATIONS

[No Author Listed] "Staubaugerbeutel Von Kobold," retrieved on May 10, 2018, retrieved from URL <<https://kobold.vorwerk.de/staubaugerbeutel/>>, 49 pages (English Translation).

* cited by examiner

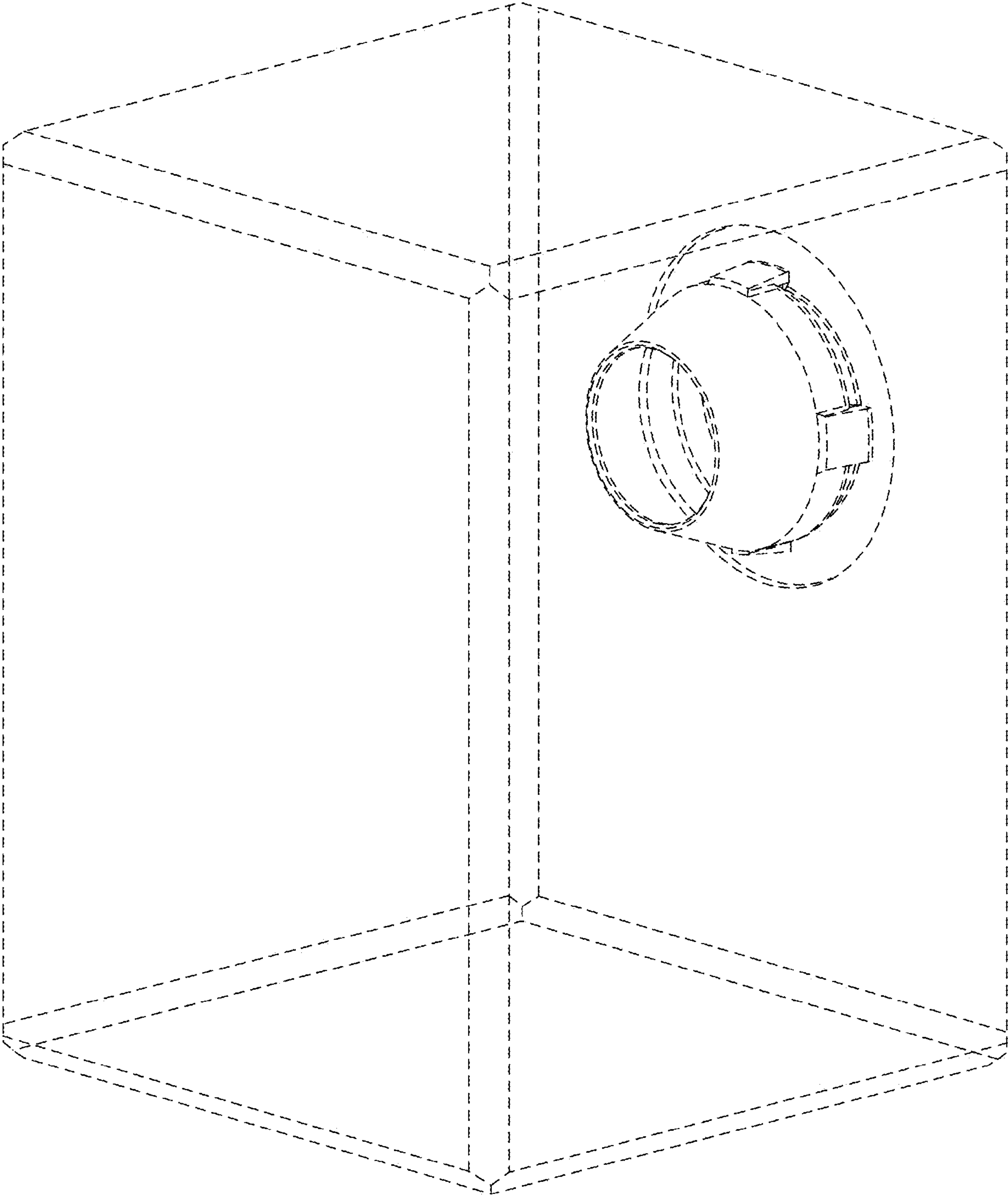


FIG. 1

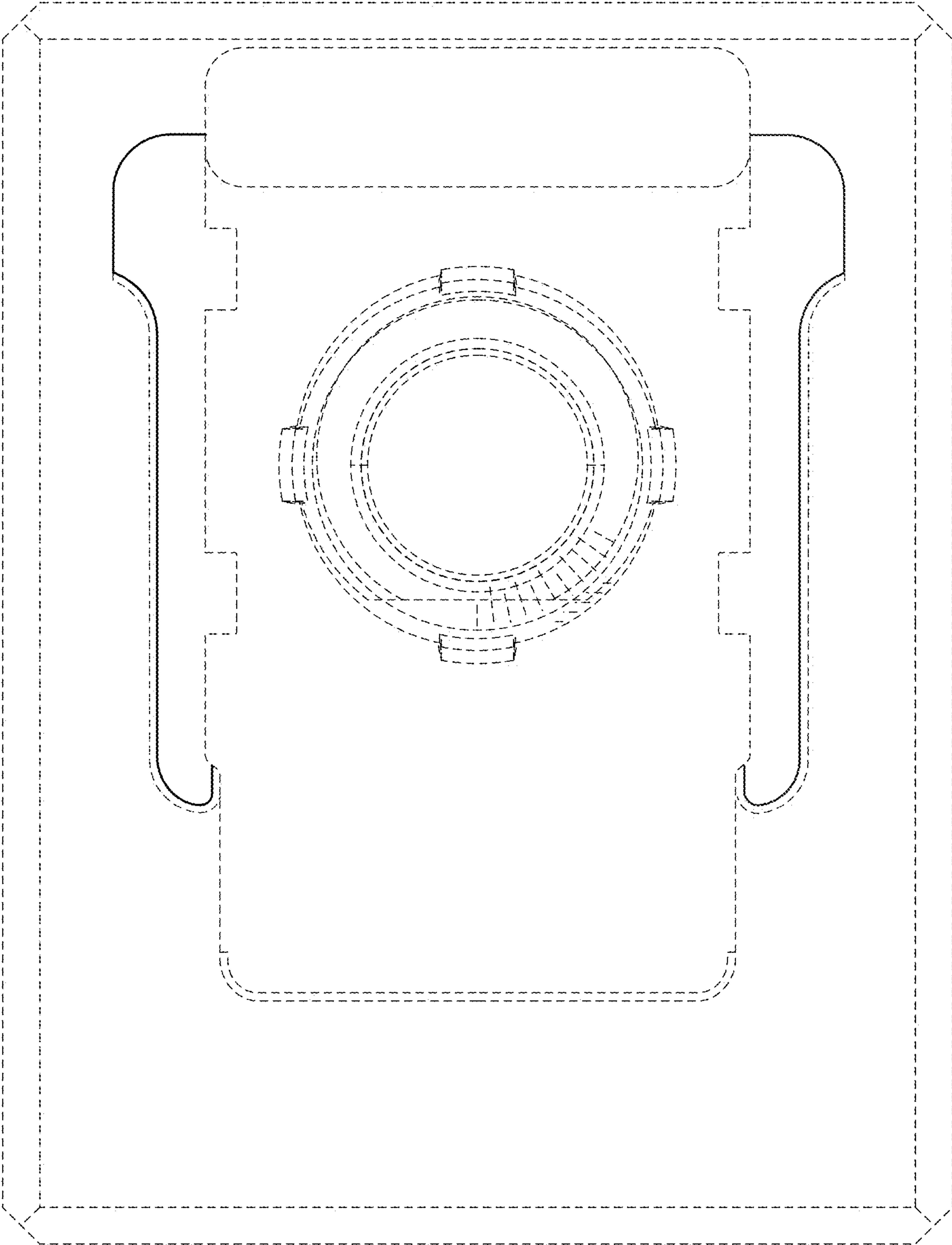


FIG. 2

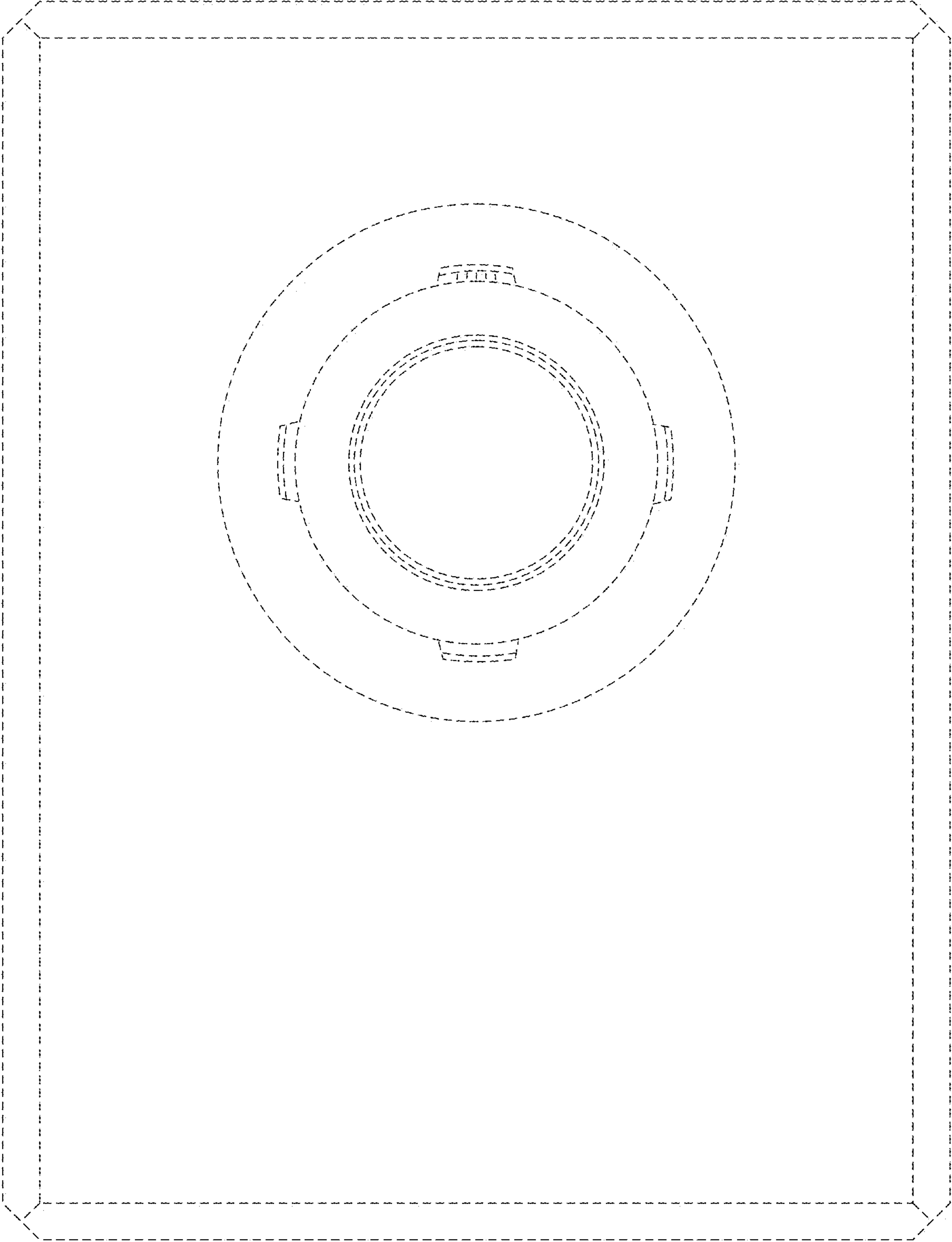


FIG. 3

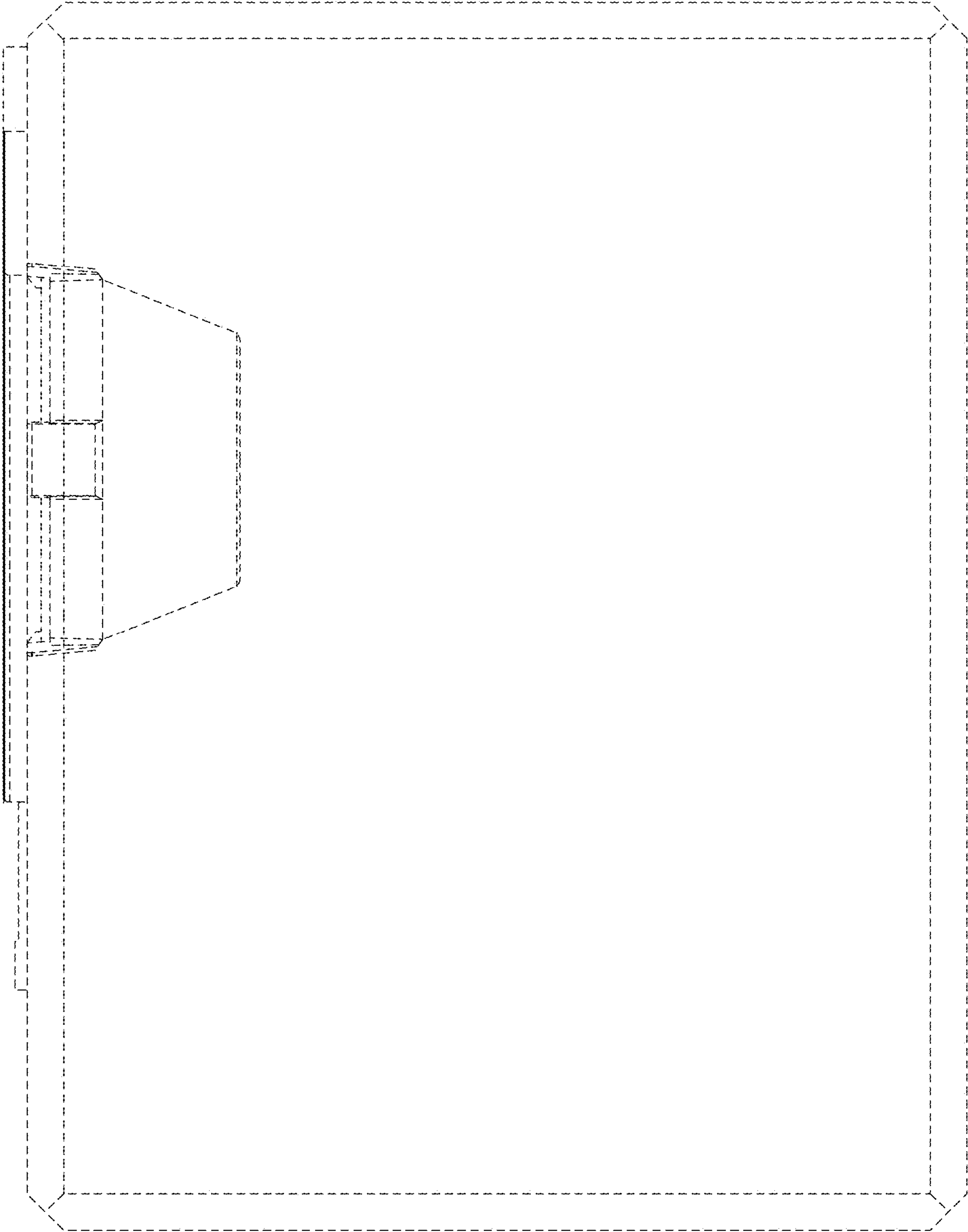


FIG. 4

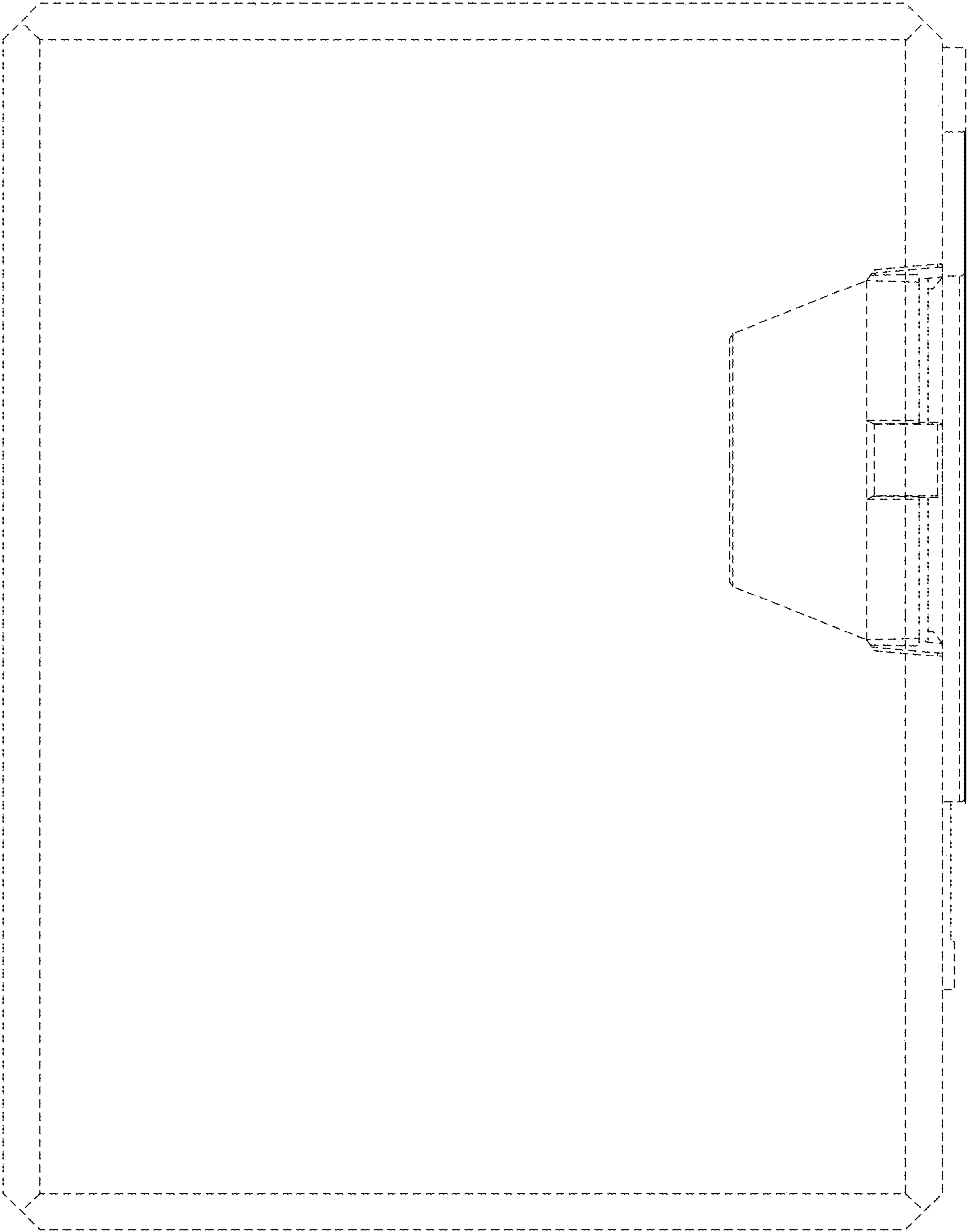


FIG. 5

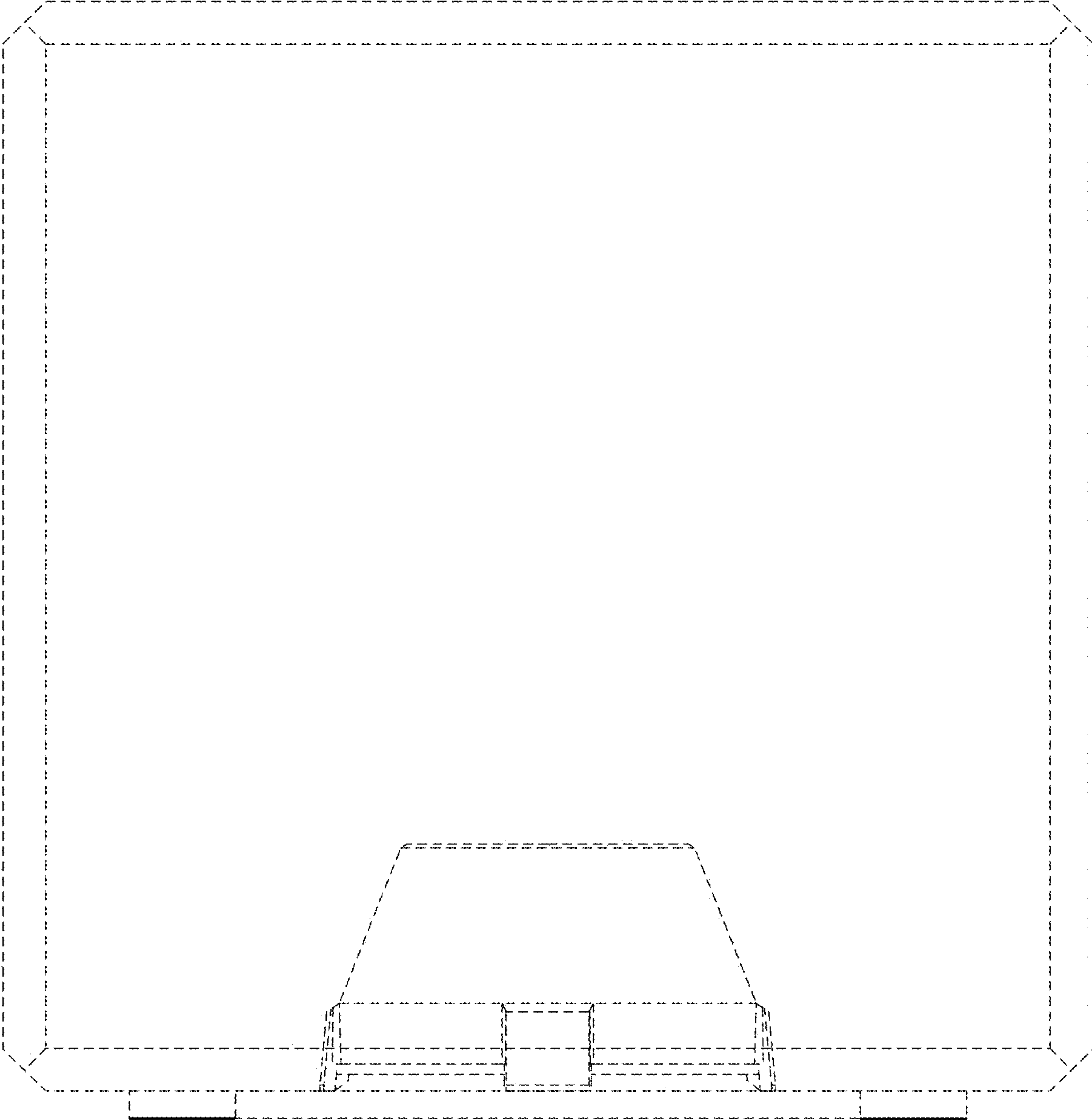


FIG. 6

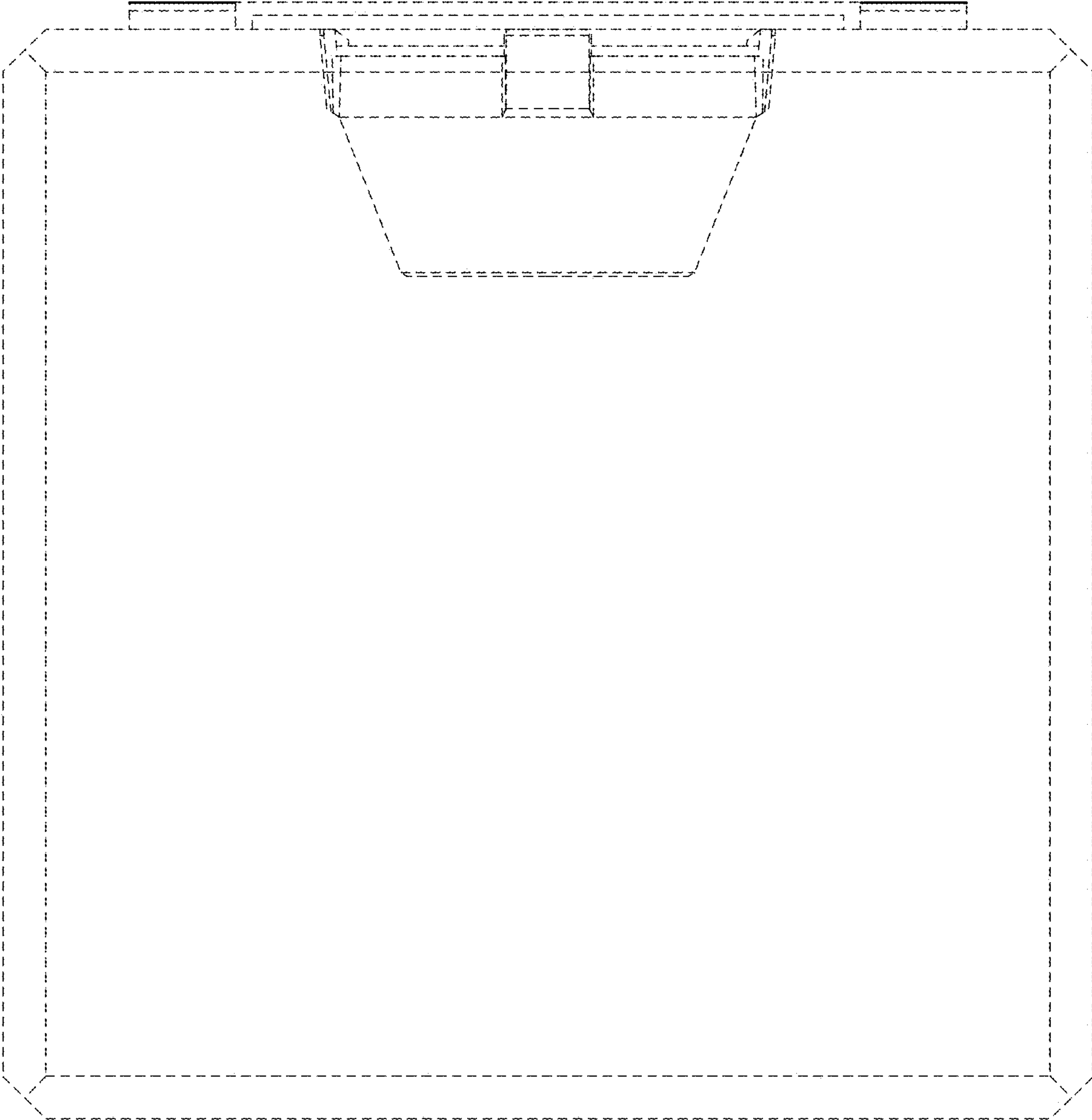


FIG. 7