



US00D893555S

(12) **United States Design Patent**
Giulietti

(10) **Patent No.:** **US D893,555 S**

(45) **Date of Patent:** **** Aug. 18, 2020**

(54) **REFRIGERATED CABINET**

(56) **References Cited**

(71) Applicant: **Industrie Scaffalature
Arredamenti—ISA Societa' per
Azioni, Bastia Umbra (PG) (IT)**

(72) Inventor: **Carlo Giulietti, Tordibetto di Assisi
(IT)**

(73) Assignee: **INDUSTRIE SCAFFALATURE
ARREDAMENTI—ISA SOCIETA'
PER AZIONI, Bastia Umbra (PG) (IT)**

U.S. PATENT DOCUMENTS

4,307,581	A	*	12/1981	Reid	F25D 3/08 62/372
D368,916	S	*	4/1996	Pawlowski	D15/79
D477,335	S	*	7/2003	Upton	D15/79
D491,580	S	*	6/2004	Stoddart	D15/79
D595,748	S	*	7/2009	Kratschmer	D15/81
D819,091	S	*	5/2018	Neill	D15/81
D839,930	S	*	2/2019	Fischbach	D15/79
D841,699	S	*	2/2019	Foyen	D15/79

* cited by examiner

Primary Examiner — Khawaja Anwar

(74) *Attorney, Agent, or Firm* — Egbert, McDaniel & Swartz, PLLC

(**) Term: **15 Years**

(21) Appl. No.: **29/682,722**

(22) Filed: **Mar. 7, 2019**

(51) **LOC (12) Cl.** **15-07**

(52) **U.S. Cl.**
USPC **D15/79**

(58) **Field of Classification Search**
USPC D15/79-91
CPC F02M 37/18; F02M 3/045; F02M 43/00;
F02M 51/04; F02M 51/0614; F02M
53/043; F02M 55/004; F02M 55/008;
F02M 57/021; F02M 57/027; F02M
59/025; F02M 59/10; F02M 5/00; F02M
5/12; F02M 5/14; F02M 61/02; F02M
61/045; F02M 61/14; F02M 61/145;
F02M 61/18; F02M 61/184; F02M
61/1853; F02M 61/20; F02M 65/003;
F02M 69/00; F02M 69/041; F02M
69/043; F02M 69/32; F02M 69/50; F02M
7/10; F02M 7/12; F02M 7/133; F02M
7/17; F02M 9/12; F02M 9/127; F02M
9/14

(57) **CLAIM**

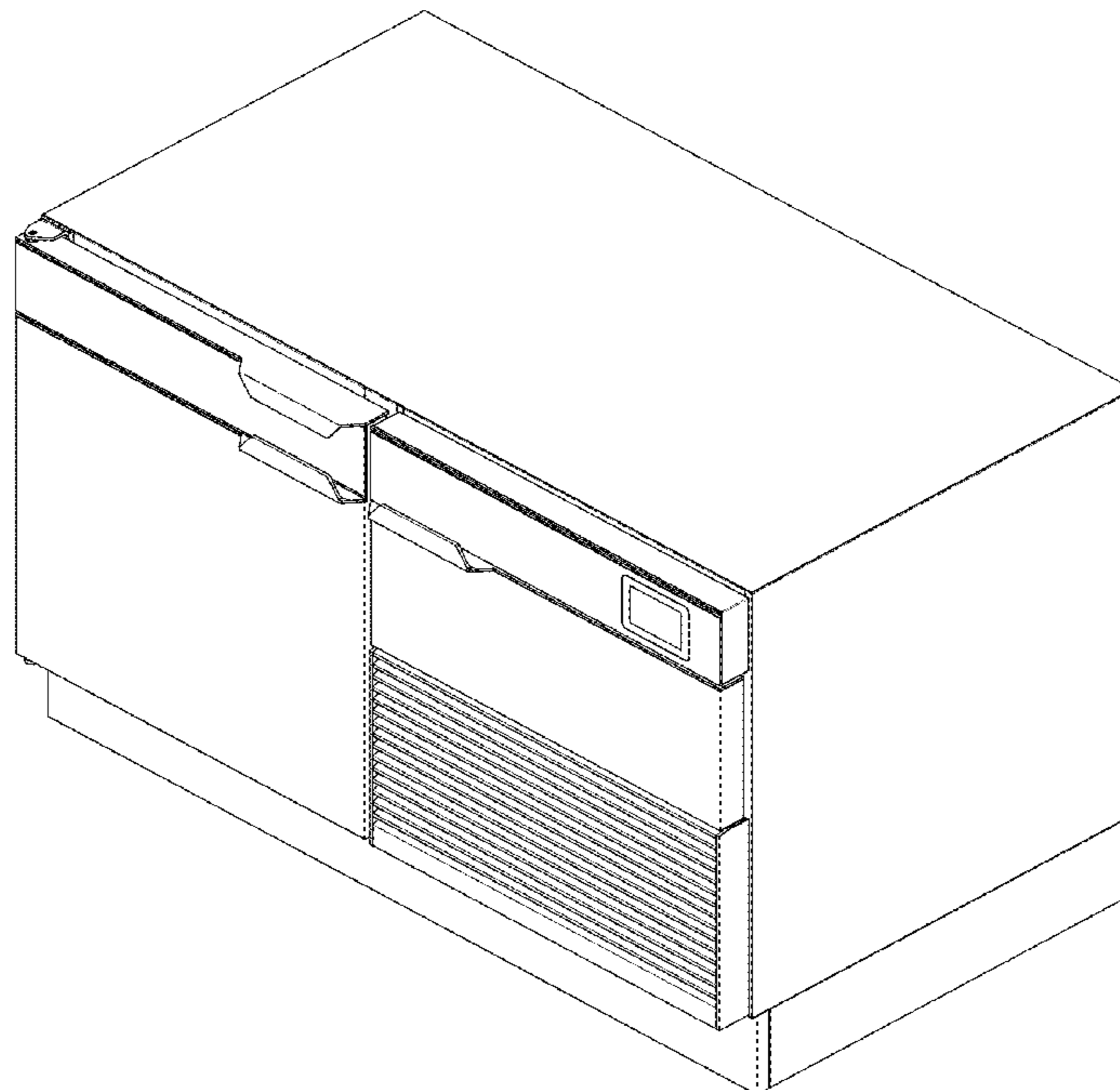
The ornamental design for a refrigerated cabinet, as shown and described.

DESCRIPTION

FIG. 1 is a perspective view of a refrigerated cabinet showing my new design.
FIG. 2 is a front view thereof;
FIG. 3 is a right side view thereof;
FIG. 4 is a left side view thereof;
FIG. 5 is a rear view thereof;
FIG. 6 is a top view thereof; and,
FIG. 7 is a bottom view thereof.

See application file for complete search history.

1 Claim, 7 Drawing Sheets



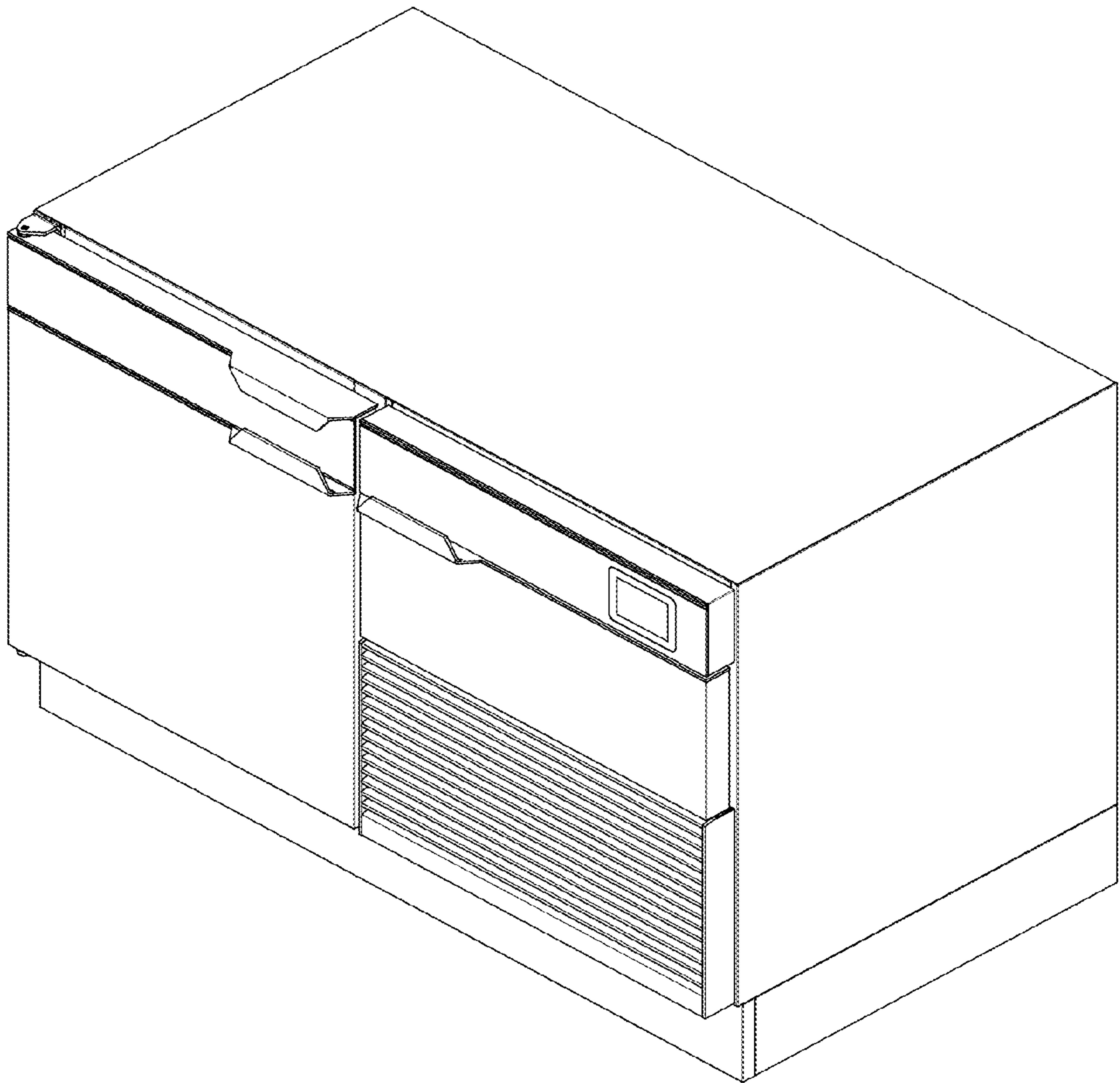


FIG. 1

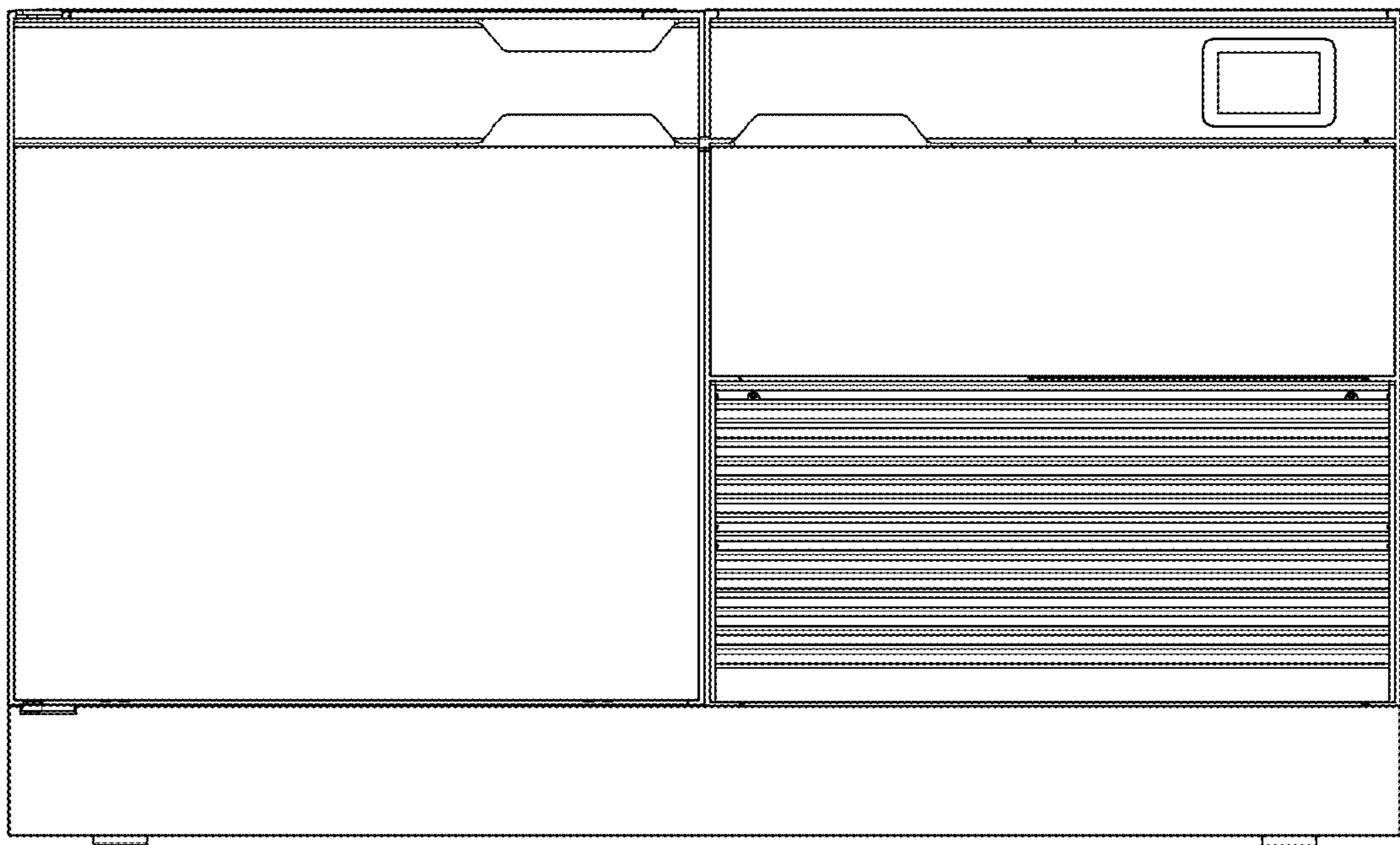


FIG. 2

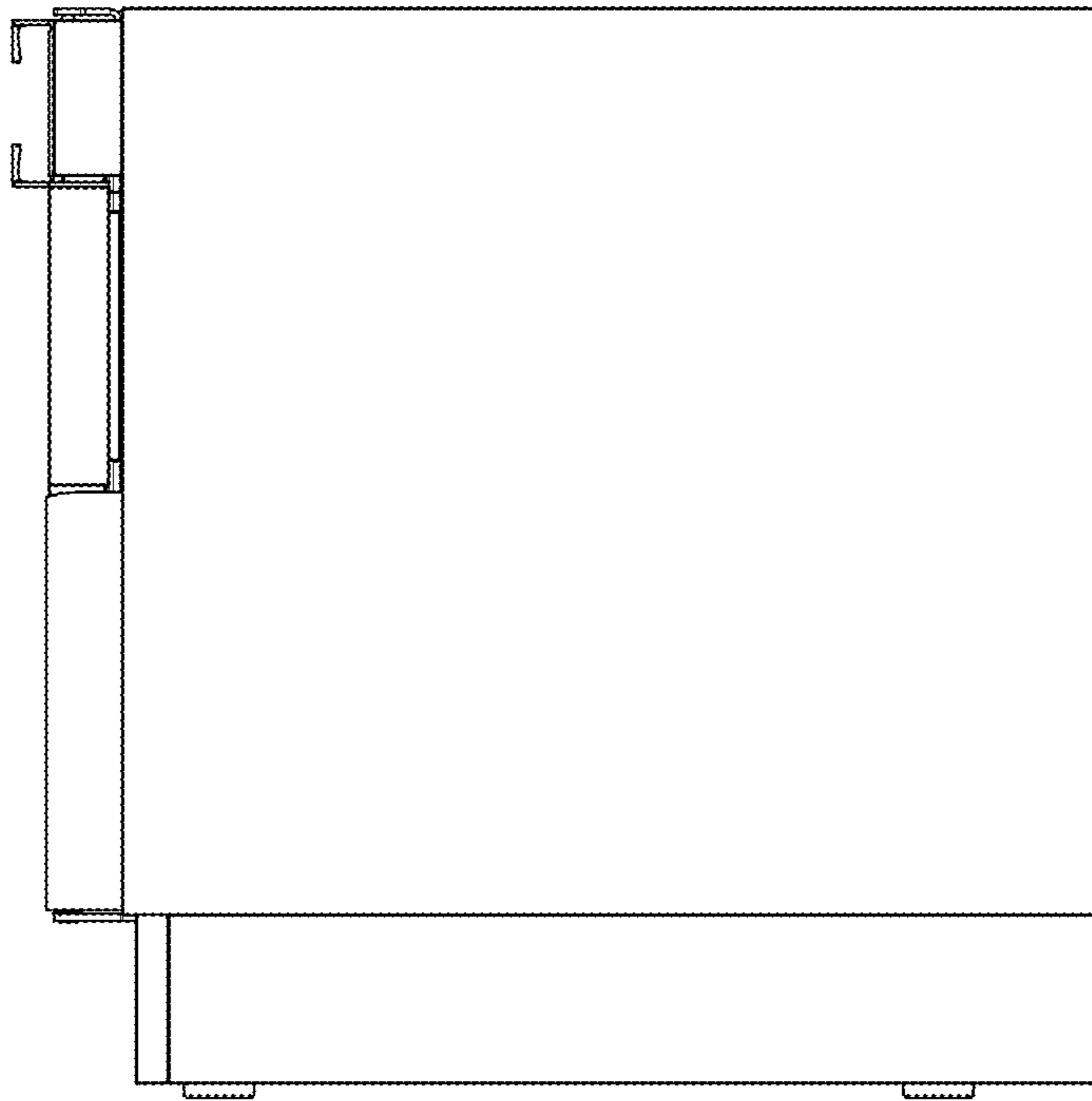


FIG. 3

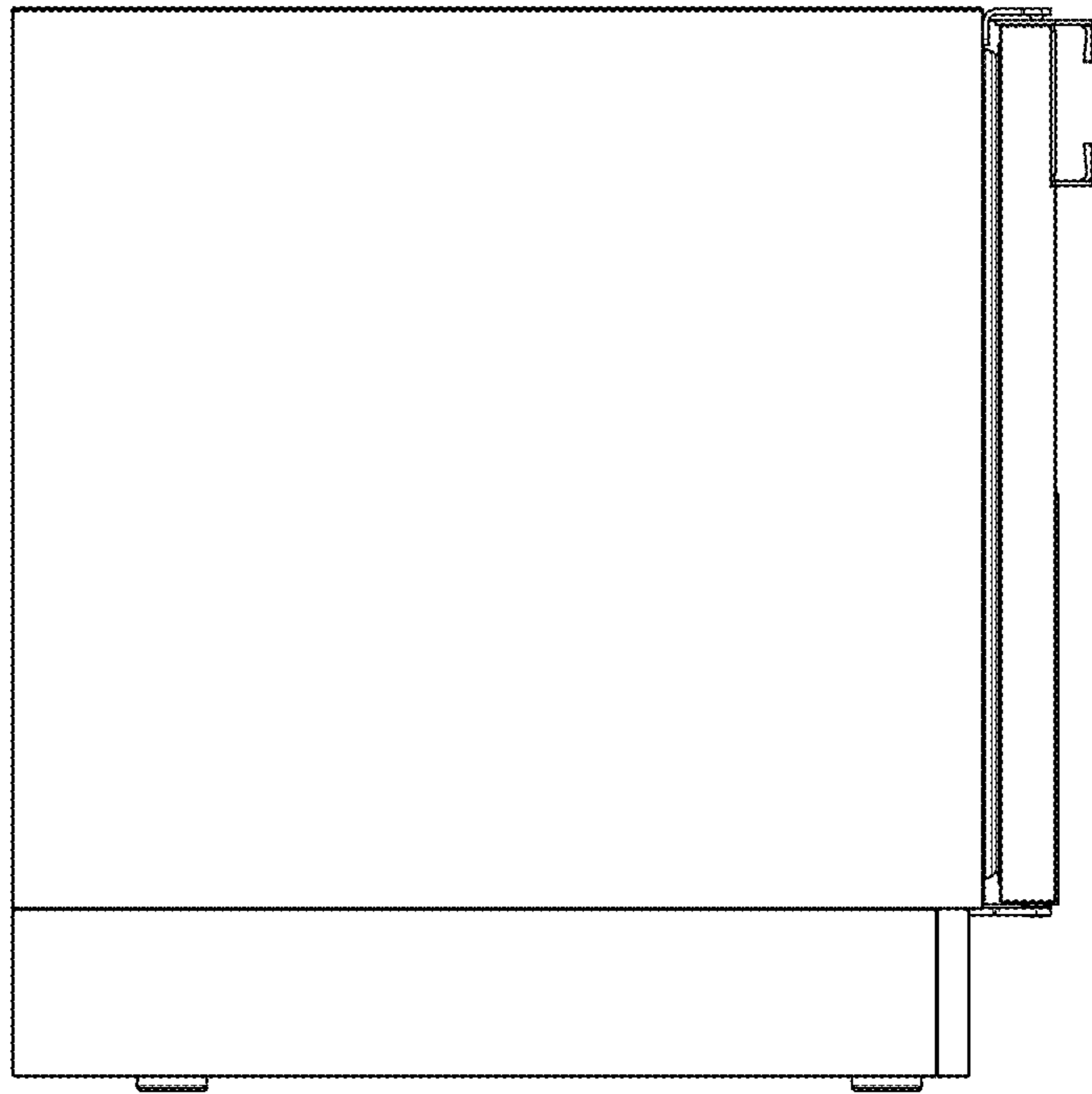


FIG. 4

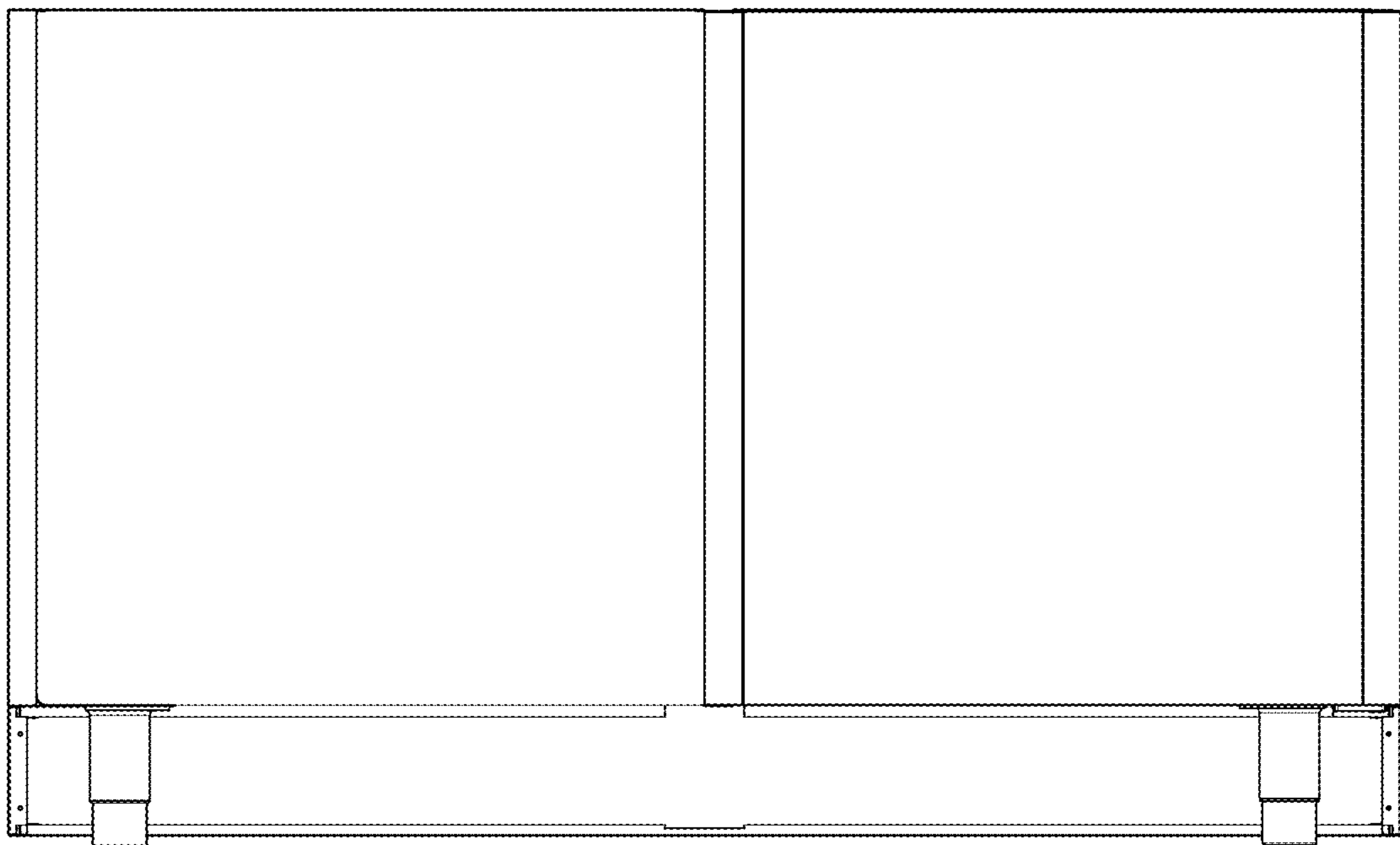


FIG. 5

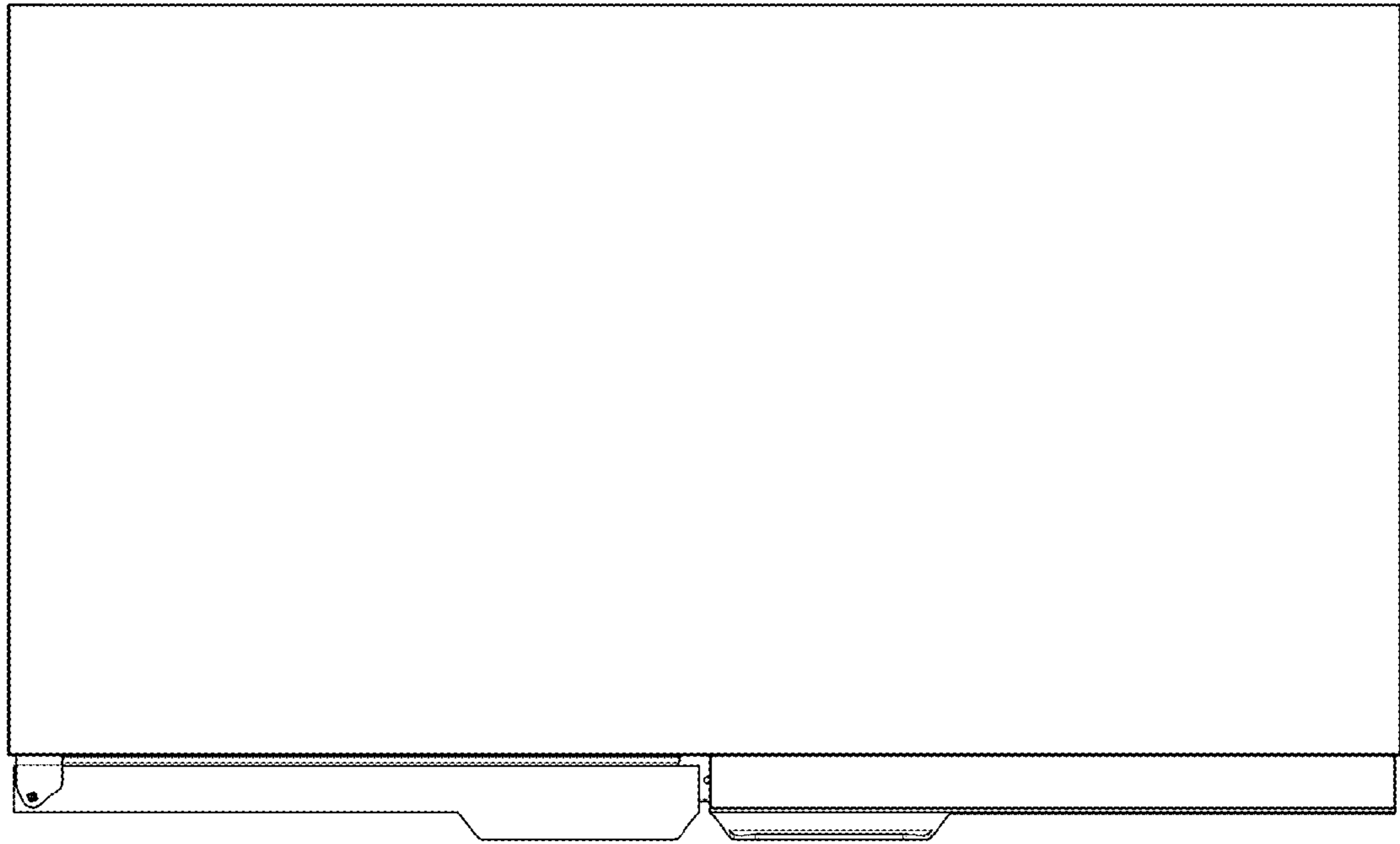


FIG. 6

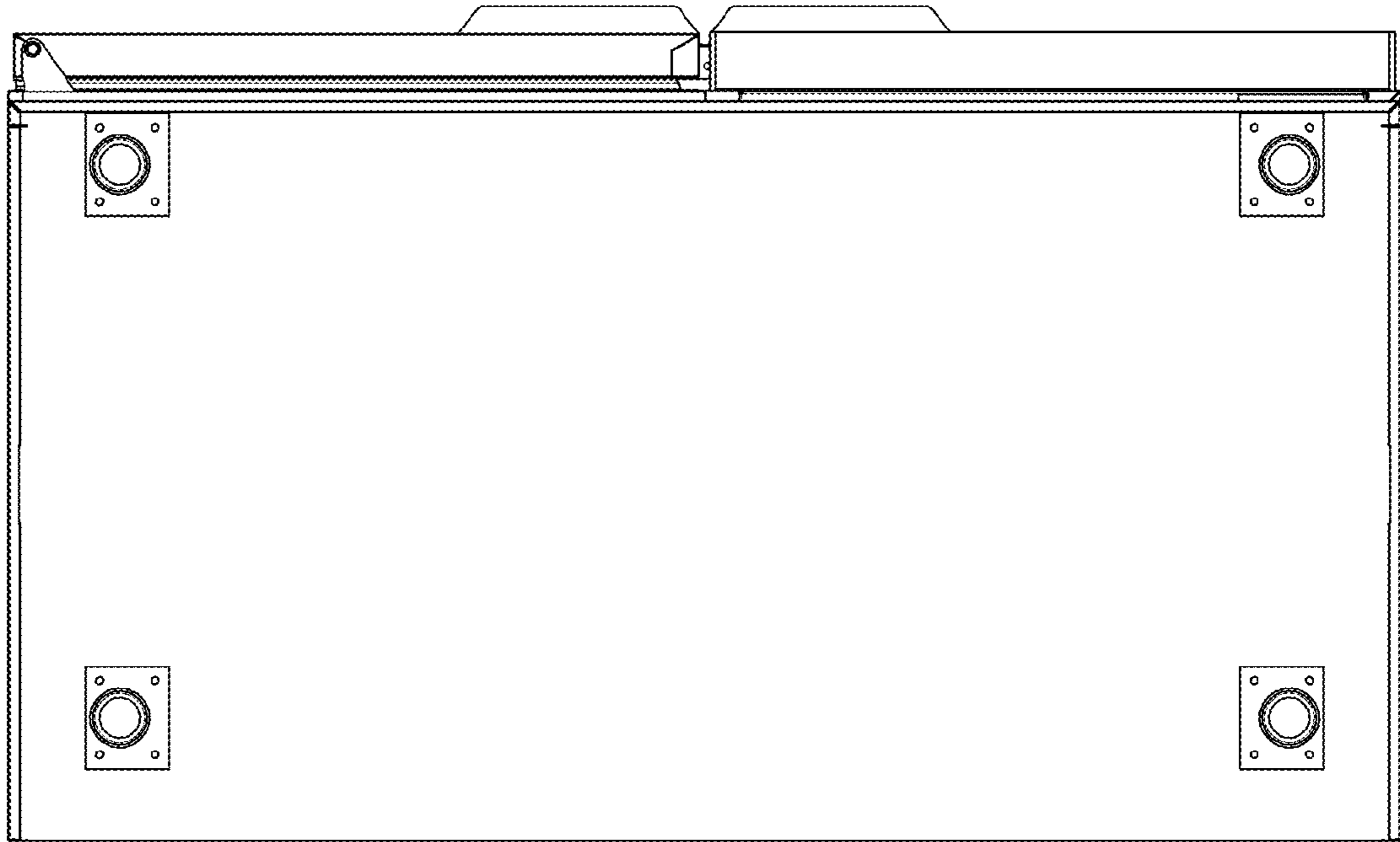


FIG. 7