

US00D893554S

(12) **United States Design Patent**
Lonati et al.

(10) **Patent No.:** **US D893,554 S**

(45) **Date of Patent:** **** Aug. 18, 2020**

- (54) **TEXTILE MACHINE**
- (71) Applicant: **SANTONI S.P.A.**, Brescia (IT)
- (72) Inventors: **Ettore Lonati**, Botticino (IT); **Fausto Lonati**, Brescia (IT); **Andrea Lonati**, Brescia (IT)
- (73) Assignee: **SANTONI S.P.A.**, Brescia (IT)
- (**) Term: **15 Years**
- (21) Appl. No.: **29/648,674**
- (22) Filed: **May 23, 2018**
- (30) **Foreign Application Priority Data**
Nov. 23, 2017 (EM) 004520302
- (51) **LOC (12) Cl.** **15-06**
- (52) **U.S. Cl.**
USPC **D15/66**
- (58) **Field of Classification Search**
USPC D15/66-78
CPC .. D04B 13/00; D04B 13/02; D04B 9/00-9/58
See application file for complete search history.

- 4,539,825 A * 9/1985 Colosio D04B 15/68
66/145 R
- D311,745 S * 10/1990 Wieland D15/66
- 5,761,931 A * 6/1998 Lonati D04B 9/56
66/148
- 6,101,848 A * 8/2000 Wang D04B 15/78
116/216
- 6,223,564 B1 * 5/2001 Lonati D04B 9/56
66/107
- 7,310,976 B1 * 12/2007 Renda D04B 15/38
66/125 R
- 8,245,544 B2 * 8/2012 Lonati D04B 15/34
66/216
- D771,153 S * 11/2016 Lonati D15/66
- D771,154 S * 11/2016 Lonati D15/78
- D771,156 S * 11/2016 Lonati D15/78
- D772,958 S * 11/2016 Lonati D15/78
- 9,683,321 B2 * 6/2017 Lonati D04B 15/99
- 9,689,094 B2 * 6/2017 Lonati D04B 15/68
- 9,689,095 B2 * 6/2017 Lonati D04B 15/68
- 9,702,068 B2 * 7/2017 Lonati D04B 15/68

(Continued)

Primary Examiner — Mitchell I. Siegel
(74) *Attorney, Agent, or Firm* — Oliff PLC

(57) **CLAIM**

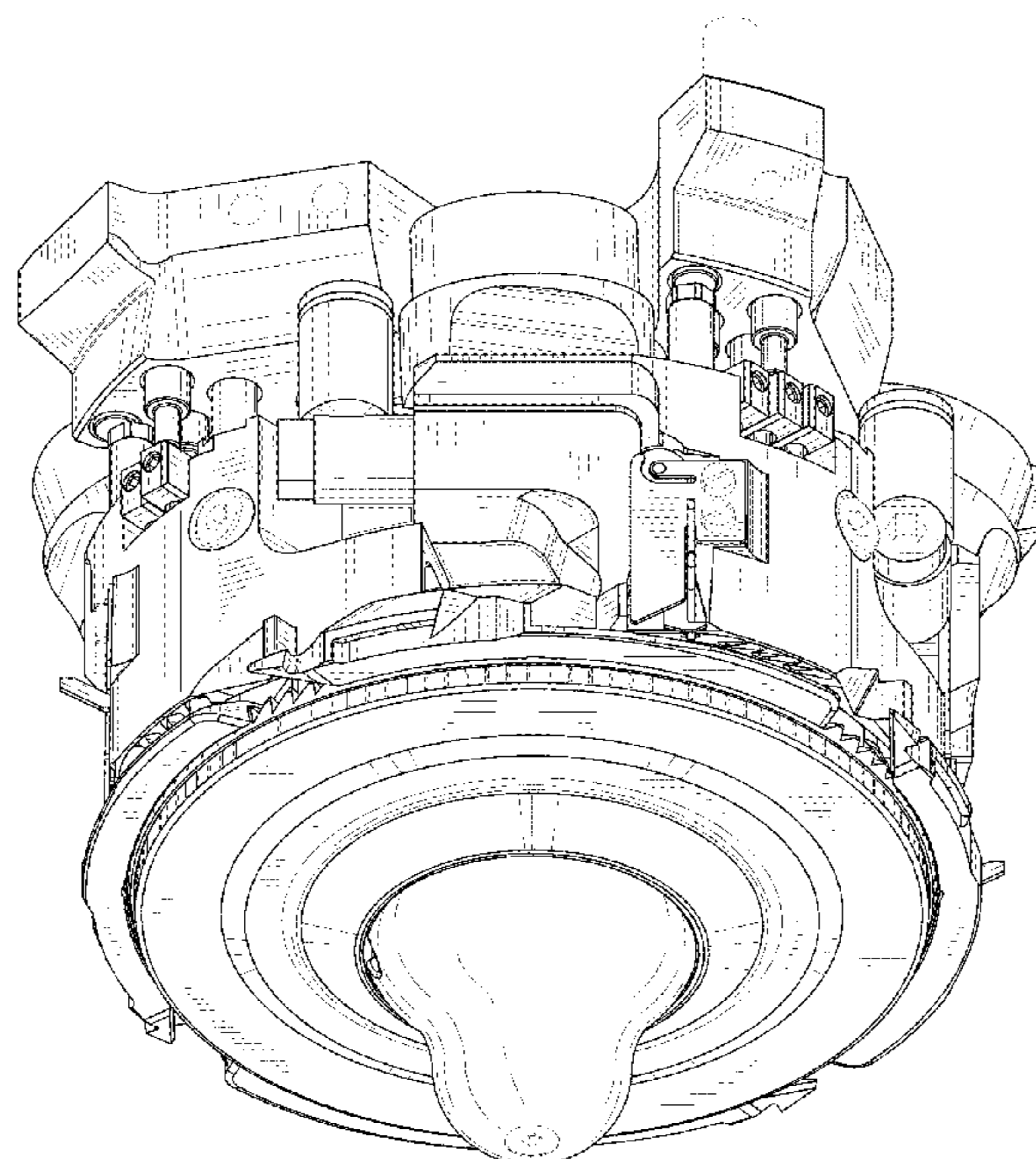
The ornamental design for a textile machine, as shown and described.

DESCRIPTION

FIG. 1 is a perspective view of the textile machine; FIG. 2 is a top view thereof; FIG. 3 is a bottom view thereof; FIG. 4 is a front view thereof; FIG. 5 is a rear view thereof; FIG. 6 is a left-side view thereof; and, FIG. 7 is a right-side view thereof. The broken lines depict unclaimed parts of the textile machine and form no part of the claimed design.

1 Claim, 7 Drawing Sheets

- (56) **References Cited**
U.S. PATENT DOCUMENTS
- 2,153,019 A * 4/1939 Holmes D04B 9/06
66/200
- D198,581 S * 7/1964 Kamp D15/66
- 3,859,822 A * 1/1975 Renda D04B 15/94
66/8
- 3,959,992 A * 6/1976 Eschenbach D04B 15/00
66/8
- 4,033,147 A * 7/1977 King D04B 15/00
297/217.1
- D246,244 S * 11/1977 Current D15/66
- D247,900 S * 5/1978 Current D15/66



(56)

References Cited

U.S. PATENT DOCUMENTS

10,240,266	B2 *	3/2019	Lonati	D04B 9/06
2010/0192637	A1 *	8/2010	Lonati	D04B 9/06
				66/19

* cited by examiner

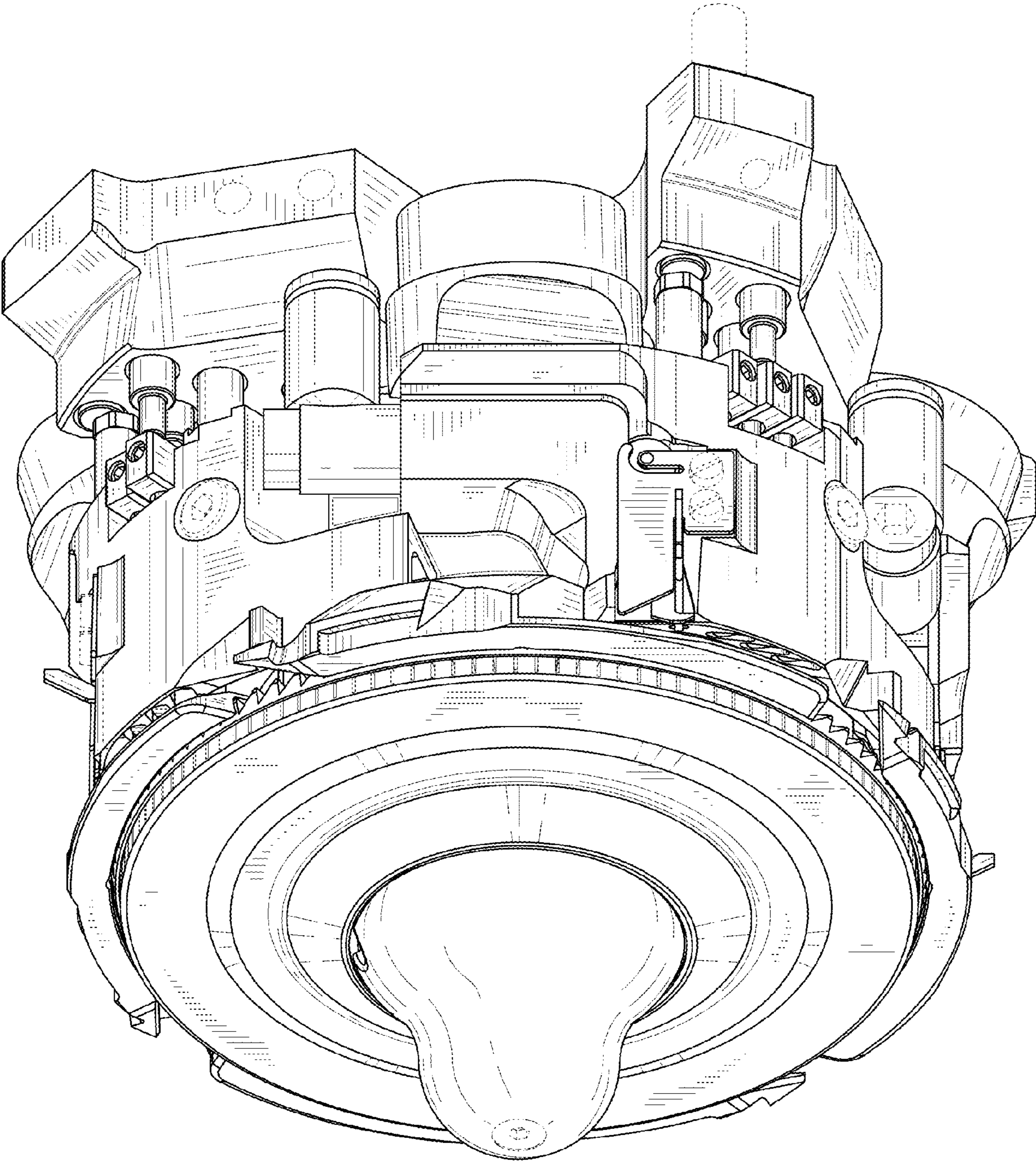


FIG. 1

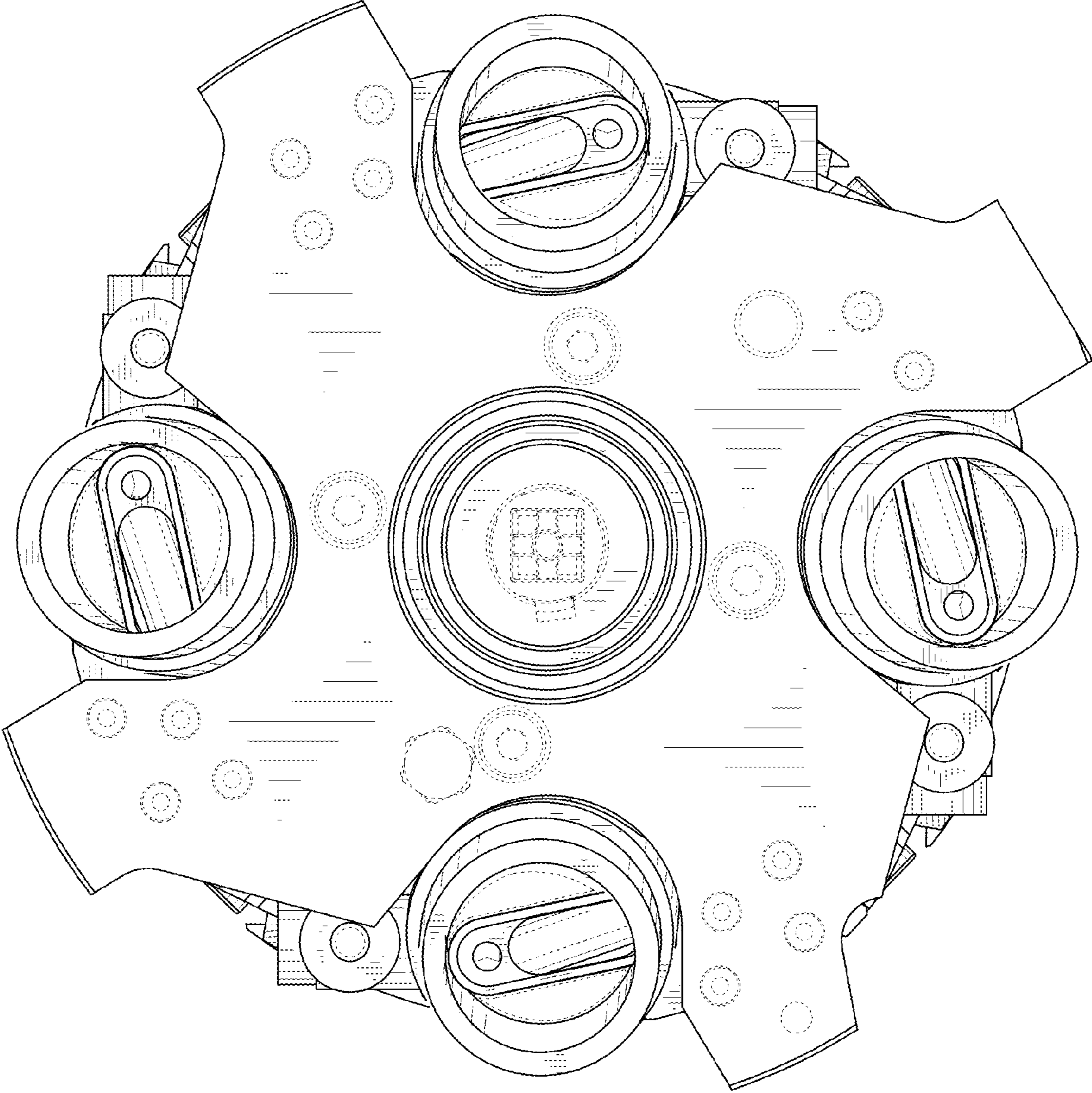


FIG. 2

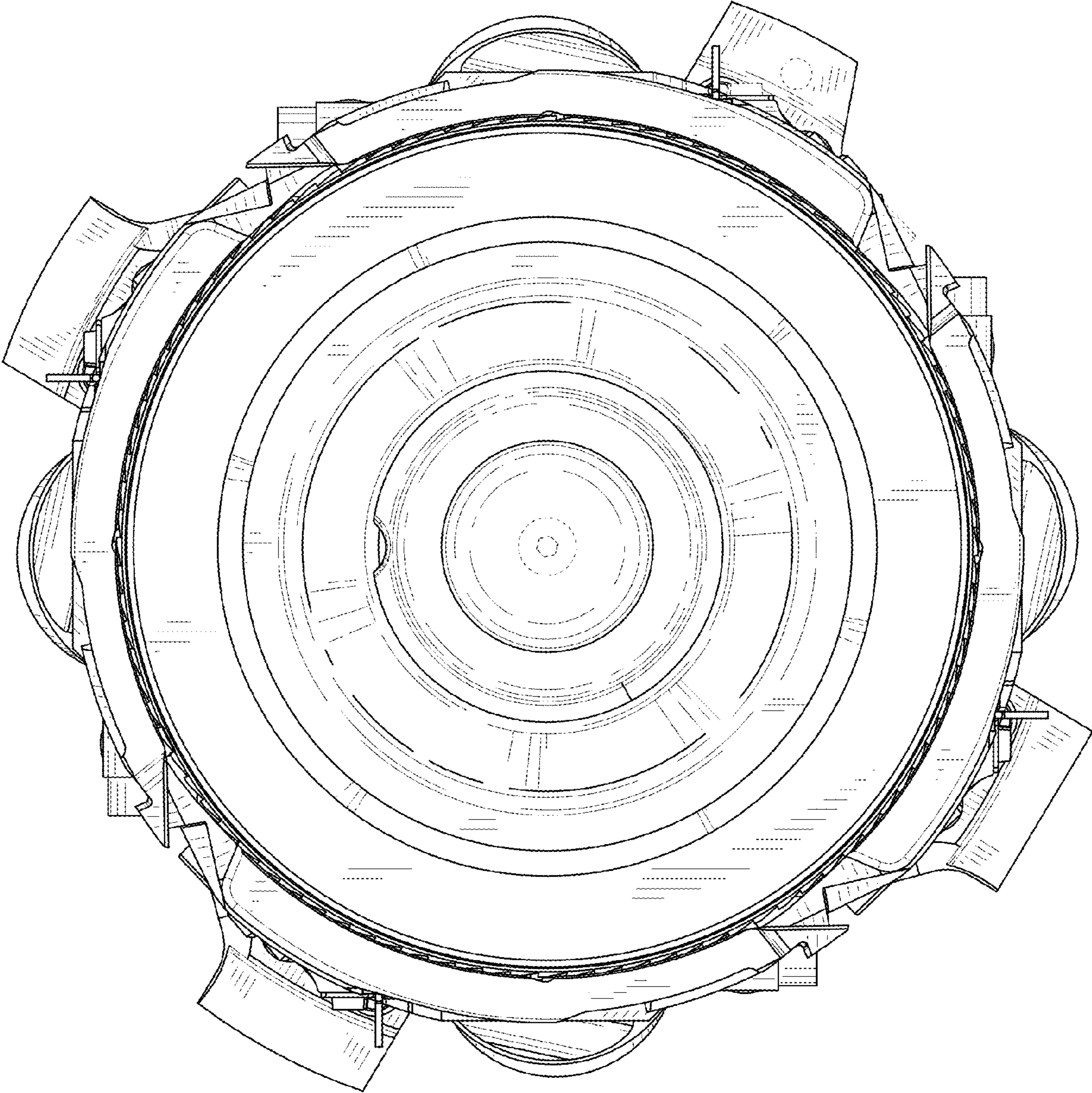


FIG. 3

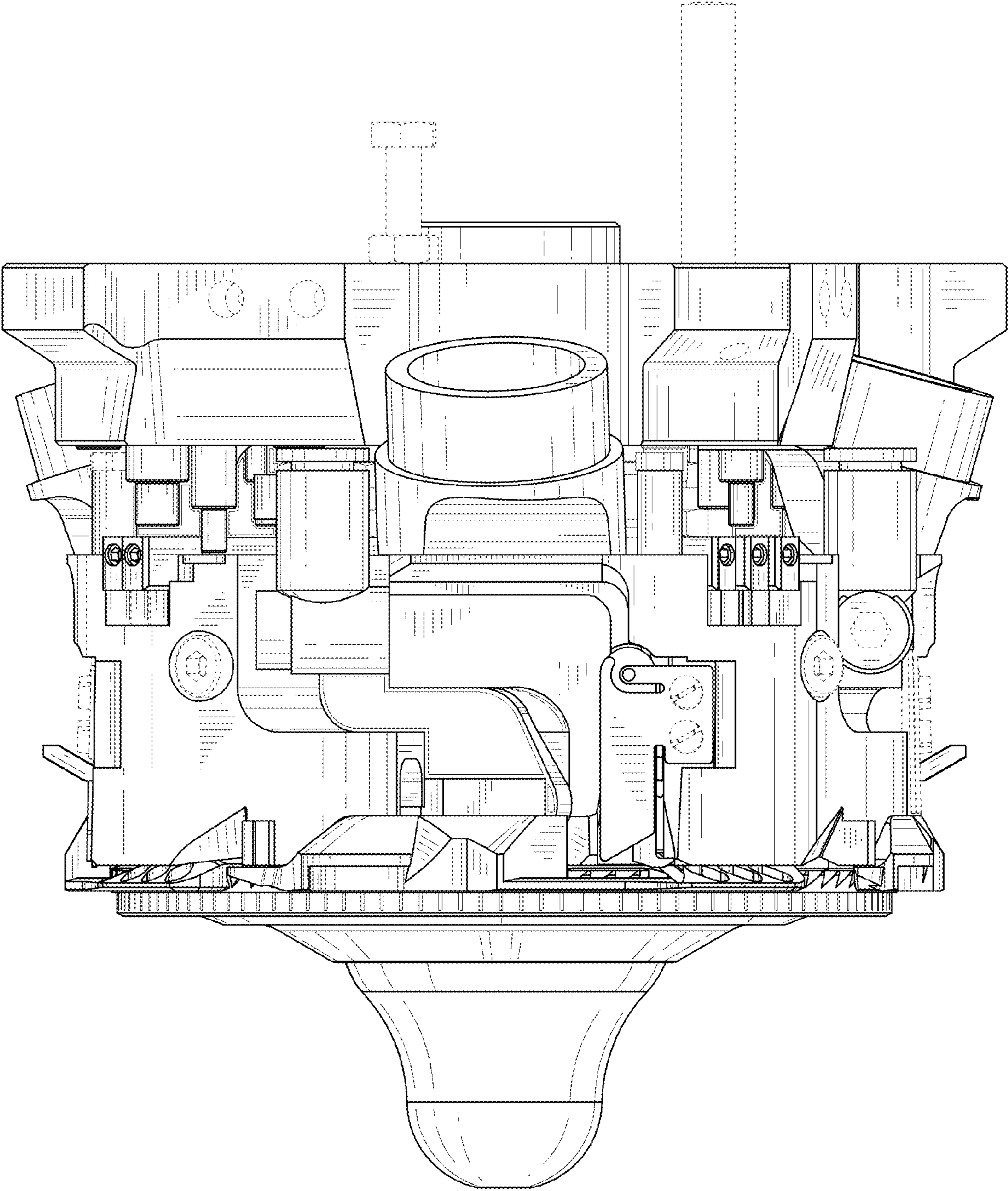


FIG. 4

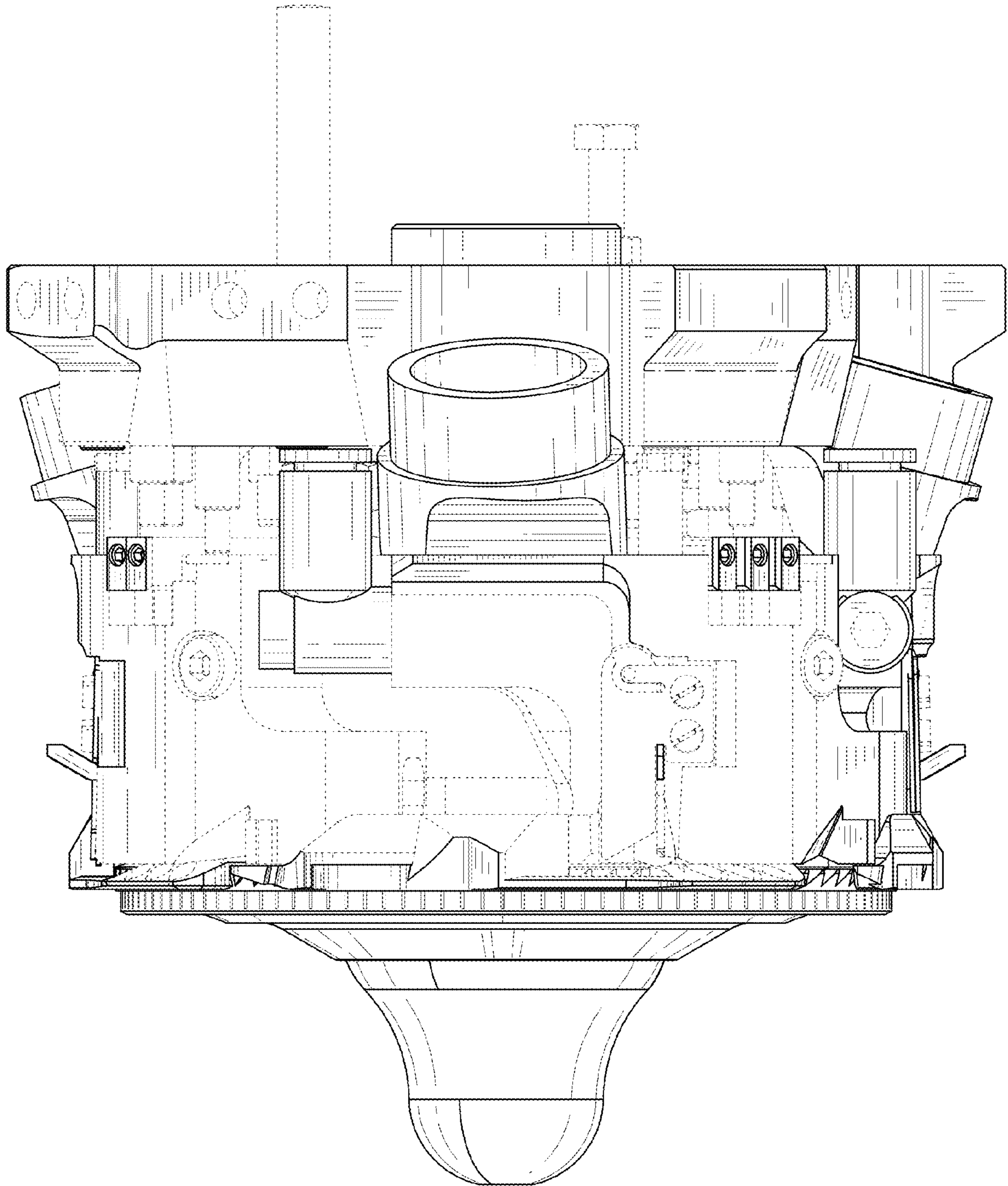


FIG. 5

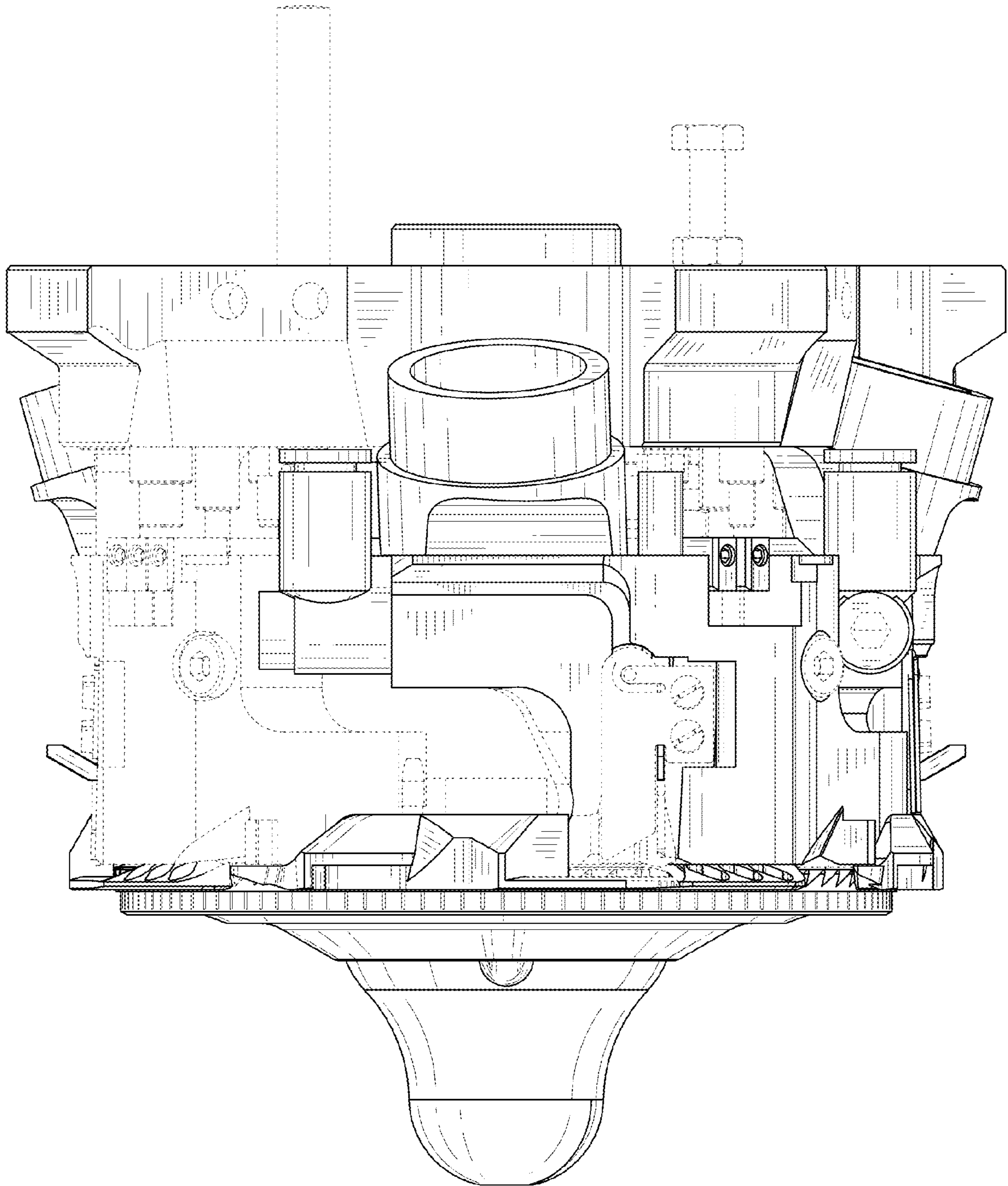


FIG. 6

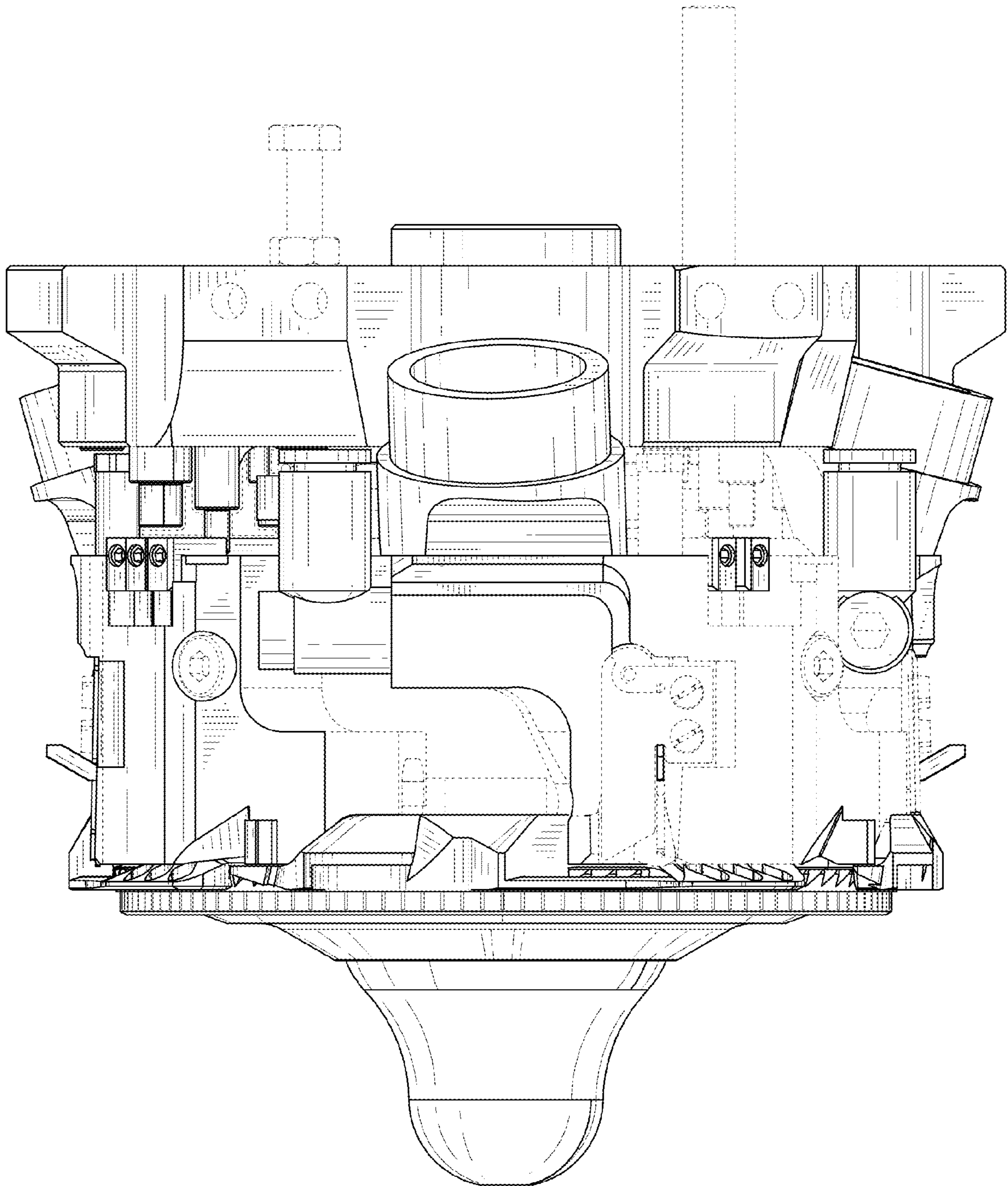


FIG. 7