



US00D893552S

(12) **United States Design Patent** (10) **Patent No.:** **US D893,552 S**
Mayleben et al. (45) **Date of Patent:** **** Aug. 18, 2020**

(54) **PUMP COMPONENTS**

(71) Applicant: **Wayne/Scott Fetzer Company**,
Westlake, OH (US)

(72) Inventors: **Philip Anthony Mayleben**, Brookville,
IN (US); **Michael Steven Garcia**,
Harrison, OH (US); **Buford Alan
Cooper**, Sunman, IN (US)

(73) Assignee: **Wayne/Scott Fetzer Company**,
Westlake, OH (US)

(**) Term: **15 Years**

(21) Appl. No.: **29/608,435**

(22) Filed: **Jun. 21, 2017**

(51) **LOC (12) Cl.** **15-03**

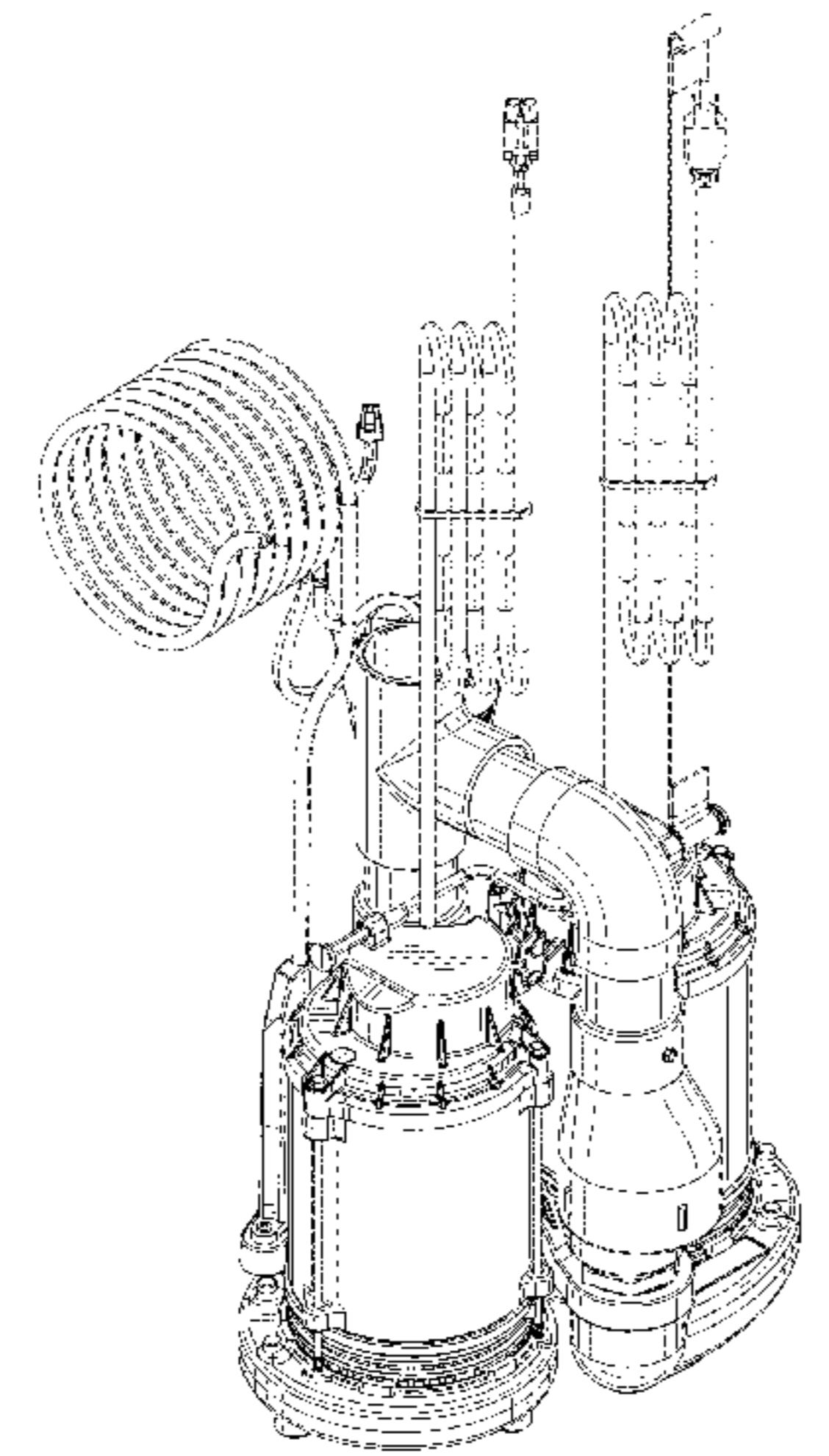
(52) **U.S. Cl.**
USPC **D15/7**

(58) **Field of Classification Search**
USPC D15/7-9.1
CPC F02M 37/04; F02M 37/14; F04B 53/92;
F04B 1/005; F04D 13/06; F04D 29/22;
F04D 29/046; F04D 29/2266
See application file for complete search history.

3,113,285 A	12/1963	Edwards
3,130,154 A	4/1964	Heskett
3,154,652 A	10/1964	Gilman
3,208,472 A	9/1965	Scaramucci
3,399,399 A	8/1968	Apfelbaum
3,521,659 A	7/1970	Seger
3,563,213 A	2/1971	Hambric
3,563,382 A	2/1971	Regent
3,586,038 A	6/1971	Jahrstorter
3,610,698 A	10/1971	Gachot
3,634,842 A	1/1972	Niedermeyer
3,656,134 A	4/1972	Brown
3,705,602 A	12/1972	Mollefors
3,726,606 A	4/1973	Peters
3,814,544 A	6/1974	Roberts et al.
3,824,852 A	7/1974	Otto
3,828,806 A	8/1974	Glos
3,872,419 A	3/1975	Groves
3,875,051 A	4/1975	Kovarik
3,882,476 A	5/1975	Lofgren
3,908,441 A	9/1975	Virloget
3,932,853 A	1/1976	Cannon
3,941,507 A	3/1976	Niedermeyer
3,951,568 A	4/1976	Carlson
3,974,848 A	8/1976	Wheatley
4,108,574 A	8/1978	Bartley
4,117,860 A	10/1978	Carlin
4,119,860 A	10/1978	Gooley
4,137,527 A	1/1979	Tennenhouse
4,144,517 A	3/1979	Baumael
4,187,503 A	2/1980	Walton
4,202,036 A	5/1980	Bowditch
4,203,324 A	5/1980	Baumael
4,222,711 A	9/1980	Mayer
4,228,427 A	10/1980	Niedermeyer
4,230,578 A	10/1980	Culp
RE30,532 E	3/1981	Buckner
4,262,216 A	4/1981	Johnston
4,291,261 A	9/1981	Johnston
4,296,633 A	10/1981	Hakansson
4,302,641 A	11/1981	Johnston
4,369,438 A	1/1983	Wilhelmi
4,437,811 A	3/1984	Iwata
4,456,432 A	6/1984	Mannino
4,484,862 A	11/1984	Jensen
4,529,854 A	7/1985	Johnston
4,551,068 A	11/1985	Boudreaux
4,563,274 A	1/1986	Rothon
4,572,934 A	2/1986	Johnston
4,594,153 A	6/1986	Weis
4,598,742 A	7/1986	Taylor
4,600,844 A	7/1986	Atkins
4,630,245 A	12/1986	Dam

(56) **References Cited**
U.S. PATENT DOCUMENTS

734,978 A	7/1903	Simpson
791,666 A	6/1905	Wishart
957,633 A	5/1910	Taub
1,196,925 A	9/1916	Boyer
1,858,246 A	5/1932	Mahan
2,017,033 A	10/1935	Mcguffin
2,044,921 A	6/1936	Swanland
2,225,840 A	12/1940	Newton
2,488,506 A	11/1949	Bernhardt
2,789,575 A	4/1957	Miller
2,810,345 A	10/1957	Englesson
2,856,956 A	10/1958	Smolensky
2,948,661 A	8/1960	O'Neill, Jr.
3,025,962 A	3/1962	Williams
3,072,141 A	1/1963	Wheeler, Jr.



US D893,552 S

4,631,001	A	12/1986	Keech	6,464,531	B2	10/2002	Eckert
4,652,802	A	3/1987	Johnston	6,469,641	B1	10/2002	Lash
4,715,966	A	12/1987	Bowman	6,481,973	B1	11/2002	Struthers
4,718,457	A	1/1988	Luger	6,489,895	B1	12/2002	Apelman
4,738,584	A	4/1988	Price	6,499,961	B1	12/2002	Wyatt
4,792,660	A	12/1988	Cooley	6,510,736	B1	1/2003	Van Ee
4,808,077	A	2/1989	Kan	6,552,647	B1	4/2003	Thiessen
4,820,131	A	4/1989	Johnson	6,565,325	B2	5/2003	Belehradek
4,904,878	A	2/1990	Gipp	6,578,634	B2	6/2003	Newman
4,945,491	A	7/1990	Rishel	6,632,072	B2	10/2003	Lipscomb
4,961,018	A	10/1990	Akhter	6,649,839	B2	11/2003	Eckert
5,015,152	A	5/1991	Greene	6,675,826	B1	1/2004	Newman
5,052,222	A	10/1991	Stoepfel	6,676,382	B2	1/2004	Leighton
5,055,000	A	10/1991	Akhter	6,683,535	B1	1/2004	Utke
5,059,954	A	10/1991	Beldham	6,812,848	B2	2/2004	Candela
5,063,778	A	11/1991	Jorritsma	6,703,930	B2	3/2004	Skinner
5,087,801	A	2/1992	Johnston	6,711,908	B2	3/2004	Ferragut
5,142,108	A	8/1992	Johnston	6,766,835	B1	7/2004	Fima
5,145,323	A	9/1992	Farr	6,941,785	B2	9/2005	Haynes
5,145,337	A	9/1992	Kirkland	7,002,481	B1	2/2006	Crane
5,155,311	A	10/1992	Utke	7,009,510	B1	3/2006	Douglass
5,155,472	A	10/1992	Dam	7,009,511	B2	3/2006	Mazar
5,159,318	A	10/1992	Kronberg	7,021,068	B2	4/2006	Ferragut
5,178,520	A	1/1993	Strelow	7,030,767	B2	4/2006	Candela
5,181,841	A	1/1993	Kirkland	7,032,435	B2	4/2006	Hassenflug
5,201,294	A	4/1993	Osuka	7,042,352	B2	5/2006	Kates
5,205,725	A	4/1993	Pattison	7,053,765	B1	5/2006	Clark
5,234,319	A	8/1993	Wilder	7,064,677	B2	6/2006	Newman
5,238,369	A	8/1993	Farr	7,075,425	B2	7/2006	Capano
5,283,569	A	2/1994	Nelson	7,083,392	B2	8/2006	Meza
5,306,885	A	4/1994	Utke	7,117,120	B2	10/2006	Beck
5,312,594	A	5/1994	Heller	7,142,107	B2	11/2006	Kates
5,314,313	A	5/1994	Janesky	7,153,418	B2	12/2006	Mauro, Sr.
5,319,973	A	6/1994	Crayton	7,167,087	B2	1/2007	Corrington
D351,602	S	* 10/1994	Rosebraugh	7,182,101	B2	2/2007	Alacqua
			D15/7	7,183,741	B2	2/2007	Mehlhorn
5,365,516	A	11/1994	Jandrell	7,230,528	B2	3/2007	Kates
5,449,274	A	9/1995	Kochan	7,209,048	B1	4/2007	Pace
5,464,327	A	11/1995	Horwitz	7,218,237	B2	5/2007	Kates
5,483,227	A	1/1996	Kuo	7,218,511	B1	5/2007	Strozyk
5,503,533	A	4/1996	Potter	7,228,129	B1	6/2007	Ward
5,549,456	A	8/1996	Burrill	7,264,449	B1	9/2007	Harned
5,566,079	A	10/1996	Jun	7,292,139	B2	11/2007	Mazar
5,570,413	A	10/1996	Ahlberg	7,292,898	B2	11/2007	Clark
5,655,561	A	8/1997	Wendel	7,298,278	B2	11/2007	Miller
5,672,050	A	9/1997	Webber	7,298,281	B2	11/2007	Cupples
5,696,493	A	12/1997	Einck	7,306,008	B2	12/2007	Tornay
5,742,500	A	4/1998	Irvin	7,307,538	B2	12/2007	Kochan
5,747,824	A	5/1998	Jung	7,308,322	B1	12/2007	Discenzo
5,764,034	A	6/1998	Bowman	7,309,216	B1	12/2007	Spadola
5,859,589	A	1/1999	McGrew	7,319,853	B2	1/2008	Luebke
5,900,546	A	5/1999	Wilkins	7,342,504	B2	3/2008	Crane
5,908,047	A	6/1999	Nakamura	7,397,360	B2	7/2008	Corrington
5,909,352	A	6/1999	Klabunde	7,406,842	B2	8/2008	Oh
5,923,102	A	7/1999	Koenig	7,411,494	B2	8/2008	Kates
5,941,270	A	8/1999	Nogle	7,417,552	B1	8/2008	Vaskovic
5,963,883	A	10/1999	Cunkelman	7,423,541	B2	9/2008	Miller
5,967,759	A	10/1999	Jurado	7,429,842	B2	9/2008	Schulman
6,004,463	A	12/1999	Swett	7,431,569	B2	10/2008	Griffiths
6,012,020	A	1/2000	Gardell	7,458,782	B1	12/2008	Spadola
6,029,444	A	2/2000	Nakamura	7,493,770	B2	2/2009	Christianson
6,041,965	A	3/2000	Smith	7,528,711	B2	5/2009	Kates
6,138,750	A	10/2000	Ford	7,539,549	B1	5/2009	Discenzo
6,140,925	A	10/2000	Lee	7,544,041	B2	6/2009	Mayleben
6,173,739	B1	1/2001	Addo	7,544,046	B2	6/2009	Beyer
6,203,282	B1	3/2001	Morin	7,558,699	B2	7/2009	Beck
6,232,883	B1	5/2001	Silva	7,561,057	B2	7/2009	Kates
6,237,625	B1	5/2001	Randolph	7,572,108	B2	8/2009	Koehl
6,260,004	B1	7/2001	Hays	7,578,657	B2	8/2009	Kowalak
6,289,735	B1	9/2001	Dister	7,583,198	B2	9/2009	Kates
6,318,406	B1	11/2001	Conley	7,612,510	B2	11/2009	Koehl
6,322,325	B1	11/2001	Belehradek	7,612,529	B2	11/2009	Kochan
6,323,774	B1	11/2001	Mitchell	7,626,508	B2	12/2009	Kosuge
6,364,620	B1	4/2002	Fletcher	7,668,694	B2	2/2010	Anderson
6,366,053	B1	4/2002	Belehradek	7,671,754	B2	3/2010	Heilmann
6,375,430	B1	4/2002	Eckert	7,672,262	B2	3/2010	McCoy
6,397,874	B1	6/2002	Featheringill	7,686,587	B2	3/2010	Koehl
6,420,668	B1	7/2002	Lee	7,686,589	B2	3/2010	Stiles, Jr.
6,443,715	B1	9/2002	Mayleben	7,704,051	B2	4/2010	Koehl
6,462,666	B1	10/2002	Einck				

US D893,552 S

7,746,243	B2	6/2010	Chen	8,602,745	B2	12/2013	Stiles, Jr.	
7,751,159	B2	7/2010	Koehl	8,641,385	B2	2/2014	Koehl	
7,755,318	B1	7/2010	Panosh	8,651,824	B2	2/2014	Ward	
7,768,413	B2	8/2010	Kosuge	8,665,111	B2	3/2014	Wang	
7,778,633	B2	8/2010	Ward	8,704,678	B2	4/2014	Wang	
7,789,850	B2	9/2010	Roger	8,801,389	B2	8/2014	Stiles, Jr.	
7,791,467	B2	9/2010	Mazar	8,816,860	B2	8/2014	Ophardt	
7,798,781	B2	9/2010	Parsons	8,840,376	B2	9/2014	Stiles, Jr.	
7,802,453	B2	9/2010	Oh	8,875,729	B1	11/2014	Bramble	
7,815,420	B2	10/2010	Koehl	8,892,263	B1	11/2014	Morris	
7,817,031	B2	10/2010	Kates	8,954,336	B2	2/2015	Blomquist	
7,821,215	B2	10/2010	Koehl	8,956,130	B2	2/2015	Buzit	
7,831,282	B2	11/2010	Luebke	8,967,183	B2	3/2015	Oakner	
7,845,913	B2	12/2010	Stiles, Jr.	8,971,958	B2	3/2015	Frikart	
7,857,600	B2	12/2010	Koehl	8,976,031	B2	3/2015	Ophardt	
7,869,978	B2	1/2011	Anderson	9,002,528	B1	4/2015	Morris	
7,874,808	B2	1/2011	Stiles	D729,279	S *	5/2015	Fulkerson B05B 7/1459
7,889,087	B2	2/2011	Boss					D15/7
7,893,812	B2	2/2011	Kates	9,039,383	B2	5/2015	Okamoto	
7,893,827	B2	2/2011	Kates	9,051,930	B2	6/2015	Stiles, Jr.	
7,893,828	B2	2/2011	Kates	9,091,262	B2	7/2015	Runkle	
7,900,647	B2	3/2011	Tornay	9,157,434	B2	10/2015	Leonard	
7,936,264	B2	5/2011	Kates	9,181,895	B2	11/2015	Roberts	
7,956,735	B2	6/2011	Jackson	9,206,913	B2	12/2015	Rankin	
7,976,284	B2	7/2011	Koehl	9,217,577	B2	12/2015	Oakner	
7,979,240	B2	7/2011	Fielder	9,260,943	B2	2/2016	Eriksson	
7,982,602	B2	7/2011	Kates	9,278,237	B2	3/2016	Cook	
7,983,877	B2	7/2011	Koehl	9,289,110	B2	3/2016	Woolford	
7,990,091	B2	8/2011	Koehl	9,324,049	B2	4/2016	Thomeer	
8,004,415	B2	8/2011	Boss	9,328,727	B2	5/2016	Koehl	
8,019,479	B2	9/2011	Stiles	9,350,710	B2	5/2016	Herle	
8,031,079	B2	10/2011	Kates	9,371,829	B2	6/2016	Koehl	
8,036,829	B2	10/2011	Gibbs	9,383,244	B2	7/2016	Bishop	
8,043,070	B2	10/2011	Stiles, Jr.	9,394,899	B2	7/2016	Garvey	
8,055,401	B2	11/2011	Aldrich	9,399,992	B2	7/2016	Koehl	
8,059,010	B2	11/2011	Guazzelli	9,404,500	B2	8/2016	Stiles, Jr.	
8,060,078	B2	11/2011	Ward	9,439,050	B2	9/2016	Ward	
8,068,026	B1	11/2011	Delerno	9,441,632	B2	9/2016	Bishop	
8,075,304	B2	12/2011	Cox	9,492,071	B2	11/2016	Woolford	
8,096,001	B2	1/2012	Stimpson	9,499,412	B1	11/2016	McKinney	
8,099,195	B2	1/2012	Imes	9,500,193	B2	11/2016	Knight	
8,120,500	B2	2/2012	Tokhtuev	9,511,184	B2	12/2016	Woolford	
8,128,340	B2	3/2012	Racer	9,551,344	B2	1/2017	Stiles, Jr.	
8,130,093	B2	3/2012	Mazar	9,556,887	B2	1/2017	Carpenter	
8,130,107	B2	3/2012	Meyer	9,603,990	B2	3/2017	Woolford	
8,165,781	B2	4/2012	Johnson	9,605,680	B2	3/2017	Stiles, Jr.	
8,180,489	B2	5/2012	Quinn	9,637,941	B2	5/2017	Bright	
8,180,593	B2	5/2012	Anderson	9,638,193	B2	5/2017	Bishop	
8,183,995	B2	5/2012	Wang	9,656,017	B2	5/2017	Greene	
8,185,260	B2	5/2012	Delaloye	9,670,692	B2	6/2017	Oshmyansky	
8,223,032	B2	7/2012	Van Gorp	9,670,918	B2	6/2017	Mueller	
8,226,371	B2	7/2012	Kochan	9,696,360	B2	7/2017	Rothbart	
8,242,920	B1	8/2012	Mostowfi	9,703,275	B2	7/2017	Ersavas	
8,249,826	B1	8/2012	Anderson	9,709,431	B1	7/2017	Kinney	
8,297,937	B2	10/2012	Johnson	9,770,114	B2	9/2017	Brosnan	
8,332,055	B2	12/2012	Veillette	9,777,723	B2	10/2017	Wiegman	
8,334,763	B2	12/2012	Jackson	9,777,733	B2	10/2017	Stiles, Jr.	
8,335,593	B2	12/2012	Johnson	9,796,320	B2	10/2017	McGuffin	
8,350,710	B2	1/2013	Logan	9,889,246	B2	2/2018	Woolford	
8,378,833	B2	2/2013	Miller	9,927,479	B2	3/2018	Rothbart	
8,380,355	B2	2/2013	Mayleben	9,932,984	B2	4/2018	Stiles, Jr.	
8,393,352	B2	3/2013	Porter-Coote	D817,364	S *	5/2018	He D15/7
8,395,498	B2	3/2013	Gaskill	D842,340	S *	3/2019	Kuang D15/7
8,412,473	B2	4/2013	Woltring	D856,374	S *	8/2019	Park D15/7
8,417,483	B2	4/2013	Anderson	D867,400	S *	11/2019	Xiang D15/7
8,451,113	B2	5/2013	Mazar	D870,153	S *	12/2019	Xiang D15/7
8,465,262	B2	6/2013	Stiles, Jr.	D871,456	S *	12/2019	Soreo D15/7
8,467,908	B2	6/2013	Broniak	2001/0002597	A1	6/2001	Addo	
8,469,675	B2	6/2013	Stiles, Jr.	2002/0072270	A1	6/2002	Eckert	
8,500,413	B2	8/2013	Stiles, Jr.	2002/0076331	A1	6/2002	Eckert	
8,504,180	B2	8/2013	Imes	2002/0102162	A1	8/2002	Belehradek	
8,528,611	B2	9/2013	Wilson	2002/0158776	A1	10/2002	Lash	
8,540,493	B2	9/2013	Koehl	2002/0176782	A1	11/2002	Batchelder et al.	
8,558,677	B2	10/2013	Shuster	2003/0049134	A1	3/2003	Leighton	
8,573,952	B2	11/2013	Stiles, Jr.	2003/0076744	A1	4/2003	Zick	
8,579,600	B2	11/2013	Vijayakumar	2003/0184444	A1	10/2003	Collings	
8,583,333	B2	11/2013	Rennie	2004/0260425	A1	12/2004	Giacaman	
8,585,377	B2	11/2013	Kamen	2005/0009511	A1	1/2005	Bostrom	
8,602,744	B2	12/2013	Ward	2005/0034383	A1	2/2005	Allen	

US D893,552 S

Page 4

2005/0099311	A1	5/2005	Eskins	2014/0107499	A1	4/2014	Dunsirn
2005/0158177	A1	7/2005	Mehlhorn	2014/0119946	A1	5/2014	Boese
2005/0184879	A1	8/2005	McPherson	2014/0119947	A1	5/2014	Bishop
2005/0235306	A1	10/2005	Fima	2014/0120901	A1	5/2014	Ward
2005/0281679	A1	12/2005	Niedermeyer	2014/0199180	A1	7/2014	Schoendorff
2006/0007008	A1	1/2006	Kates	2014/0202243	A1	7/2014	Leonard
2006/0008355	A1	1/2006	Low	2014/0248162	A1	9/2014	Beaudin
2006/0078435	A1	4/2006	Burza	2014/0262130	A1	9/2014	Yenni
2006/0096648	A1	5/2006	Guerrier	2014/0262134	A1	9/2014	Arensmeier
2006/0125646	A1	6/2006	McPherson	2014/0266755	A1	9/2014	Arensmeier
2006/0176000	A1	8/2006	Schulman	2014/0314062	A1	10/2014	Loebs
2006/0226997	A1	10/2006	Kochan	2014/0316819	A1	10/2014	Dunsirn
2006/0240818	A1	10/2006	McCoy	2014/0356197	A1	12/2014	Hotovec
2006/0272830	A1	12/2006	Fima	2014/0371925	A1	12/2014	Butler
2007/0022994	A1	2/2007	Moskun	2015/0044060	A1	2/2015	Kochan
2007/0103324	A1	5/2007	Kosuge	2015/0064021	A1	3/2015	Laing
2007/0175633	A1	8/2007	Kosmala	2015/0095100	A1	4/2015	Vittal
2007/0224050	A1	9/2007	Ward	2015/0100169	A1	4/2015	McKinney
2007/0252717	A1	11/2007	Fielder	2015/0110642	A1	4/2015	Dahouk
2007/0258827	A1	11/2007	Gierke	2015/0143891	A1	5/2015	Cummings
2008/0031751	A1	2/2008	Littwin	2015/0143892	A1	5/2015	Cummings
2008/0031752	A1	2/2008	Littwin	2015/0143893	A1	5/2015	Cummings
2008/0197999	A1	8/2008	Henderson	2015/0143894	A1	5/2015	Cummings
2008/0229819	A1	9/2008	Mayleben	2015/0143895	A1	5/2015	Cummings
2008/0233983	A1	9/2008	Park	2015/0143896	A1	5/2015	Cummings
2008/0298978	A1	12/2008	Schulman	2015/0143897	A1	5/2015	Cummings
2008/0299961	A1	12/2008	Muller	2015/0143900	A1	5/2015	Cummings
2009/0081050	A1	3/2009	Moore	2015/0144818	A1	5/2015	Cummings
2009/0129940	A1	5/2009	Stevens	2015/0147190	A1	5/2015	Cummings
2009/0162211	A1	6/2009	Kochan	2015/0154369	A1	6/2015	Blomquist
2009/0173060	A1	7/2009	Lortet	2015/0316063	A1	11/2015	Bishop
2009/0192731	A1	7/2009	De Jesus	2015/0316908	A1	11/2015	Eller
2009/0208345	A1	8/2009	Moore	2015/0322951	A1	11/2015	Bishop
2009/0234513	A1	9/2009	Wiggins	2015/0322953	A1	11/2015	Boese
2009/0243863	A1	10/2009	Lease	2015/0330861	A1	11/2015	Alsaleem
2009/0249128	A1	10/2009	Heckman	2015/0362925	A1	12/2015	Uy
2009/0269217	A1	10/2009	Vijayakumar	2015/0376874	A1	12/2015	Breedlove
2009/0299535	A1	12/2009	Delaloye	2016/0002942	A1	1/2016	Orlando
2010/0001867	A1	1/2010	Rodrigue	2016/0038675	A1	2/2016	Estes
2010/0085198	A1	4/2010	Boss	2016/0082166	A1	3/2016	Guthrie
2010/0110792	A1	5/2010	Lutze	2016/0130796	A1	5/2016	Chen
2010/0111716	A1	5/2010	Gibbs	2016/0231721	A1	8/2016	Lakshmanan
2010/0117604	A1	5/2010	Zeier	2016/0242369	A1	8/2016	Caceres
2010/0127848	A1	5/2010	Mustapha	2016/0245279	A1	8/2016	Pal
2010/0180811	A1	7/2010	Sotiriou	2016/0249154	A1	8/2016	Addy
2010/0197364	A1	8/2010	Lee	2016/0356026	A1	12/2016	Engler
2010/0197855	A1	8/2010	Blom	2016/0359785	A1	12/2016	Ward
2010/0215511	A1	8/2010	Eller	2017/0057667	A1	3/2017	Ward
2011/0025501	A1	2/2011	Kates	2017/0078396	A1	3/2017	Haas
2011/0085917	A1	4/2011	Ward	2017/0107992	A1	4/2017	Cheng
2011/0085919	A1	4/2011	Williams	2017/0122325	A1	5/2017	Seman, Jr.
2011/0110794	A1	5/2011	Mayleben	2017/0130978	A1	5/2017	Edwards
2011/0150676	A1	6/2011	Buzit	2017/0145666	A1	5/2017	Kochan, Jr.
2011/0175740	A1	7/2011	Miner	2017/0170979	A1	6/2017	Khalid
2011/0195664	A1	8/2011	Keirstead	2017/0175746	A1	6/2017	Mayleben
2011/0215919	A1	9/2011	Hernandez	2017/0184657	A1	6/2017	Neti
2011/0273288	A1	11/2011	Kochan	2017/0193789	A1	7/2017	Economy
2011/0306931	A1	12/2011	Kamen	2017/0209338	A1	7/2017	Potucek
2011/0311370	A1	12/2011	Sloss	2017/0214349	A1	7/2017	Priem
2011/0311402	A1	12/2011	Steynberg	2017/0235318	A1	8/2017	Bright
2012/0126990	A1	5/2012	Chan	2017/0241422	A1	8/2017	Munk
2012/0141301	A1	6/2012	Van Der Spek	2017/0272844	A1	9/2017	Bergqvist
2012/0251333	A1	10/2012	Irwin	2017/0350427	A1	12/2017	Leinonen
2012/0252430	A1	10/2012	Imes				
2012/0260729	A1	10/2012	Bayley				
2012/0295567	A1	11/2012	Tropper				
2012/0325460	A1	12/2012	Lisk				
2012/0328453	A1	12/2012	Lisk				
2013/0071260	A1	3/2013	Worden				
2013/0080800	A1	3/2013	Veillette				
2013/0109404	A1	5/2013	Husney				
2013/0154851	A1	6/2013	Gaskill				
2013/0203359	A1	8/2013	Seiler				
2013/0241727	A1	9/2013	Coulombe				
2013/0243614	A1	9/2013	Moon				
2013/0252601	A1	9/2013	Yu				
2013/0259707	A1	10/2013	Yin				
2013/0271279	A1	10/2013	Mazar				
2014/0099213	A1	4/2014	Adams				

FOREIGN PATENT DOCUMENTS

CA	2420650	9/2004
CN	201307521	9/2009
EP	0501459 A2	9/1992
EP	1497558 B1	1/2005
EP	1826408 A2	8/2007
EP	1880328 A1	1/2008
EP	1910683 A1	4/2008
EP	2025881 A2	2/2009
EP	2025943 A2	2/2009
EP	1426604	9/2010
EP	2509017 A2	10/2012
EP	2511889 A2	10/2012
EP	2712599	4/2014

EP	2850319	A1	3/2015
EP	2984346	A1	2/2016
EP	3059982	A1	8/2016
EP	3089623	A1	11/2016
EP	3135911	A1	3/2017
EP	3155790	A1	4/2017
EP	3177342	A1	6/2017
FI	20146077		6/2016
GB	2451876		2/2009
GB	2541682		3/2017
JP	H04272472		9/1992
WO	1999032816		7/1999
WO	2003029134		4/2003
WO	2003089791		10/2003
WO	2003099705		12/2003
WO	2005055694		6/2005
WO	2005083619		9/2005
WO	2006096075		9/2006
WO	2006096854		9/2006
WO	2006105017		10/2006
WO	2006108304		10/2006
WO	2007012178		2/2007
WO	2007085783		8/2007
WO	2007107815		9/2007
WO	2009146003		12/2009
WO	2010092238		8/2010
WO	2010099426		9/2010
WO	2010144782		12/2010
WO	2012065160		5/2012
WO	2012074274		6/2012
WO	2012161744		11/2012
WO	2013041616		3/2013
WO	2013130155		9/2013
WO	2013171245		11/2013
WO	2014035610		3/2014
WO	2014066551		5/2014
WO	2014066688		5/2014
WO	2014169275		10/2014
WO	2015028038		3/2015
WO	2015047594		4/2015
WO	2015061050		4/2015
WO	2015103301		7/2015
WO	2015132278		9/2015
WO	2015165676		11/2015
WO	2015175737		11/2015
WO	2015175814		11/2015
WO	2015187536		12/2015
WO	2015191336		12/2015
WO	2015196174		12/2015
WO	2016022775		2/2016
WO	2016059112		4/2016
WO	2016087056		6/2016
WO	2016092150		6/2016
WO	2016137848		9/2016
WO	2016137849		9/2016
WO	2016178683		11/2016
WO	2016189546		12/2016
WO	2016205100		12/2016
WO	2016205101		12/2016
WO	2017064553		4/2017
WO	2017083141		5/2017
WO	2017161126		9/2017
WO	2017173463		10/2017
WO	2017174149		10/2017

OTHER PUBLICATIONS

Blue Angel Pump Company, Blue Angel Catalog, 2018, 34 pp.
 Blue Angel Pump Company, Blue Angel Catalog, Oct. 2015, 39 pp.
 Wayne Water Systems, Wayne Catalog, Oct. 2014, 52 pp.
 Wayback Machine, Wayne/Scott Fetzer Company, waynepumps.com, Pumps on sale or publicly available more than 1 year prior to the filing of the instant application, Feb. 5, 2014, 1 p.

“Fundamentals of Fluid Mechanics”, 5th Edition (Wiley), 2006, p. 442, 1 p.
 Patent Cooperation Treaty, International Searching Authority, Notification of Transmittal of the International Search Report and the Written Opinion of the International Searching Authority, or the Declaration issued in International Application No. PCT/US2017/066175, dated Mar. 29, 2018, 8 pp.
 International Search Report issued in International Application No. PCT/US2013/066692, dated May 7, 2014, 5 pp.
 Wayback Machine, NexPump.com, Internet Advertising of New “Ai Extreme” Series, Mar. 2, 2012, 2 pp.

* cited by examiner

Primary Examiner — Khawaja Anwar
 (74) *Attorney, Agent, or Firm* — Fitch, Even, Tabin & Flannery LLP

(57) **CLAIM**

We claim the ornamental design for pump components, as shown and described.

DESCRIPTION

FIG. 1 is a top front perspective view of pump components in accordance with an embodiment of our new design;
 FIG. 2 is a bottom rear perspective view of the pump components of FIG. 1;
 FIG. 3 is a front elevation view of the pump components of FIGS. 1-2;
 FIG. 4 is a rear elevation view of the pump components of FIGS. 1-3;
 FIG. 5 is a right-side elevation view of the pump components of FIGS. 1-4;
 FIG. 6 is a top plan view of the pump components of FIGS. 1-5;
 FIG. 7 is a bottom plan view of the pump components of FIGS. 1-6;
 FIG. 8 is a left-side elevation view of the pump components of FIGS. 1-7;
 FIG. 9 is a top rear perspective view of pump components in accordance with another embodiment of our new design;
 FIG. 10 is a bottom front perspective view of the pump components of FIG. 9;
 FIG. 11 is a left-side elevation view of the pump components of FIGS. 9-10;
 FIG. 12 is a right-side elevation view of the pump components of FIGS. 9-11;
 FIG. 13 is a rear elevation view of the pump components of FIGS. 9-12;
 FIG. 14 is a front elevation view of the pump components of FIGS. 9-13;
 FIG. 15 is a top plan view of the pump components of FIGS. 9-14; and,
 FIG. 16 is a bottom plan view of the pump components of FIGS. 9-15.
 The broken lines in the drawings depict portions of the pump components that form no part of the claimed design.

1 Claim, 15 Drawing Sheets

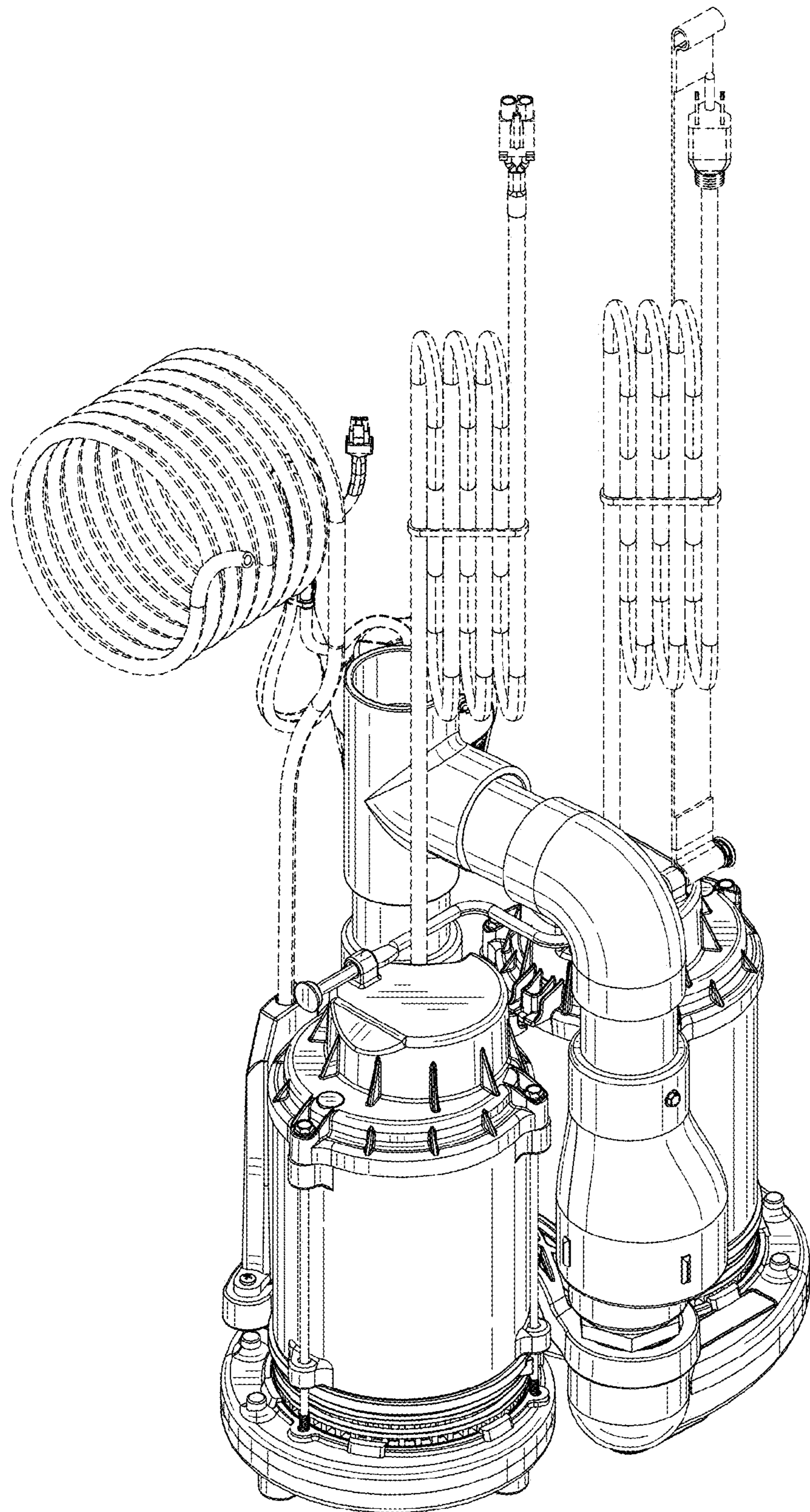


FIG. 1

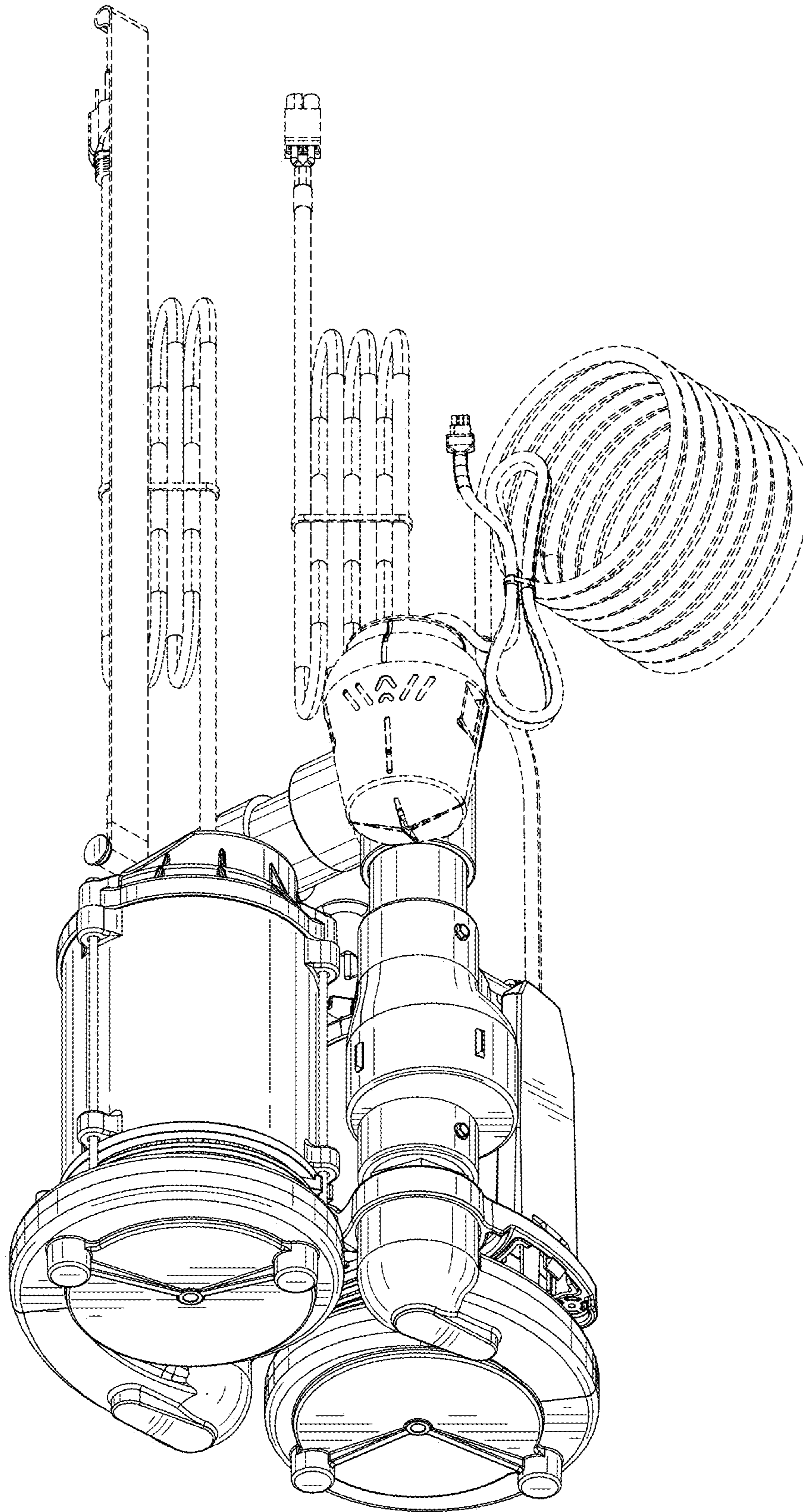


FIG. 2

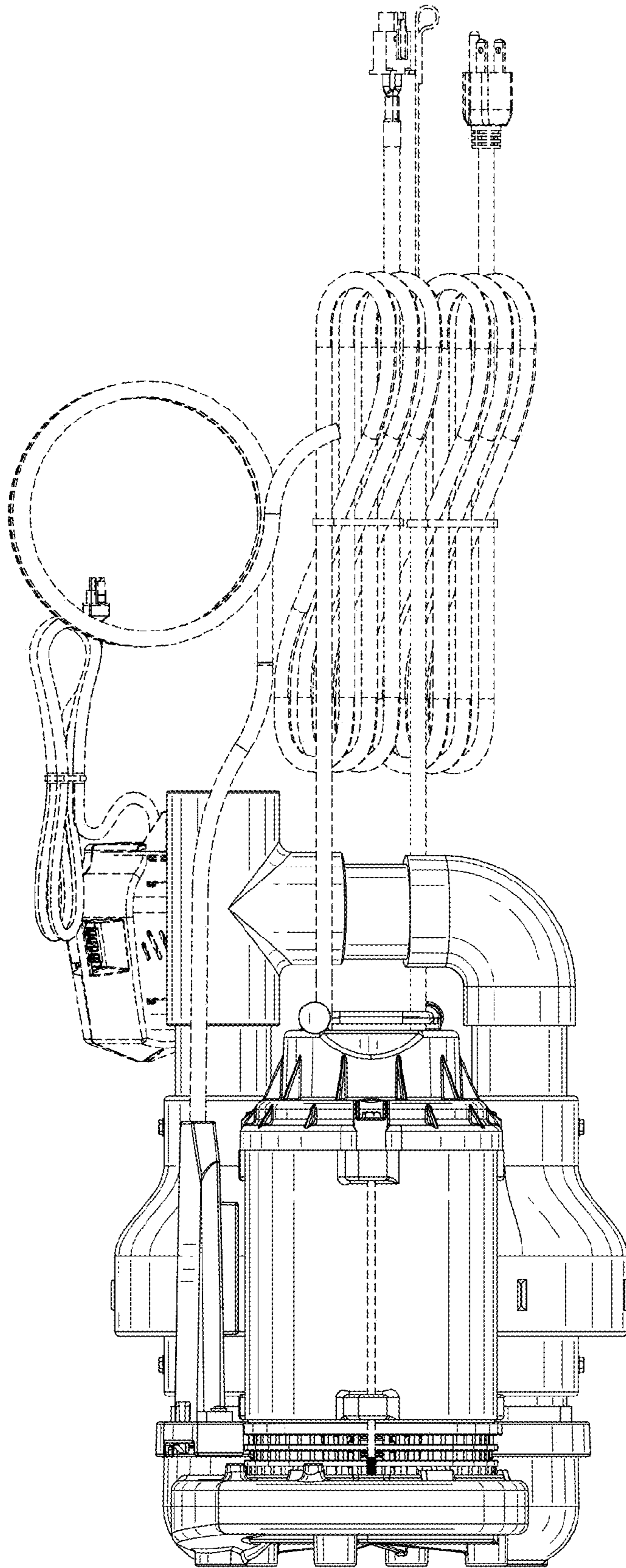


FIG. 3

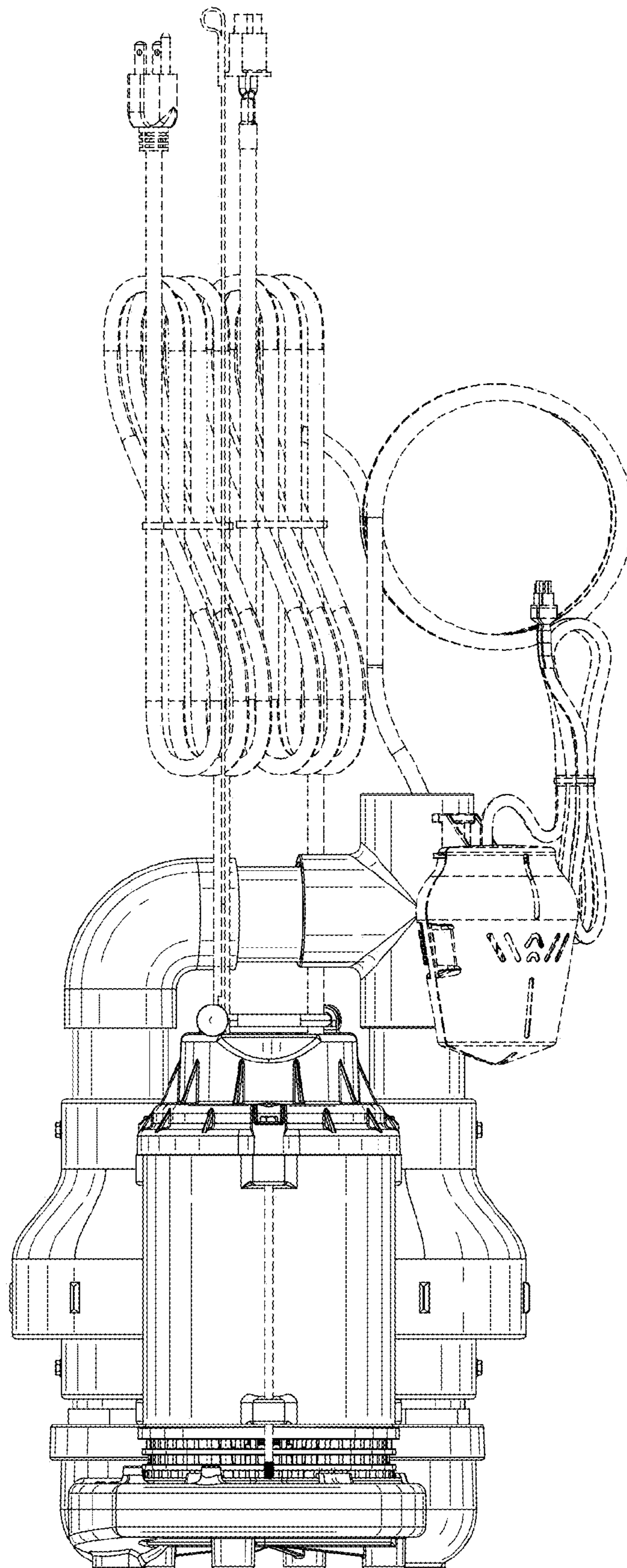


FIG. 4

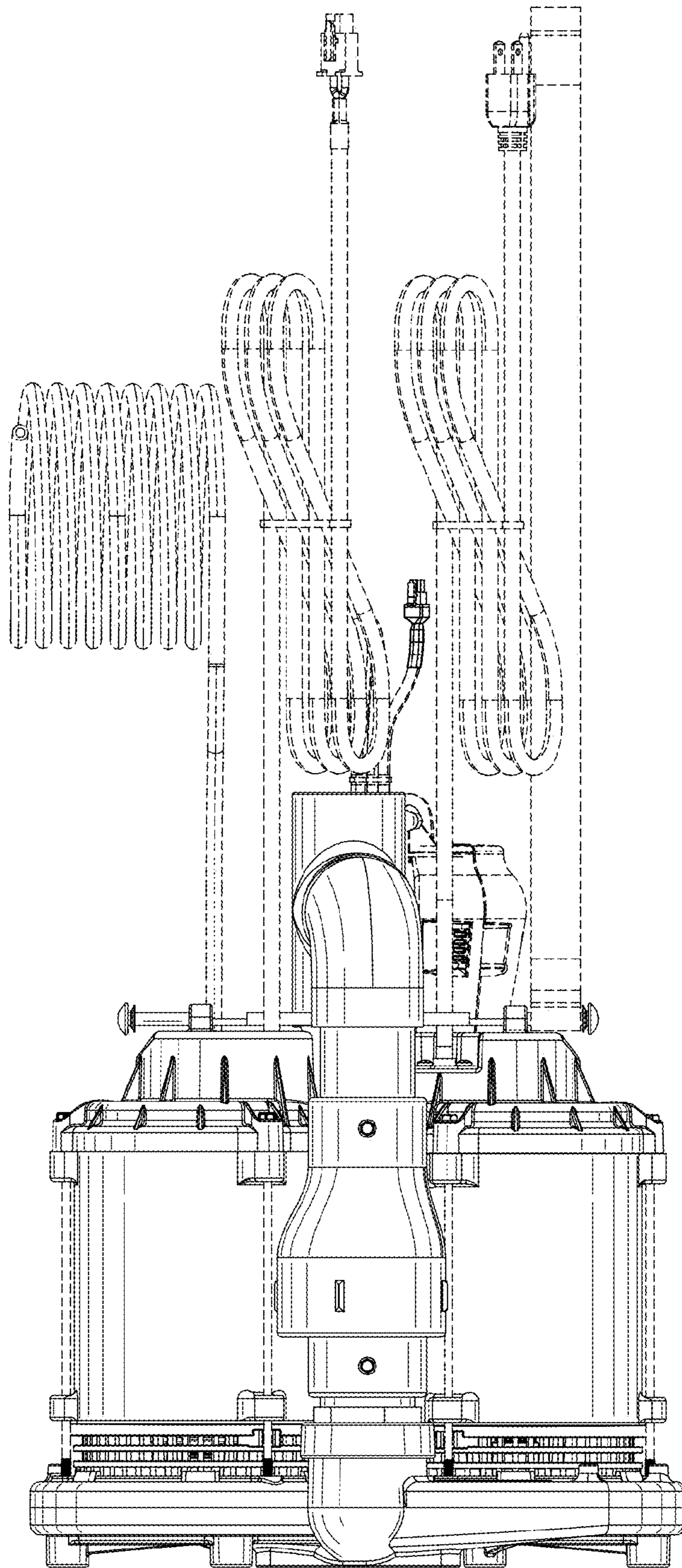


FIG. 5

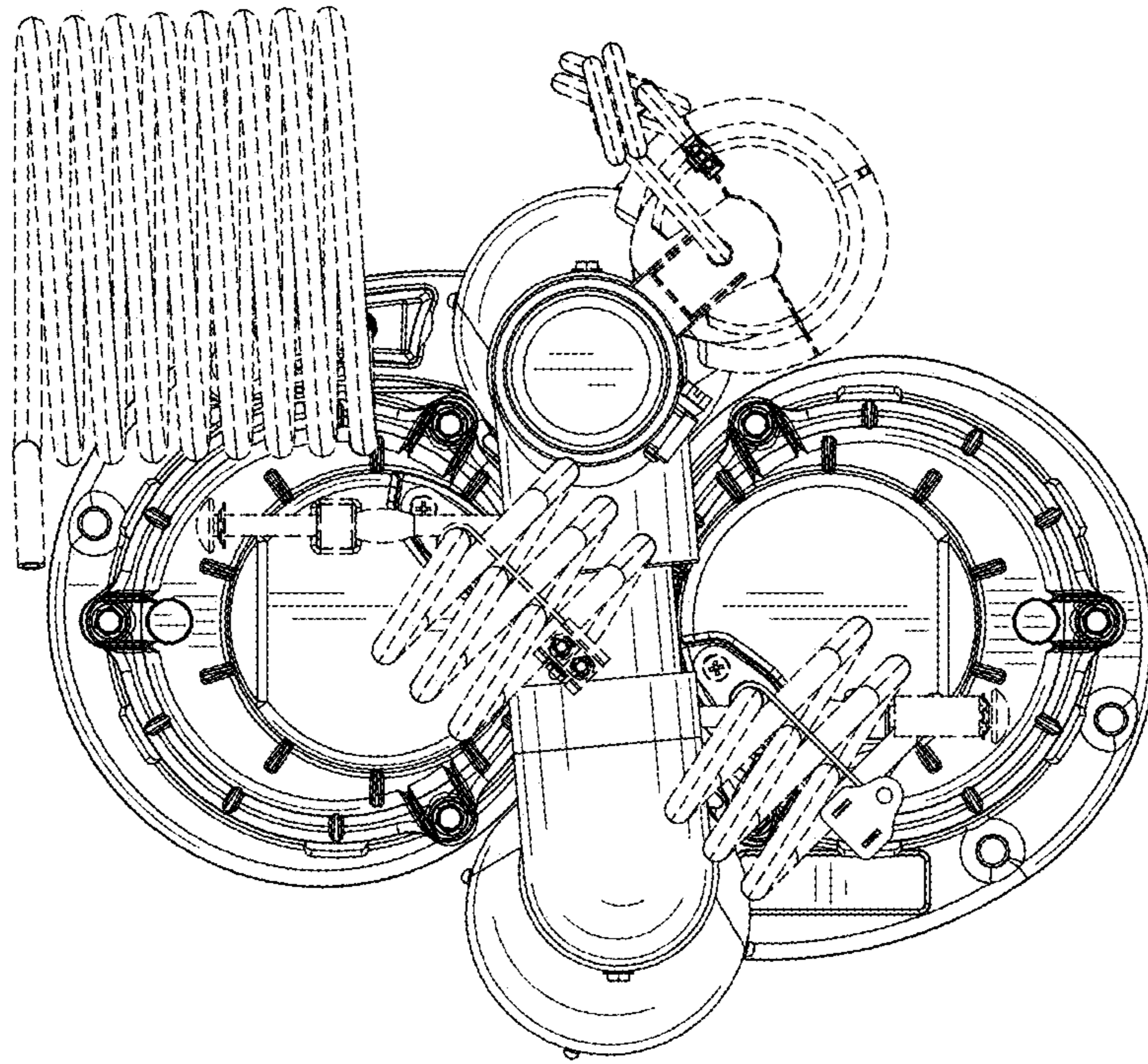


FIG. 6

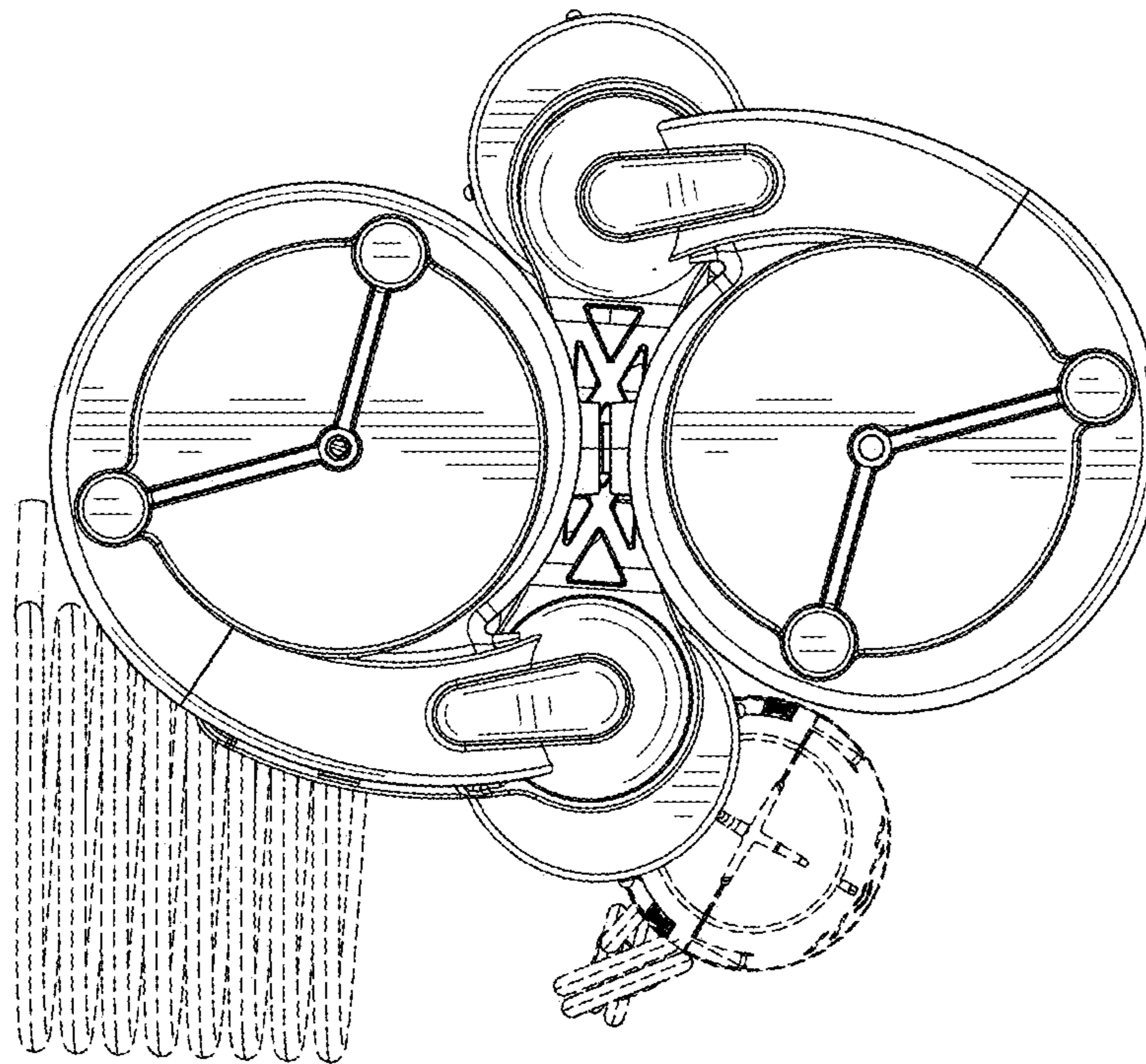


FIG. 7

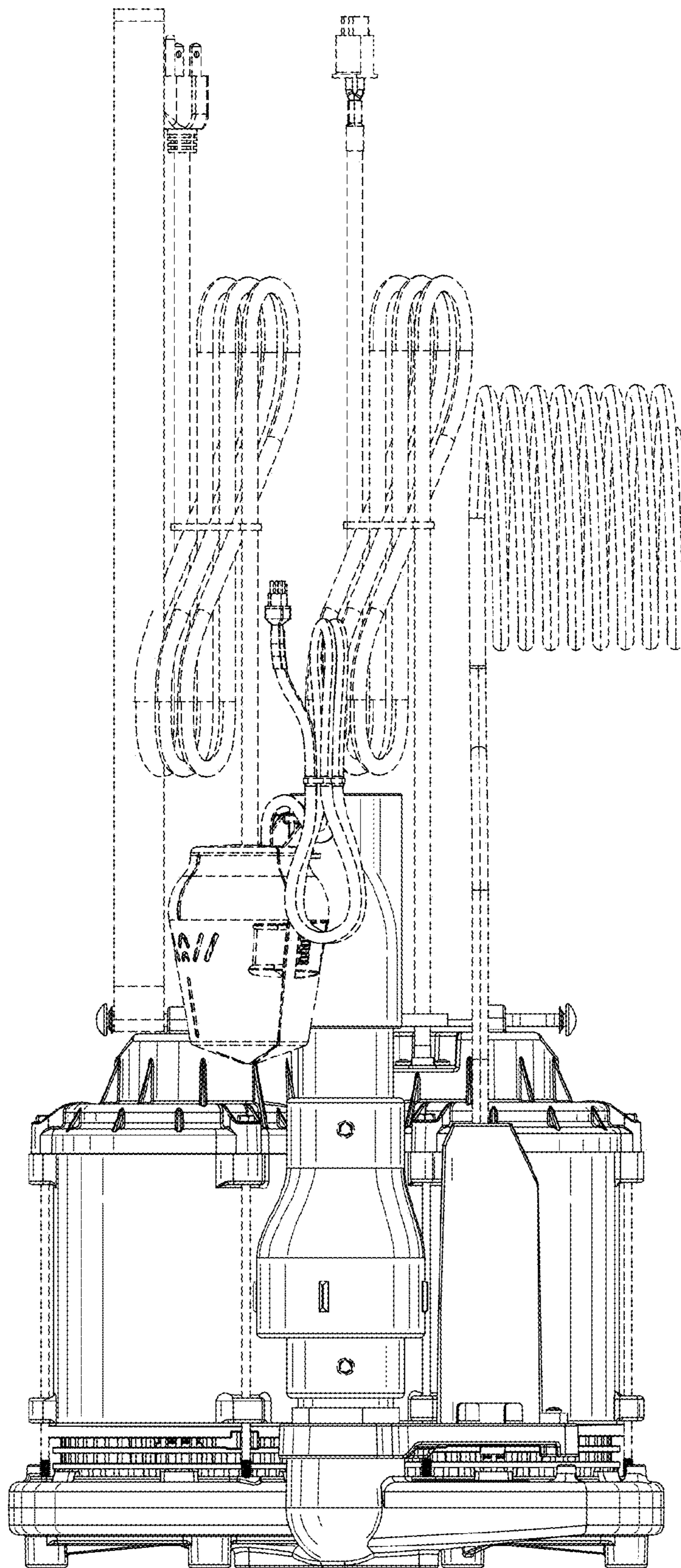


FIG. 8

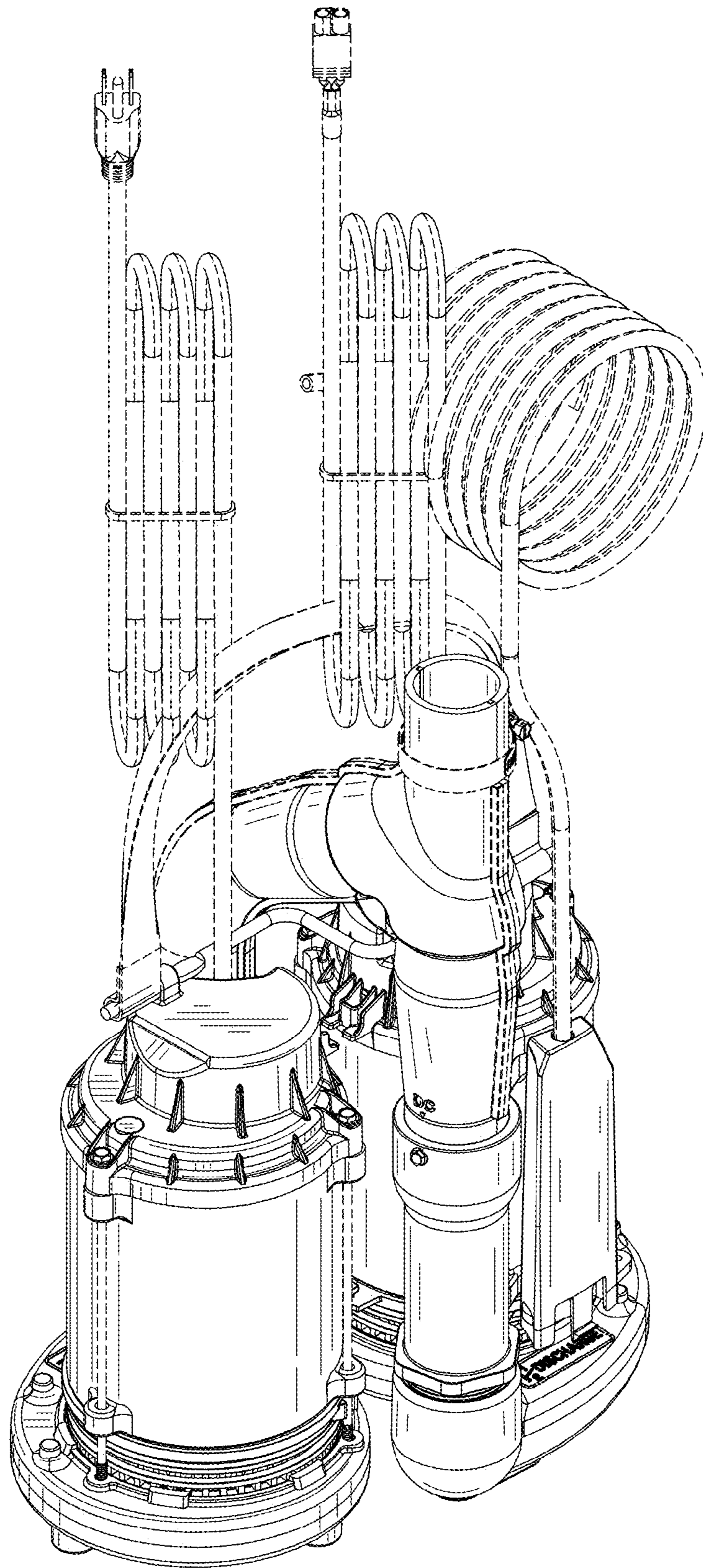


FIG. 9

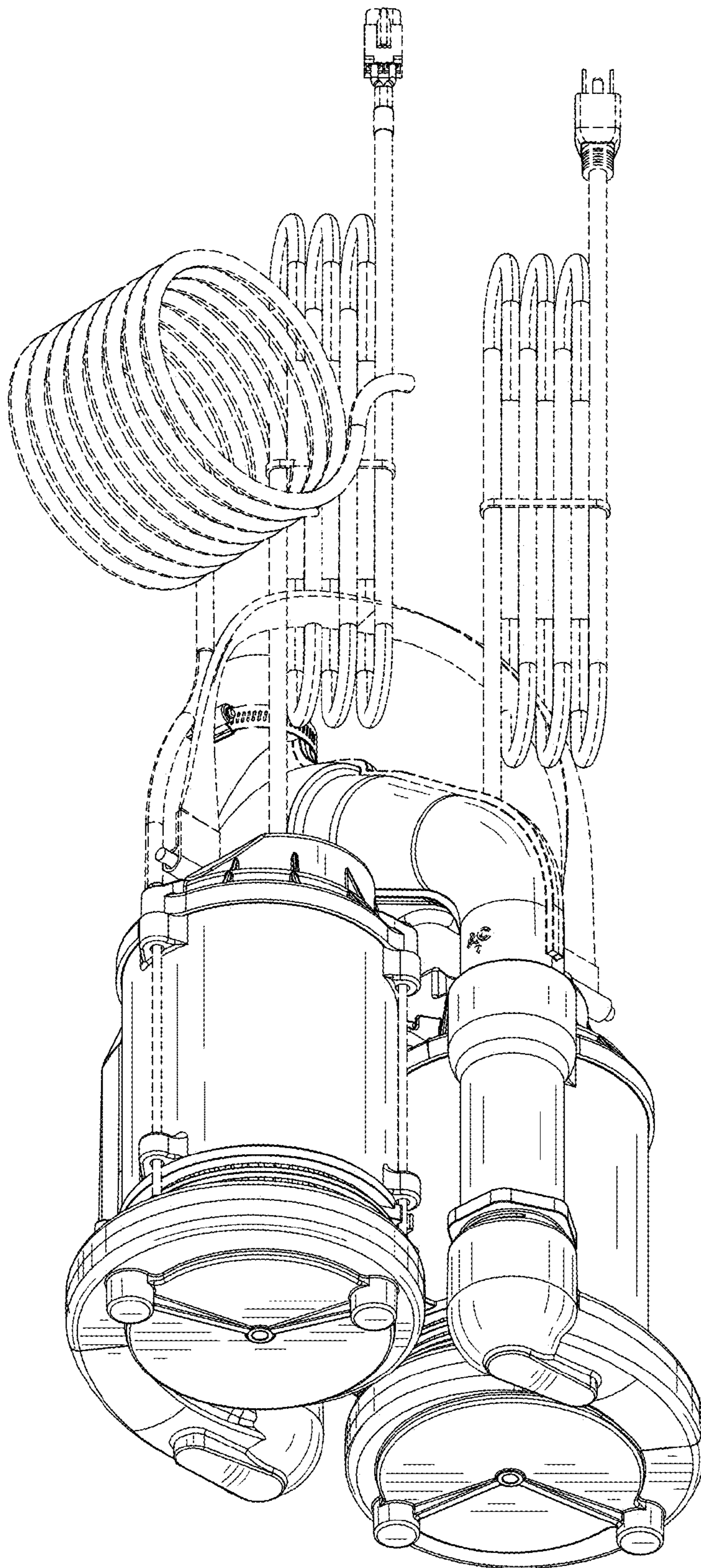


FIG. 10

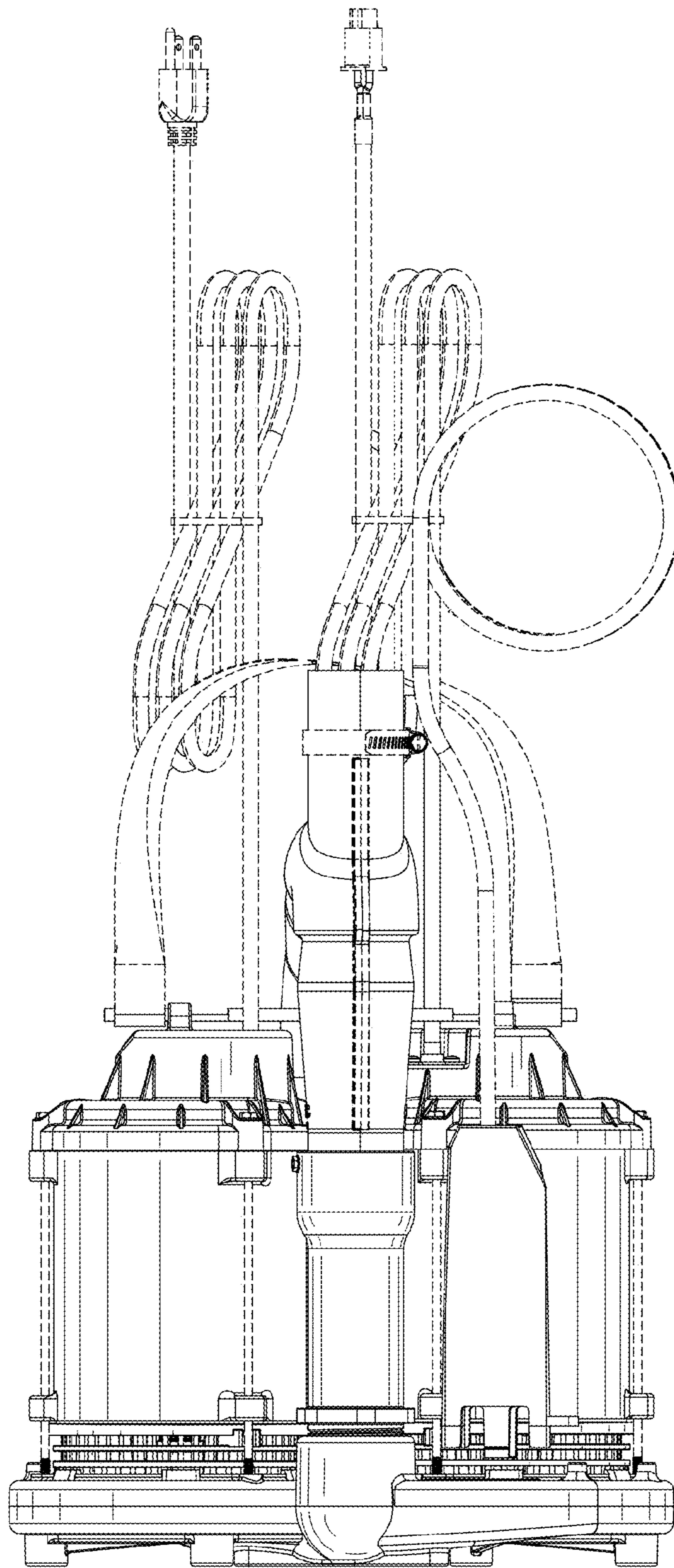


FIG. 11

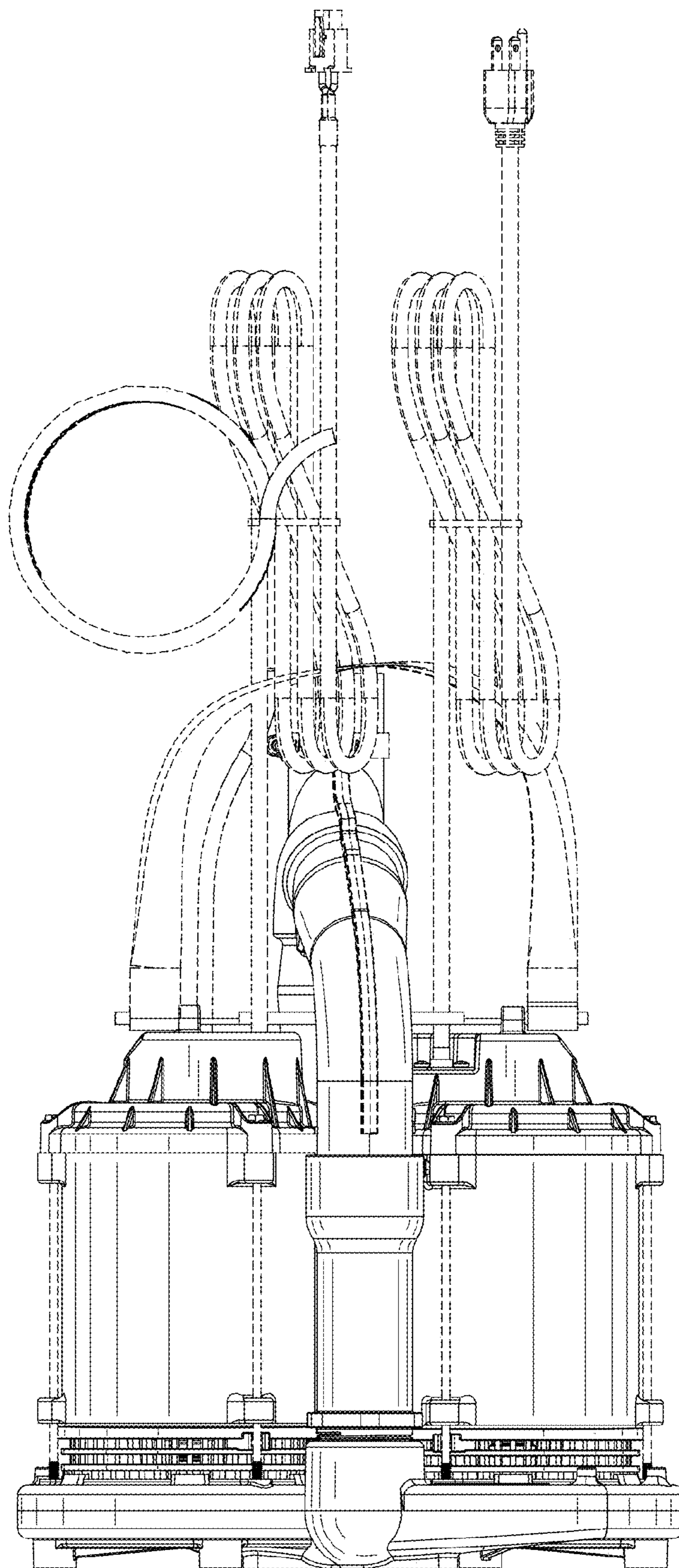


FIG. 12

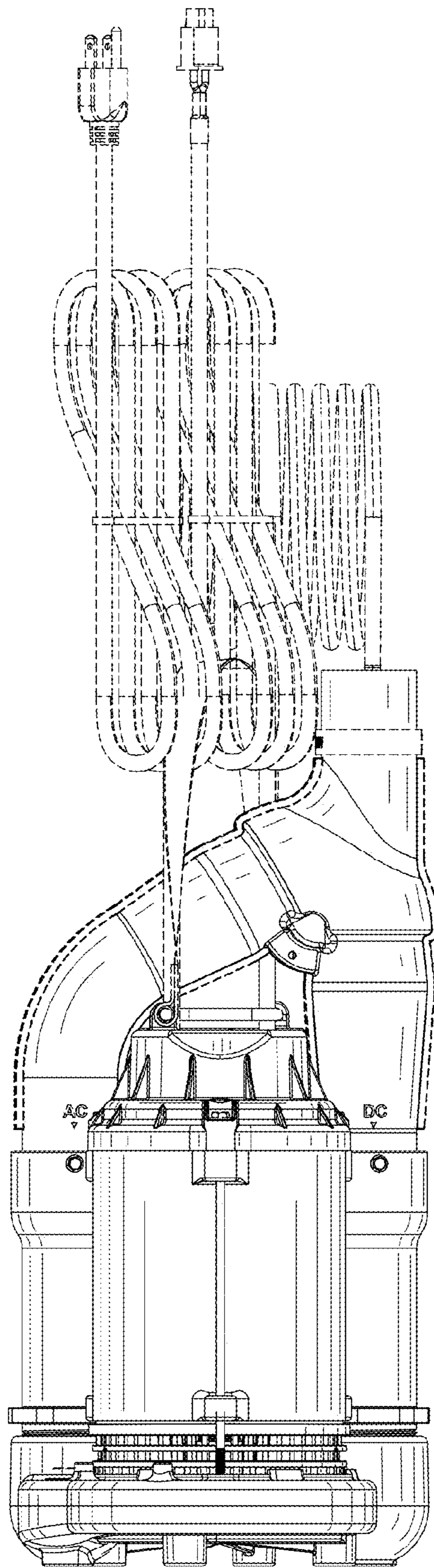


FIG. 13

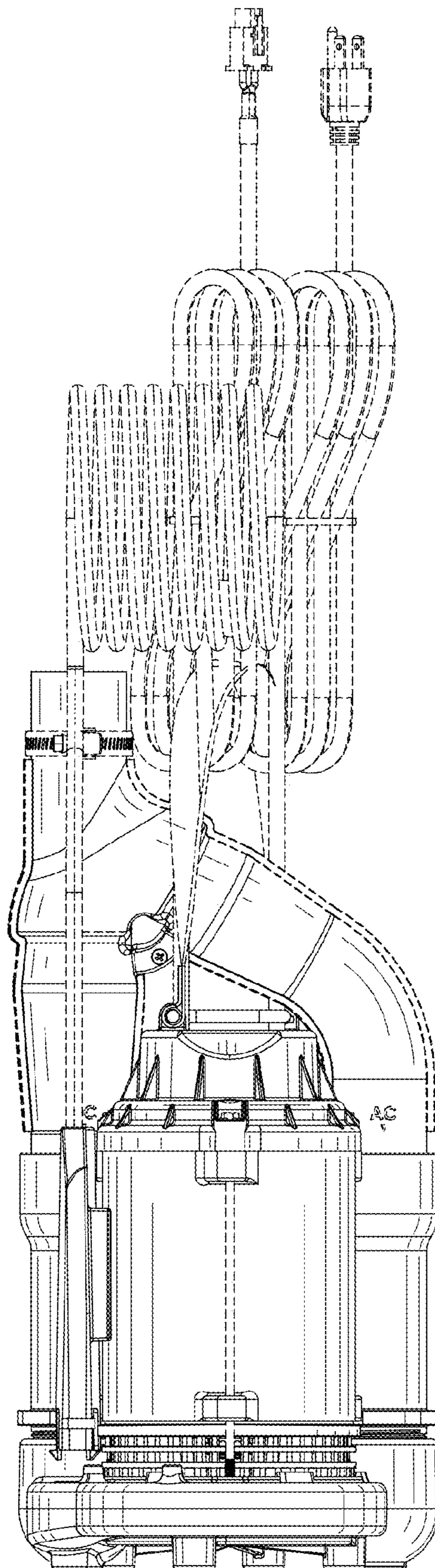


FIG. 14

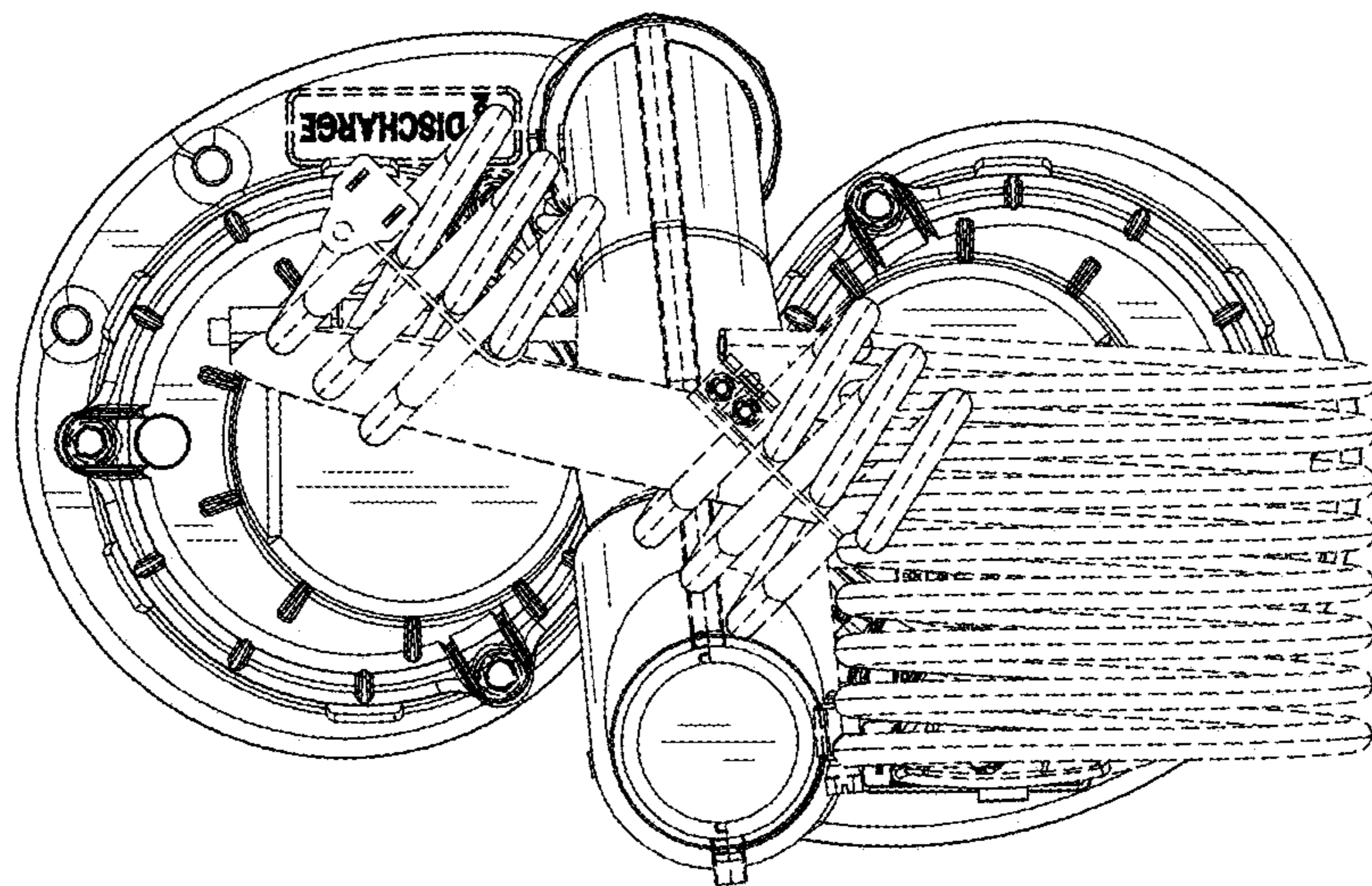


FIG. 15

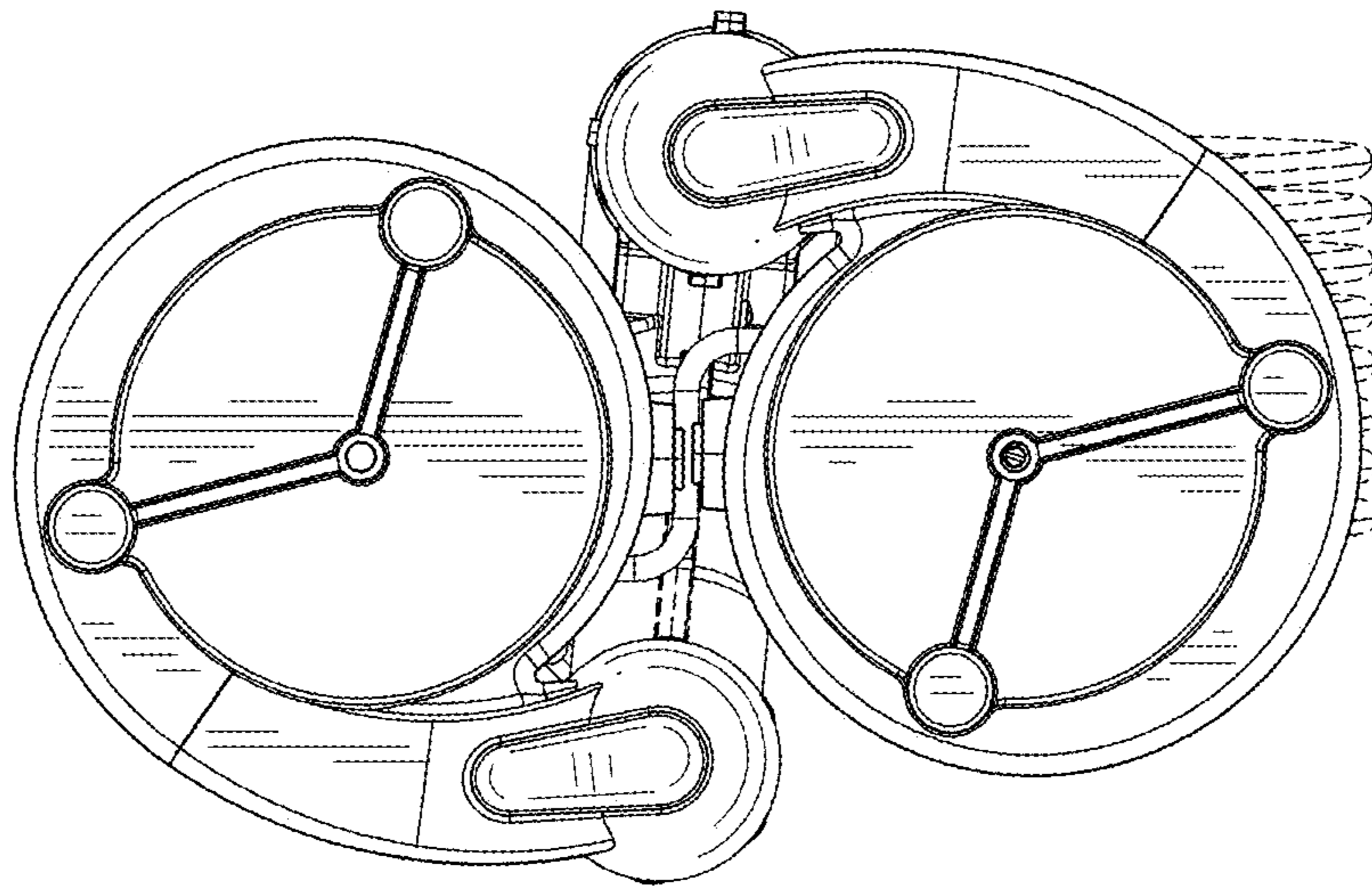


FIG. 16