

US00D893549S

(12) **United States Design Patent** (10) **Patent No.:** **US D893,549 S**
Dedonato et al. (45) **Date of Patent:** **** Aug. 18, 2020**

(54) **DISPLAY PANEL OR PORTION THEREOF WITH A TRANSITIONAL MIXED REALITY GRAPHICAL USER INTERFACE**

(71) Applicant: **MAGIC LEAP, INC.**, Plantation, FL (US)

(72) Inventors: **Amy Dedonato**, Plantation, FL (US); **Lorena Pazmino**, Wilton Manors, FL (US); **Yan Xu**, Plantation, FL (US); **Marc Coleman Shelton**, Fort Lauderdale, FL (US); **James M. Powderly**, Fort Lauderdale, FL (US); **Dylan Nathan**, Los Angeles, CA (US); **Li Chin Lin**, Plantation, FL (US)

(73) Assignee: **Magic Leap, Inc.**, Plantation, FL (US)

(**) Term: **15 Years**

(21) Appl. No.: **29/723,219**

(22) Filed: **Feb. 5, 2020**

Related U.S. Application Data

(62) Division of application No. 29/640,711, filed on Mar. 16, 2018, now Pat. No. Des. 878,420.

(51) **LOC (12) Cl.** **14-04**

(52) **U.S. Cl.**
USPC **D14/495**

(58) **Field of Classification Search**
USPC D14/485-495
CPC G06F 3/048; G06F 3/0481; G06F 3/04812; G06F 3/04817; G06F 3/0482; G06F 3/0483; G06F 3/0484; G06F 3/04847; G06F

(Continued)

(56) **References Cited**

U.S. PATENT DOCUMENTS

D627,791 S * 11/2010 Lamb D14/489
D669,499 S 10/2012 Gardner et al.

(Continued)

OTHER PUBLICATIONS

“Virtual Reality.” iconfinder.com. Added Jun. 22, 2018. Accessed Apr. 7, 2020. Available online at URL: <https://www.iconfinder.com/iconsets/virtual-reality-40> (Year: 2018).*

(Continued)

Primary Examiner — Cathron C Brooks

Assistant Examiner — Christian P. McLean

(74) *Attorney, Agent, or Firm* — Vista IP Law Group, LLP

(57) **CLAIM**

The ornamental design for a display panel or portion thereof with a transitional mixed reality graphical user interface, as shown and described.

DESCRIPTION

FIG. 1 is a front view of a display panel or portion thereof with a transitional mixed reality graphical user interface showing a first image in a sequence of our design;

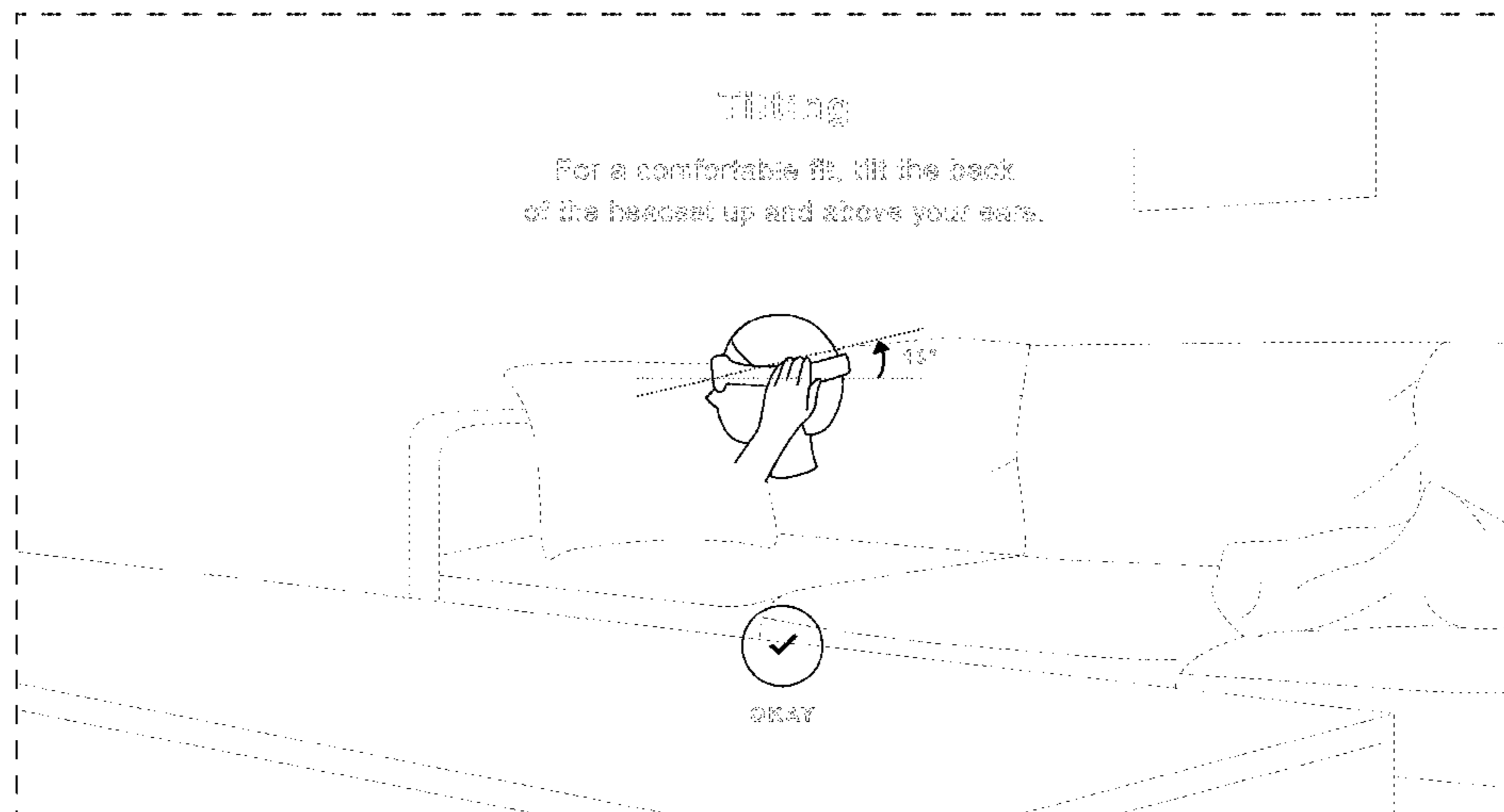
FIG. 2 is a front view of a display panel or portion thereof with a transitional mixed reality graphical user interface showing a second image in the sequence thereof; and,

FIG. 3 is a front view of a display panel or portion thereof with a transitional mixed reality graphical user interface showing a third image in the sequence thereof.

The appearance of the image sequentially transitions between the images shown in FIGS. 1 through 3. The process or period in which one image transitions into another forms no part of the claimed design.

The outermost broken line rectangle illustrates a display panel or portion thereof that forms no part of the claimed design. The remaining broken lines illustrate portions of a graphical user interface or a mixed reality environment, and form no part of the claimed design.

1 Claim, 3 Drawing Sheets



(58) **Field of Classification Search**

CPC 3/0485; G06F 3/04855; G06F 3/04886;
 G06Q 30/00; H03J 1/00; H03J 1/0008;
 H03J 1/0016; H03J 1/0025; H04N 5/00;
 H04N 5/08; H04N 5/14; H04N 5/222;
 H04N 5/225; H04N 5/232; H04N 5/445;
 H04N 5/44543; H04N 5/45; H04N
 2005/44517; H04N 2005/44521; H04N
 2005/44526; H04N 2005/4453; H04N
 2005/44534; H04N 2005/44539; H04N
 2005/44547; H04N 2005/44556; H04N
 2005/4456; H04N 2005/44565; H04N
 2005/44569; H04N 2005/44573; H04N
 21/00; H04N 21/234; H04N 21/431;
 H04N 21/4312; H04N 21/4314; H04N
 21/4316

See application file for complete search history.

D848,466 S 5/2019 Mizono et al.
 D849,037 S 5/2019 Li et al.
 D857,713 S 8/2019 Anzures et al.
 D857,750 S 8/2019 Rowe et al.
 D858,577 S 9/2019 Coffman et al.
 D867,395 S * 11/2019 Kim D14/492
 D868,108 S * 11/2019 Dedonato D14/492
 10,516,879 B2 * 12/2019 Eash H04N 13/383
 D874,478 S * 2/2020 Pazmino D14/485
 D879,141 S * 3/2020 Voiles D14/489
 D879,142 S * 3/2020 Voiles D14/489
 2015/0135138 A1 5/2015 Reichert
 2015/0205126 A1 * 7/2015 Schowengerdt G06K 9/0061
 345/633
 2016/0306442 A1 10/2016 Lee et al.
 2017/0322623 A1 * 11/2017 McKenzie G06F 3/013
 2018/0091629 A1 * 3/2018 de la Pena G06F 3/013
 2018/0095635 A1 * 4/2018 Valdivia G06F 3/04842

(56) **References Cited**

U.S. PATENT DOCUMENTS

D684,190 S * 6/2013 Ridl D14/491
 D717,310 S 11/2014 Fino
 D731,552 S * 6/2015 Seo D14/495
 D740,304 S * 10/2015 MacLean D14/485
 D760,792 S 7/2016 Liu et al.
 D761,277 S 7/2016 Harvell
 D768,150 S * 10/2016 Shin D14/485
 D772,249 S 11/2016 Choi et al.
 9,529,195 B2 * 12/2016 Osterhout G02B 27/0172
 D777,785 S 1/2017 Kim et al.
 D789,974 S 1/2017 Guo et al.
 D782,502 S * 3/2017 Wu D14/485
 D783,672 S 4/2017 Rajasankar et al.
 9,619,941 B2 * 4/2017 Ueno G02B 27/0172
 D785,658 S 5/2017 Moroney et al.
 D799,547 S * 10/2017 Havranek, Jr. D14/495
 D802,615 S * 11/2017 Zhao D14/486
 D803,877 S 11/2017 Wan
 D808,420 S * 1/2018 Anzures D14/488
 D827,662 S 9/2018 Fleischmann et al.
 D837,228 S * 1/2019 Chaudhri D14/485
 D837,807 S 1/2019 Baber et al.
 10,275,902 B2 * 4/2019 Bradski G06K 9/00617

OTHER PUBLICATIONS

Do, Minh. “Virtual Reality—Glyph.” iconfinder.com. Added Nov. 16, 2017. Accessed Apr. 7, 2020. Available online at URL: <https://www.iconfinder.com/iconsets/virtual-reality-26> (Year: 2017).*

“Picons Basic 2—Pt 1.” iconfinder.com. Added Jun. 7, 2013. Accessed Oct. 24, 2019. Available online at URL: <https://www.iconfinder.com/iconsets/picons-basic-2> (Year: 2013).

Leblanc, Martin. “Interaction Design.” iconfinder.com. Added Mar. 19, 2013. Accessed Oct. 24, 2019. Available online at URL: <https://www.iconfinder.com/iconsets/interaction-design> (Year: 2013).

Notice of Allowance for U.S. Appl. No. 29/723,223 dated Apr. 23, 2020.

Menard, Guilheim. “Virtual Reality—Outline Bold.” iconfinder.com. Added Oct. 14, 2016. Accessed Apr. 17, 2020. Available online at URL: <https://www.iconfinder.com/iconsets/virtual-reality-outline-bold> (Year: 2016).

“VR Set Line.” iconfinder.com. Added Jun. 18, 2017. Accessed Apr. 4/7/2020. Available online at URL: <https://www.iconfinder.com/iconsets/vr-set-line> (Year: 2017).

Notice of Allowance for U.S. Appl. No. 29/723,230 dated Apr. 21, 2020.

* cited by examiner

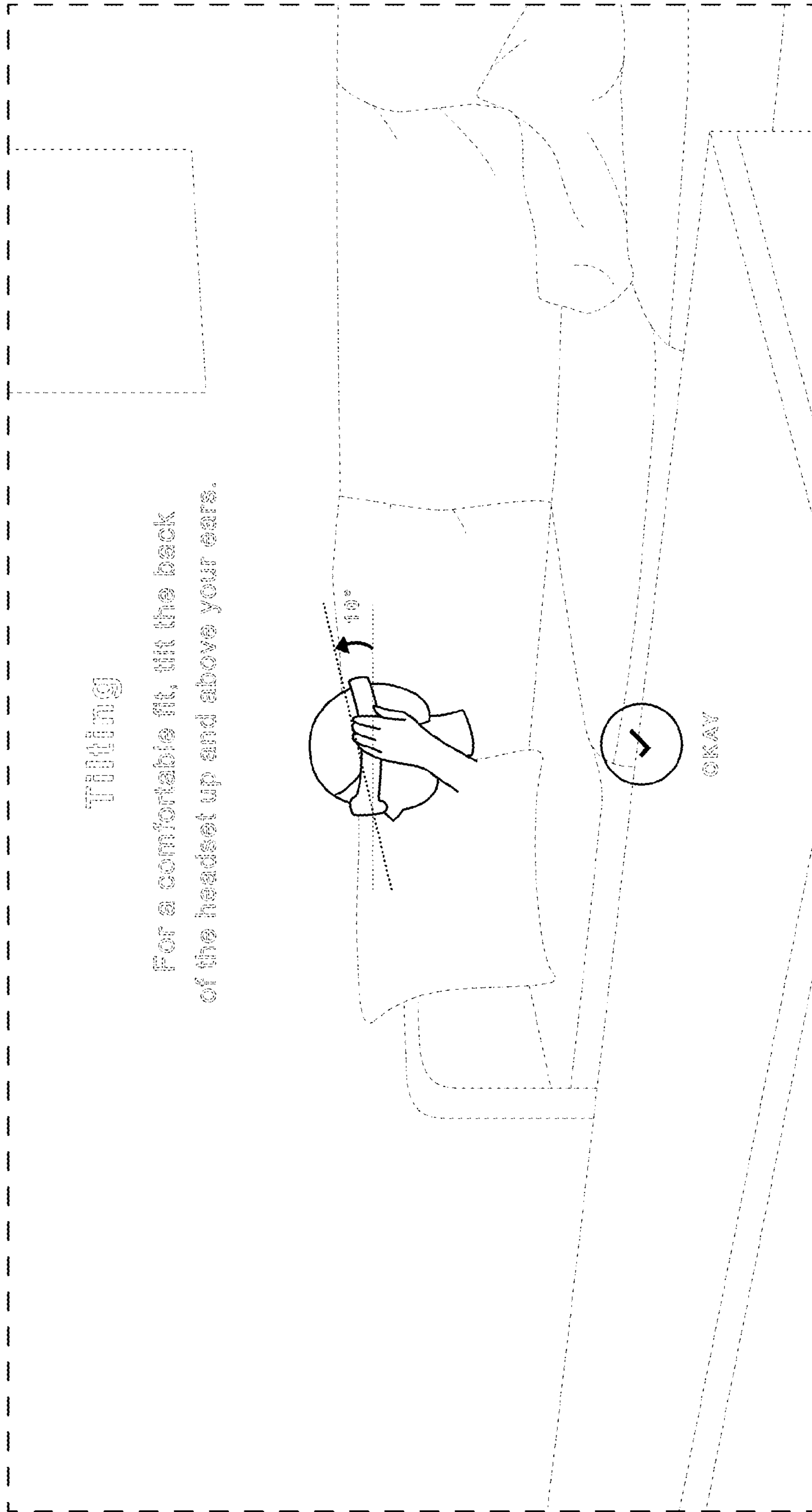


FIG. 1

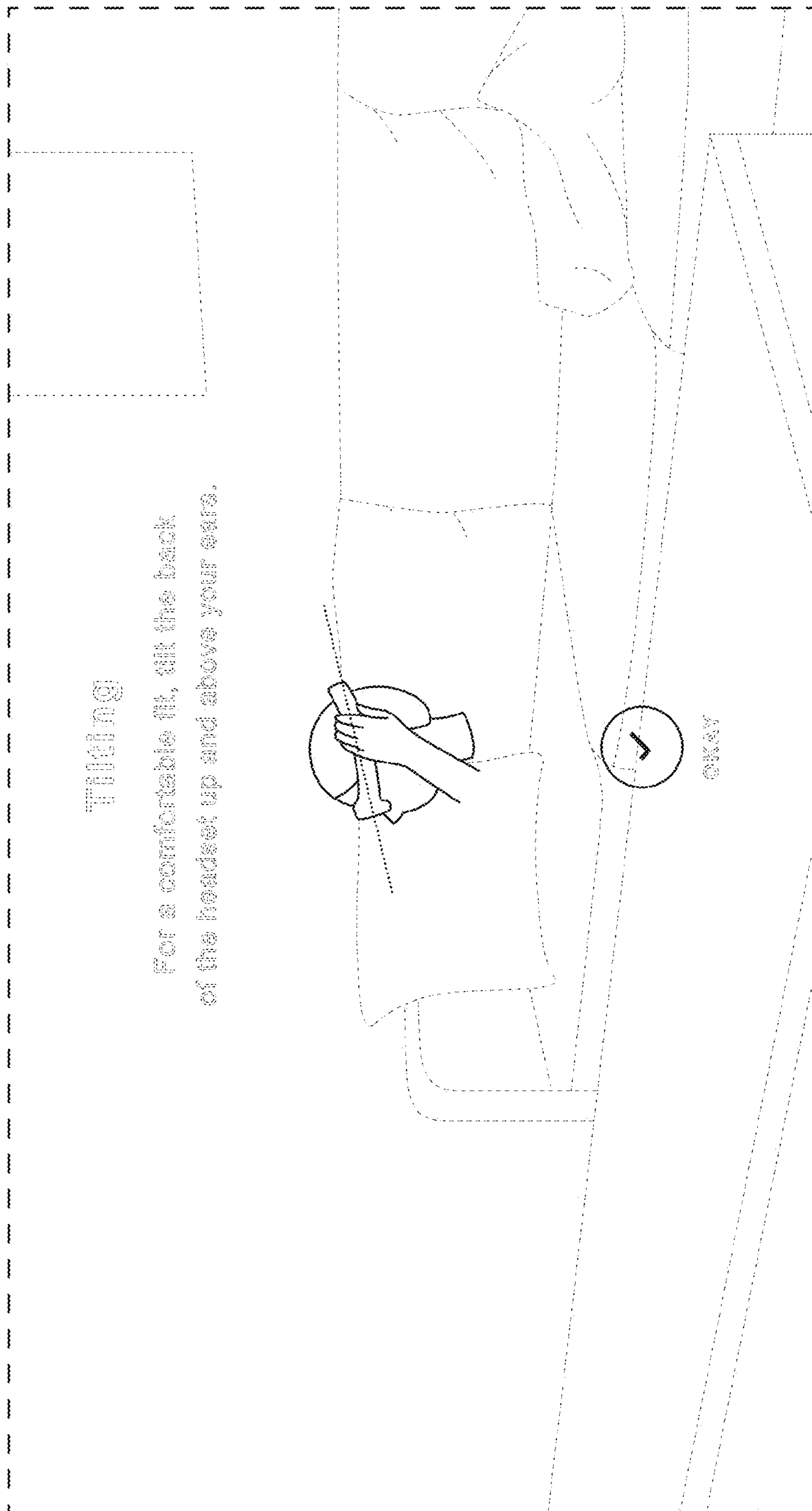


FIG. 2

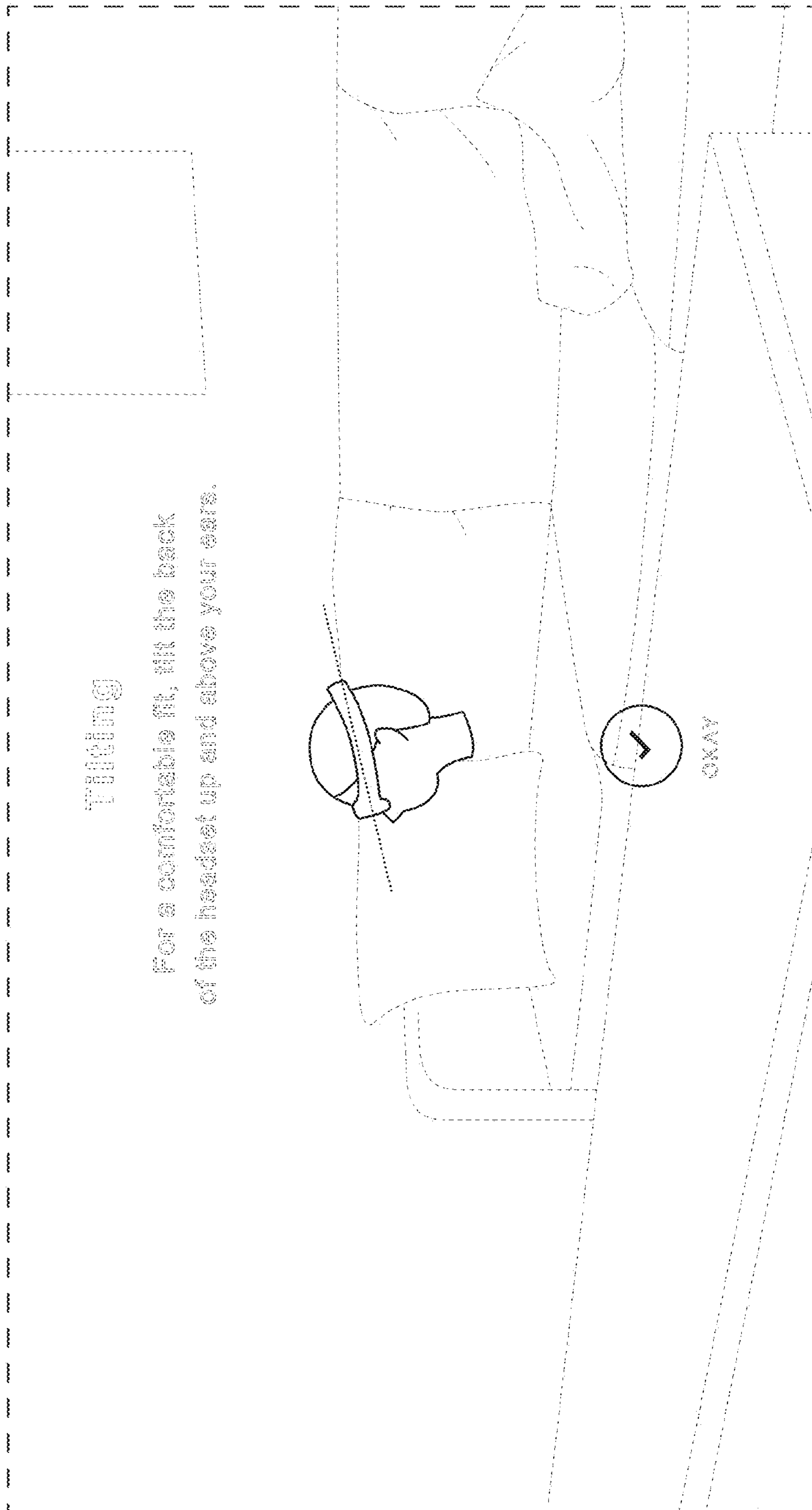


FIG. 3