

US00D893542S

(12) **United States Design Patent**
Richardson

(10) **Patent No.:** **US D893,542 S**

(45) **Date of Patent:** **** Aug. 18, 2020**

(54) **DISPLAY SCREEN OR PORTION THEREOF WITH AN ANIMATED GRAPHICAL USER INTERFACE**

(71) Applicant: **Helixaeon Inc**, Boulder, CO (US)

(72) Inventor: **Daniel Patrick Richardson**, Boulder, CO (US)

(73) Assignee: **Helixaeon, Inc.**, Boulder, CO (US)

(**) Term: **15 Years**

(21) Appl. No.: **29/694,872**

(22) Filed: **Jun. 13, 2019**

Related U.S. Application Data

(62) Division of application No. 29/624,381, filed on Oct. 31, 2017, now Pat. No. Des. 856,366.

(51) **LOC (12) Cl.** **14-04**

(52) **U.S. Cl.**
USPC **D14/488**

(58) **Field of Classification Search**
USPC D14/485-95
CPC .. G06F 3/0481; G06F 3/0482; G06F 3/04812; G06F 3/04817; G06F 3/0484; G06F 3/0485; G06F 3/048; G06F 3/0487; G06F 3/0488; G06F 3/04883; G06F 3/04886; G06F 3/0489
See application file for complete search history.

(56) **References Cited**

U.S. PATENT DOCUMENTS

- D627,360 S * 11/2010 Aarseth D14/485
- D759,077 S * 6/2016 Bergmann D14/486
- D761,812 S * 7/2016 Motamedi D14/485
- D762,230 S * 7/2016 Kaplan D14/486
- D762,660 S * 8/2016 Butcher D14/485

- D763,871 S * 8/2016 Yang D14/485
- D763,877 S * 8/2016 Yu G06F 3/04817 D14/485
- D763,910 S * 8/2016 Drozd D14/485
- D764,493 S * 8/2016 Sanderson D14/485
- D765,091 S * 8/2016 Del Lima D14/485
- D765,674 S * 9/2016 Kim D14/485
- D771,064 S * 11/2016 Nuovo D14/485
- D771,076 S * 11/2016 Butcher D14/485
- D776,680 S * 1/2017 Bae D14/485
- D777,735 S * 1/2017 Kim D14/485
- D781,299 S * 3/2017 Yun D14/485
- D781,878 S * 3/2017 Butcher D14/485
- D781,879 S * 3/2017 Butcher D14/485
- D784,363 S * 4/2017 Fleming D14/485
- D785,658 S * 5/2017 Moroney D14/486
- D786,278 S * 5/2017 Motamedi D14/485
- D804,494 S * 12/2017 Bombolowsky D14/485

(Continued)

Primary Examiner — Melanie H Tung

(74) *Attorney, Agent, or Firm* — Duft & Bornsen, PC

(57) **CLAIM**

The ornamental design for a display screen or portion thereof with an animated graphical user interface, as shown and described.

DESCRIPTION

FIG. 1 is a front view of a display screen or portion thereof with an animated graphical user interface showing a first image in the sequence showing the new design.

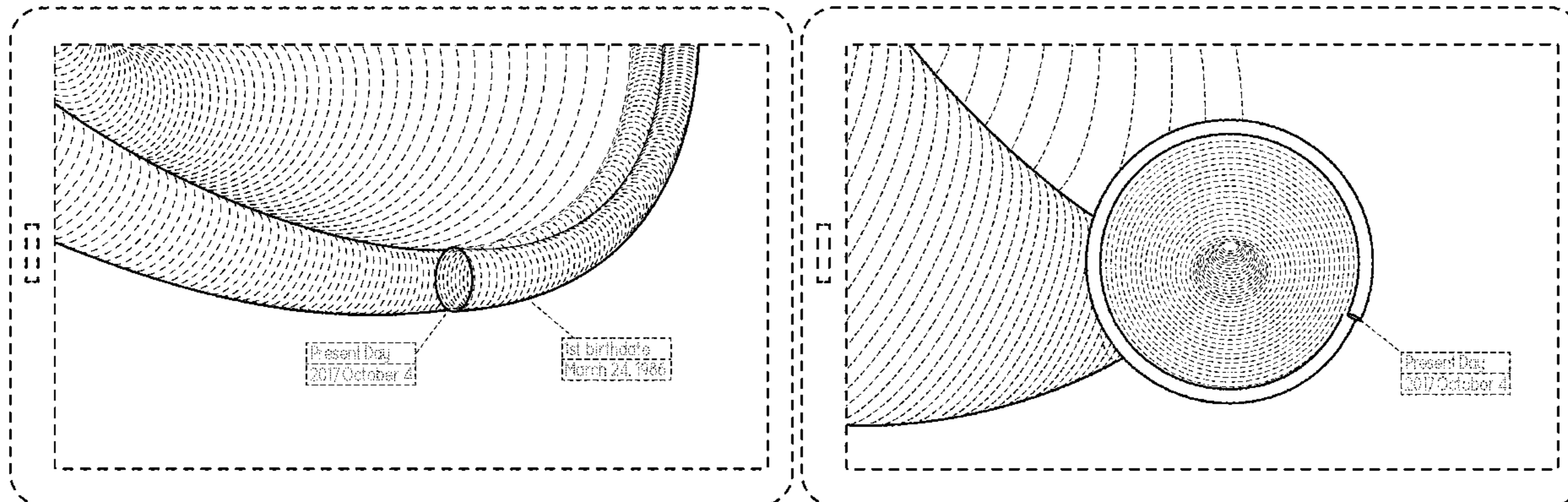
FIG. 2 is a second image thereof; and,

FIG. 3 is a third image thereof.

The broken lines in the FIGS. showing display screens, portions of display screens, text, and graphical elements form no part of the claimed design.

The appearance of the animated images sequentially transitions between the images shown in FIGS. 1-3. The process or period in which one image transitions to another image forms no part of the claimed design.

1 Claim, 3 Drawing Sheets



(56)

References Cited

U.S. PATENT DOCUMENTS

D821,410 S * 6/2018 Vinna D14/485
D835,665 S * 12/2018 Kimura D14/488

* cited by examiner

FIG. 1

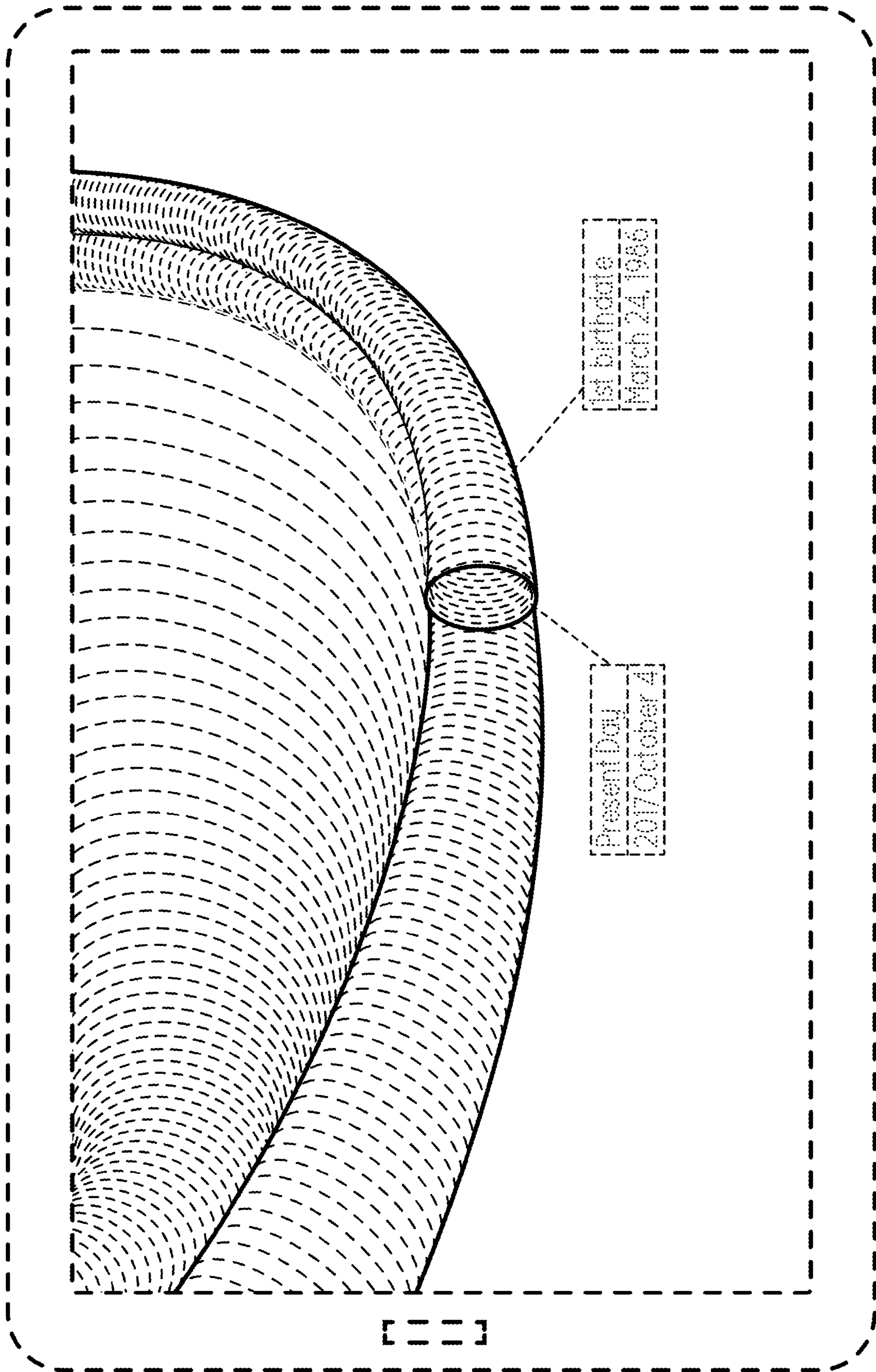


FIG. 2

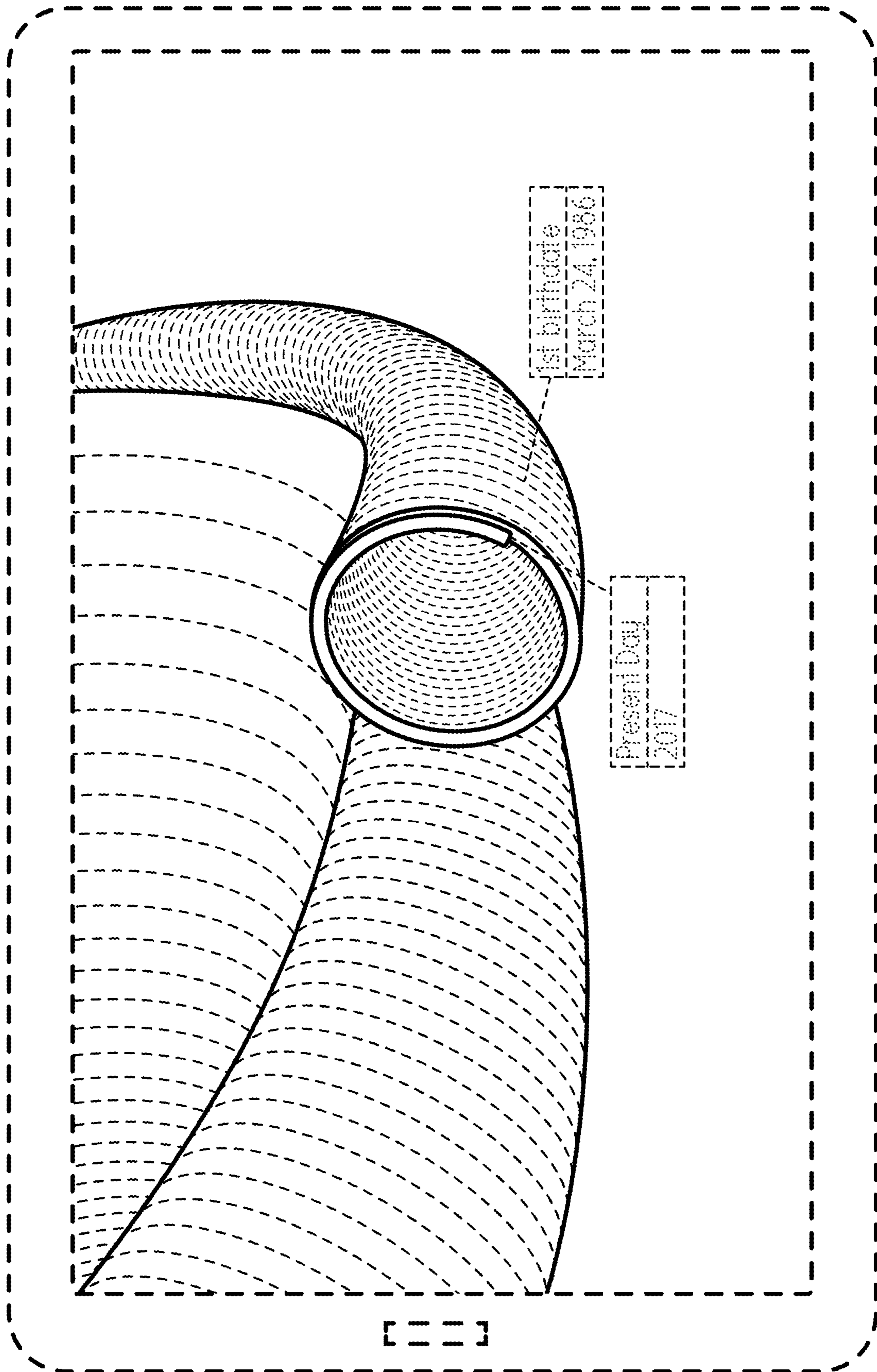


FIG. 3

