

US00D893519S

(12) **United States Design Patent**  
**Aketa et al.**

(10) **Patent No.:** **US D893,519 S**

(45) **Date of Patent:** **\*\* Aug. 18, 2020**

(54) **DISPLAY SCREEN WITH ANIMATED GRAPHICAL USER INTERFACE**

(71) Applicant: **FUJITSU GENERAL LIMITED**,  
Kawasaki-shi, Kanagawa (JP)

(72) Inventors: **Yasuhiro Aketa**, Kawasaki (JP);  
**Yasuharu Kawamura**, Kawasaki (JP)

(73) Assignee: **FUJITSU GENERAL LIMITED**,  
Takatsu-ku, Kawasaki (JP)

(\*\*) Term: **15 Years**

(21) Appl. No.: **29/687,619**

(22) Filed: **Apr. 15, 2019**

(30) **Foreign Application Priority Data**

Oct. 15, 2018 (JP) ..... 2018-022604

(51) **LOC (12) Cl.** ..... **14-04**

(52) **U.S. Cl.**  
USPC ..... **D14/485**

(58) **Field of Classification Search**  
USPC ..... D14/485-495  
CPC .... G06F 3/048; G06F 3/0481; G06F 3/04842;  
G06T 13/80; G06T 15/02  
See application file for complete search history.

(56) **References Cited**

**U.S. PATENT DOCUMENTS**

D640,269 S *	6/2011	Chen	.....	D14/487
D661,701 S *	6/2012	Brown	.....	D14/486
D665,401 S *	8/2012	Rai	.....	D14/486
D667,419 S *	9/2012	Rai	.....	D14/486
D698,363 S *	1/2014	Asai	.....	D14/488
D707,254 S *	6/2014	Pitt	.....	D14/488
D725,134 S *	3/2015	Boettcher	.....	D14/486
D727,336 S *	4/2015	Allison	.....	D14/485

D732,062 S *	6/2015	Kwon	.....	D14/487
D743,990 S *	11/2015	Pal	.....	D14/486
D747,333 S *	1/2016	Supino	.....	D14/486
D749,118 S *	2/2016	Wang	.....	D14/487
D752,072 S *	3/2016	Song	.....	D14/486
D753,685 S *	4/2016	Zimmerman	.....	D14/486
D755,819 S *	5/2016	Gao	.....	D14/486
D756,371 S *	5/2016	Bertnick	.....	D14/485
D761,290 S *	7/2016	Chen	.....	D14/486
D761,801 S *	7/2016	Rickes	.....	G06F 3/04817 D14/485
D771,103 S *	11/2016	Eder	.....	D14/486
D772,900 S *	11/2016	Kim	.....	D14/486
D773,492 S *	12/2016	Ahdritz	.....	D14/486
D775,642 S *	1/2017	Gao	.....	D14/486
D776,130 S *	1/2017	Contreras	.....	D14/485
D777,177 S *	1/2017	Chen	.....	D14/485
D778,284 S *	2/2017	Dahlen	.....	D14/485
D781,339 S *	3/2017	Li	.....	D14/487
D781,877 S *	3/2017	Ko	.....	D14/485

(Continued)

*Primary Examiner* — Daniel J Domino

(74) *Attorney, Agent, or Firm* — Sughrue Mion, PLLC

(57) **CLAIM**

The ornamental design for a display screen with animated graphical user interface, as shown and described.

**DESCRIPTION**

FIG. 1 is a front view of a first image of a display screen with animated graphical user interface showing our new design; and,

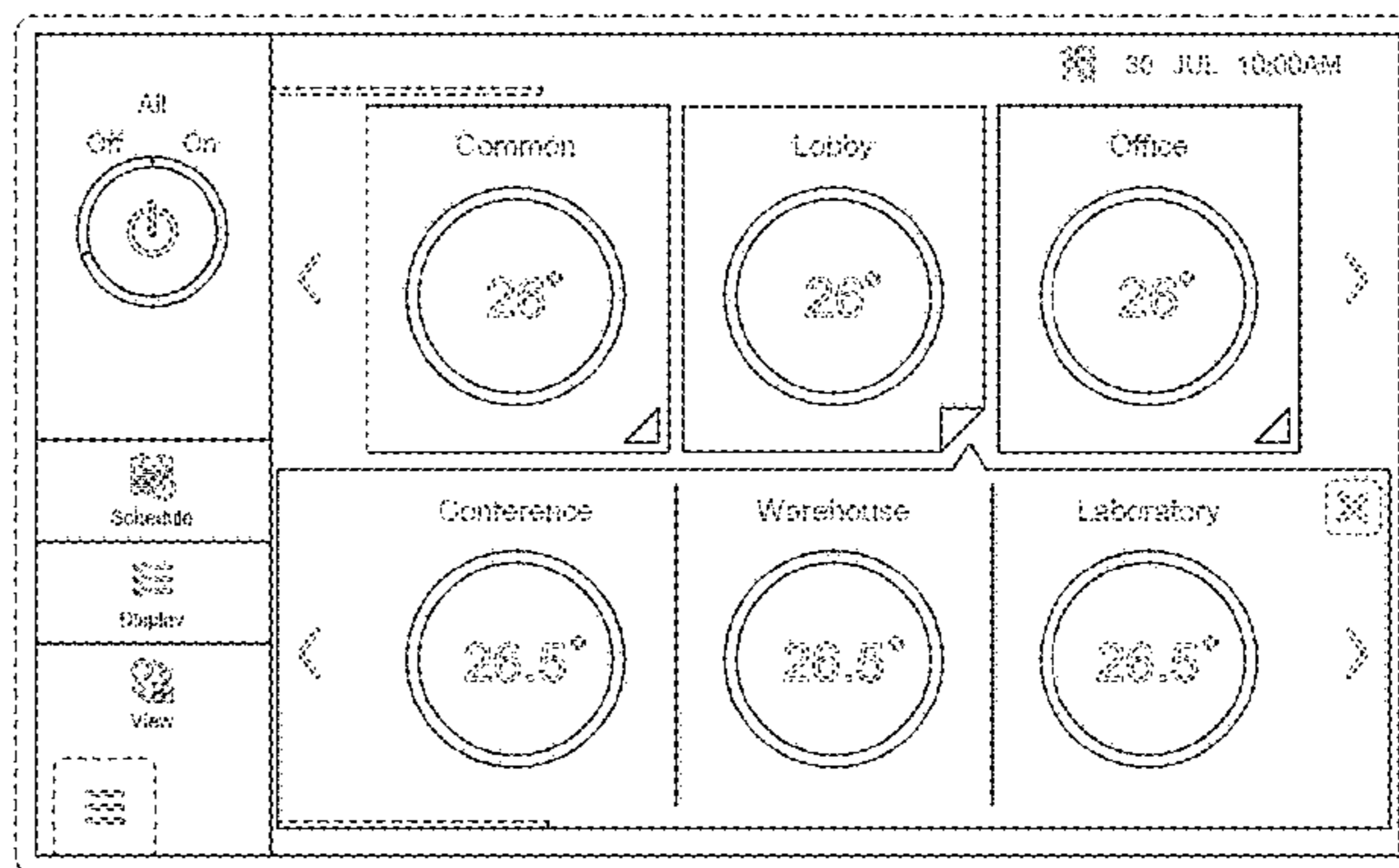
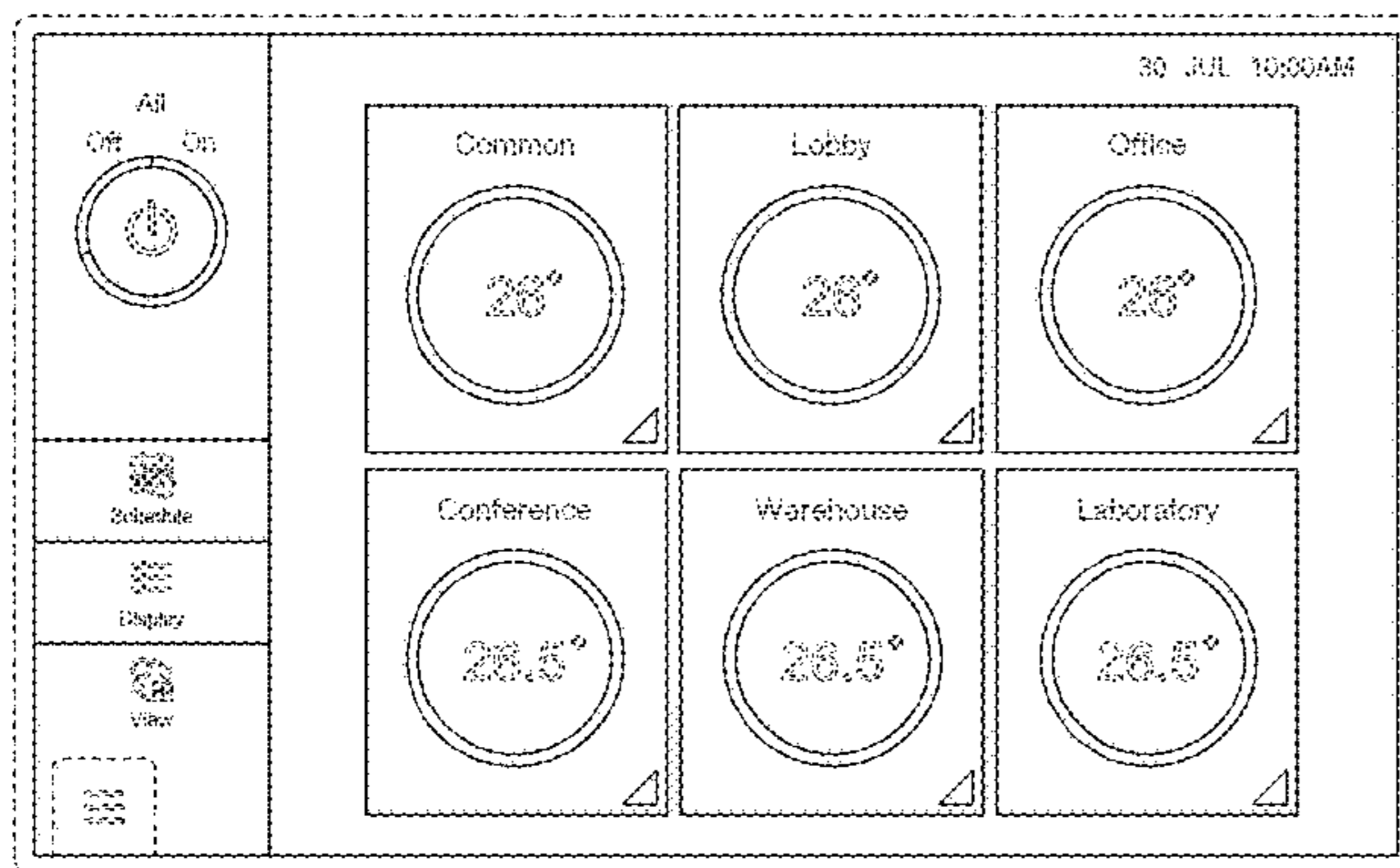
FIG. 2 is a front view of a second image thereof.

The broken lines shown represent unclaimed subject matter of display screen with animated graphical user interface and form no part of the claimed design.

The appearance of the transitional image sequentially transitions between the images shown in FIGS. 1-2.

The process or period in which an image transitions to another forms no part of the claimed design.

**1 Claim, 2 Drawing Sheets**



(56)

References Cited

U.S. PATENT DOCUMENTS

D781,905 S *	3/2017	Nakaguchi	D14/487	D825,597 S *	8/2018	Jann	D14/486
D782,497 S *	3/2017	Barry	D14/485	D826,966 S *	8/2018	Burton	D14/486
D783,029 S *	4/2017	Lee	D14/485	D828,374 S *	9/2018	Kolbenheyer	D14/486
D785,025 S *	4/2017	Zimmerman	D14/486	D828,844 S *	9/2018	Nobuta	D14/485
D786,274 S *	5/2017	Lee	D14/485	D829,225 S *	9/2018	Gandhi	D14/486
D786,891 S *	5/2017	Wright	D14/485	D829,235 S *	9/2018	Gangcuangco	D14/486
D792,432 S *	7/2017	Hoang	D14/486	D831,675 S *	10/2018	Bradley	D14/485
D797,120 S *	9/2017	Kim	D14/485	D831,683 S *	10/2018	Ghosh	D14/486
D797,128 S *	9/2017	Shewman	D14/485	D832,878 S *	11/2018	Blechs Schmidt	D14/486
D799,513 S *	10/2017	Ferrell	D14/486	D833,469 S *	11/2018	Coleman	D14/486
D803,851 S *	11/2017	Vazquez	D14/485	D841,673 S *	2/2019	Feit	D14/486
D804,528 S *	12/2017	Martin	D14/492	D854,549 S *	7/2019	Clifford	D14/485
D807,900 S *	1/2018	Raji	D14/485	D854,560 S *	7/2019	Field	D14/486
D808,402 S *	1/2018	Butcher	D14/485	D855,060 S *	7/2019	Krieter	D14/485
D808,414 S *	1/2018	Jungmann	D14/486	D856,354 S *	8/2019	Yun	D14/486
D809,544 S *	2/2018	Ambielli	B33Y 40/00 D14/486	D857,043 S *	8/2019	Shinozuka	D14/486
D811,425 S *	2/2018	Olsen	D14/486	D859,438 S *	9/2019	Boettcher	D14/486
D812,068 S *	3/2018	Van Every	D14/485	D860,231 S *	9/2019	Hussain	D14/486
D813,248 S *	3/2018	Burton	D14/485	D861,023 S *	9/2019	Lofberg	D14/486
D815,662 S *	4/2018	Kim	D14/487	D865,801 S *	11/2019	Smith	D14/488
D823,884 S *	7/2018	Stringham	D14/487	D866,577 S *	11/2019	Eisert	D14/486
D824,409 S *	7/2018	Harvey	D14/486	D867,380 S *	11/2019	Osthues	D14/486
D824,410 S *	7/2018	Grubbs	D14/486	D872,102 S *	1/2020	Wang	D14/485
D825,589 S *	8/2018	Sparandara	G06Q 50/24 D14/486	D872,754 S *	1/2020	Kuwata	D14/485
D825,592 S *	8/2018	Oguchi	D14/486	D877,185 S *	3/2020	Cooper	D14/488
				D881,212 S *	4/2020	McKibbon, III	D14/486
				D881,214 S *	4/2020	Zimmerman	D14/486
				D883,327 S *	5/2020	Wu	D14/489
				D886,136 S *	6/2020	Casse	D14/486
				D886,138 S *	6/2020	Nesladek	D14/486

\* cited by examiner

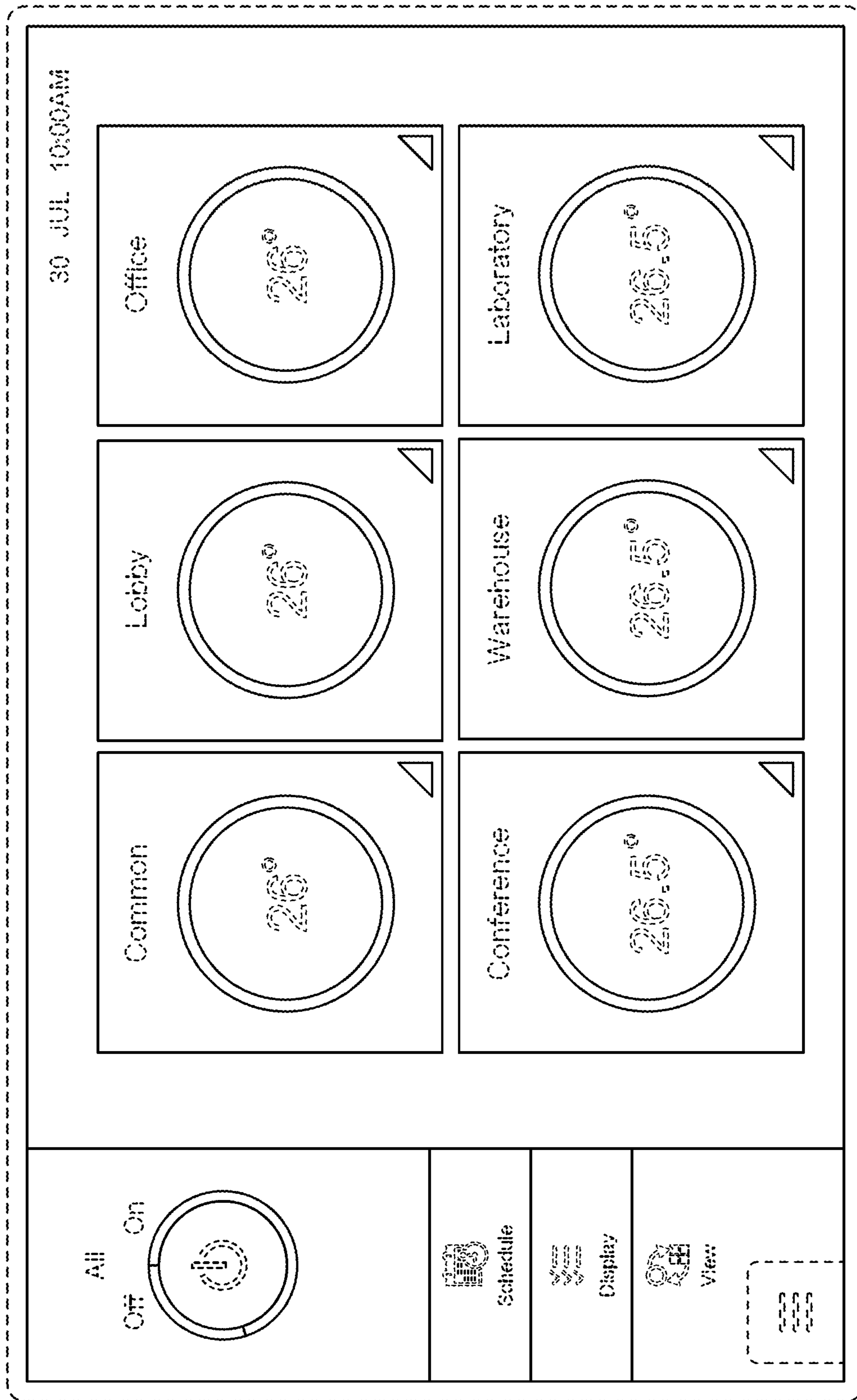


FIG. 1

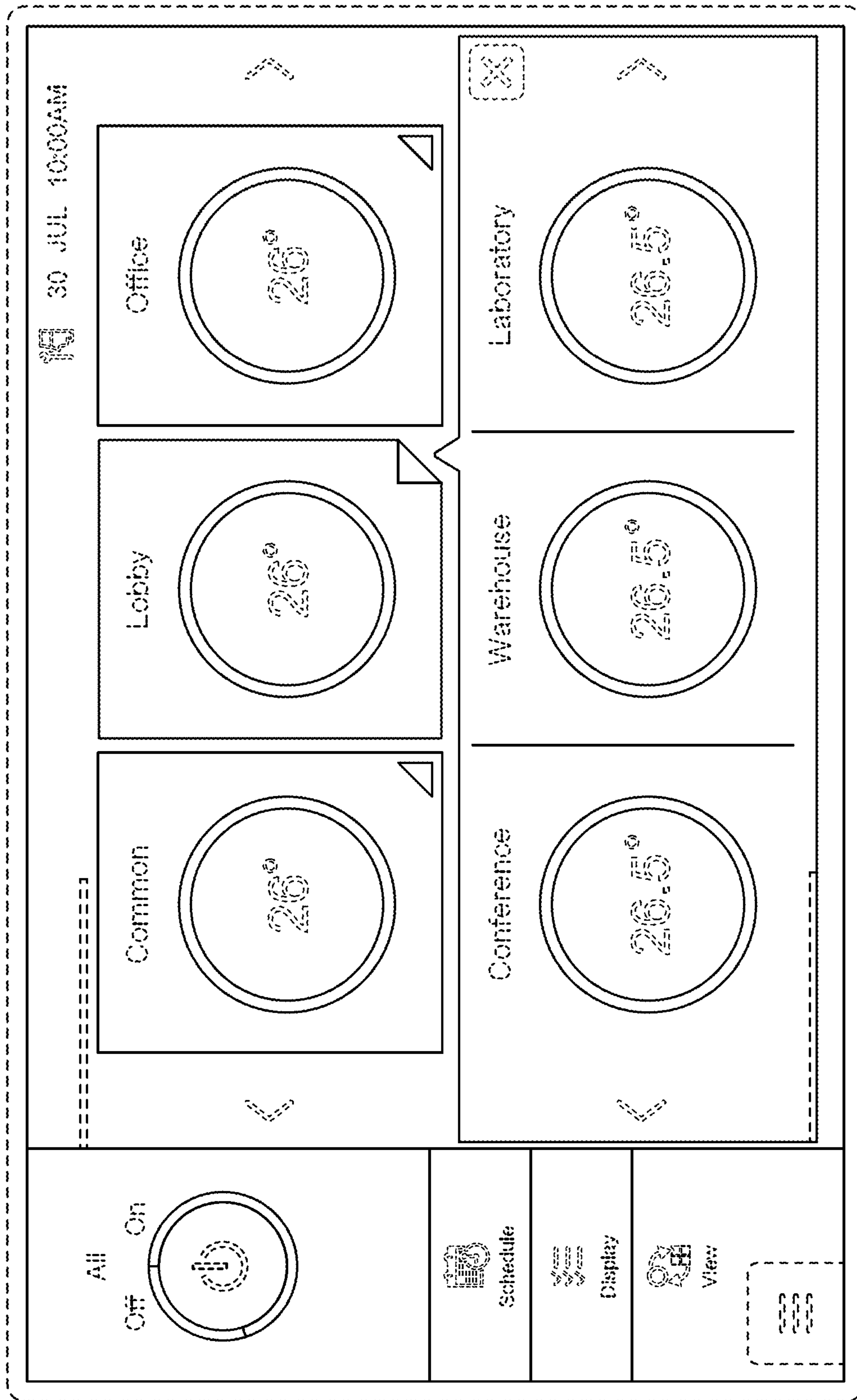


FIG. 2