



US00D893504S

(12) **United States Design Patent** (10) **Patent No.:** **US D893,504 S**
Siminoff et al. (45) **Date of Patent:** **** Aug. 18, 2020**

(54) **DEVICE MOUNT**

(71) Applicant: **AMAZON TECHNOLOGIES, INC.**,
Seattle, WA (US)

(72) Inventors: **Mark Siminoff**, Mountain View, CA
(US); **Christopher Loew**, Palo Alto,
CA (US); **Matthew J. England**, Santa
Monica, CA (US)

(73) Assignee: **Amazon Technologies, Inc.**, Seattle,
WA (US)

(**) Term: **15 Years**

(21) Appl. No.: **29/658,143**

(22) Filed: **Jul. 27, 2018**

(51) **LOC (12) Cl.** **14-02**

(52) **U.S. Cl.**
USPC **D14/452**

(58) **Field of Classification Search**
USPC D14/447-452, 336, 341, 371, 373, 374,
D14/375, 376, 377, 239, 126, 127, 128,
D14/129

CPC F16M 11/105; F16M 11/10; F16M 11/048;
F16M 11/12; F16M 13/022

See application file for complete search history.

(56) **References Cited**

U.S. PATENT DOCUMENTS

D401,941 S * 12/1998 Slappey D14/253
6,443,408 B1 * 9/2002 Hung F16M 11/105
248/130
D521,511 S * 5/2006 Kim D14/375
D550,747 S * 9/2007 Sassano D16/221
D589,960 S * 4/2009 Son D14/375
D606,547 S * 12/2009 Kamata D14/447
D610,139 S * 2/2010 Kamata D14/337
D637,169 S * 5/2011 Kim D14/126
D680,573 S * 4/2013 Sakamoto D16/235

D722,067 S * 2/2015 Jung D14/451
D851,094 S * 6/2019 Hung D14/452
2012/0182680 A1 * 7/2012 Wetzel F16M 11/105
361/679.06

(Continued)

FOREIGN PATENT DOCUMENTS

EP 1821025 A2 * 8/2007 F16M 11/2071

OTHER PUBLICATIONS

Amazon. Link: https://www.amazon.com/dp/B071KDB3R6/ref=cm_sw_r_tw_dp_U_x_nQK-Db5M0KE2N. Jun. 14, 2017. Tablet Stands and Holders Adjustable: Tablet Cell Phone Holder 360 Degree. (Year: 2017).*

(Continued)

Primary Examiner — Lauren D McVey

(74) *Attorney, Agent, or Firm* — Lathrop GPM LLP

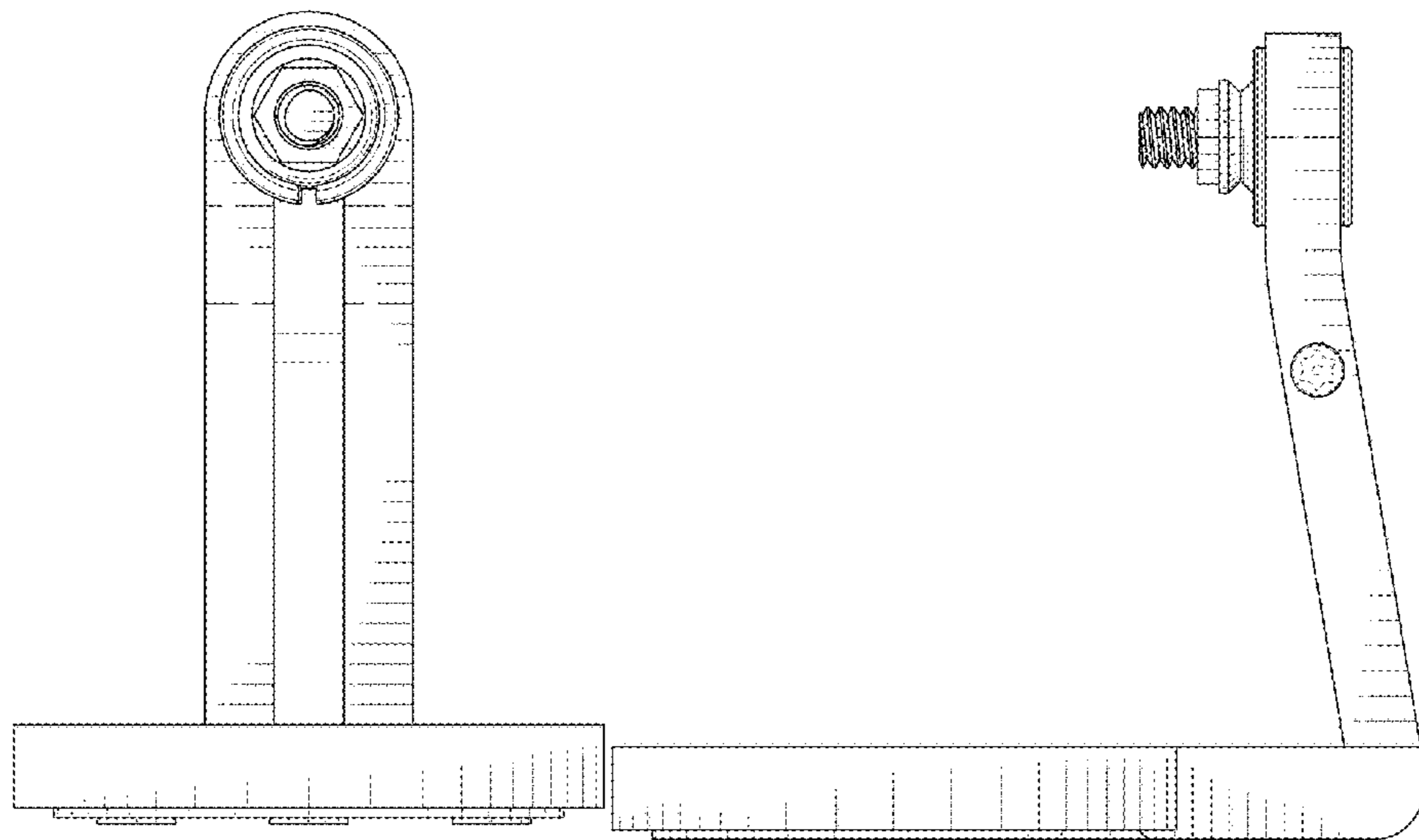
(57) **CLAIM**

The ornamental design for a device mount, as shown and described.

DESCRIPTION

FIG. 1 is a front perspective view of the device mount according to the present design;
FIG. 2 is a front elevational view of the device mount of FIG. 1;
FIG. 3 is a rear elevational view of the device mount of FIG. 1;
FIG. 4 is a left-side elevational view of the device mount of FIG. 1;
FIG. 5 is a right-side elevational view of the device mount of FIG. 1;
FIG. 6 is a top plan view of the device mount of FIG. 1; and,
FIG. 7 is a bottom plan view of the device mount of FIG. 1. The broken lines depict portions of the device mount that form no part of the claimed design.

1 Claim, 5 Drawing Sheets



(56)

References Cited

U.S. PATENT DOCUMENTS

2018/0032104 A1* 2/2018 Schatz G06F 1/1632

OTHER PUBLICATIONS

Amazon. Link: https://www.amazon.com/dp/B073WHV11Z/ref=cm_sw_r_tw_dp_U_x_EPK-DbVW1CDBP. Jul. 12, 2017. AboveTEK Retail Kiosk iPad Stand, 360° Rotating Commercial Tablet Stand. (Year: 2017).*

* cited by examiner

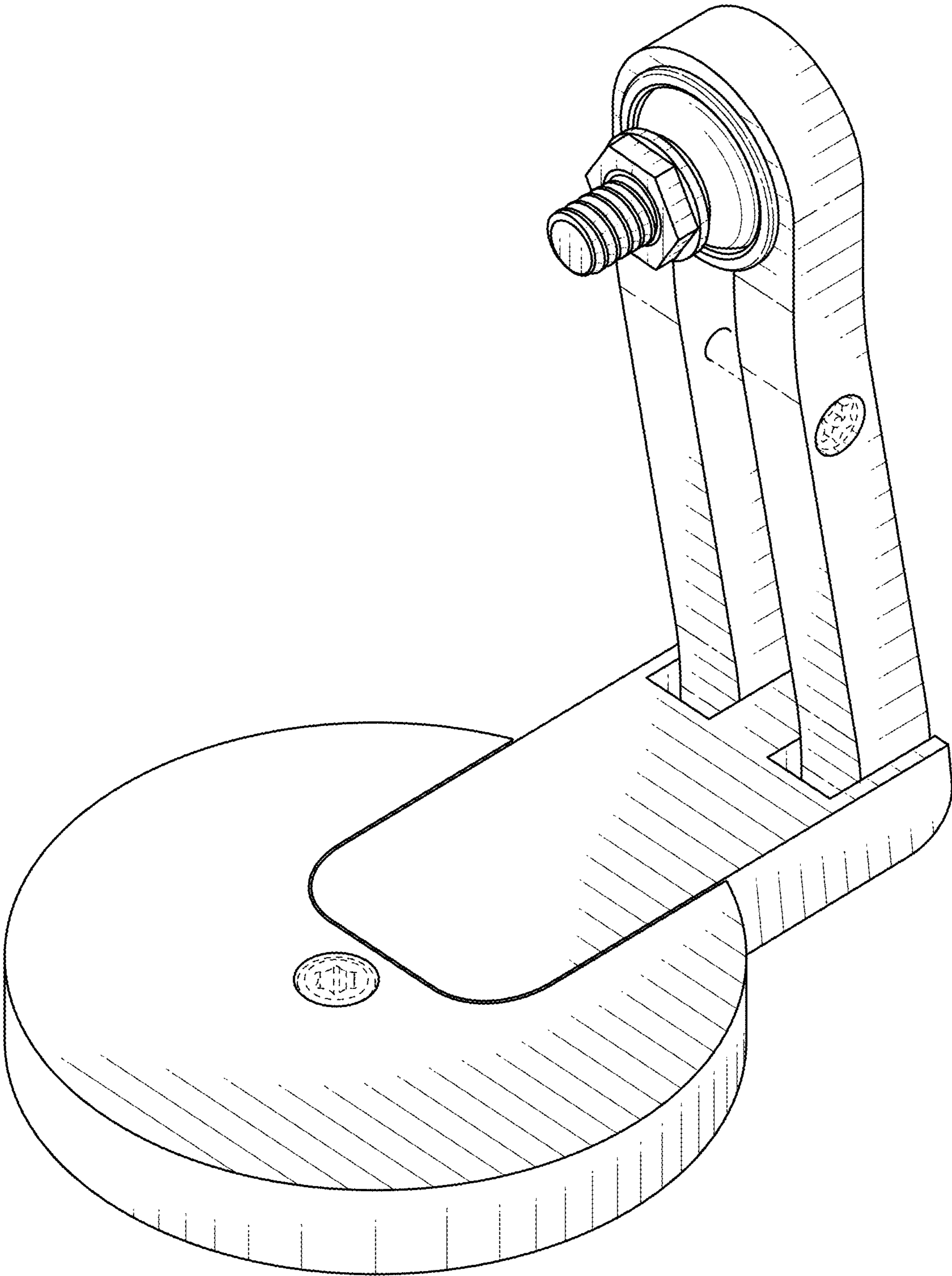


FIG. 1

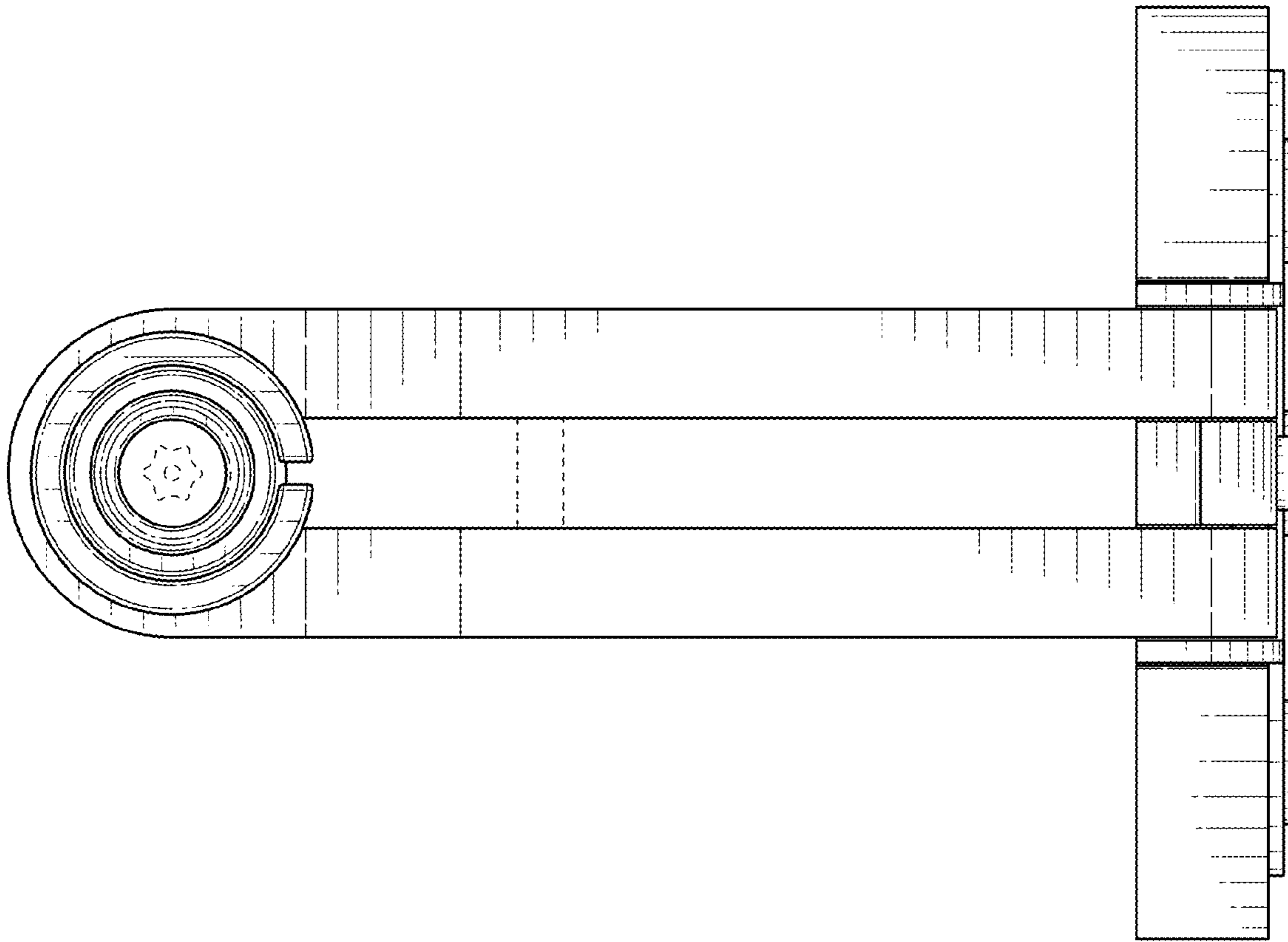


FIG. 3

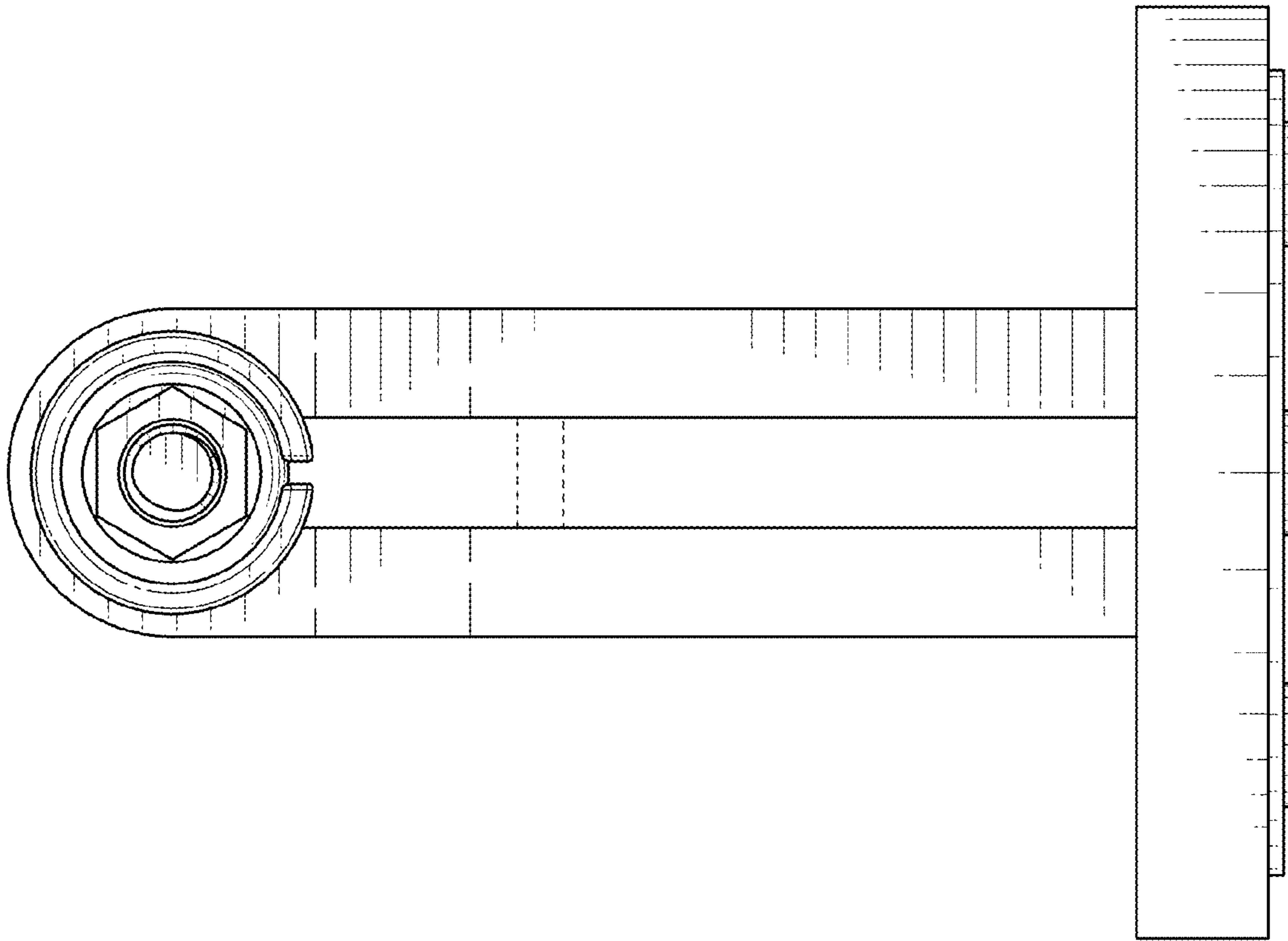


FIG. 2

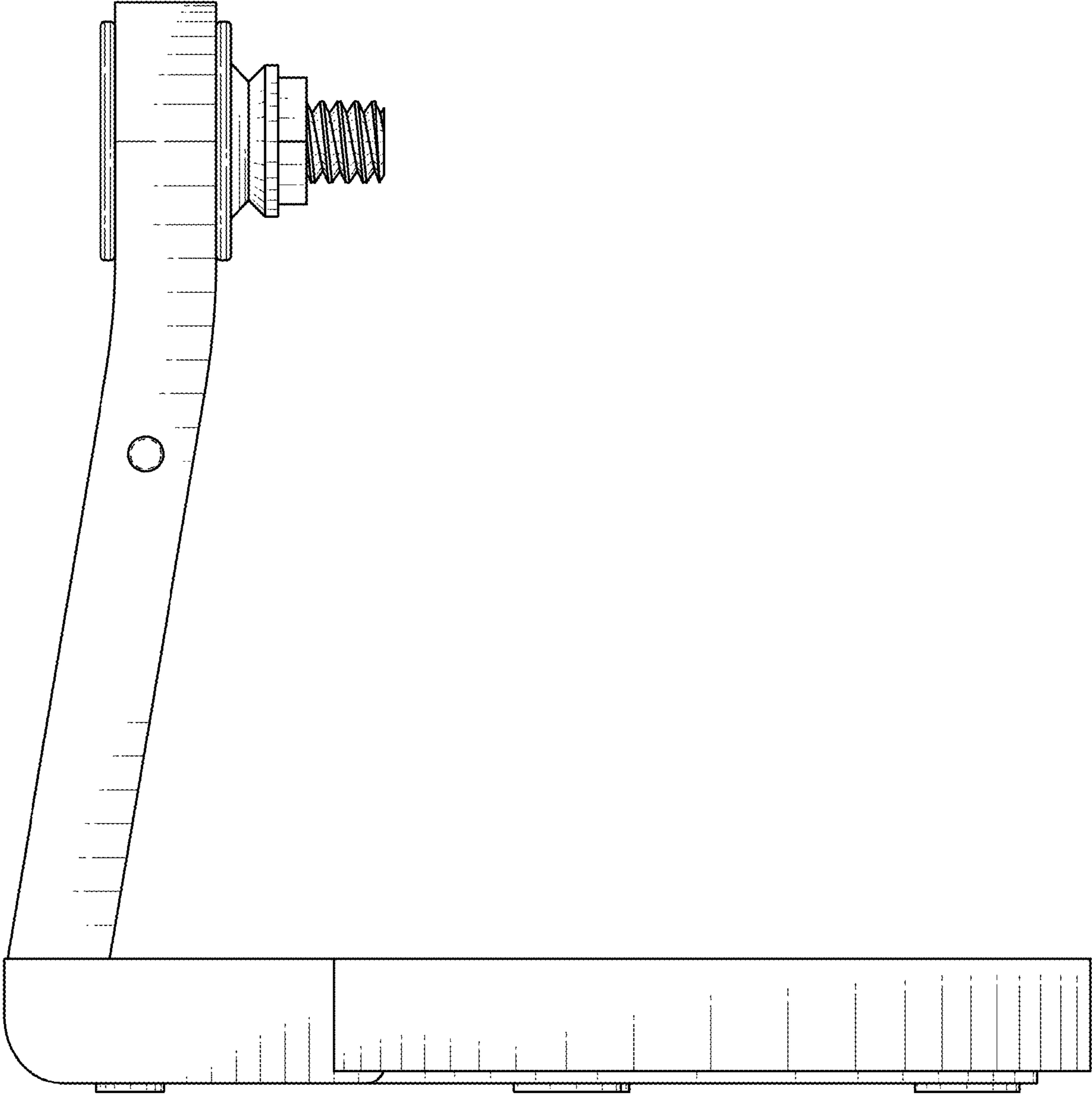


FIG. 4

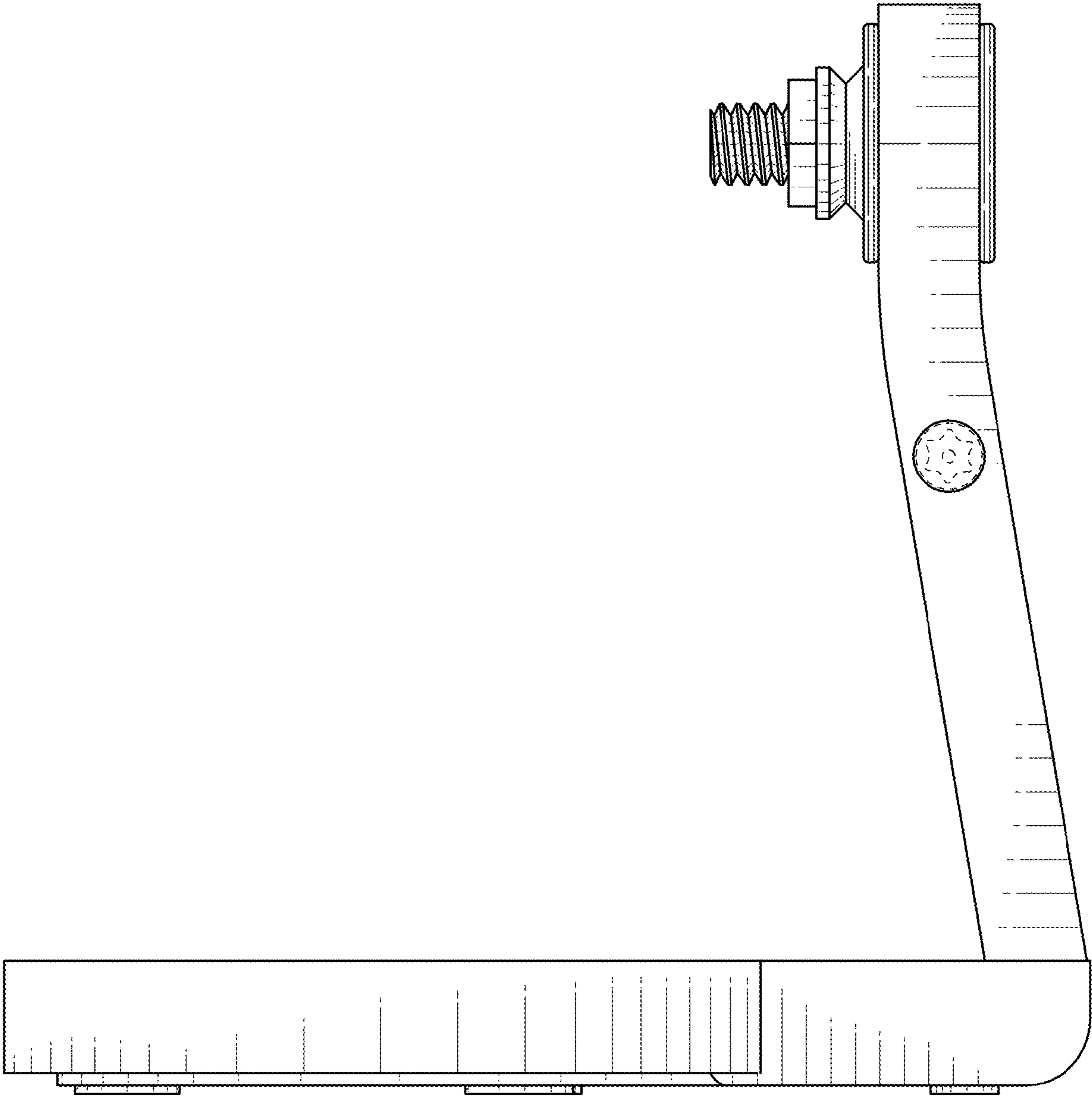


FIG. 5

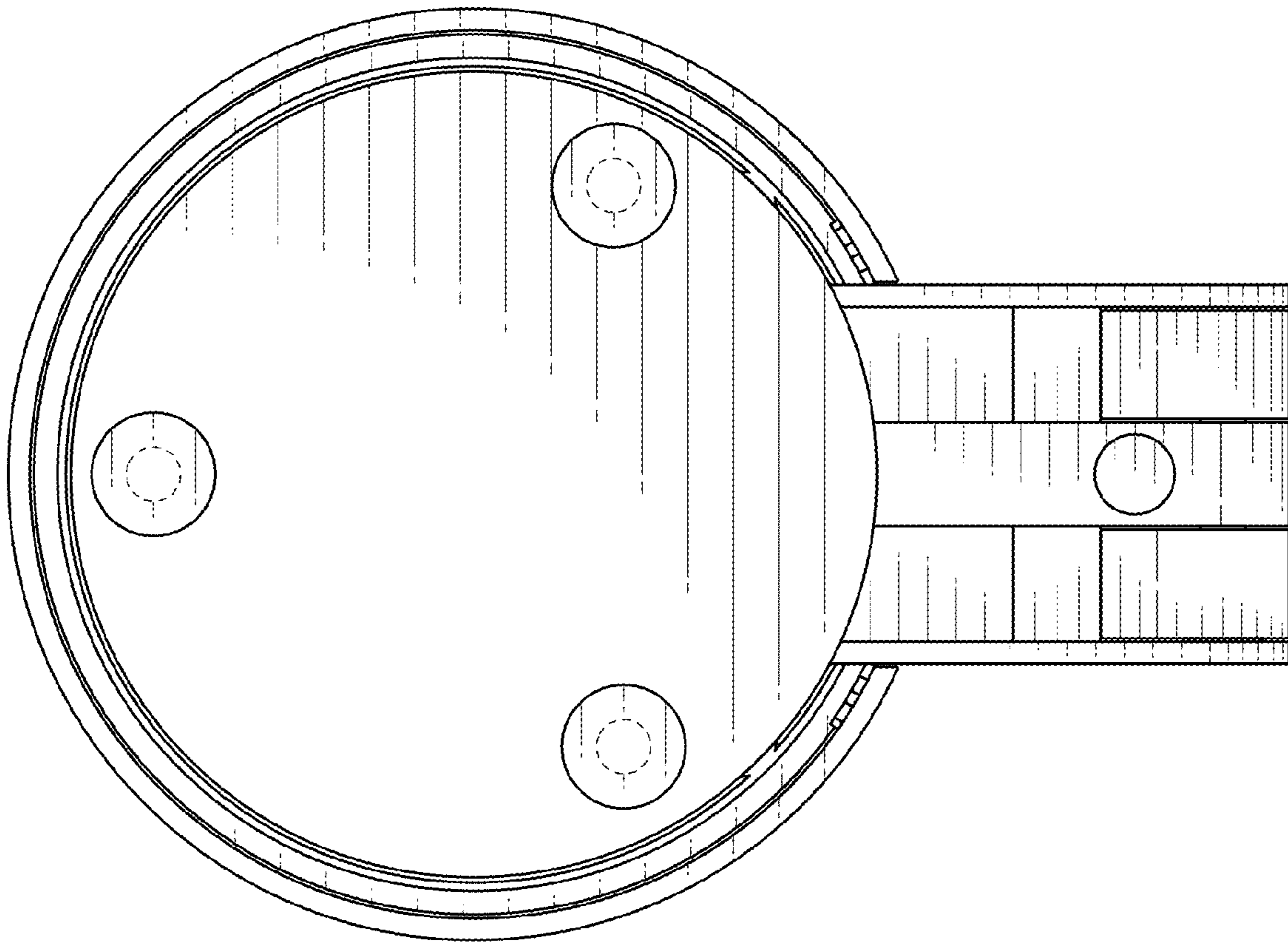


FIG. 7

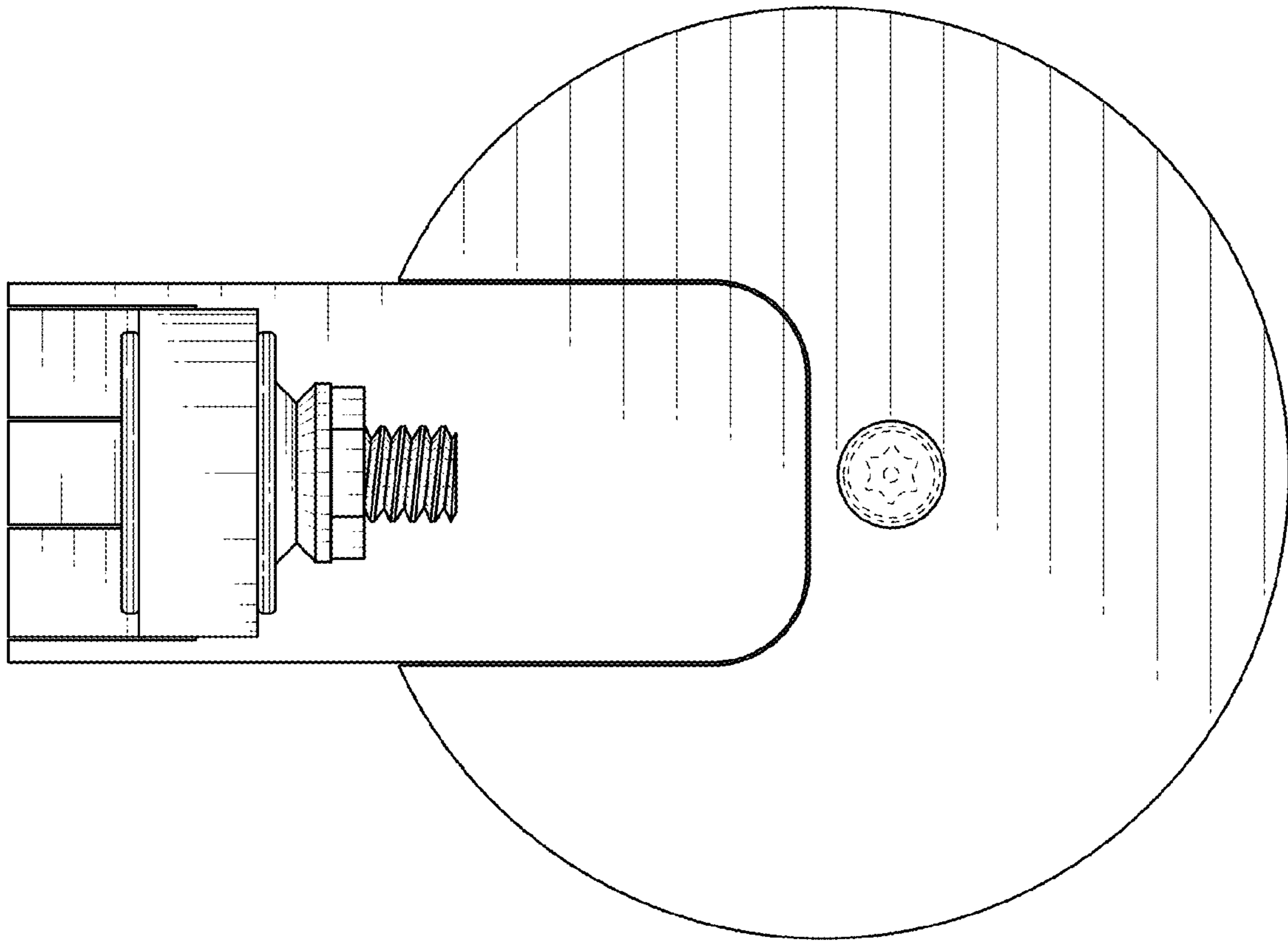


FIG. 6