



US00D893503S

(12) **United States Design Patent**  
**Burmester**

(10) **Patent No.:** **US D893,503 S**

(45) **Date of Patent:** **\*\* Aug. 18, 2020**

(54) **SUPPORT FOR COMPUTER TERMINALS  
AND COMPUTER KEYBOARDS**

D545,825 S 7/2007 Richter  
D563,693 S 3/2008 Calleja  
7,740,214 B2\* 6/2010 Marsilio ..... A47F 7/024  
248/178.1

(71) Applicant: **ERGONOMIC SOLUTIONS  
INTERNATIONAL LIMITED**, Surrey  
(GB)

(Continued)

**FOREIGN PATENT DOCUMENTS**

(72) Inventor: **Benny Burmester**, Norresundby (DK)

DE 19525391 A1 2/1996

(73) Assignee: **ERGONOMIC SOLUTIONS  
INTERNATIONAL LIMITED**, Surrey  
(GB)

**OTHER PUBLICATIONS**

(\*\*) Term: **15 Years**

Amazon. Link: [https://www.amazon.com/dp/B07G9Q9L77/ref=cm\\_sw\\_r\\_tw\\_dp\\_U\\_x\\_2yjdEb9RDGGX1](https://www.amazon.com/dp/B07G9Q9L77/ref=cm_sw_r_tw_dp_U_x_2yjdEb9RDGGX1). Sep. 3, 2015. Discount Credit Card Supply Swivel and Tilt Clover Mini Terminal Stand. (Year: 2015).\*

(21) Appl. No.: **29/701,306**

(Continued)

(22) Filed: **Aug. 9, 2019**

*Primary Examiner* — Lauren D McVey

**Related U.S. Application Data**

(74) *Attorney, Agent, or Firm* — Berg Hill Greenleaf Ruscitti LLP

(60) Continuation of application No. 29/588,804, filed on Dec. 22, 2016, now abandoned, which is a division of application No. 29/543,067, filed on Oct. 20, 2015, now Pat. No. Des. 846,554.

(51) **LOC (12) Cl.** ..... **14-02**

(52) **U.S. Cl.**  
USPC ..... **D14/447**

(58) **Field of Classification Search**  
USPC ..... D14/447–452, 336, 337, 341, 371–377,  
D14/126, 127, 128, 129  
CPC .... F16M 11/105; F16M 11/10; F16M 11/048;  
F16M 11/12; F16M 13/022  
See application file for complete search history.

(57) **CLAIM**

The ornamental design for support for computer terminals and computer keyboards, as shown and described.

**DESCRIPTION**

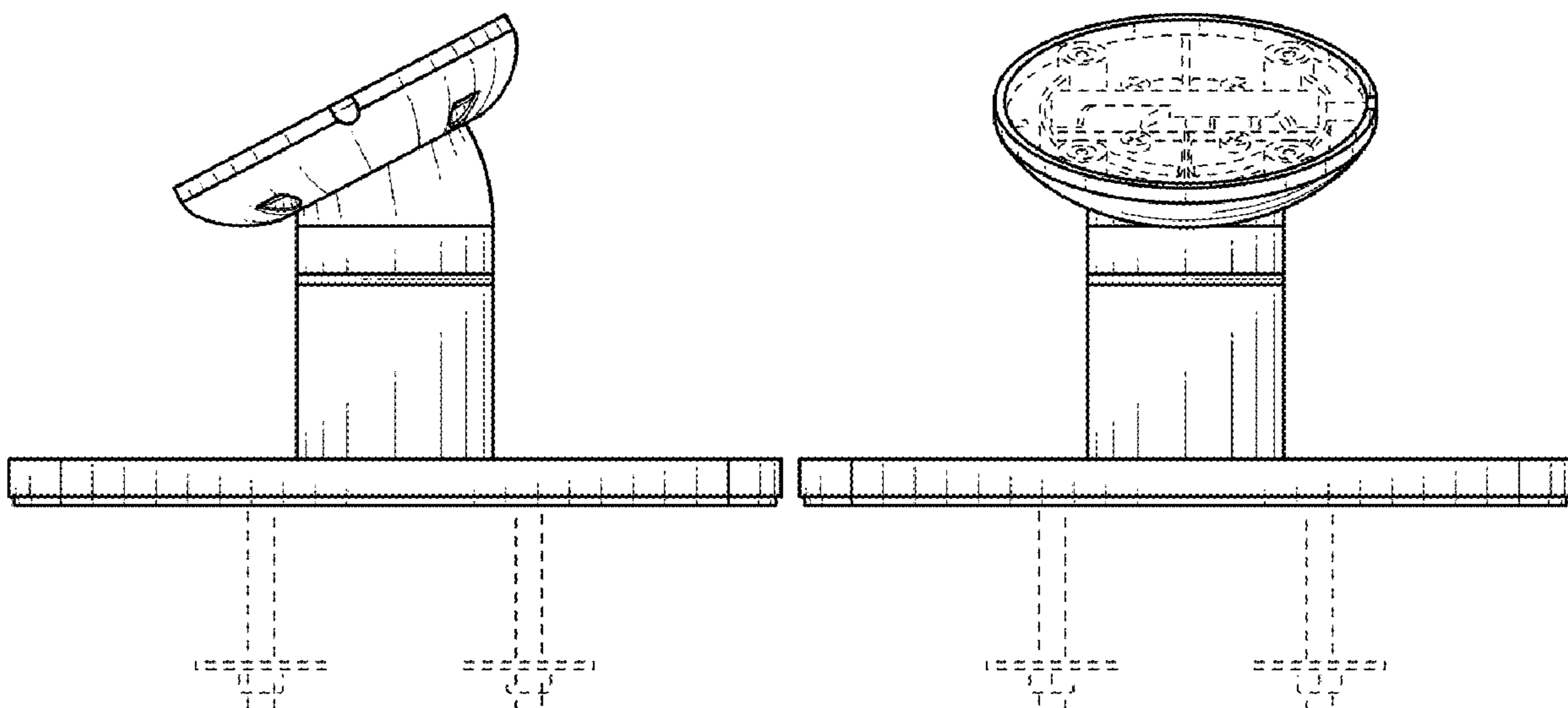
FIG. 1 is a rear elevation view of a support for computer terminals and computer keyboards showing my new design; FIG. 2 is a left side elevation view thereof; FIG. 3 is a right side elevation view thereof; FIG. 4 is a front elevation view thereof; FIG. 5 is a bottom plan view thereof; FIG. 6 is a top plan view thereof; and, FIG. 7 is a top perspective view thereof. The outermost broken lines immediately adjacent the shaded areas depict the bounds of the claimed design, while all other broken lines are directed to environment. The broken lines form no part of the claimed design.

(56) **References Cited**

**U.S. PATENT DOCUMENTS**

D288,154 S \* 2/1987 Hobgood ..... D11/131  
D291,316 S 8/1987 Johnston et al.  
D323,085 S 1/1992 Konkel  
D409,018 S 5/1999 Deuschle

**1 Claim, 2 Drawing Sheets**



(56)

**References Cited**

U.S. PATENT DOCUMENTS

7,748,669 B2 \* 7/2010 Lu ..... F16M 11/14  
248/181.1

D678,297 S 3/2013 Willkomm

D692,900 S \* 11/2013 Kovacs ..... H01R 13/73  
D14/447

D696,674 S 12/2013 Vogel

D723,011 S \* 2/2015 Symons ..... D14/224

D729,222 S 5/2015 Grziwok et al.

D733,156 S \* 6/2015 Choi ..... D14/447

D772,739 S 11/2016 Browning et al.

D797,748 S 9/2017 Robinson

D806,085 S 12/2017 Nelson et al.

D806,714 S 1/2018 Nelson et al.

D837,876 S \* 1/2019 Lyons ..... D18/4.5

2007/0145210 A1 \* 6/2007 Fawcett ..... F16M 11/00  
248/176.1

2011/0255219 A1 \* 10/2011 Ou ..... F16M 11/10  
361/679.01

2013/0168527 A1 \* 7/2013 Wheeler ..... A47F 7/024  
248/542

2014/0059828 A1 \* 3/2014 Reynolds ..... F16M 11/041  
29/428

2014/0263884 A1 9/2014 Grziwok et al.

2014/0321048 A1 \* 10/2014 Kupferstein ..... G06F 1/1632  
361/679.41

OTHER PUBLICATIONS

Amazon. <URL: [https://www.amazon.com/dp/B01M65SRGV/ref=sspa\\_dk\\_detail\\_2?psc=1](https://www.amazon.com/dp/B01M65SRGV/ref=sspa_dk_detail_2?psc=1)> Oct. 18, 2016. Terminal Stand.

\* cited by examiner

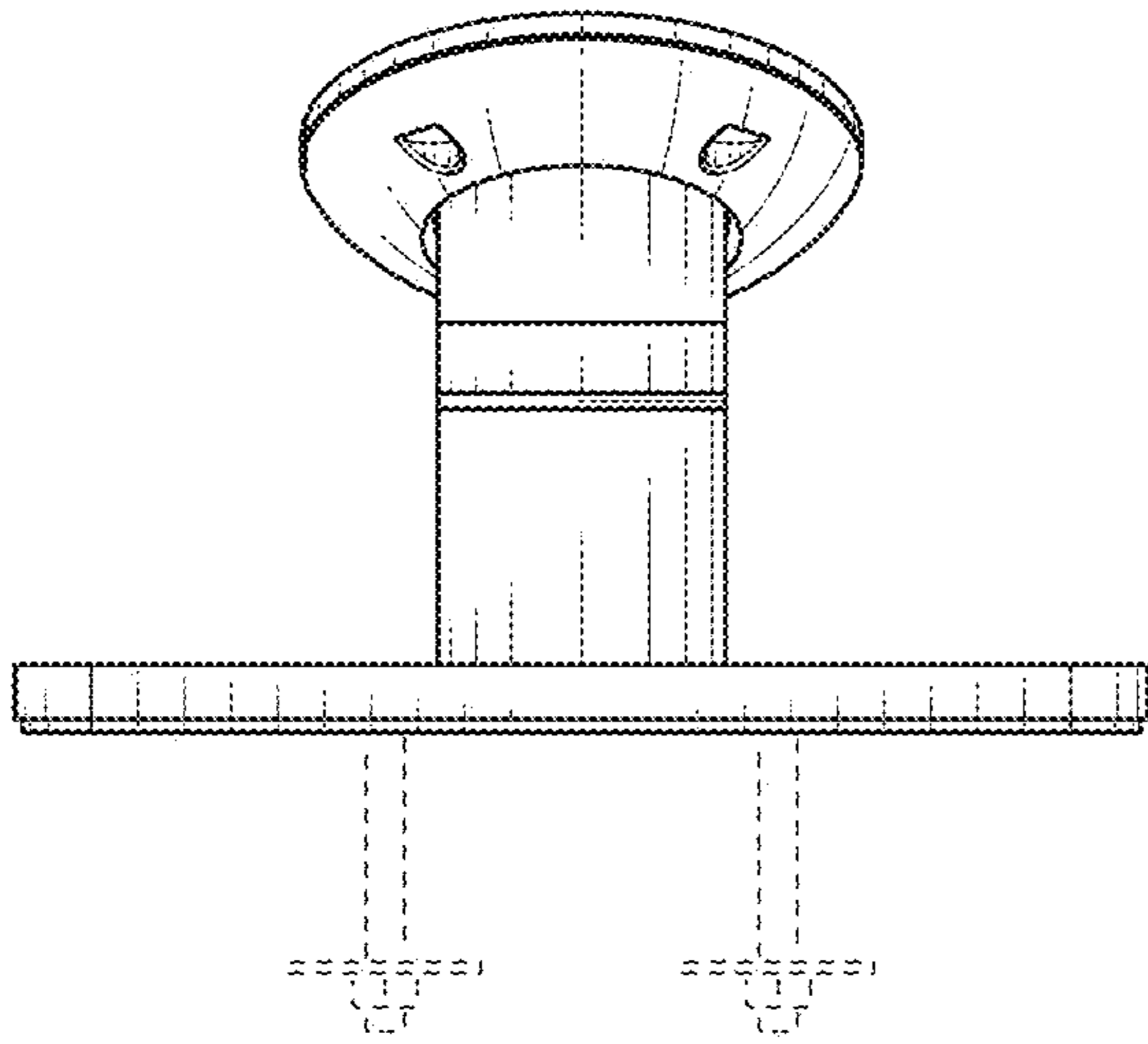


FIG. 1

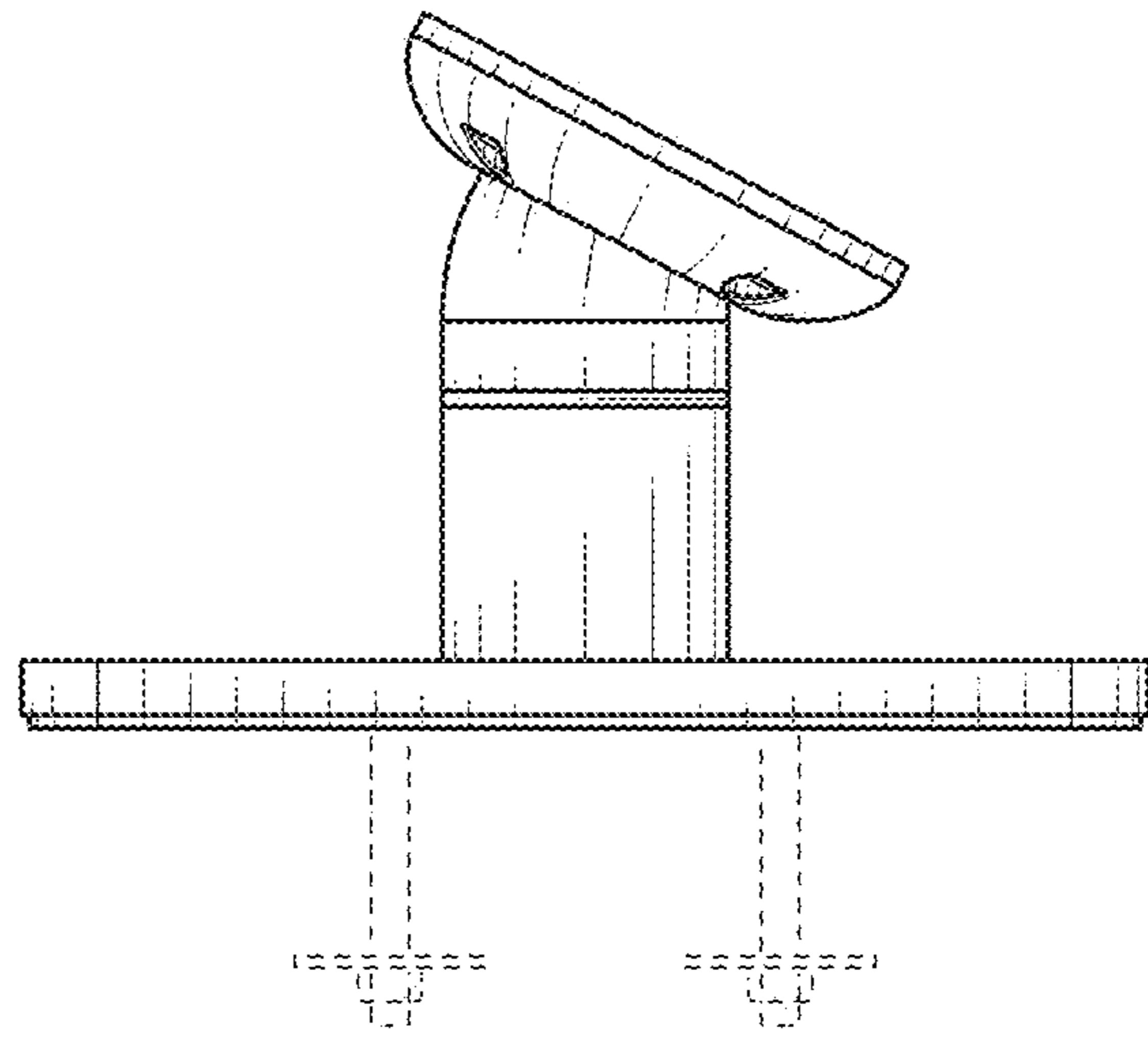


FIG. 2

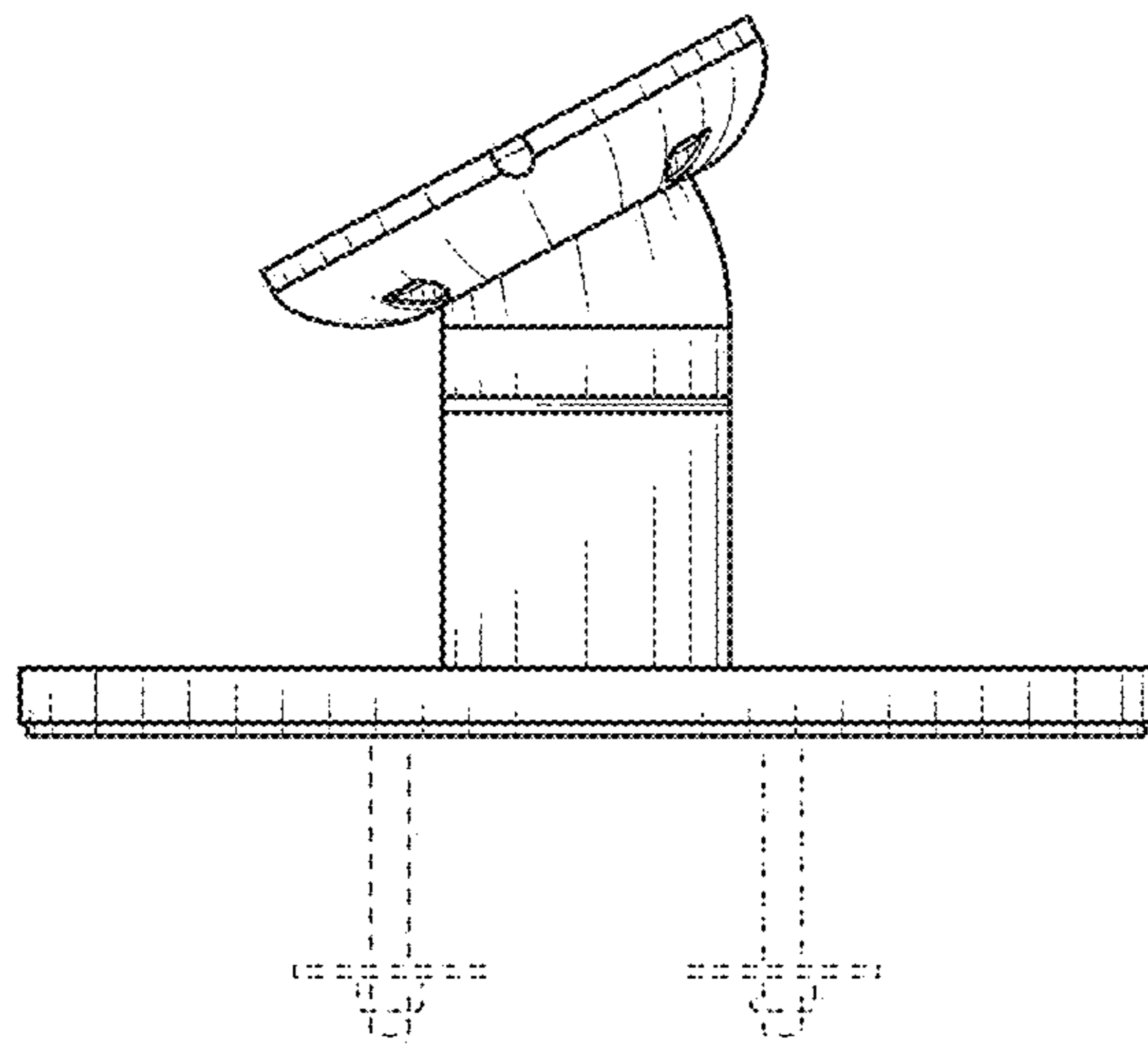


FIG. 3

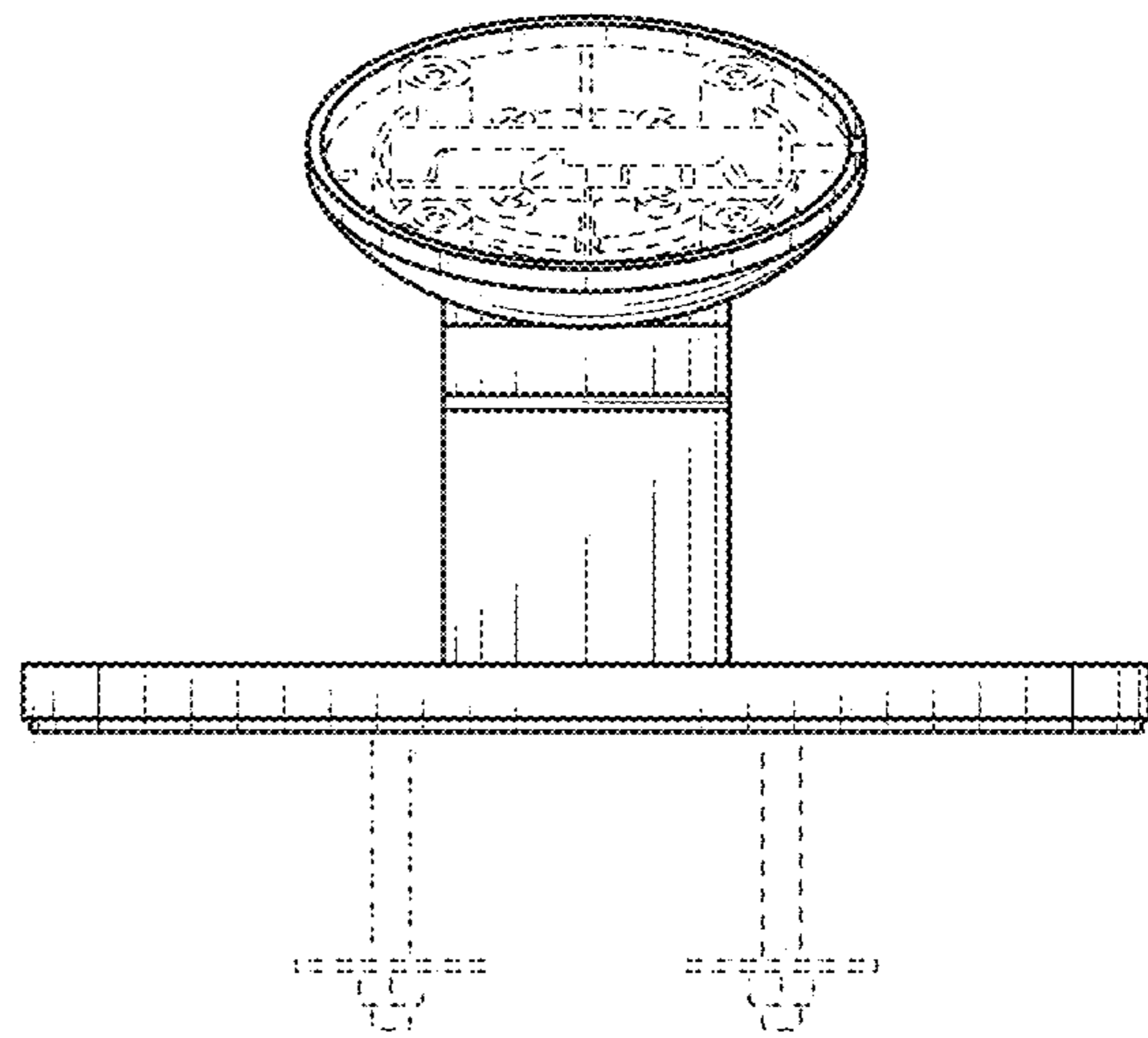


FIG. 4

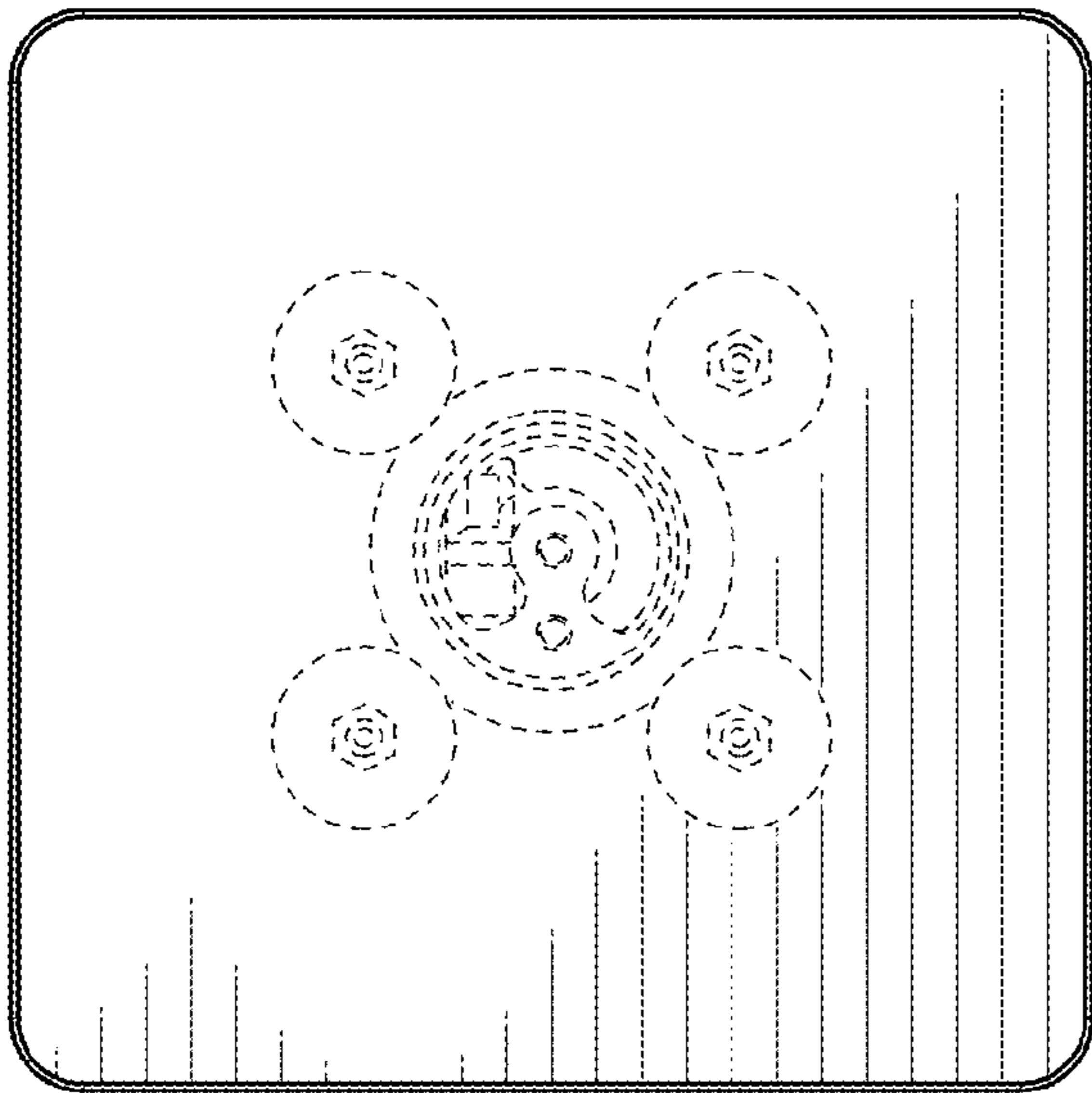


FIG. 5

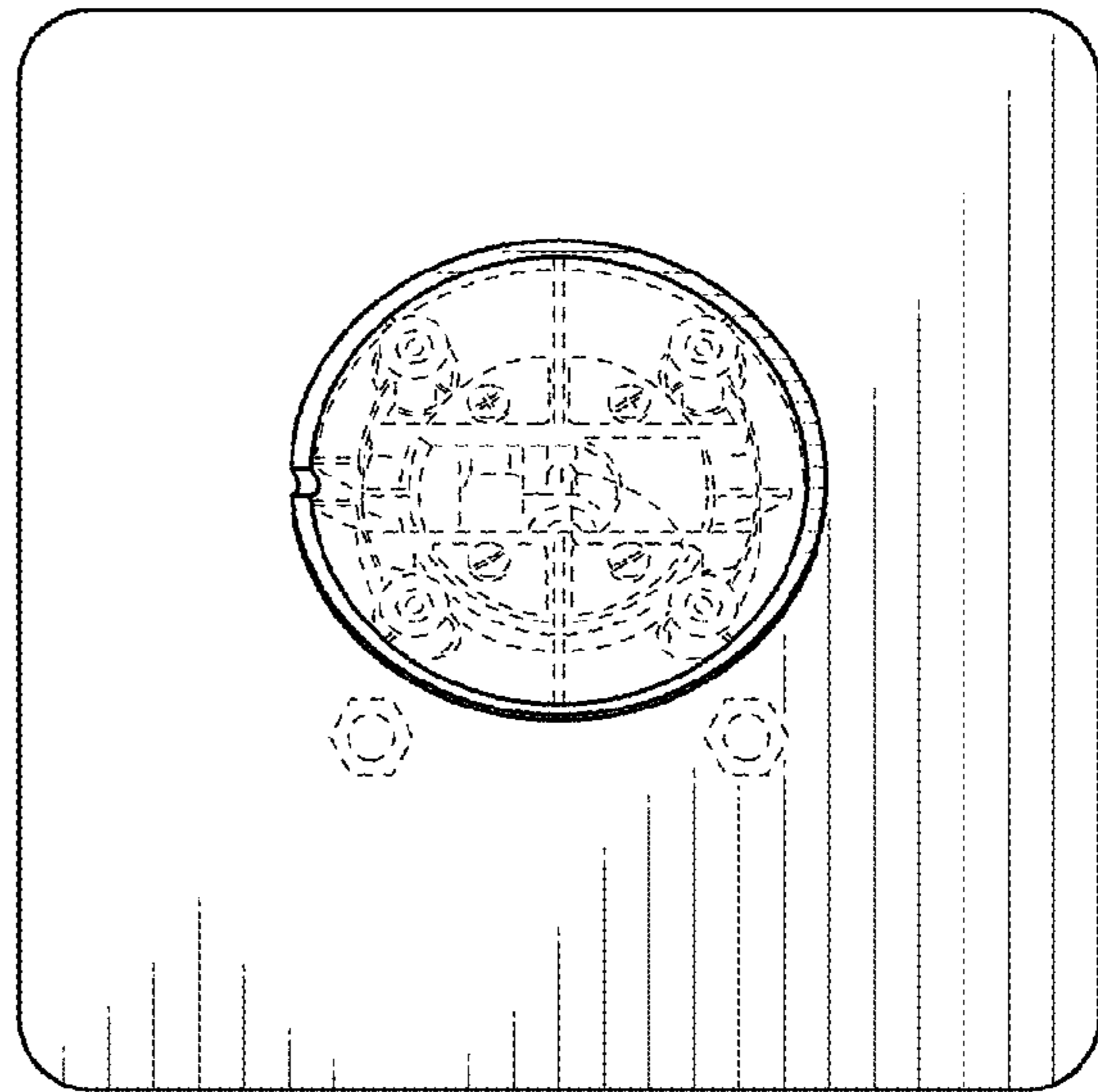


FIG. 6

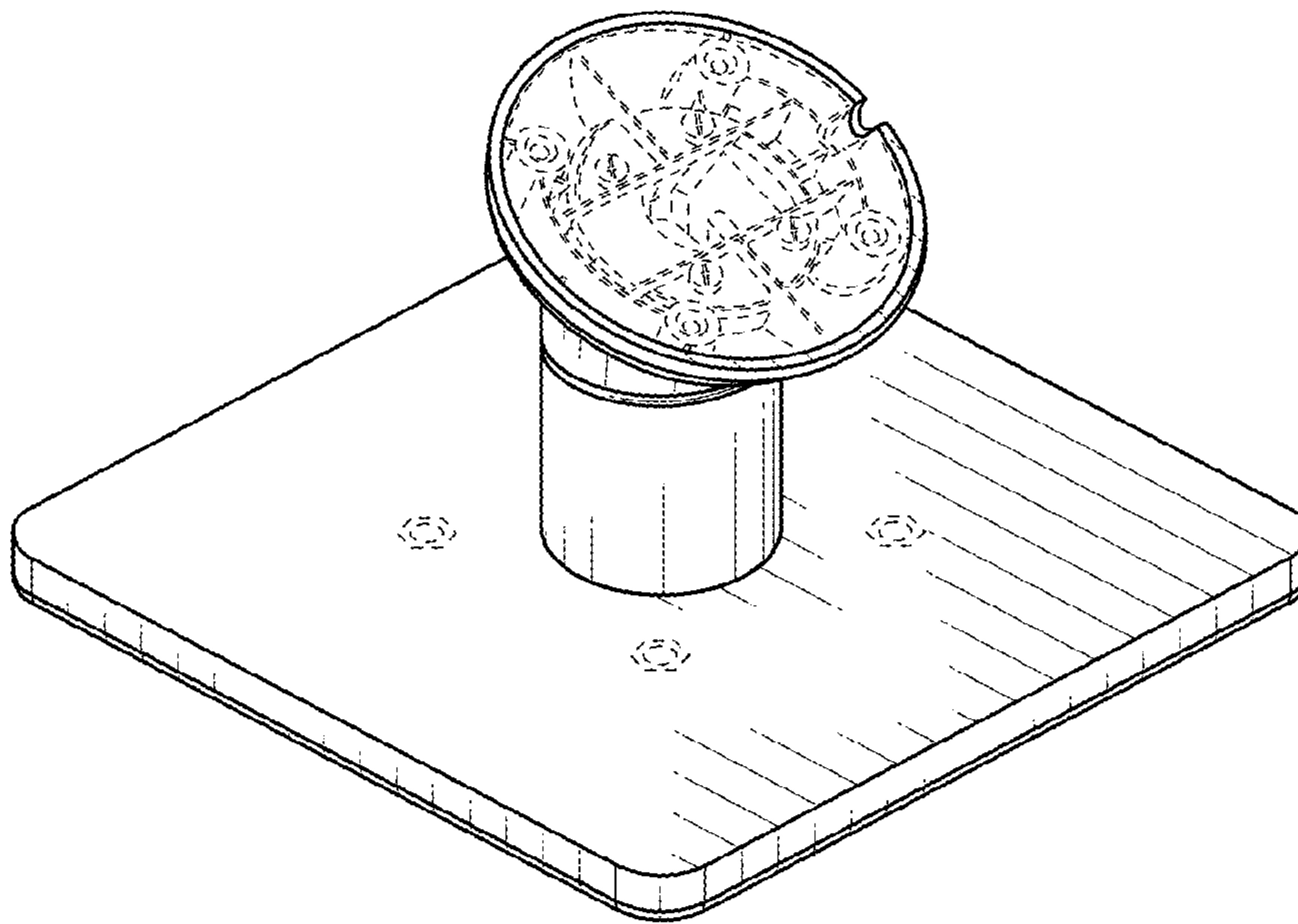


FIG. 7