



US00D893502S

(12) **United States Design Patent**
Burmester

(10) **Patent No.:** **US D893,502 S**

(45) **Date of Patent:** **** Aug. 18, 2020**

(54) **SUPPORT FOR COMPUTER TERMINALS
AND COMPUTER KEYBOARDS**

(71) Applicant: **ERGONOMIC SOLUTIONS
INTERNATIONAL LIMITED**, Surrey
(GB)

(72) Inventor: **Benny Burmester**, Norresundby (DK)

(73) Assignee: **ERGONOMIC SOLUTIONS
INTERNATIONAL LIMITED**, Surrey
(GB)

(**) Term: **15 Years**

(21) Appl. No.: **29/696,811**

(22) Filed: **Jul. 1, 2019**

Related U.S. Application Data

(60) Continuation of application No. 29/588,807, filed on Dec. 22, 2016, now abandoned, which is a division of application No. 29/543,067, filed on Oct. 20, 2015, now Pat. No. Des. 846,554.

(51) **LOC (12) Cl.** **14-02**

(52) **U.S. Cl.**
USPC **D14/447**

(58) **Field of Classification Search**
USPC D14/447-452, 336, 337, 341, 371-377,
D14/126, 127, 128, 129
CPC F16M 11/105; F16M 11/10; F16M 11/048;
F16M 11/12; F16M 13/022
See application file for complete search history.

(56) **References Cited**

U.S. PATENT DOCUMENTS

D349,489 S 8/1994 Wang
D354,750 S 1/1995 Lewis
D407,408 S 3/1999 Hoff
D423,821 S 5/2000 Crump

D426,200 S 6/2000 Aeschbacher et al.
D456,415 S 4/2002 Deuschle
6,476,717 B1 11/2002 Gross et al.
D545,825 S 7/2007 Richter
8,020,816 B2 9/2011 Laitila et al.
D671,545 S 11/2012 Guran

(Continued)

FOREIGN PATENT DOCUMENTS

DE 19525391 A1 2/1996
GB 2391170 A 2/2004

OTHER PUBLICATIONS

Acrom. <URL: <http://www.acrom.ro/spacepole-mounting-solutions/>>. Visited Sep. 9, 2016. Display mounting stands.

(Continued)

Primary Examiner — Lauren D McVey

(74) *Attorney, Agent, or Firm* — Berg Hill Greenleaf Ruscitti LLP.

(57) **CLAIM**

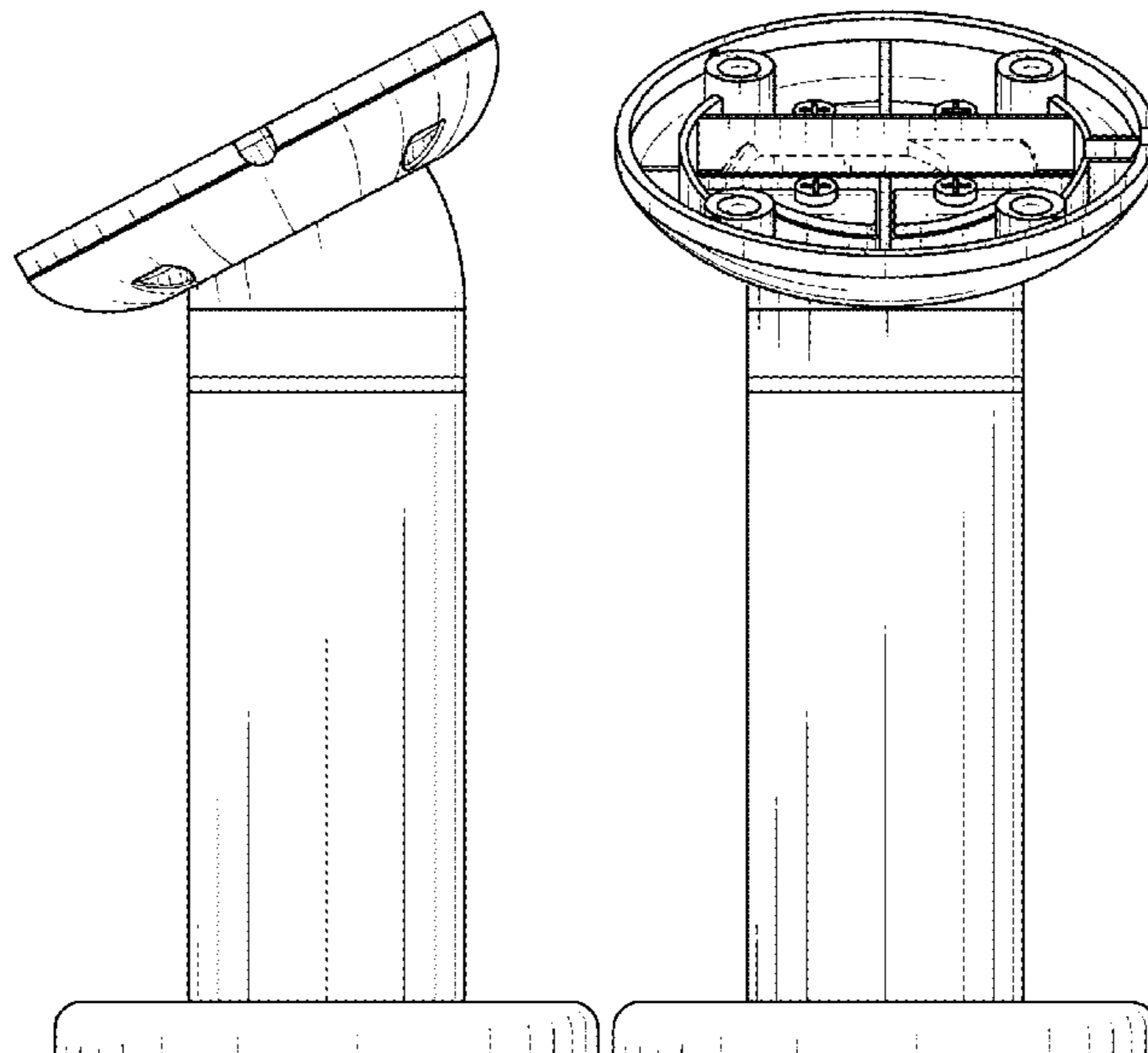
I claim the ornamental design for a support for computer terminals and computer keyboards, as shown and described.

DESCRIPTION

FIG. 1 is a rear elevation view of the support for computer terminals and computer keyboards showing my new design; FIG. 2 is a left side elevation view thereof; FIG. 3 is a right side elevation view thereof; FIG. 4 is a front elevation view thereof; FIG. 5 is a top plan view thereof; and, FIG. 6 is a top left perspective view thereof.

The dot-dash and evenly spaced broken lines immediately adjacent to the shaded areas depict the bounds of the claimed design, while all other broken lines are directed to environment. The broken lines form no part of the claimed design.

1 Claim, 2 Drawing Sheets



(56)

References Cited

U.S. PATENT DOCUMENTS

| | | | | |
|--------------|-----|---------|-----------------|---------|
| 8,317,152 | B1 | 11/2012 | Zhou | |
| D678,297 | S | 3/2013 | Willkomm | |
| D696,674 | S | 12/2013 | Vogel | |
| D729,222 | S | 5/2015 | Grziwok et al. | |
| 9,038,971 | B1 | 5/2015 | Guthrie | |
| D772,739 | S | 11/2016 | Browning et al. | |
| D792,414 | S | 7/2017 | Floersch et al. | |
| D792,415 | S | 7/2017 | Tsai | |
| D797,748 | S | 9/2017 | Robinson | |
| D803,840 | S | 11/2017 | Burmester | |
| D806,084 | S * | 12/2017 | Nelson | D14/447 |
| D806,085 | S | 12/2017 | Nelson et al. | |
| D806,714 | S | 1/2018 | Nelson et al. | |
| D808,396 | S * | 1/2018 | Nelson | D14/447 |
| D824,917 | S * | 8/2018 | Nelson | D14/447 |
| D846,554 | S * | 4/2019 | Burmester | D14/447 |
| D865,751 | S * | 11/2019 | Richter | D14/253 |
| 2001/0035479 | A1 | 11/2001 | Roebuck | |
| 2007/0157856 | A1 | 7/2007 | Skoog et al. | |
| 2014/0263884 | A1 | 9/2014 | Grziwok et al. | |
| 2015/0345699 | A1 | 12/2015 | Manniche et al. | |

OTHER PUBLICATIONS

SpacePole. <URL: <http://www.ergonomicsolutions.net/products/clicksafe/>>. Visited Sep. 9, 2016. Display mounting stands.
 U.S. Appl. No. 29/588,801, filed Dec. 22, 2016.
 U.S. Appl. No. 29/543,067, filed Oct. 20, 2015.

* cited by examiner

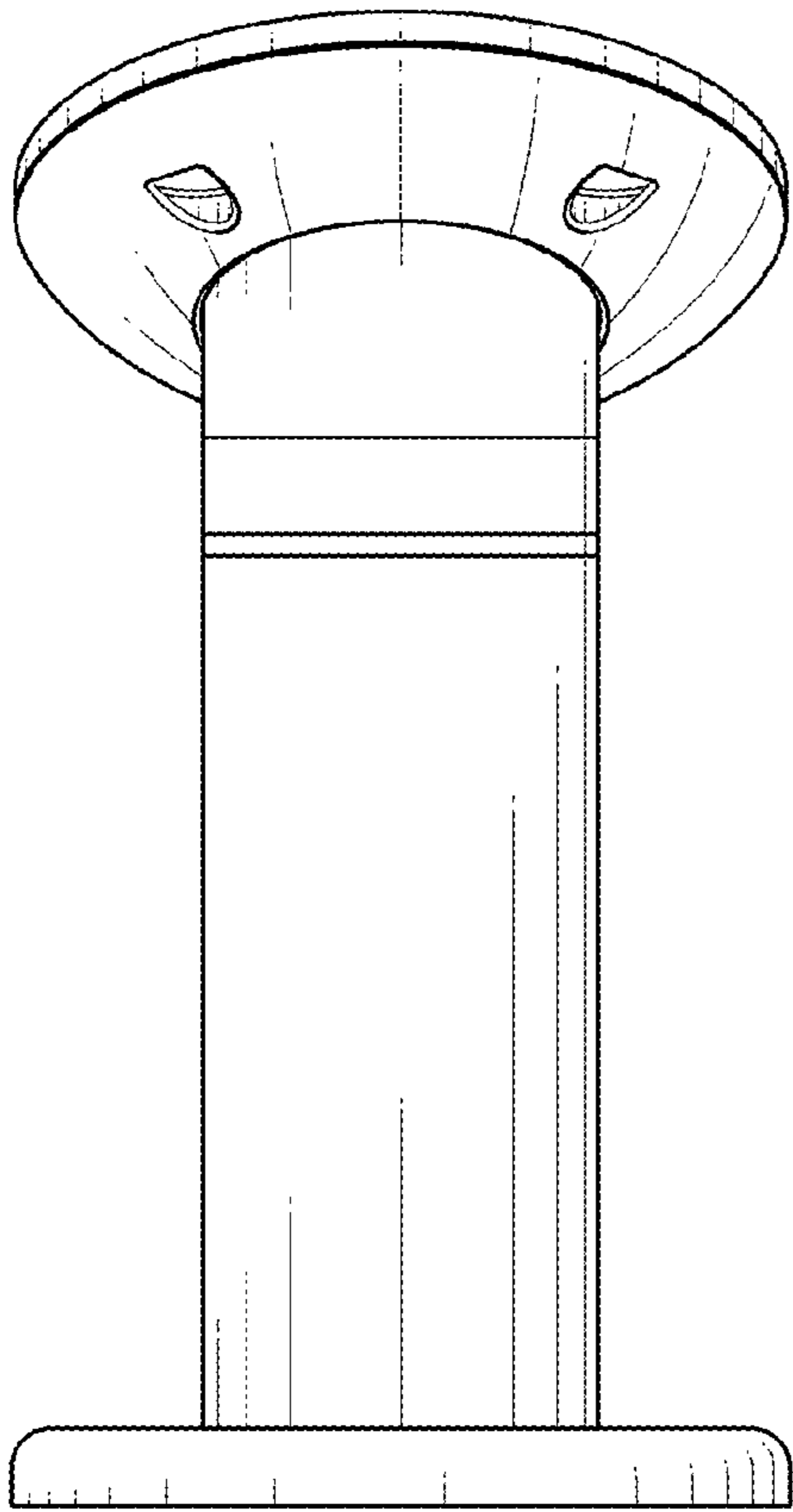


FIG. 1

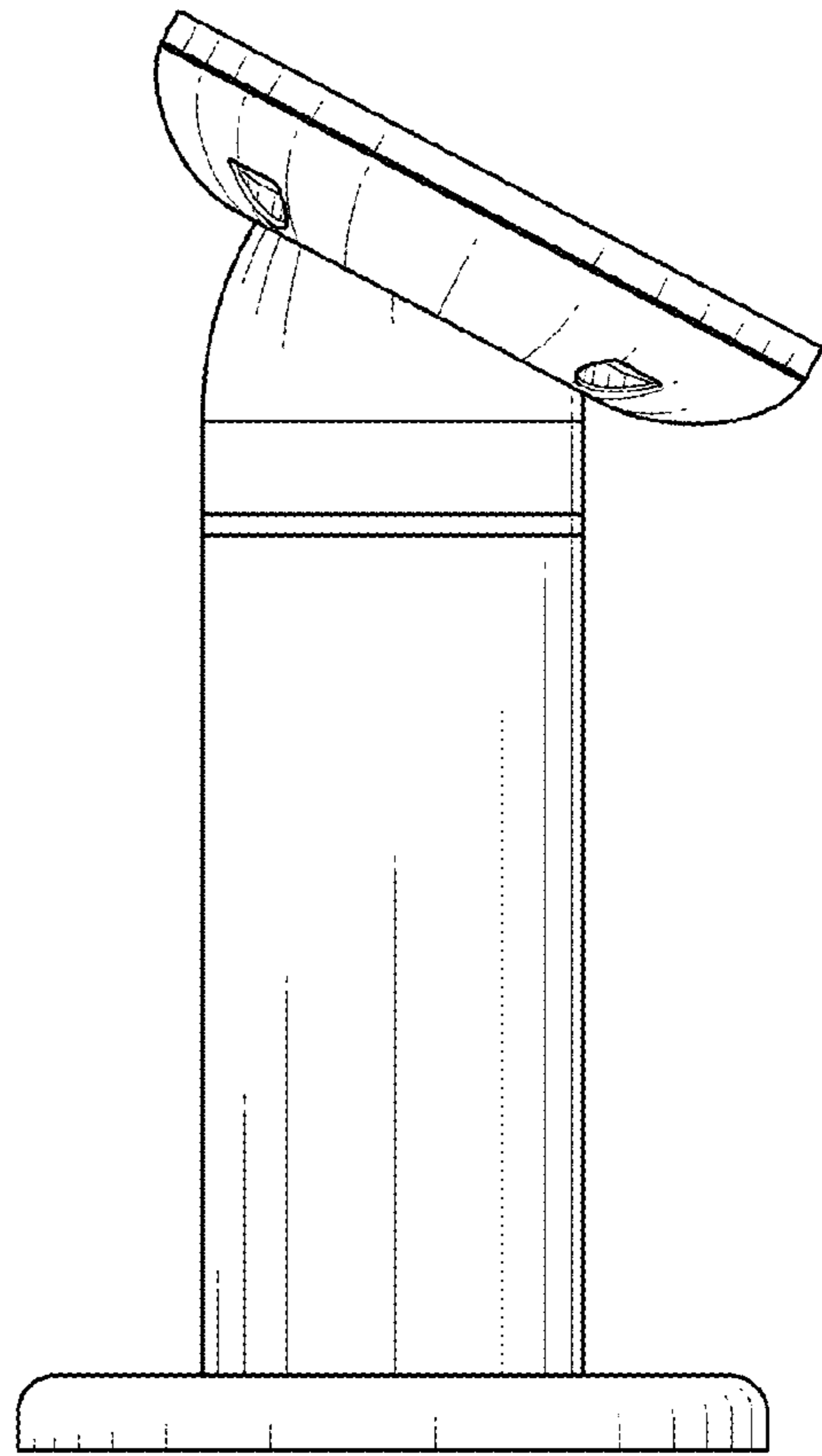


FIG. 2

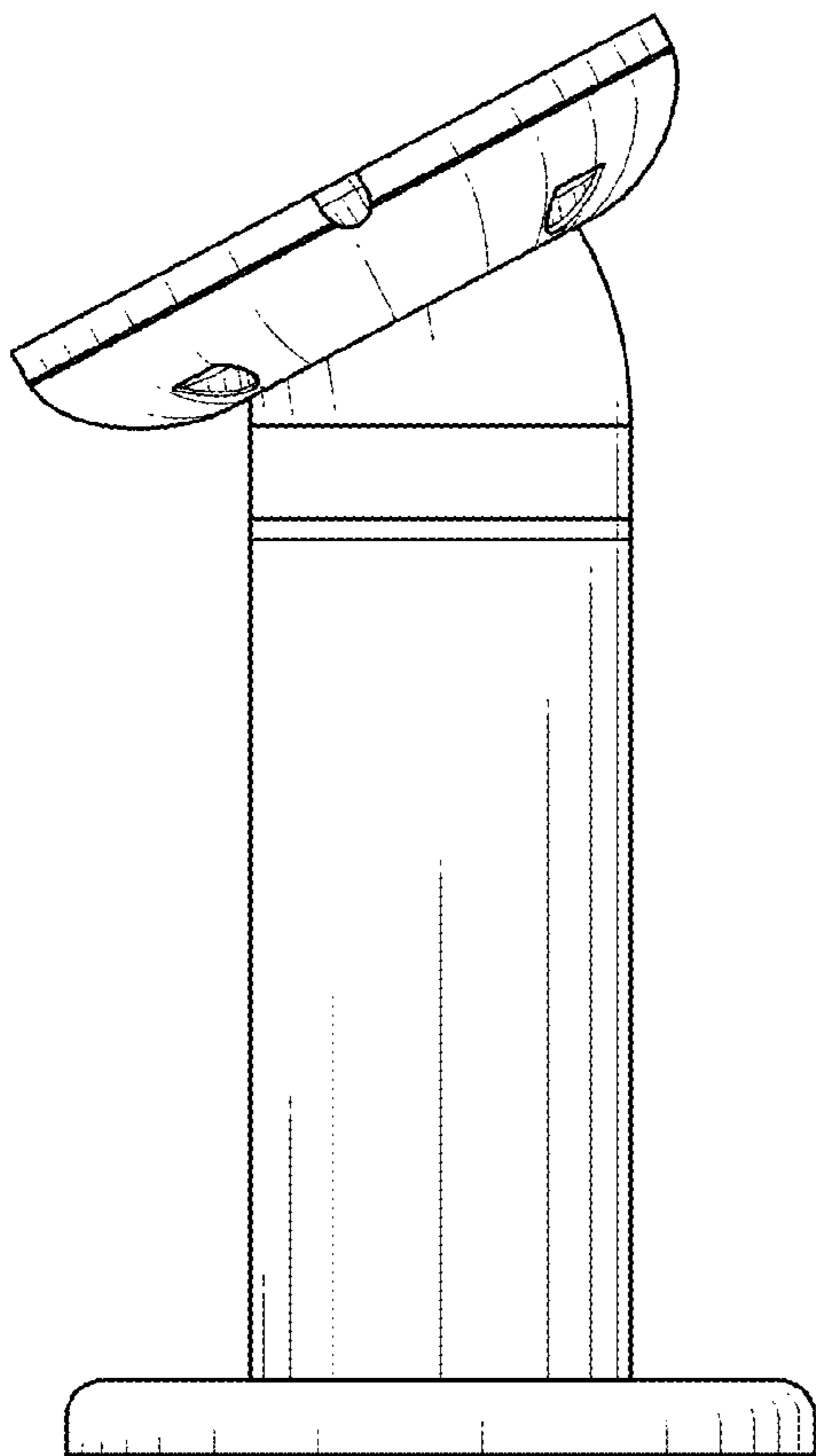


FIG. 3

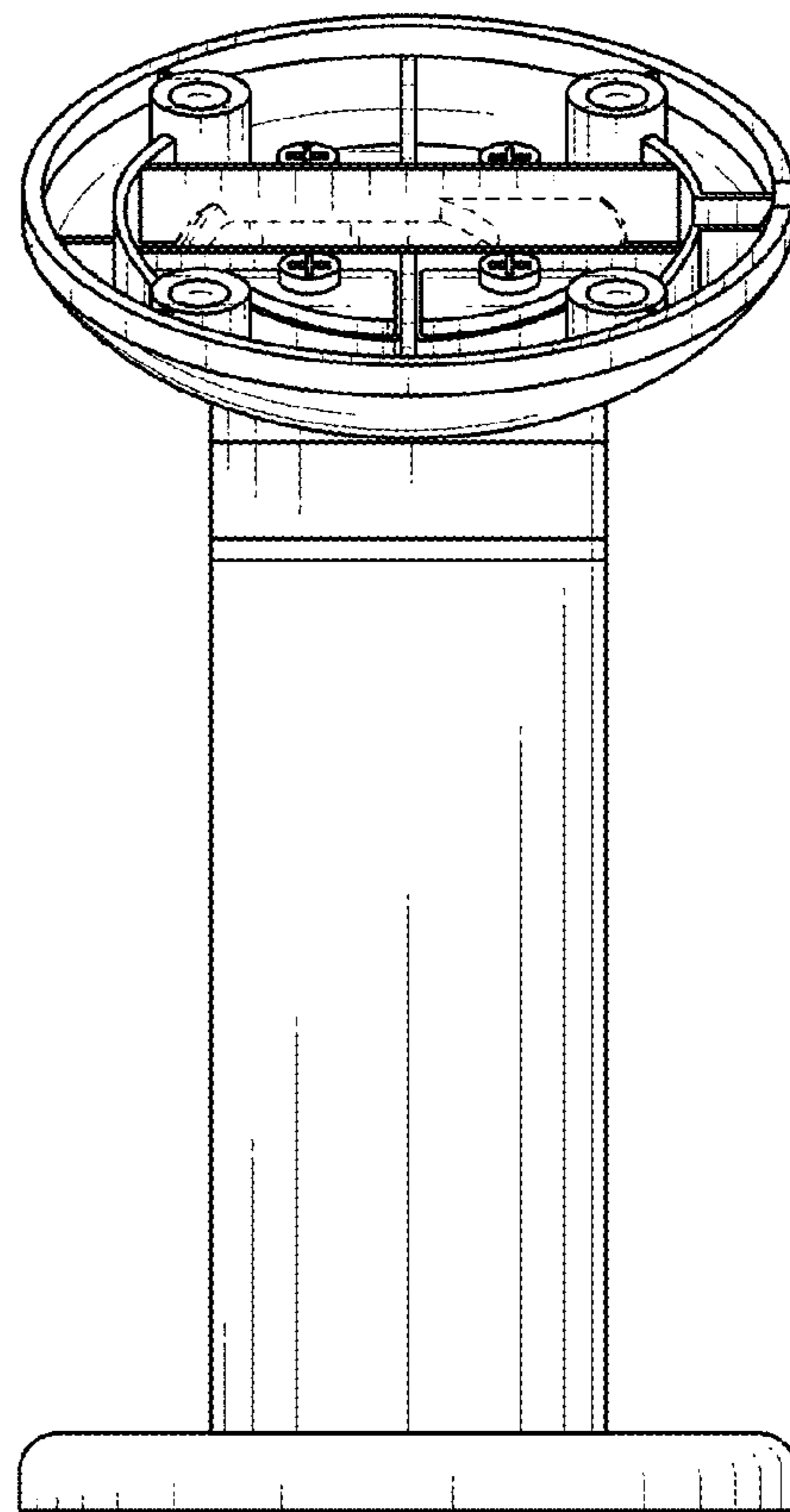


FIG. 4

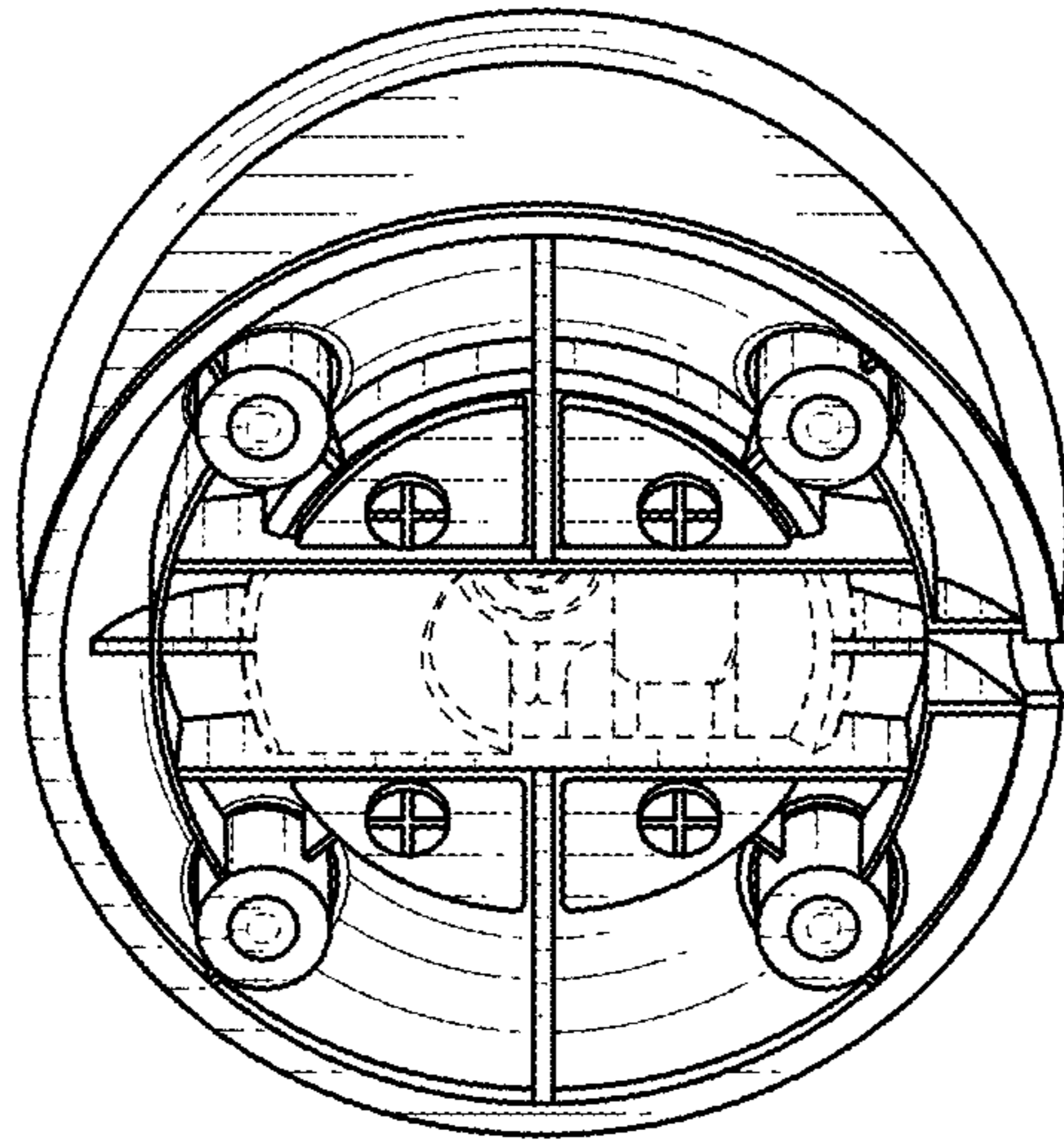


FIG. 5

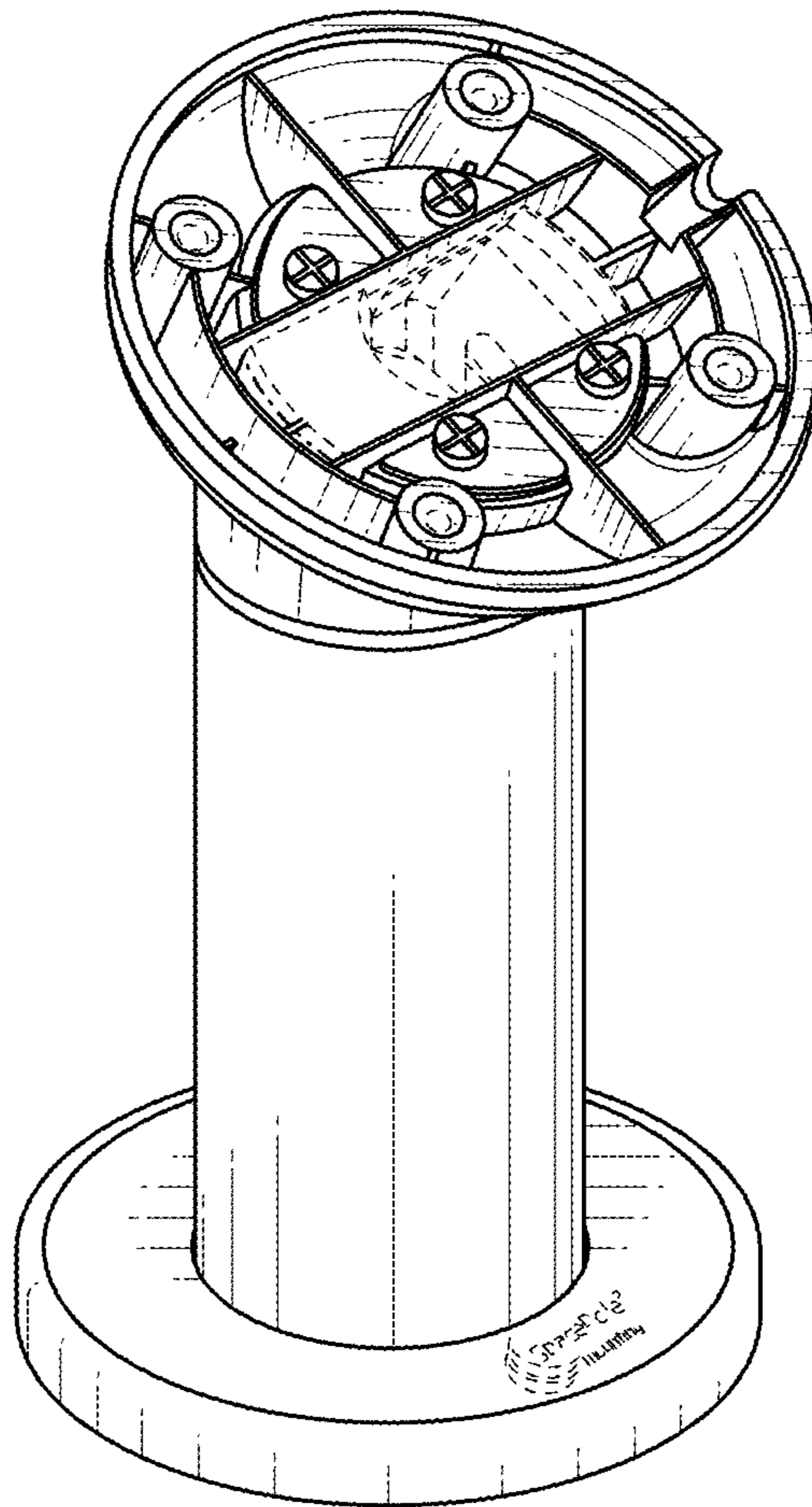


FIG. 6