



US00D893501S

(12) **United States Design Patent** (10) **Patent No.:** **US D893,501 S**
Burmester (45) **Date of Patent:** **** Aug. 18, 2020**

(54) **SUPPORT FOR COMPUTER TERMINALS AND COMPUTER KEYBOARDS**

(71) Applicant: **Ergonomic Solutions International Limited**, Surrey (GB)

(72) Inventor: **Benny Burmester**, Norresundby (DK)

(73) Assignee: **ERGONOMIC SOLUTIONS INTERNATIONAL LIMITED**, Surrey (GB)

(**) Term: **15 Years**

(21) Appl. No.: **29/692,721**

(22) Filed: **May 28, 2019**

Related U.S. Application Data

(60) Continuation of application No. 29/588,802, filed on Dec. 22, 2016, now abandoned, which is a division of application No. 29/543,067, filed on Oct. 20, 2015, now Pat. No. Des. 846,554.

(51) **LOC (12) Cl.** **14-02**

(52) **U.S. Cl.**
USPC **D14/447**

(58) **Field of Classification Search**
USPC D14/447-452, 336, 337, 341, 371-377, D14/126, 127, 128, 129
CPC F16M 11/105; F16M 11/10; F16M 11/048; F16M 11/12; F16M 13/022
See application file for complete search history.

(56) **References Cited**

U.S. PATENT DOCUMENTS

D291,316 S	8/1987	Johnston et al.	
D323,085 S	1/1992	Konkel	
D409,018 S	5/1999	Deuschle	
D426,200 S *	6/2000	Aeschbacher D14/126
D454,136 S	3/2002	Deuschle	

D563,693 S	3/2008	Calleja	
D614,613 S	4/2010	Kim et al.	
D693,352 S	11/2013	Gelsomini et al.	
D696,674 S *	12/2013	Vogel D14/447
D704,195 S	5/2014	Marquette	
D708,187 S	7/2014	Xiang	
D724,598 S	3/2015	Gelsomini et al.	
D729,222 S *	5/2015	Grziwok D14/253
9,038,971 B1 *	5/2015	Guthrie F16M 13/022 248/121

(Continued)

FOREIGN PATENT DOCUMENTS

DE 19525391 A1 2/1996

OTHER PUBLICATIONS

Amazon. <URL: https://www.amazon.com/dp/B01M65SRGV/ref=sspa_dk_detail_2?psc=1> Oct. 18, 2016. Terminal Stand.

Primary Examiner — Lauren D McVey

(74) *Attorney, Agent, or Firm* — Berg Hill Greenleaf Ruscitti LLP.

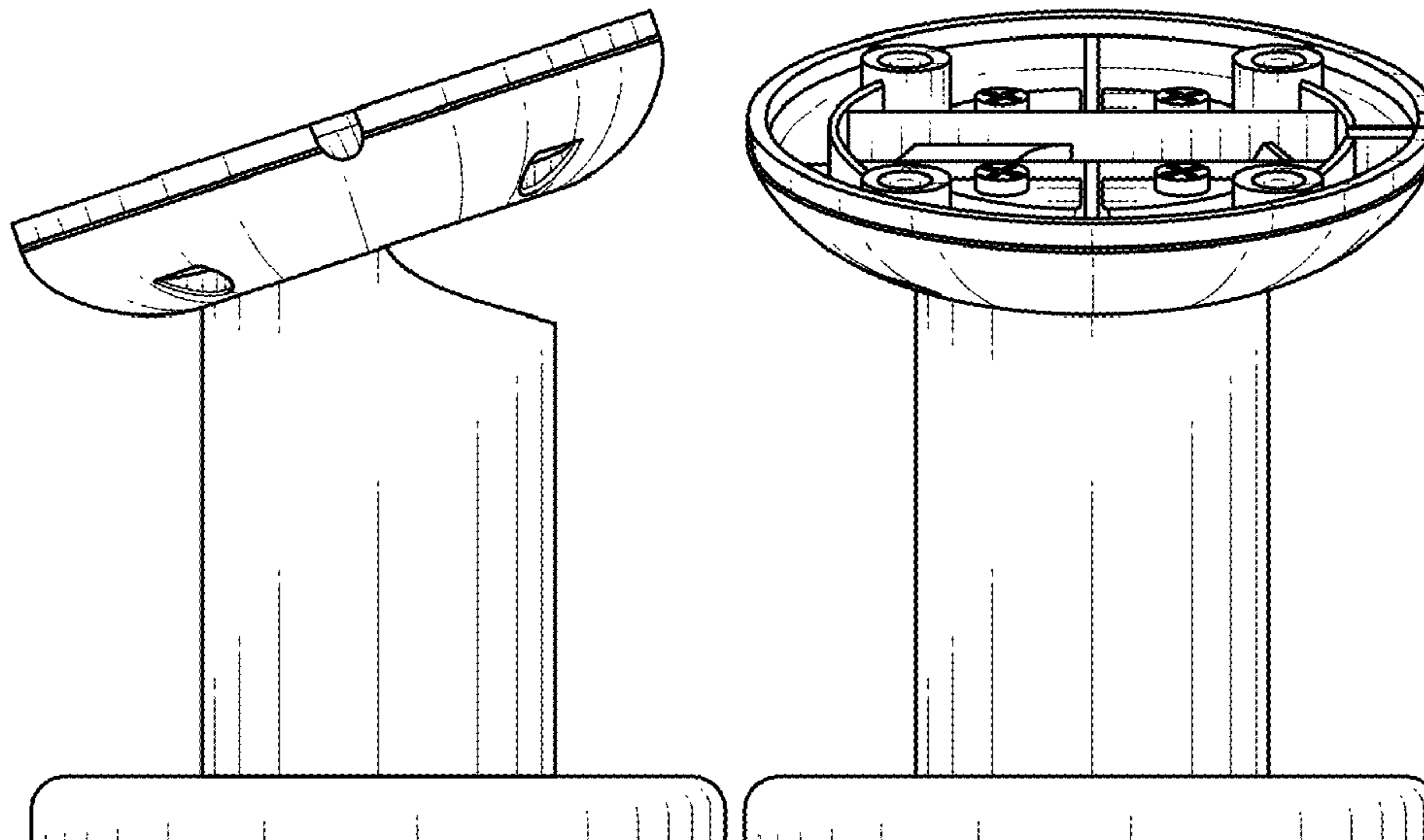
(57) **CLAIM**

The ornamental design for a support for computer terminals and computer keyboards, as shown and described.

DESCRIPTION

FIG. 1 is a rear elevation view of a support for computer terminals and computer keyboards showing my new design; FIG. 2 is a left side elevation view thereof; FIG. 3 is a right side elevation view thereof; FIG. 4 is a front elevation view thereof; FIG. 5 is a top plan view thereof; and, FIG. 6 is a top left perspective view thereof. The broken lines depict portions of the support for computer terminals and computer keyboards that form no part of the claimed design.

1 Claim, 2 Drawing Sheets



(56)

References Cited

U.S. PATENT DOCUMENTS

D752,595 S	3/2016	Heckler	
D772,739 S *	11/2016	Browning	D10/74
D797,748 S *	9/2017	Robinson	D14/447
D803,840 S	11/2017	Burmester	
D806,084 S *	12/2017	Nelson	D14/447
D806,085 S	12/2017	Nelson et al.	
D806,714 S *	1/2018	Nelson	D14/447
D808,396 S *	1/2018	Nelson	D14/447
D824,917 S *	8/2018	Nelson	D14/447
D846,554 S *	4/2019	Burmester	D14/447
D865,751 S *	11/2019	Richter	D14/253
2014/0263884 A1 *	9/2014	Grziwok	F16M 11/06 248/176.3

* cited by examiner

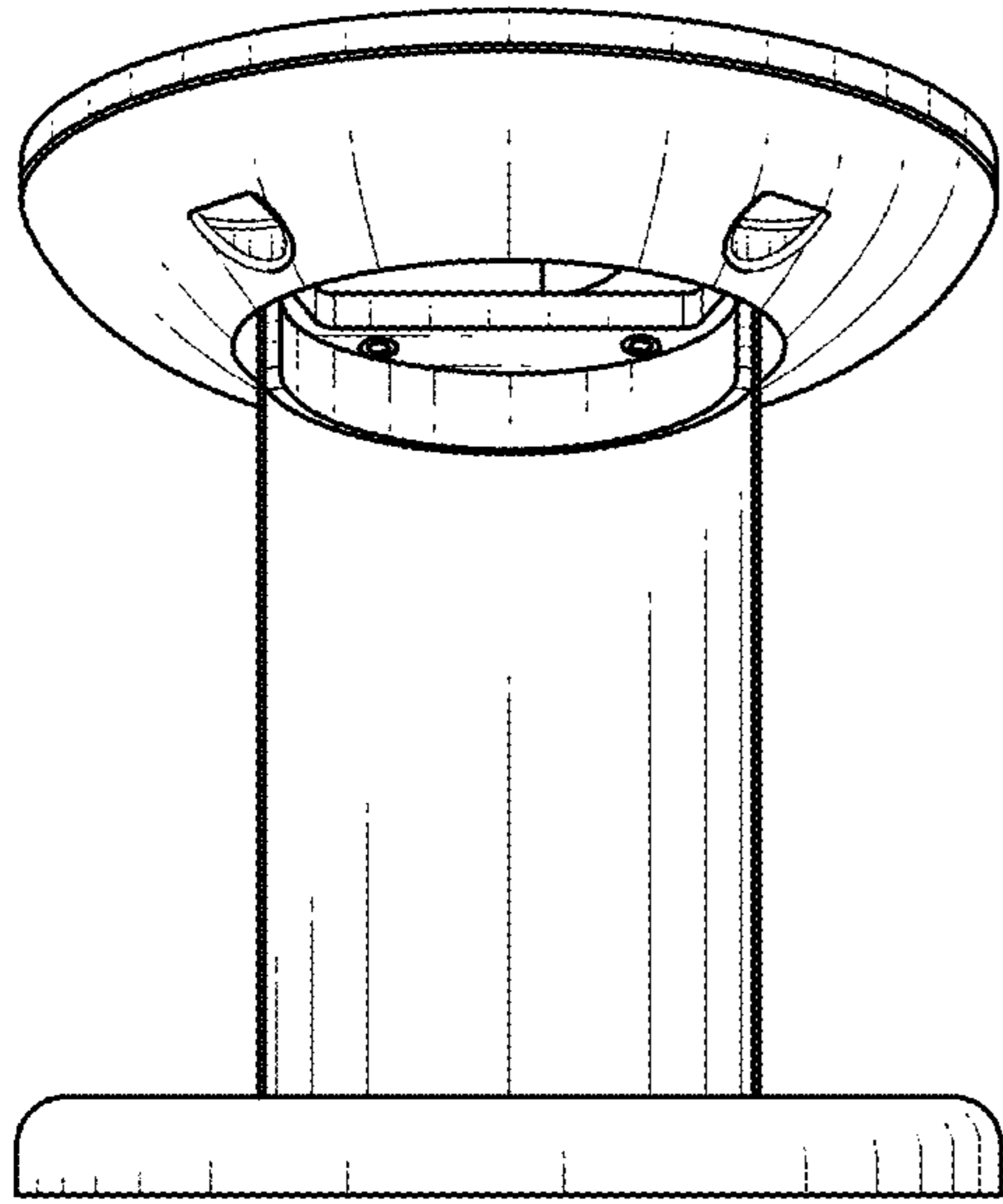


FIG. 1

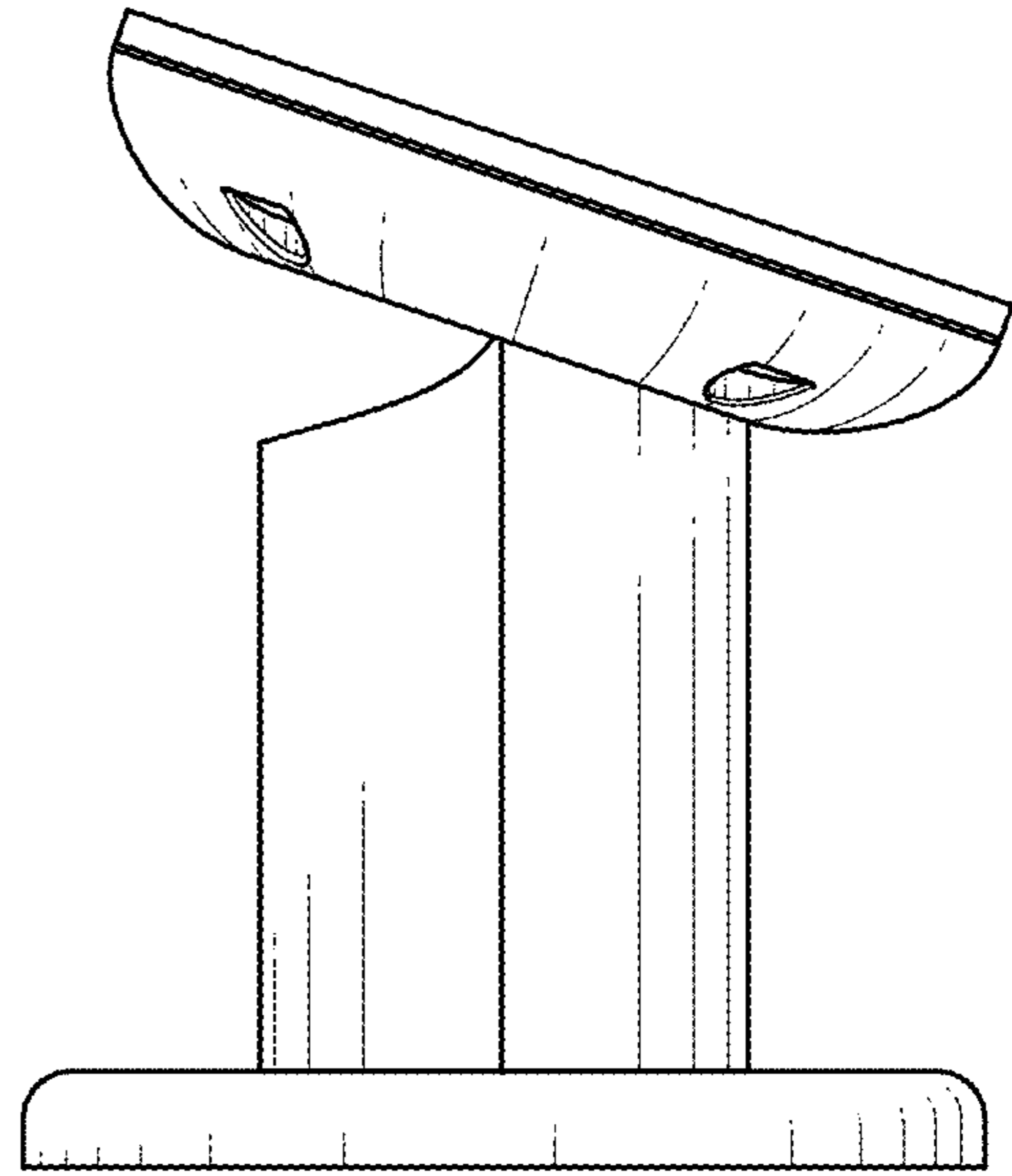


FIG. 2

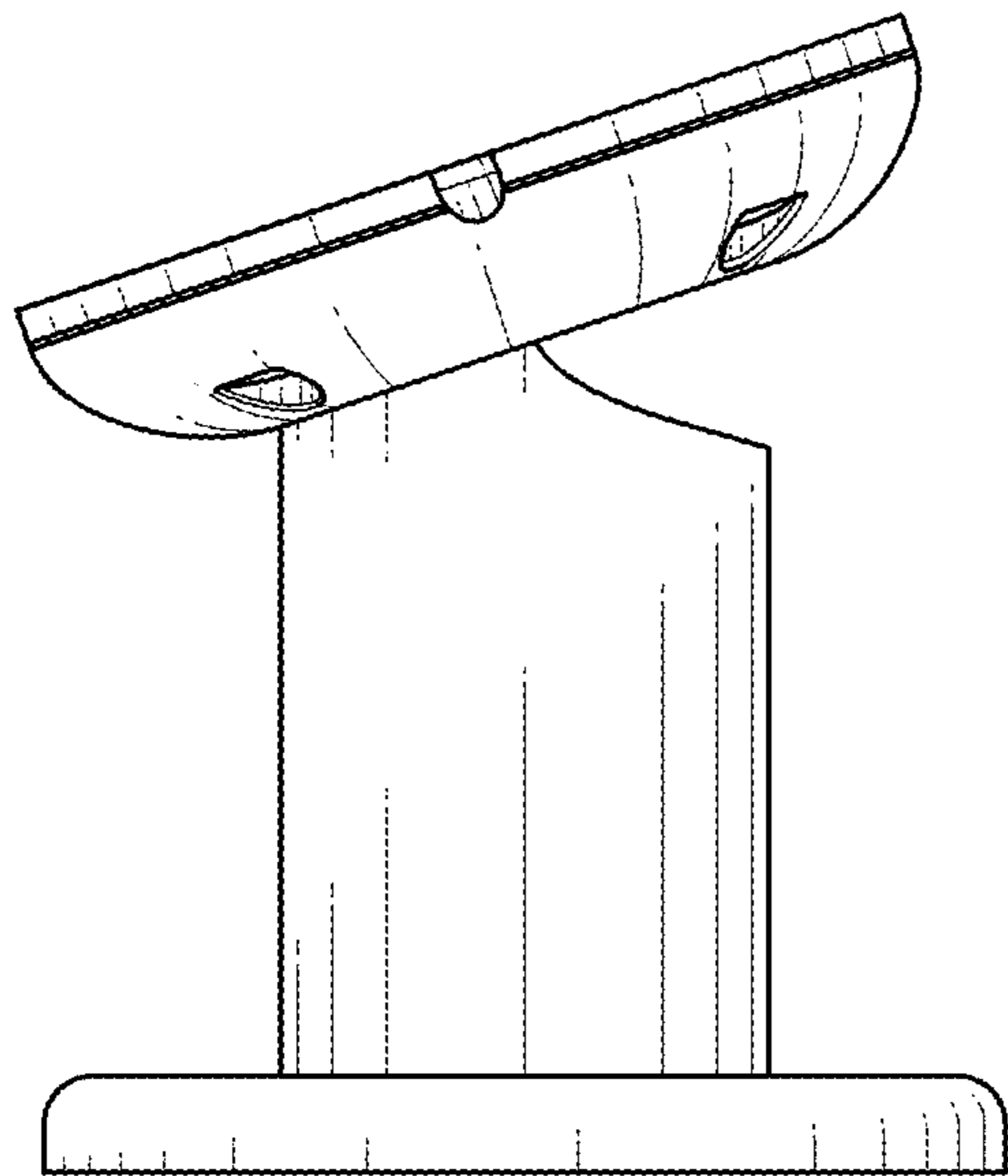


FIG. 3

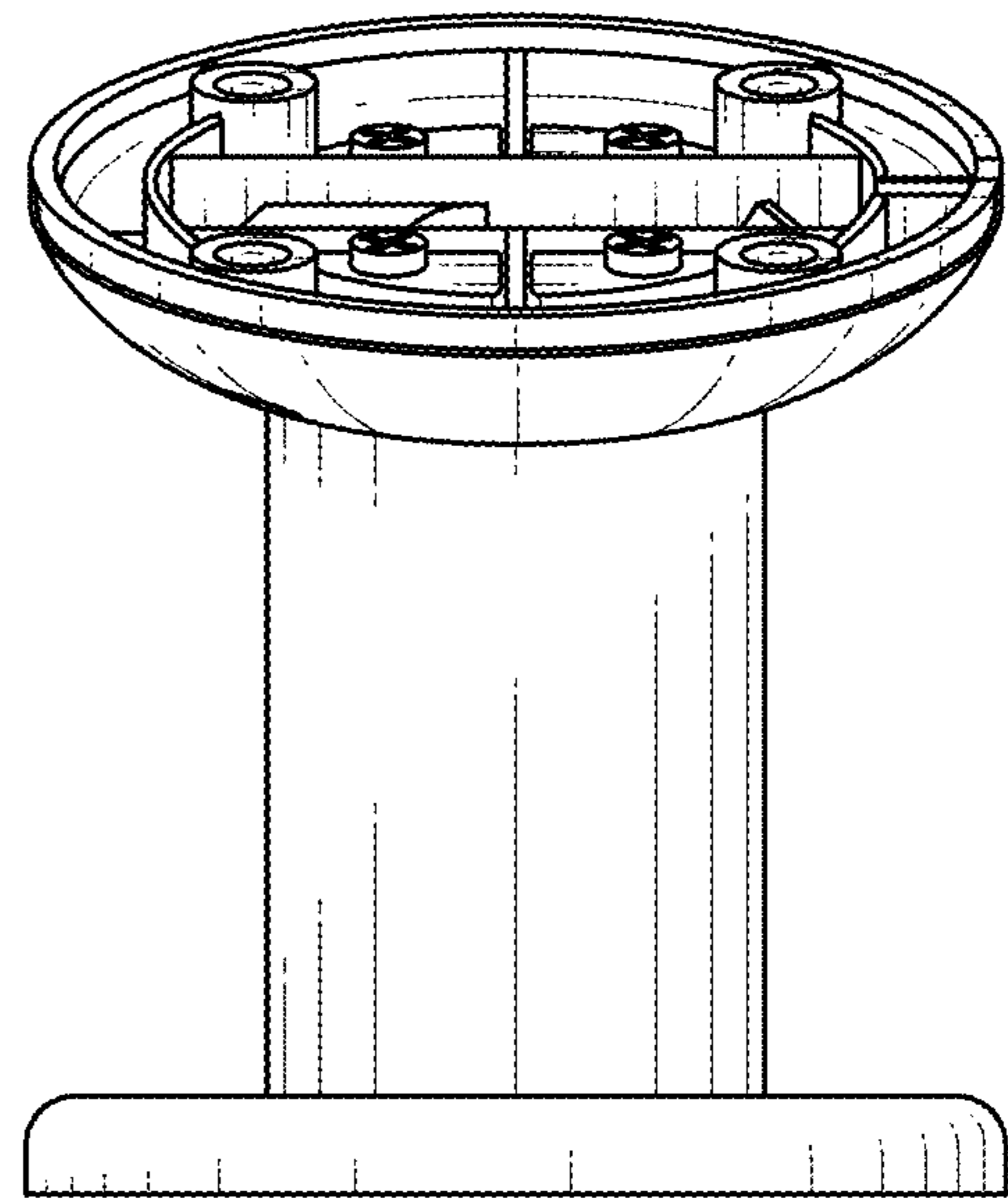


FIG. 4

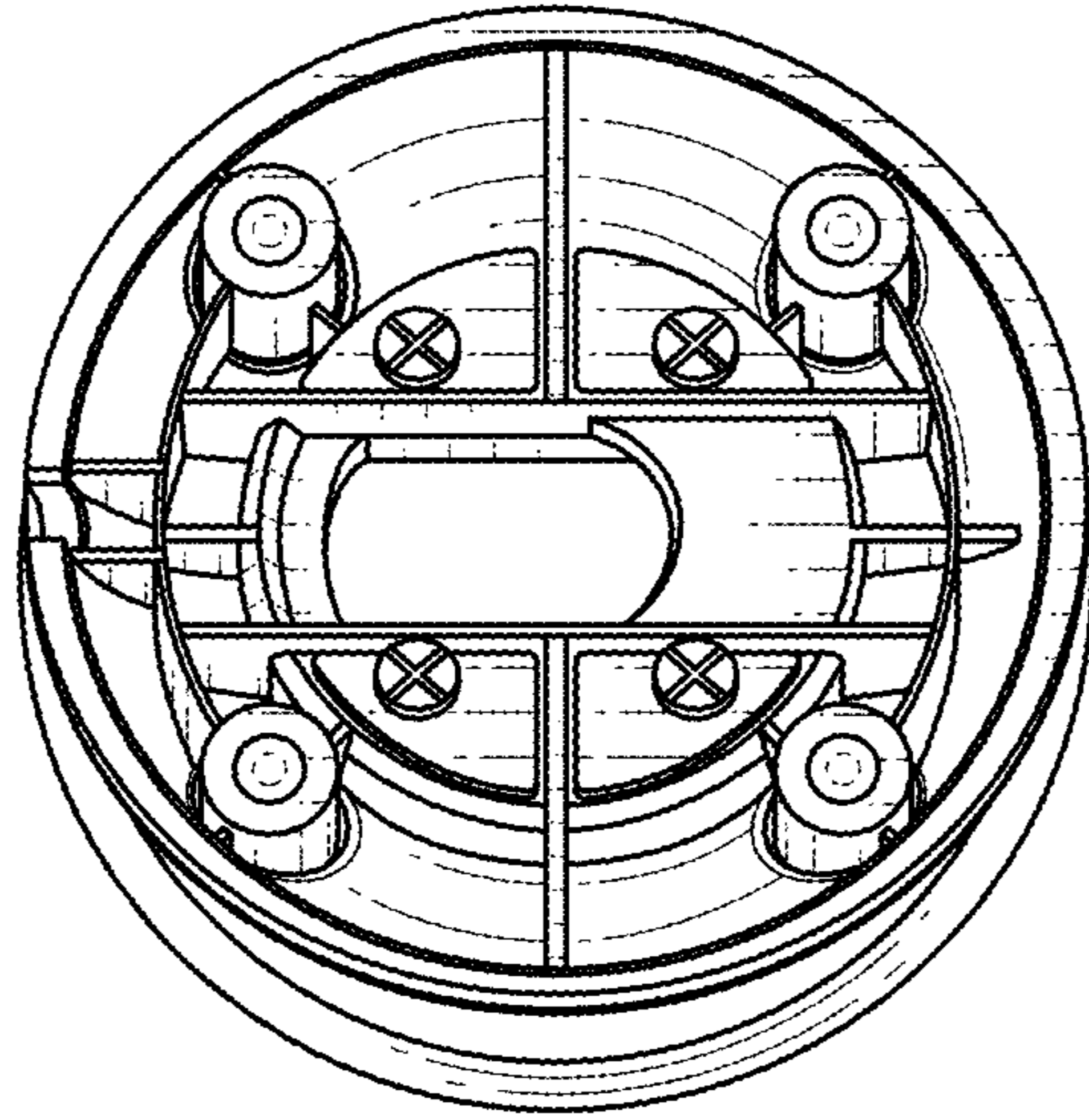


FIG. 5

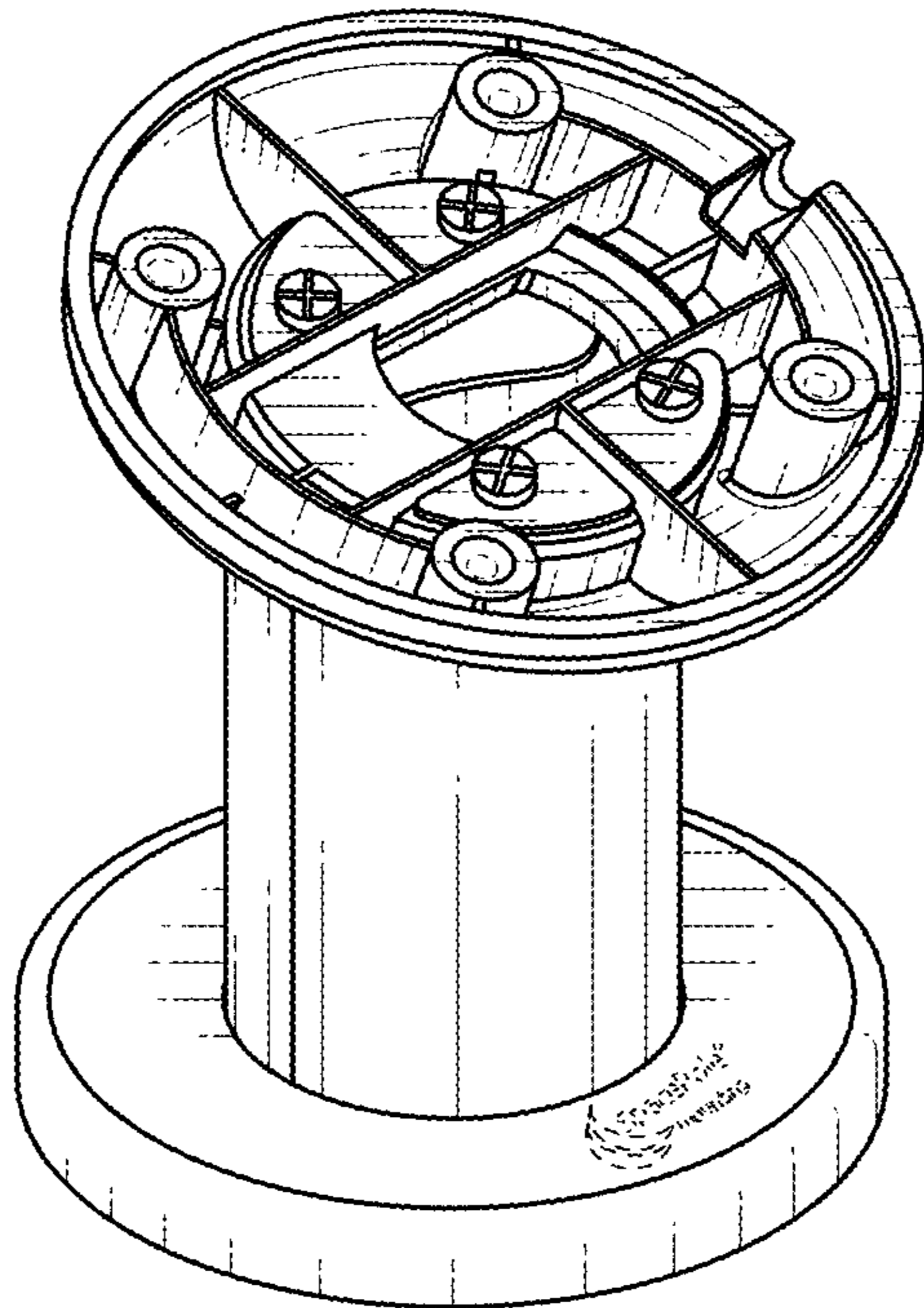


FIG. 6