



US00D893500S

(12) **United States Design Patent**  
**Burmester**

(10) **Patent No.:** **US D893,500 S**

(45) **Date of Patent:** **\*\* Aug. 18, 2020**

(54) **SUPPORT FOR COMPUTER TERMINALS  
AND COMPUTER KEYBOARDS**

(71) Applicant: **Ergonomic Solutions International  
Limited, Surrey (GB)**

(72) Inventor: **Benny Burmester, Norresundby (DK)**

(73) Assignee: **ERGONOMIC SOLUTIONS  
INTERNATIONAL LIMITED, Surrey  
(GB)**

(\*\*) Term: **15 Years**

(21) Appl. No.: **29/689,372**

(22) Filed: **Apr. 29, 2019**

**Related U.S. Application Data**

(60) Continuation-in-part of application No. 29/588,805,  
filed on Dec. 22, 2016, now abandoned, which is a  
division of application No. 29/543,067, filed on Oct.  
20, 2015, now Pat. No. Des. 846,554.

(51) **LOC (12) Cl.** ..... **14-02**

(52) **U.S. Cl.**  
USPC ..... **D14/447**

(58) **Field of Classification Search**  
USPC ..... D14/447-452, 336, 337, 341, 371-377,  
D14/126, 127, 128, 129  
CPC .... F16M 11/105; F16M 11/10; F16M 11/048;  
F16M 11/12; F16M 13/022  
See application file for complete search history.

(56) **References Cited**

**U.S. PATENT DOCUMENTS**

D426,200 S \* 6/2000 Aeschbacher ..... D14/126  
D696,674 S \* 12/2013 Vogel ..... D14/447

D729,222 S \* 5/2015 Grziwok ..... D14/253  
9,038,971 B1 \* 5/2015 Guthrie ..... F16M 13/022  
248/121  
D772,739 S \* 11/2016 Browning ..... D10/74  
D797,748 S \* 9/2017 Robinson ..... D14/447  
D803,840 S \* 11/2017 Burmester ..... D14/447  
D806,085 S \* 12/2017 Nelson ..... D14/447  
D806,714 S \* 1/2018 Nelson ..... D14/447  
D808,396 S \* 1/2018 Nelson ..... D14/447  
D824,917 S \* 8/2018 Nelson ..... D14/447  
D846,554 S \* 4/2019 Burmester ..... D14/447  
2014/0263884 A1 \* 9/2014 Grziwok ..... F16M 11/06  
248/176.3

\* cited by examiner

*Primary Examiner* — Lauren D McVey

(74) *Attorney, Agent, or Firm* — Berg Hill Greenleaf  
Ruscitti, LLP.

(57) **CLAIM**

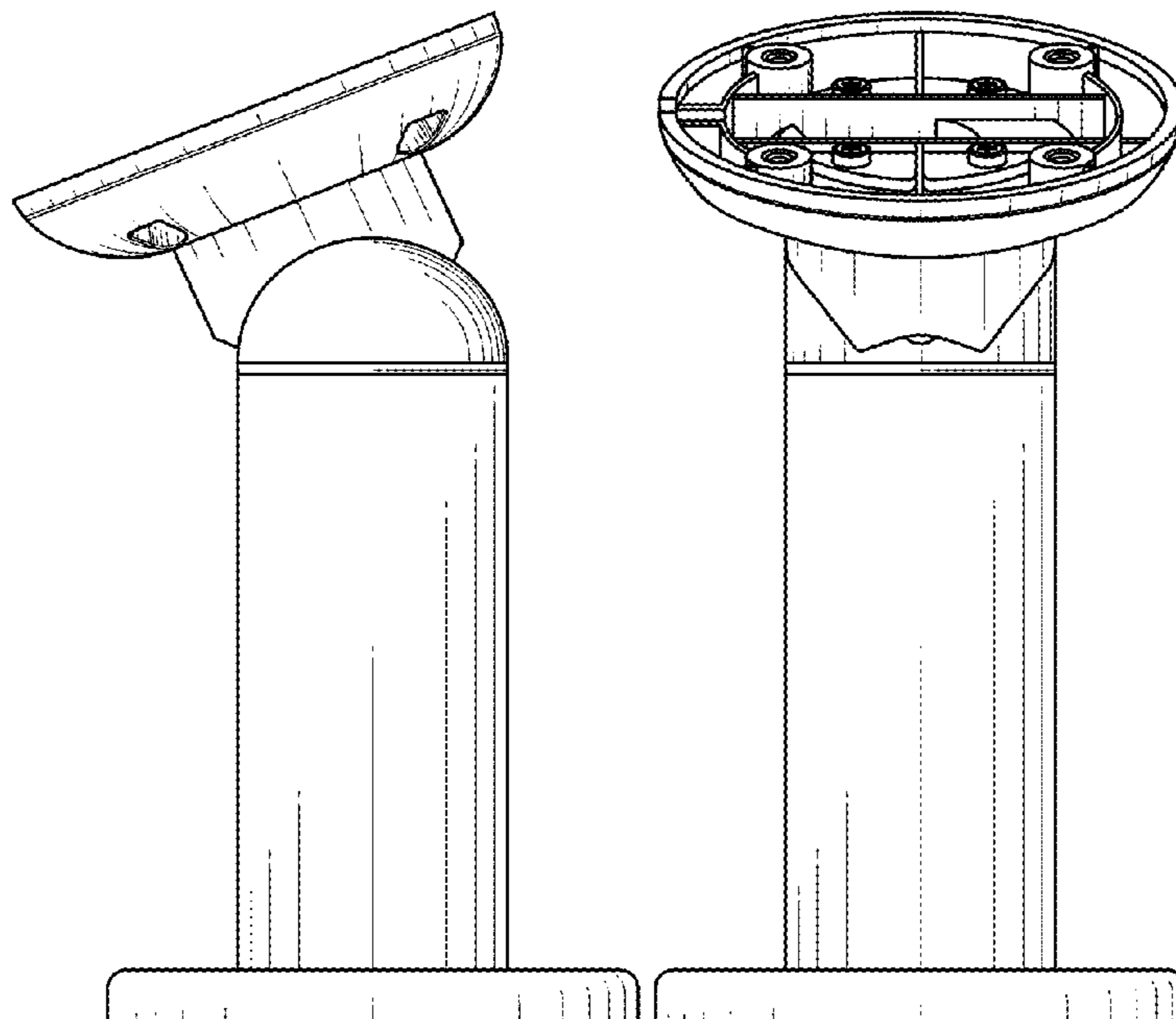
The ornamental design for a support for computer terminals  
and computer keyboards, as shown and described.

**DESCRIPTION**

FIG. 1 is a rear elevation view of a support for computer  
terminals and computer keyboards showing my new design;  
FIG. 2 is a left side elevation view thereof;  
FIG. 3 is a right side elevation view thereof;  
FIG. 4 is a front elevation view thereof;  
FIG. 5 is a top plan view thereof; and,  
FIG. 6 is a top left perspective view thereof.

The broken lines immediately adjacent the claim depict the  
bounds of the claimed design, while all other broken lines  
are directed to environment. The broken lines form no part  
of the claimed design.

**1 Claim, 2 Drawing Sheets**



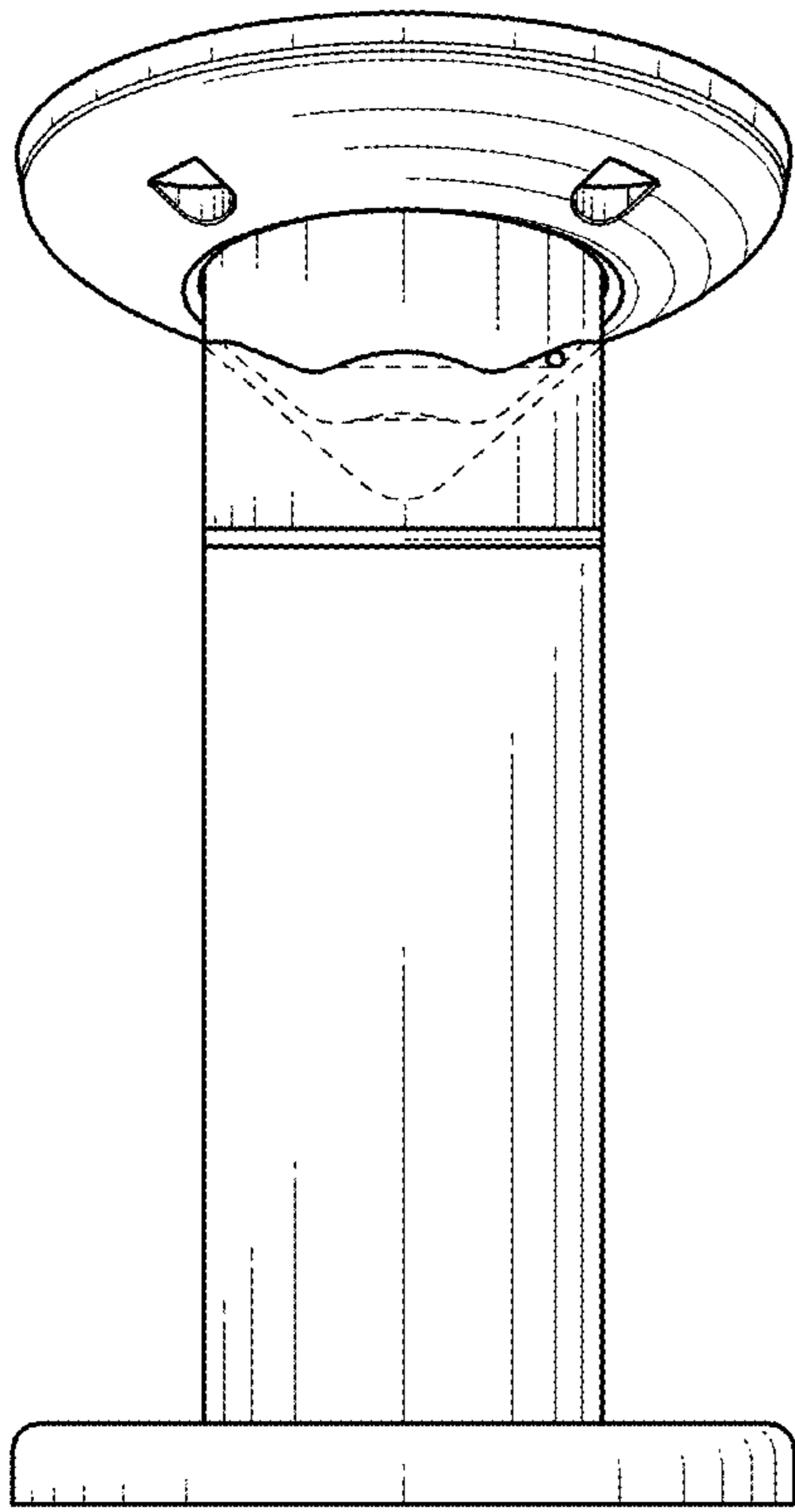


FIG. 1

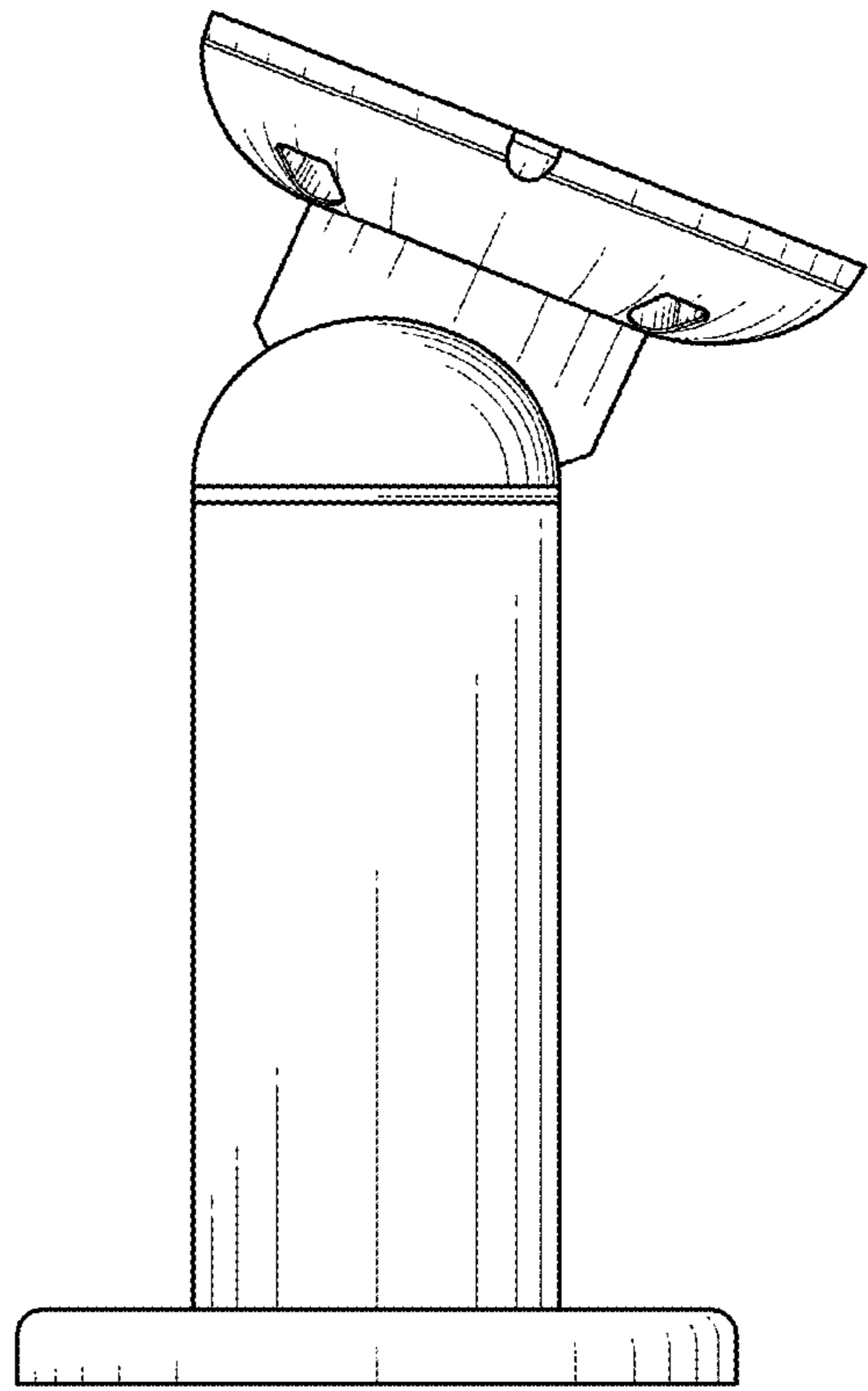


FIG. 2

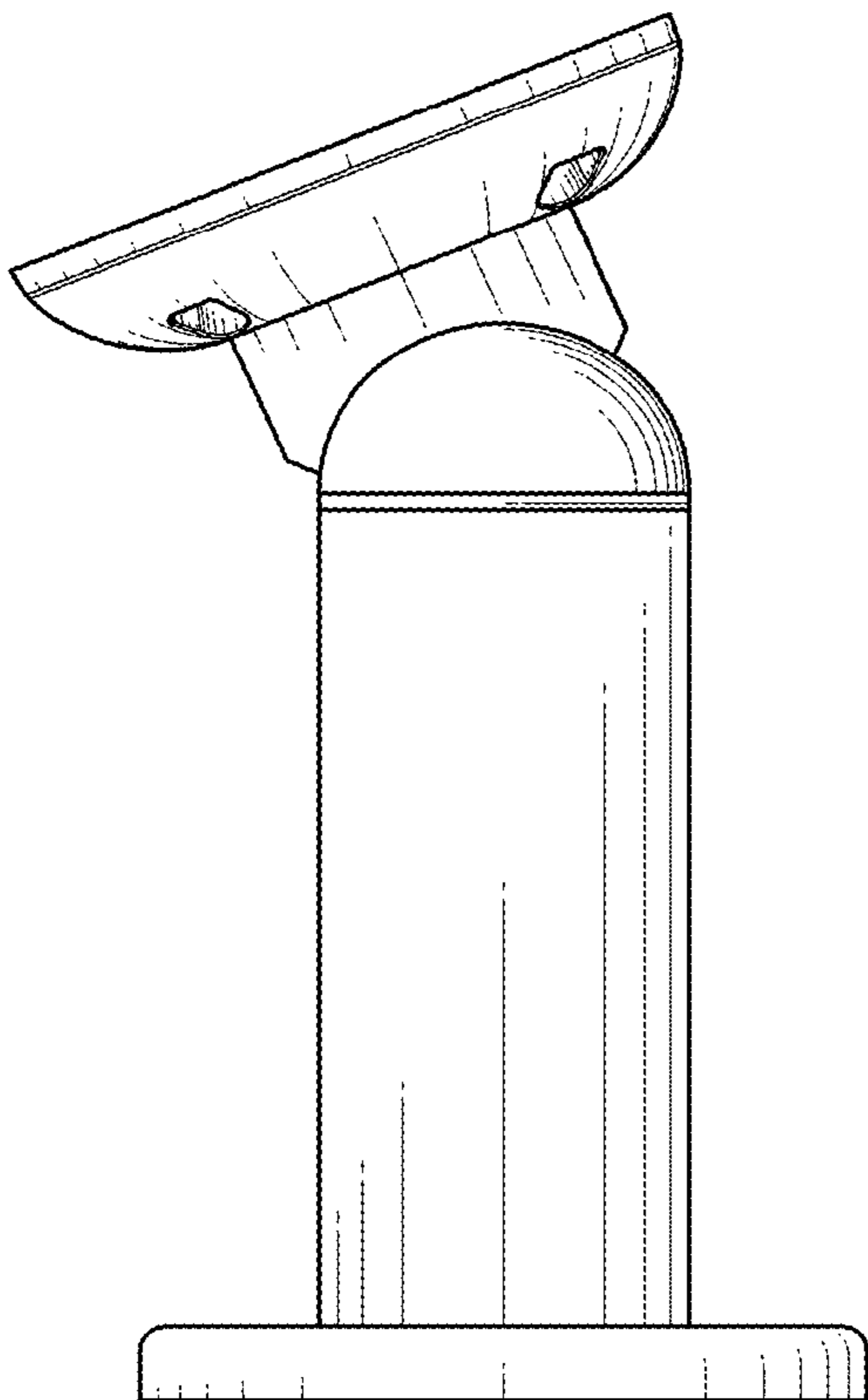


FIG. 3

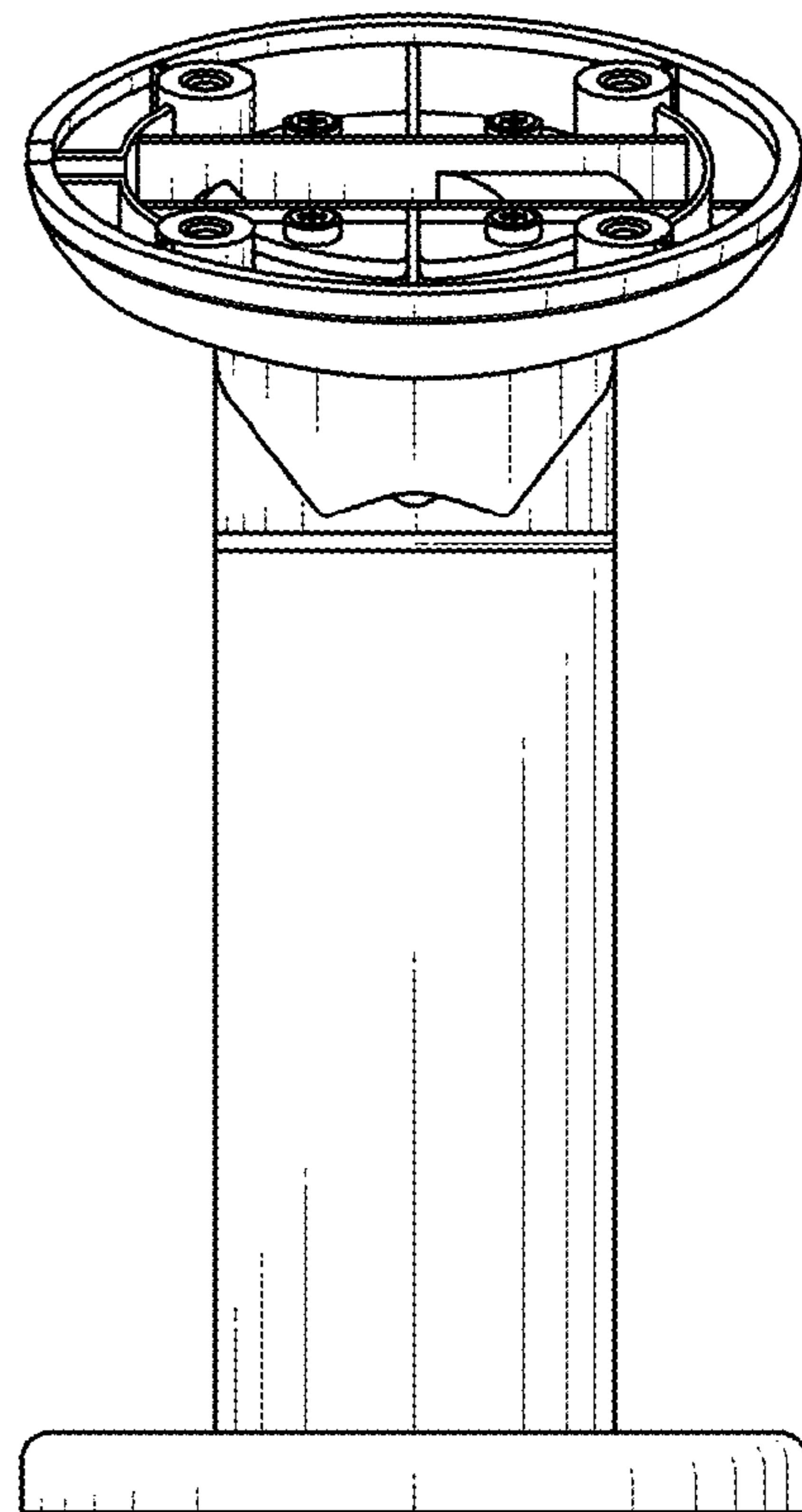


FIG. 4

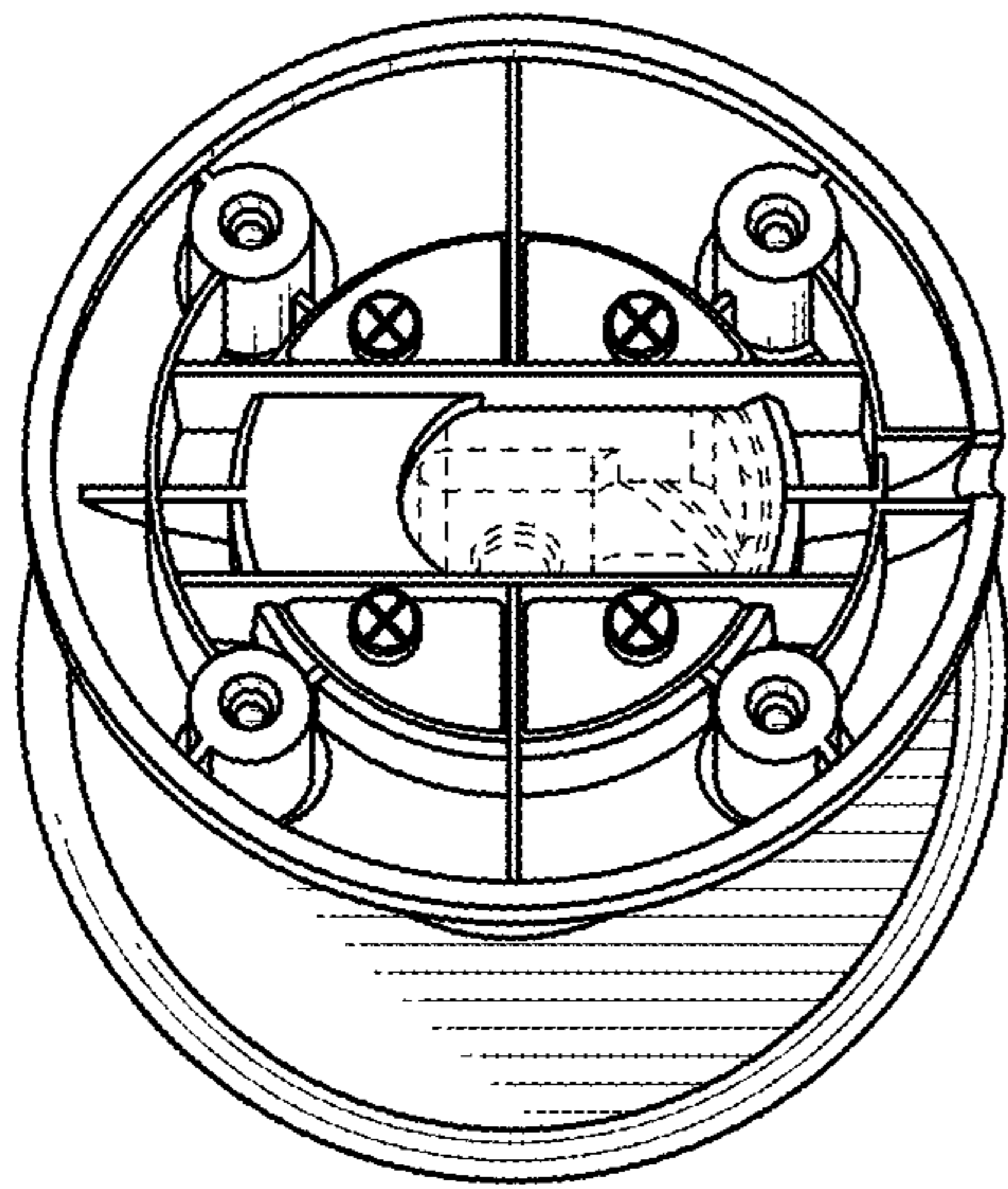


FIG. 5

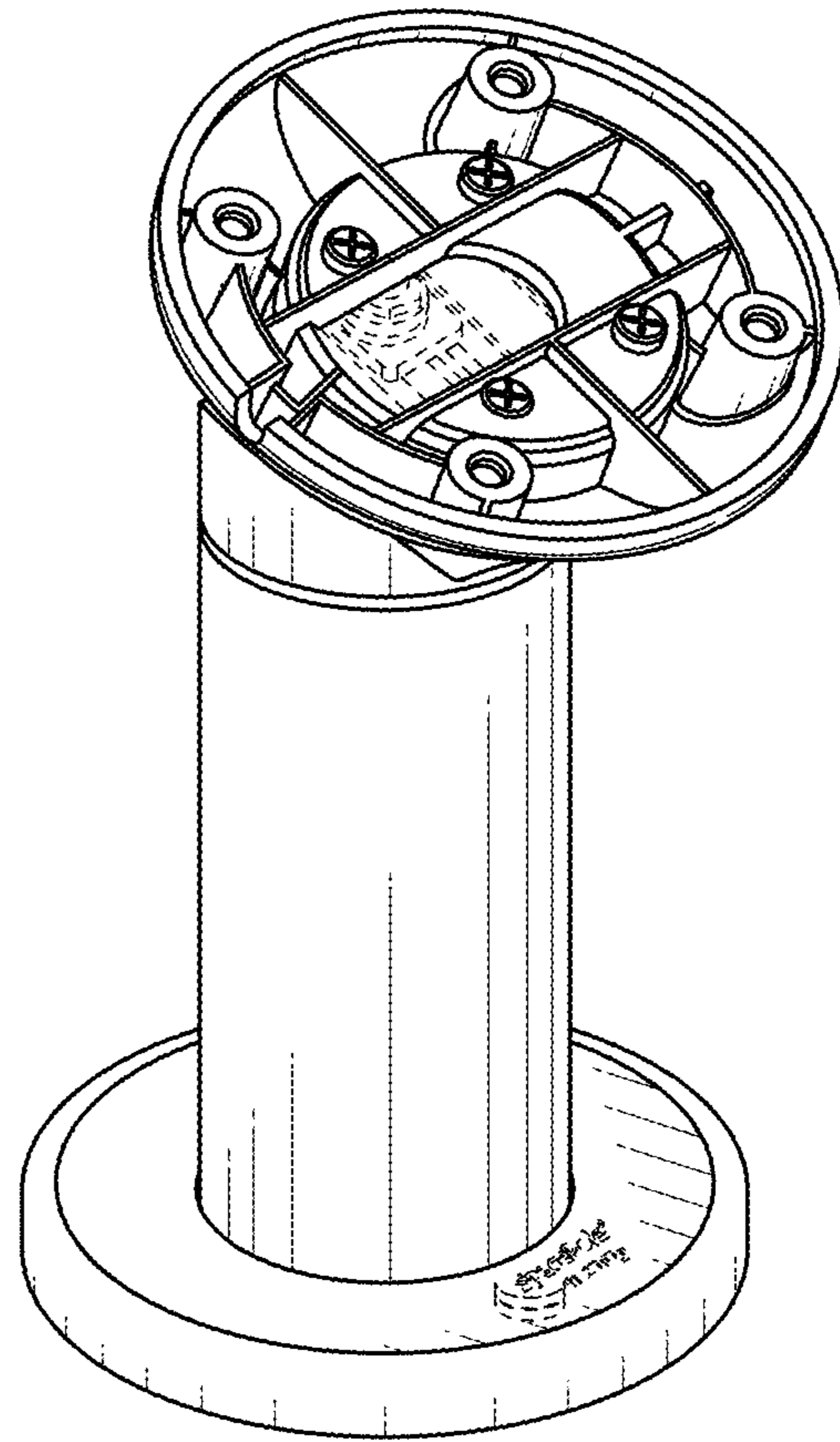


FIG. 6