



US00D893499S

(12) **United States Design Patent**
Kirkpatrick

(10) **Patent No.:** **US D893,499 S**

(45) **Date of Patent:** **** Aug. 18, 2020**

(54) **COOLING STAND FOR AN ELECTRONIC DEVICE**

(71) Applicant: **Chad Kirkpatrick**, Portland, OR (US)

(72) Inventor: **Chad Kirkpatrick**, Portland, OR (US)

(**) Term: **15 Years**

(21) Appl. No.: **29/656,807**

(22) Filed: **Jul. 16, 2018**

(51) **LOC (12) Cl.** **14-99**

(52) **U.S. Cl.**
USPC **D14/447**

(58) **Field of Classification Search**
USPC D14/250-254, 224, 224.1, 238.1, 434,
D14/447, 451, 452, 483, 238, 375, 457;
D12/400, 415-418, 420, 426.1, 114, 223;
D16/242, 245; D10/74; D3/218;
D13/107, 108; D6/553, 567, 672, 682,
D6/310, 362, 708; D19/84, 86, 90, 91;
D23/371

CPC B60R 11/00; B60R 11/02; B60R 11/0241;
B60R 11/0252; B60R 2011/0003; B60R
2011/0005; B60R 2011/0008; H04M
1/04; H04B 1/3877; A45F 2200/0516;
A45F 2200/0525; H05K 5/0204; F16M
13/02; F16M 13/022; F16M 11/04; F16M
11/041; F16M 11/14; F16M 11/22; F16B
2/12; H01F 7/0252; G03B 17/561
See application file for complete search history.

(56) **References Cited**

U.S. PATENT DOCUMENTS

D455,755 S * 4/2002 Levine D14/447
6,707,668 B2 * 3/2004 Huang G06F 1/203
248/676
6,711,014 B2 3/2004 Masato
6,738,256 B2 * 5/2004 Hsieh G06F 1/203
165/121
6,837,058 B1 1/2005 McEuen

D505,556 S * 5/2005 Keigley D6/310
7,116,554 B2 10/2006 Lee
D531,631 S * 11/2006 Andre D14/375
D532,011 S * 11/2006 Andre D14/375
D555,162 S * 11/2007 Park D14/447
D559,850 S * 1/2008 Lye D14/447

(Continued)

OTHER PUBLICATIONS

Svalt Launches New Lineup of Cooling Stands and Docks for Macs, by Juli Clover, Posted on Jan. 22, 2020, [online], [site visited Dec. 30, 2019], Retrieved from URL: <https://www.macrumors.com/2020/01/22/svalt-mac-cooling-stands-docks/> (Year: 2020).*

(Continued)

Primary Examiner — Jeffrey D Asch
Assistant Examiner — Rebekah A Caruso
(74) *Attorney, Agent, or Firm* — Klarquist Sparkman, LLP

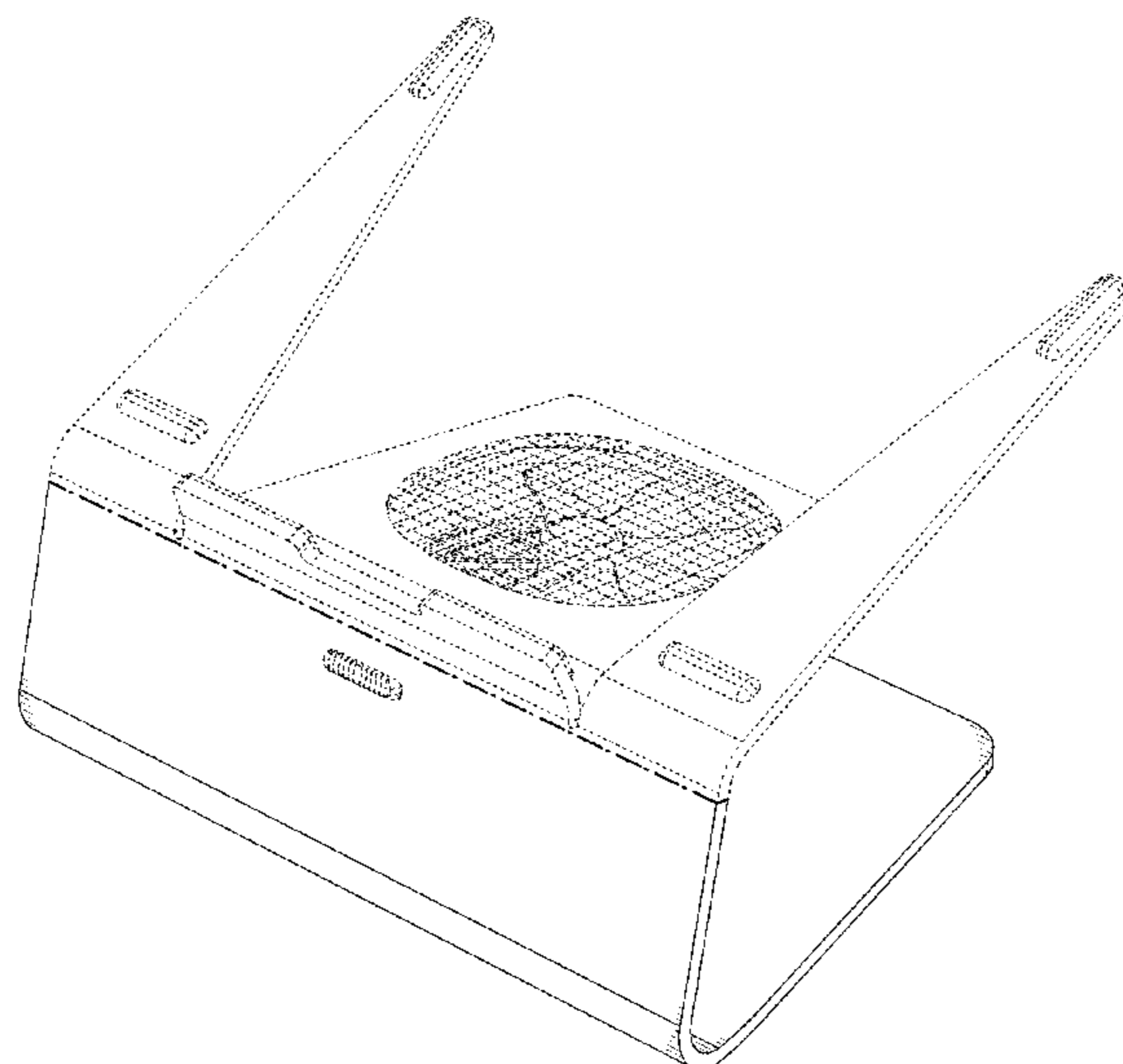
(57) **CLAIM**

The ornamental design for a cooling stand for an electronic device, as shown and described.

DESCRIPTION

FIG. 1 is a front, side and top perspective view of the cooling stand for an electronic device;
FIG. 2 is a back, side and top perspective view thereof;
FIG. 3 is a front elevational view thereof;
FIG. 4 is a back elevational view thereof;
FIG. 5 is a top plan view thereof; and,
FIG. 6 is a left side elevational view thereof; the right side elevational view is a mirror image of the left side.
The broken lines shown in the drawings represent portions of the cooling stand for an electronic device that form no part of the claimed design or illustrate environment that forms no part of the claimed design.
The dash-dot-dash broken lines define the bounds of the claimed design and form no part thereof.

1 Claim, 6 Drawing Sheets



(56)

References Cited

U.S. PATENT DOCUMENTS

7,375,967 B2 5/2008 Huang
 D574,005 S * 7/2008 Chung D14/447
 D578,130 S * 10/2008 Sween D14/447
 7,480,140 B2 1/2009 Hara
 D592,188 S * 5/2009 Huang D14/217
 D605,193 S * 12/2009 Andre D14/336
 D610,138 S * 2/2010 Andre D14/336
 7,663,876 B2 * 2/2010 Lin G06F 1/203
 361/679.47
 D632,380 S * 2/2011 Kim D23/371
 D632,775 S * 2/2011 Kim D23/371
 7,885,068 B2 * 2/2011 Seo G06F 1/203
 361/694
 D637,194 S 5/2011 Kuroda
 D646,904 S * 10/2011 Feldstein D6/310
 D648,339 S 11/2011 O'Neil
 D649,153 S * 11/2011 Symons D14/447
 D671,543 S 11/2012 Sogabe
 D678,886 S * 3/2013 Heckler D14/447
 D683,141 S * 5/2013 Symons D14/447
 D690,708 S * 10/2013 Smith D14/447
 D692,009 S 10/2013 Ashida
 D699,245 S * 2/2014 Lee D14/447
 D703,673 S * 4/2014 Kittlaus D14/447
 D703,676 S * 4/2014 Smith D14/447
 D719,142 S * 12/2014 Lee D14/239
 8,926,414 B1 * 1/2015 Kirkpatrick H05K 7/20136
 361/679.41
 D756,367 S * 5/2016 Kim D14/447
 D767,575 S * 9/2016 Green D14/447
 D788,778 S * 6/2017 Magi D14/434
 D788,780 S * 6/2017 Chen D14/447
 D789,348 S * 6/2017 Kim D14/250
 D791,763 S * 7/2017 Akana D14/336
 D791,861 S * 7/2017 Battle D14/447
 D800,134 S * 10/2017 McDonald D14/447
 D816,027 S * 4/2018 Chen D13/108

D821,122 S * 6/2018 Wang D6/682
 D821,787 S * 7/2018 Wang D6/682
 D852,803 S * 7/2019 Lin D14/447
 D856,343 S * 8/2019 Kijiya D14/447
 D857,698 S * 8/2019 Hu D14/447
 D857,700 S * 8/2019 Zeng D14/447
 D866,547 S * 11/2019 Godman D14/253
 D870,718 S * 12/2019 Peters D14/253
 2006/0262497 A1 11/2006 Jahlokov
 2007/0291451 A1 12/2007 Takenoshita
 2009/0179131 A1 * 7/2009 Lord G06F 1/1632
 248/346.5

OTHER PUBLICATIONS

Screenshot of <https://www.raindesigninc.com/> page titled "iLevel" which was accessed on Jul. 13, 2018.
 Screenshot of <https://www.raindesigninc.com/> page titled "mBar" which was accessed on Jul. 13, 2018.
 Screenshot of <https://www.raindesigninc.com/> page titled "mBar pro" which was accessed on Jul. 13, 2018.
 Screenshot of <https://www.raindesigninc.com/> page titled "mStand" which was accessed on Jul. 13, 2018.
 Screenshot of <https://www.raindesigninc.com/> page titled "mStand 360" which was accessed on Jul. 13, 2018.
 Screenshot of <https://www.twelvesouth.com/> page titled "Curve for MacBook" which was accessed on Jul. 13, 2018.
 Screenshot of <https://www.twelvesouth.com/> page titled "HiRise for MacBook" which was accessed on Jul. 13, 2018.
 Screenshot of <https://www.twelvesouth.com/> page titled "ParcSlope for MacBook & iPad Pro" which was accessed on Jul. 13, 2018.
 Screenshot of <https://griffintechology.com/> page titled "Elevator Overview" which was accessed on Jul. 13, 2018.
 Screenshot of <http://www.thermaltakeusa.com/> page titled "Cooler" which was accessed on Jul. 13, 2018.
 Screenshot of <https://www.therooststand.com/> page titled "Roost Laptop Stand" which was accessed on Jul. 13, 2018.

* cited by examiner

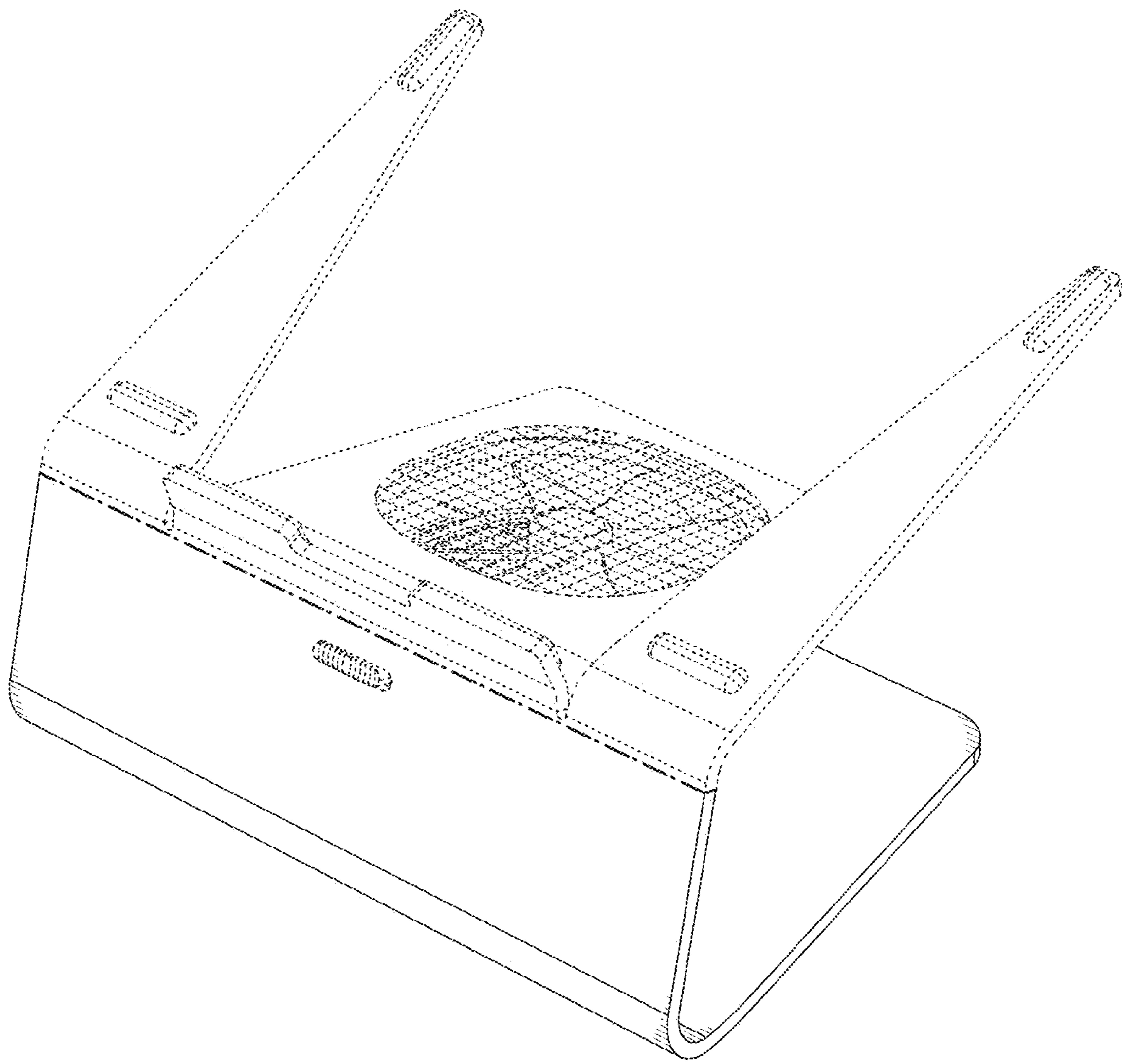


FIG. 1

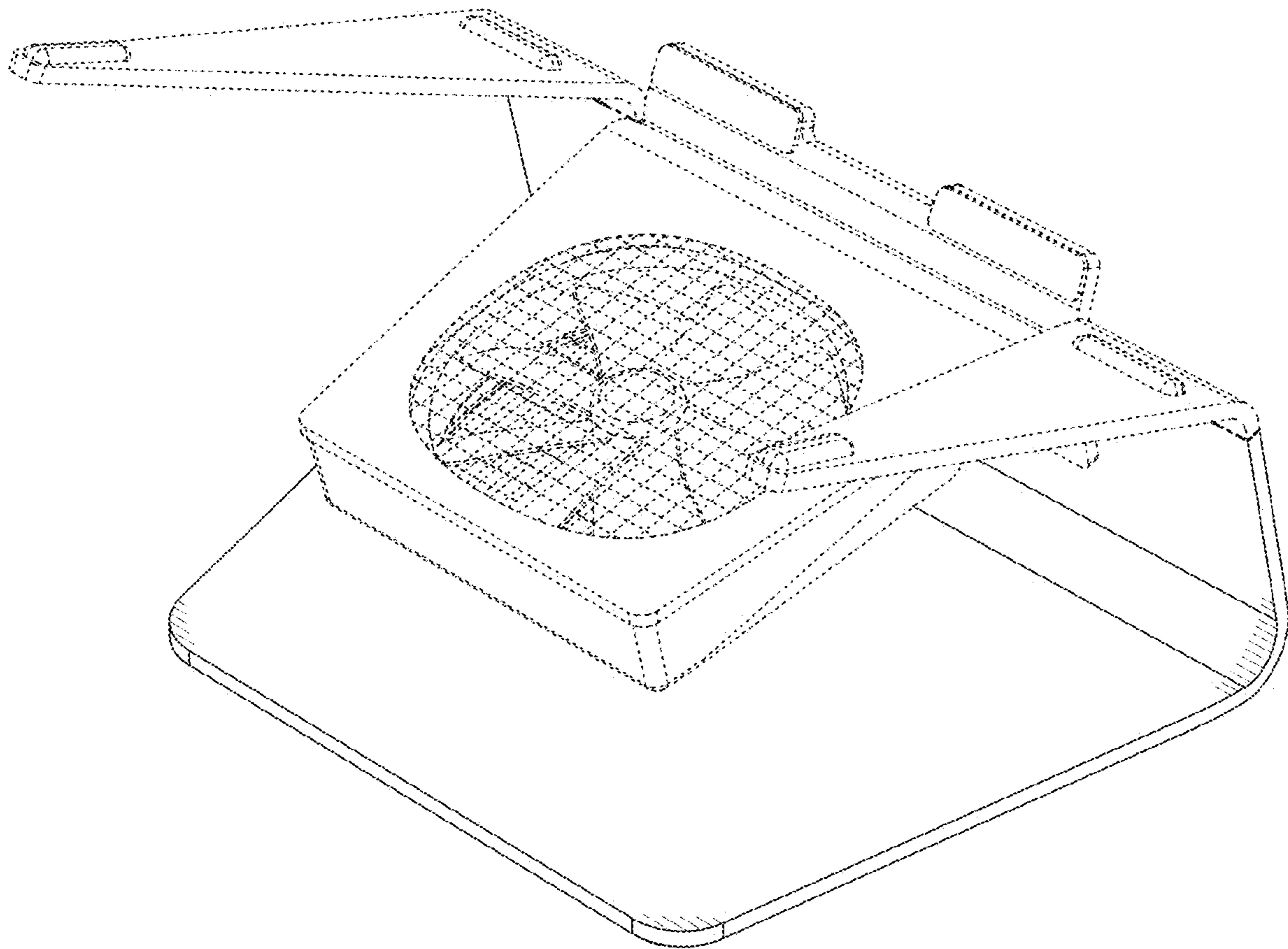


FIG. 2

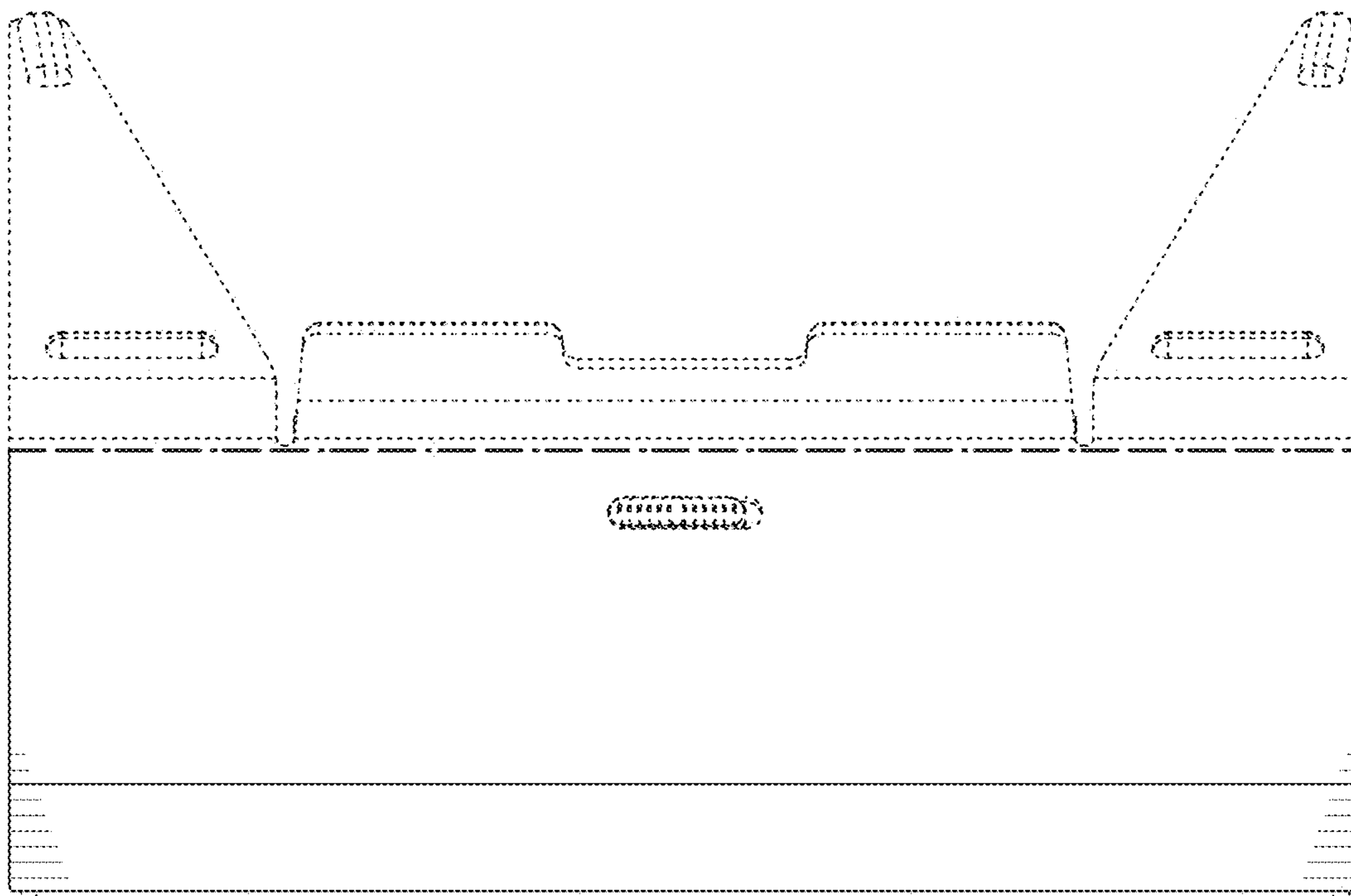


FIG. 3

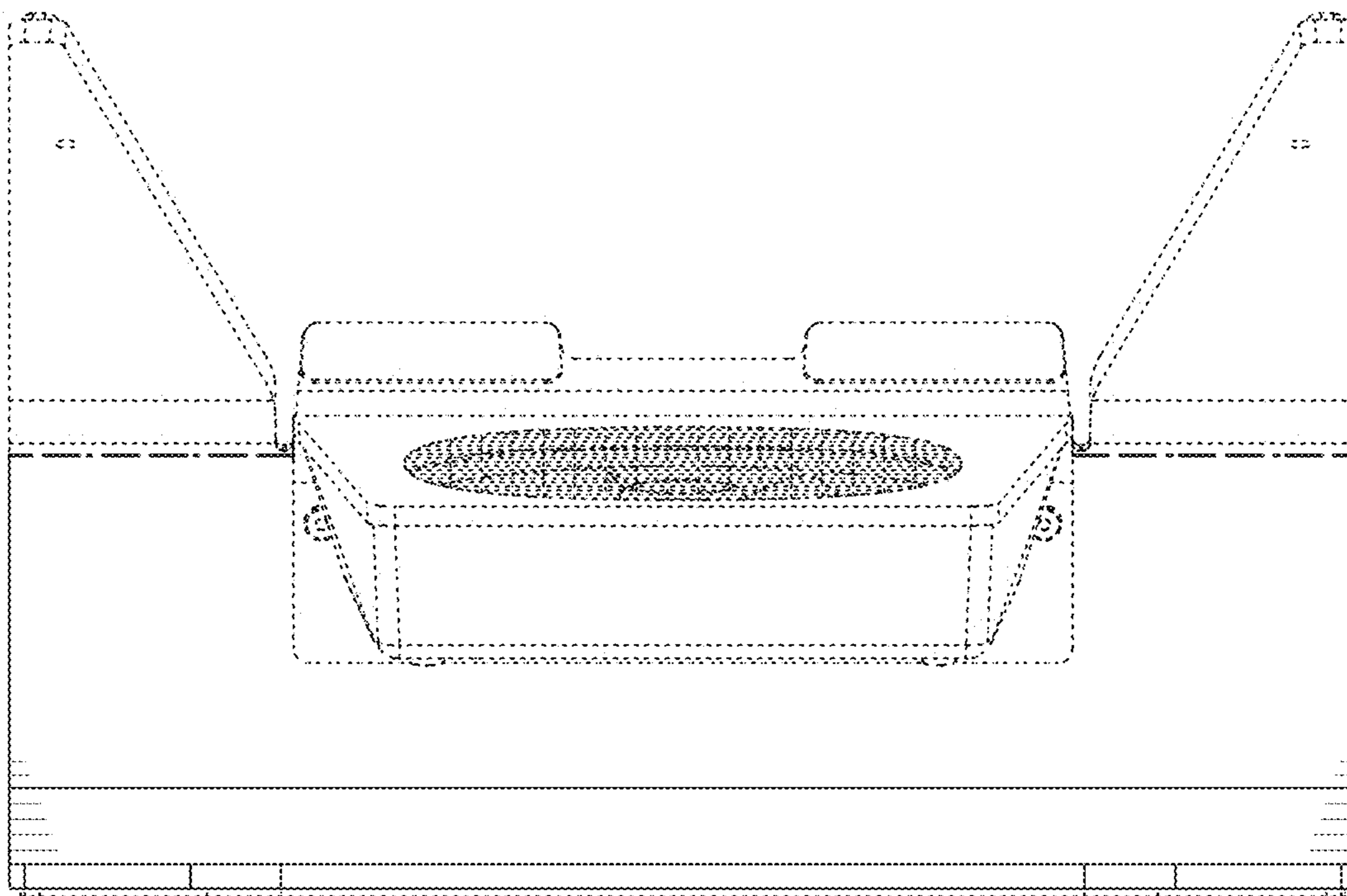


FIG. 4

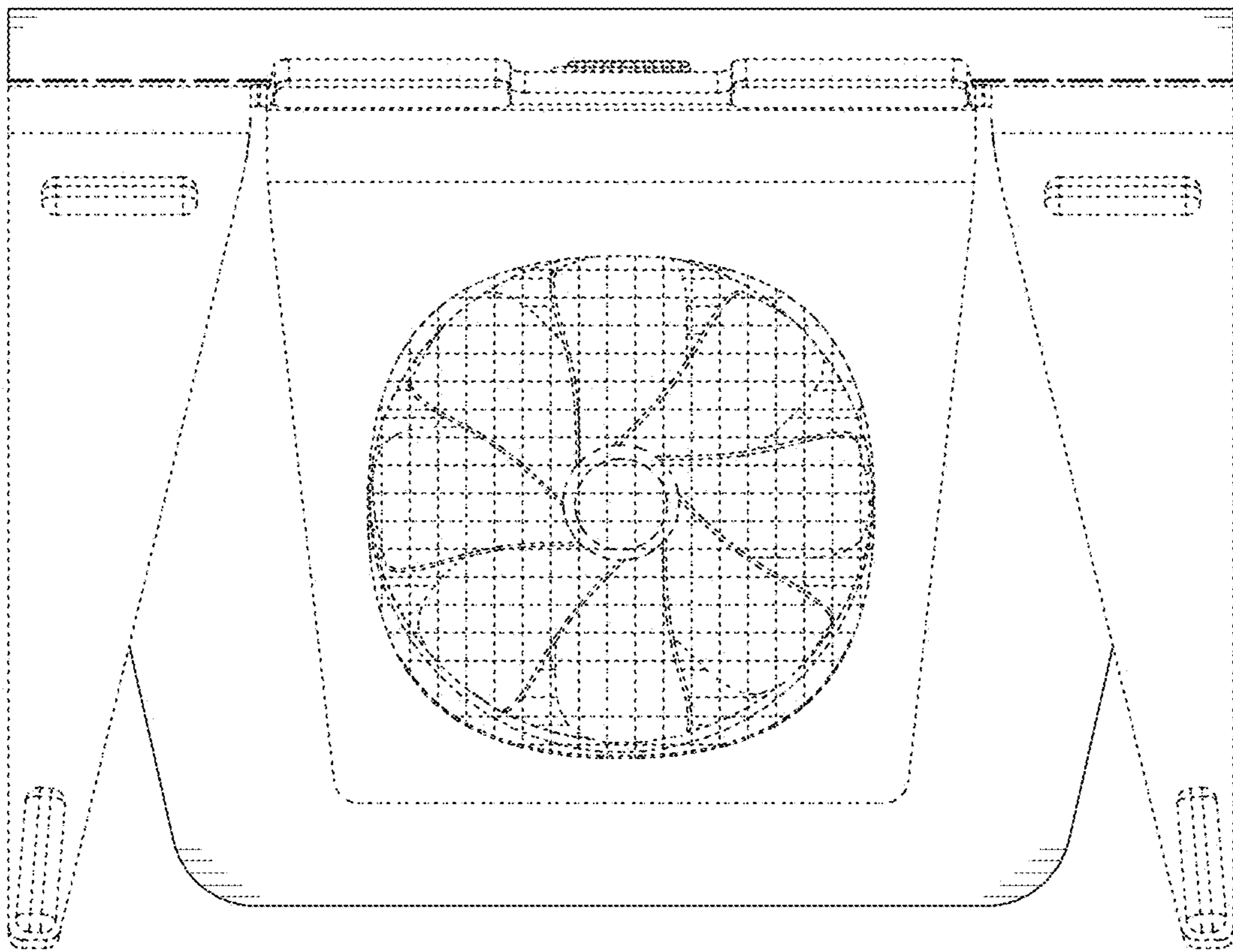


FIG. 5

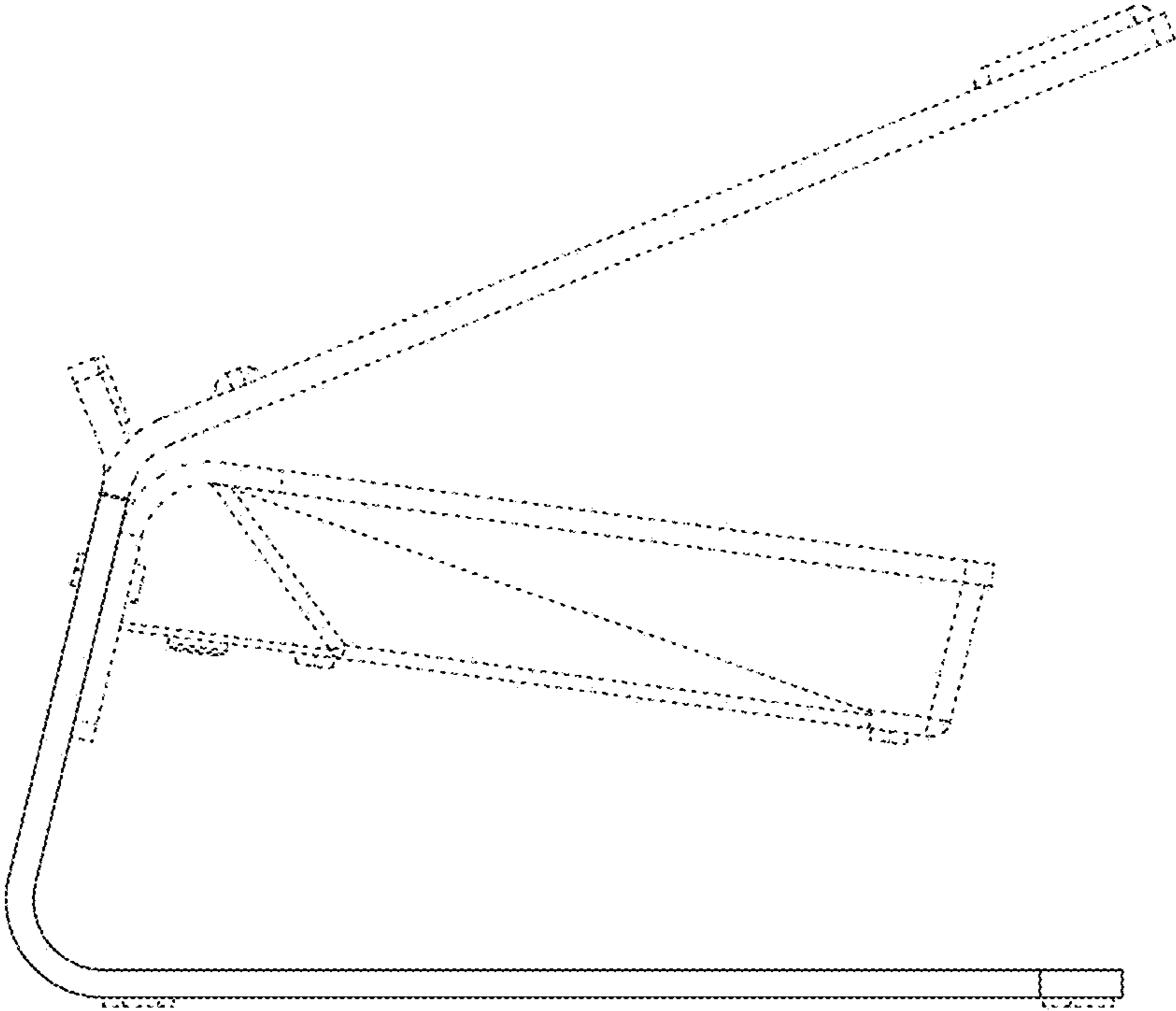


FIG. 6