



US00D893497S

(12) **United States Design Patent**
Li

(10) **Patent No.:** **US D893,497 S**

(45) **Date of Patent:** **** Aug. 18, 2020**

(54) **TABLET CASE**

(71) Applicant: **Jianhui Li**, Shenzhen (CN)

(72) Inventor: **Jianhui Li**, Shenzhen (CN)

(**) Term: **15 Years**

(21) Appl. No.: **29/675,879**

(22) Filed: **Jan. 7, 2019**

(51) **LOC (12) Cl.** **14-02**

(52) **U.S. Cl.**
USPC **D14/440**

(58) **Field of Classification Search**
USPC D14/143, 199, 201, 202, 217, 250, 251,
D14/253, 440, 447, 316; D13/103, 119
CPC H04M 1/0283; H04M 1/0202; A45C 1/06;
A45C 2011/002; A45C 11/00; A45F
2005/028; A45F 2200/0525
See application file for complete search history.

(56) **References Cited**

U.S. PATENT DOCUMENTS

D495,333 S *	8/2004	Borsboom	D14/371
D719,575 S *	12/2014	Elliott	D14/440
D719,957 S *	12/2014	Elliott	D14/440
D720,356 S *	12/2014	Elliott	D14/440
D720,757 S *	1/2015	Elliott	D14/440
D722,058 S *	2/2015	Elliott	D14/440
D732,043 S *	6/2015	Elliott	D14/440
9,756,750 B2 *	9/2017	Samuels	H04M 1/0252
D805,084 S *	12/2017	Aryeh	D14/447
D807,366 S *	1/2018	Chen	D14/440
D810,751 S *	2/2018	Aryeh	D14/440
D843,377 S *	3/2019	Tang	D14/440
D854,022 S *	7/2019	Chen	D14/440
D879,104 S *	3/2020	Li	D14/440
D879,105 S *	3/2020	Li	D14/440
D879,789 S *	3/2020	Li	D14/440

D881,197 S *	4/2020	Chen	D14/440
D881,893 S *	4/2020	Zanxiang	D14/440
D881,894 S *	4/2020	Zhang	D14/440
D883,988 S *	5/2020	Li	D14/440
D886,109 S *	6/2020	Li	D14/440
2013/0301235 A1 *	11/2013	Harooni	G03B 15/02 362/11

OTHER PUBLICATIONS

“Cute iPad Mini 4 Case for Kids Girls Boys, Cartoon 3D Bunny Rabbit Shockproof Soft Case Cover with Stand Pink” [online]. GGET. [Retrieved Jun. 16, 2020]. Retrieved from the Internet: <<https://www.amazon.com/Girls-Cartoon-Bunny-Rabbit-Shockproof/dp/B07N2NY5TN>>.*

* cited by examiner

Primary Examiner — Khawaja Anwar
Assistant Examiner — Mojtaba Tehrani

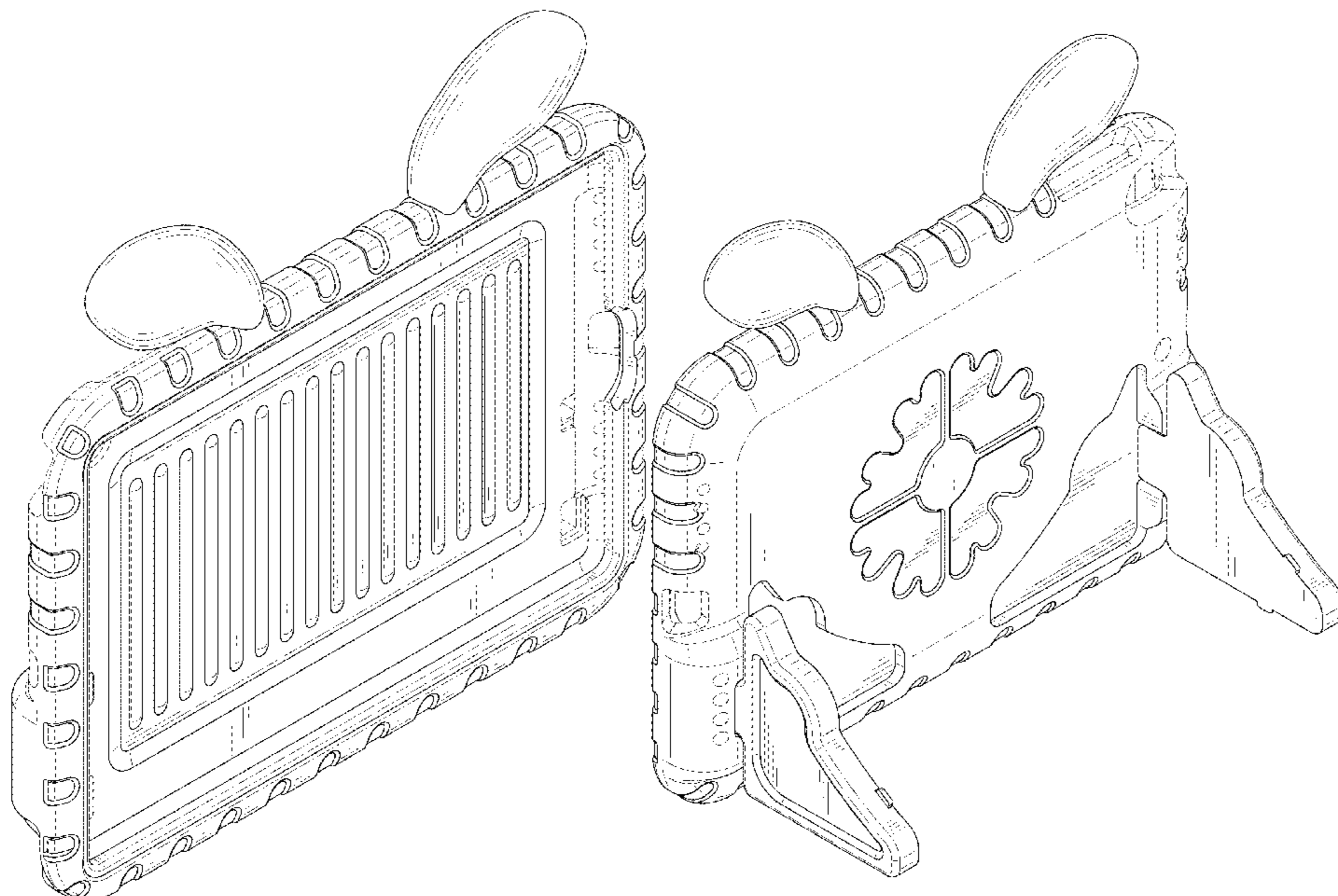
(57) **CLAIM**

The ornamental design for a tablet case, as shown and described.

DESCRIPTION

FIG. 1 is a perspective view of a tablet case showing my new design;
FIG. 2 is another perspective view thereof;
FIG. 3 is a front elevational view thereof;
FIG. 4 is a rear elevational view thereof;
FIG. 5 is a left side elevational view thereof;
FIG. 6 is a right side elevational view thereof;
FIG. 7 is a top plan view thereof;
FIG. 8 is a bottom plan view thereof; and,
FIG. 9 is a perspective view of the tablet case where kickstands are in an open state.
The broken lines in the drawings illustrate portions of the tablet case that form no part of the claimed design.

1 Claim, 9 Drawing Sheets



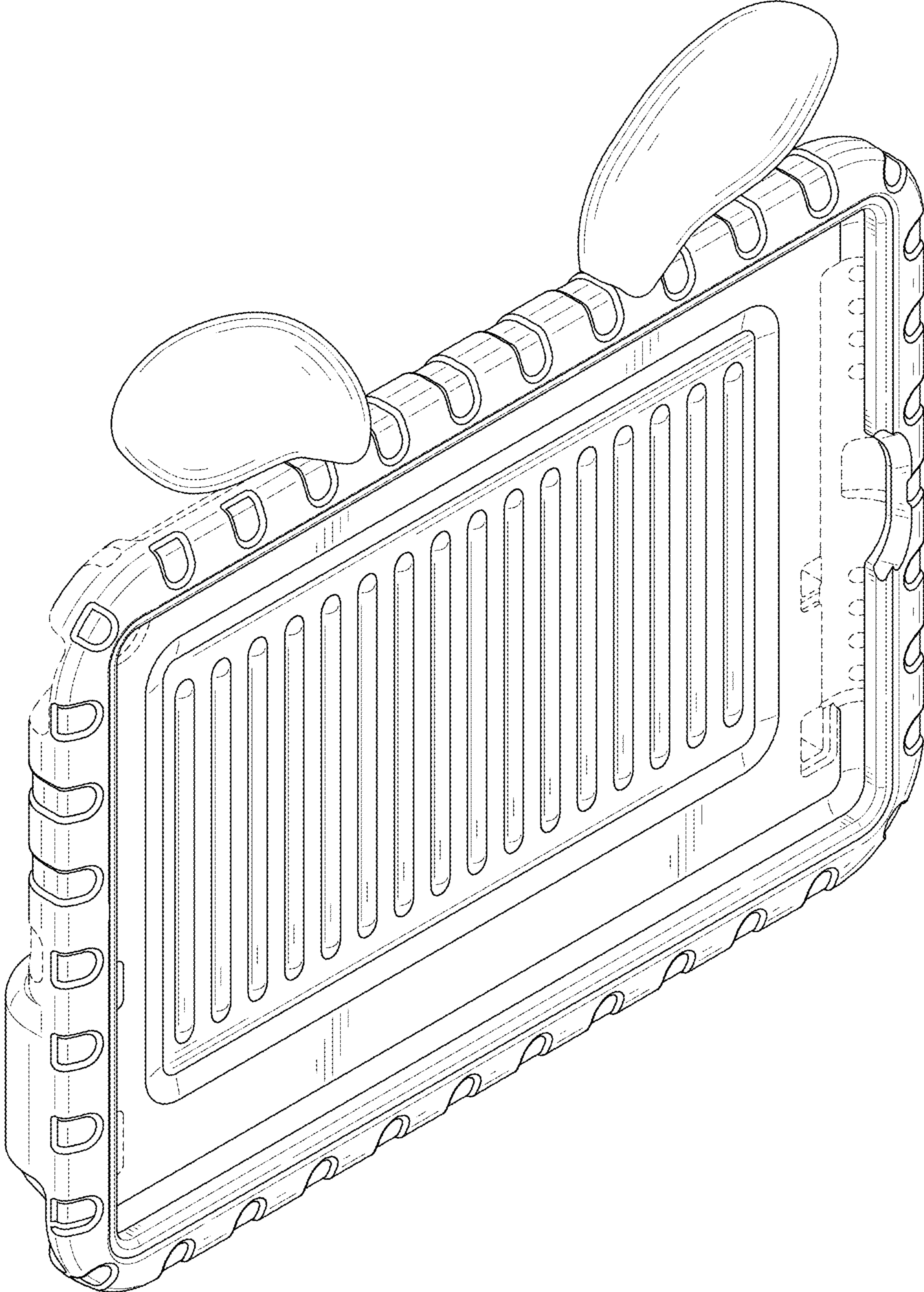


FIG. 1

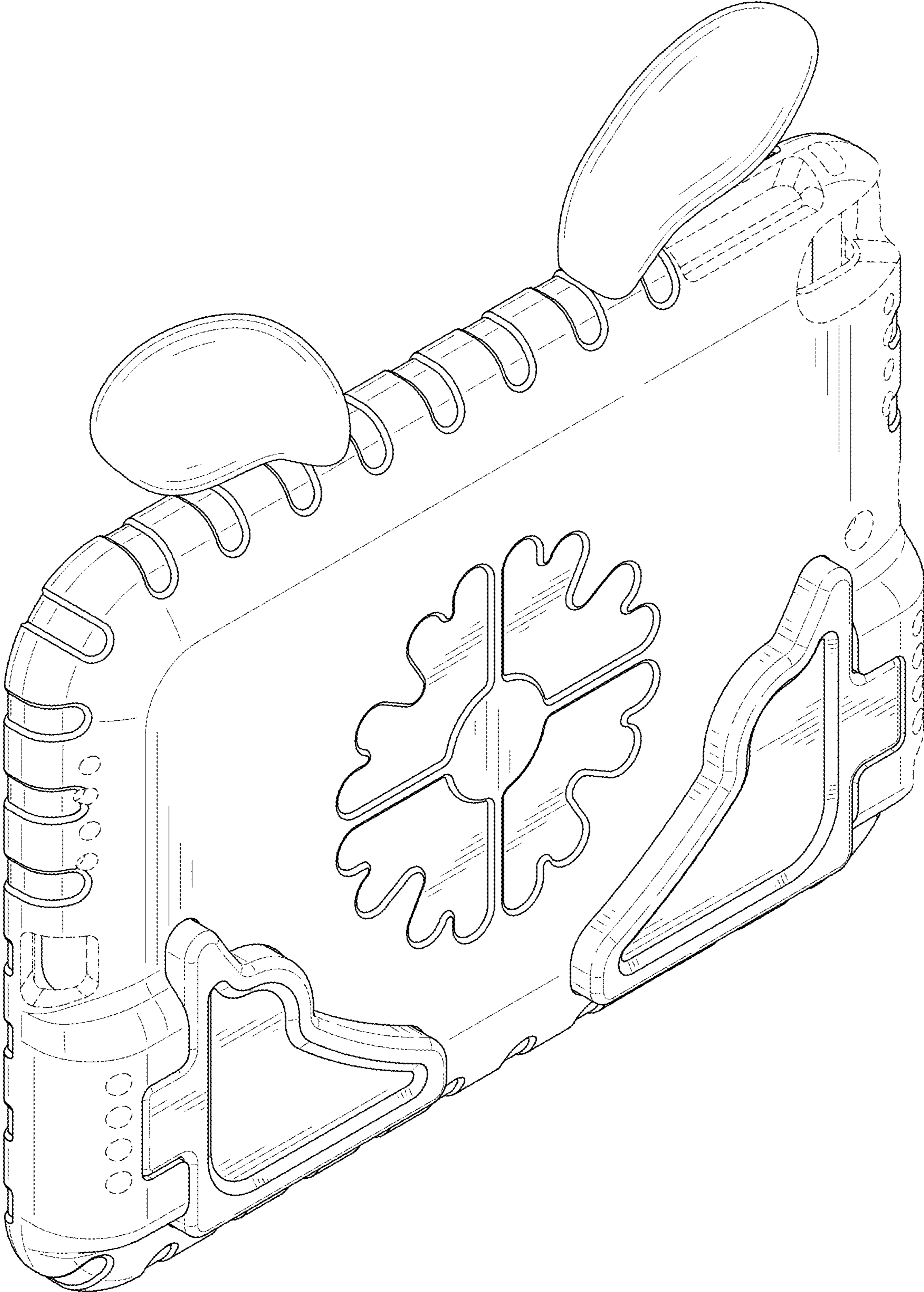


FIG. 2

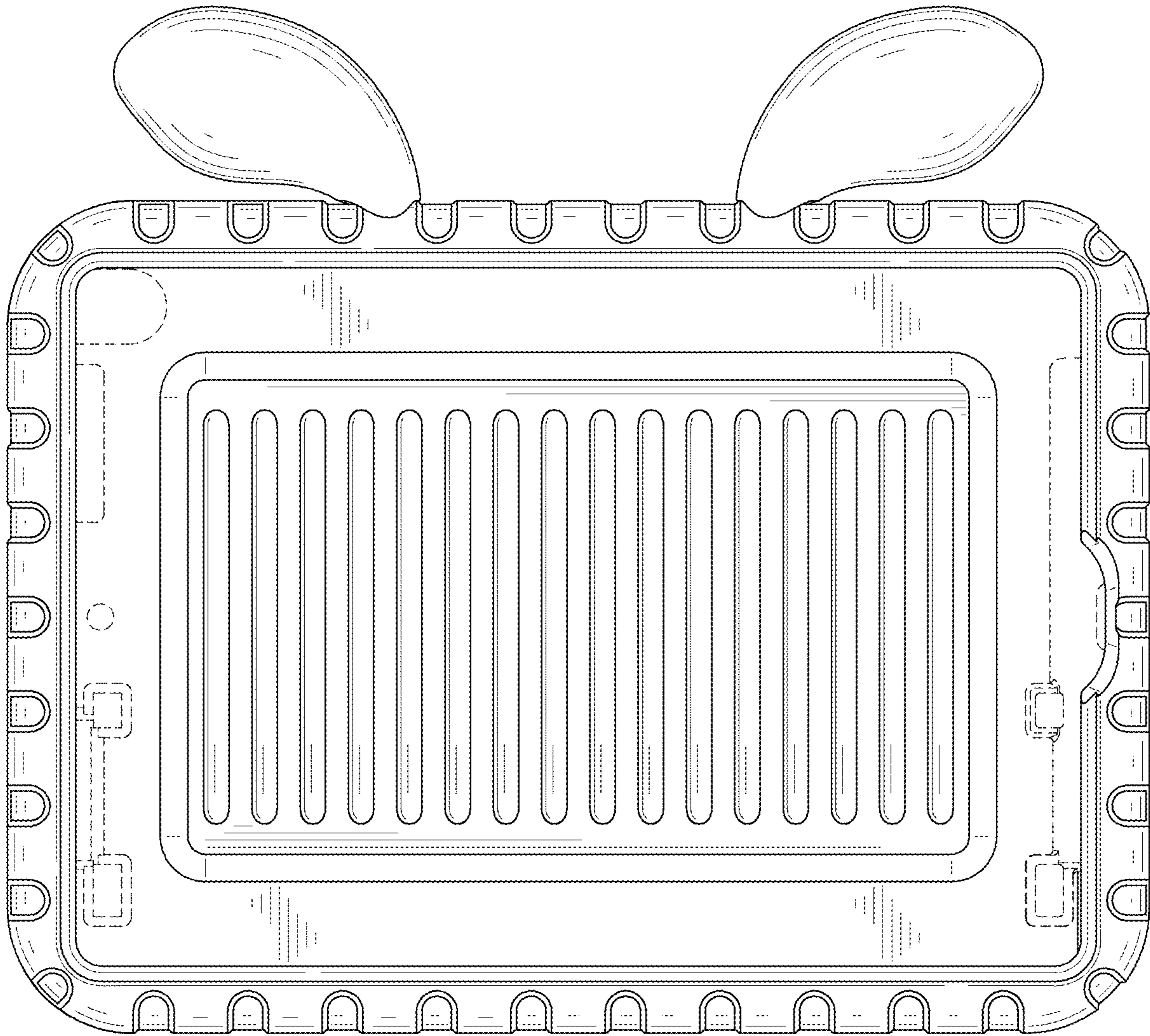


FIG. 3

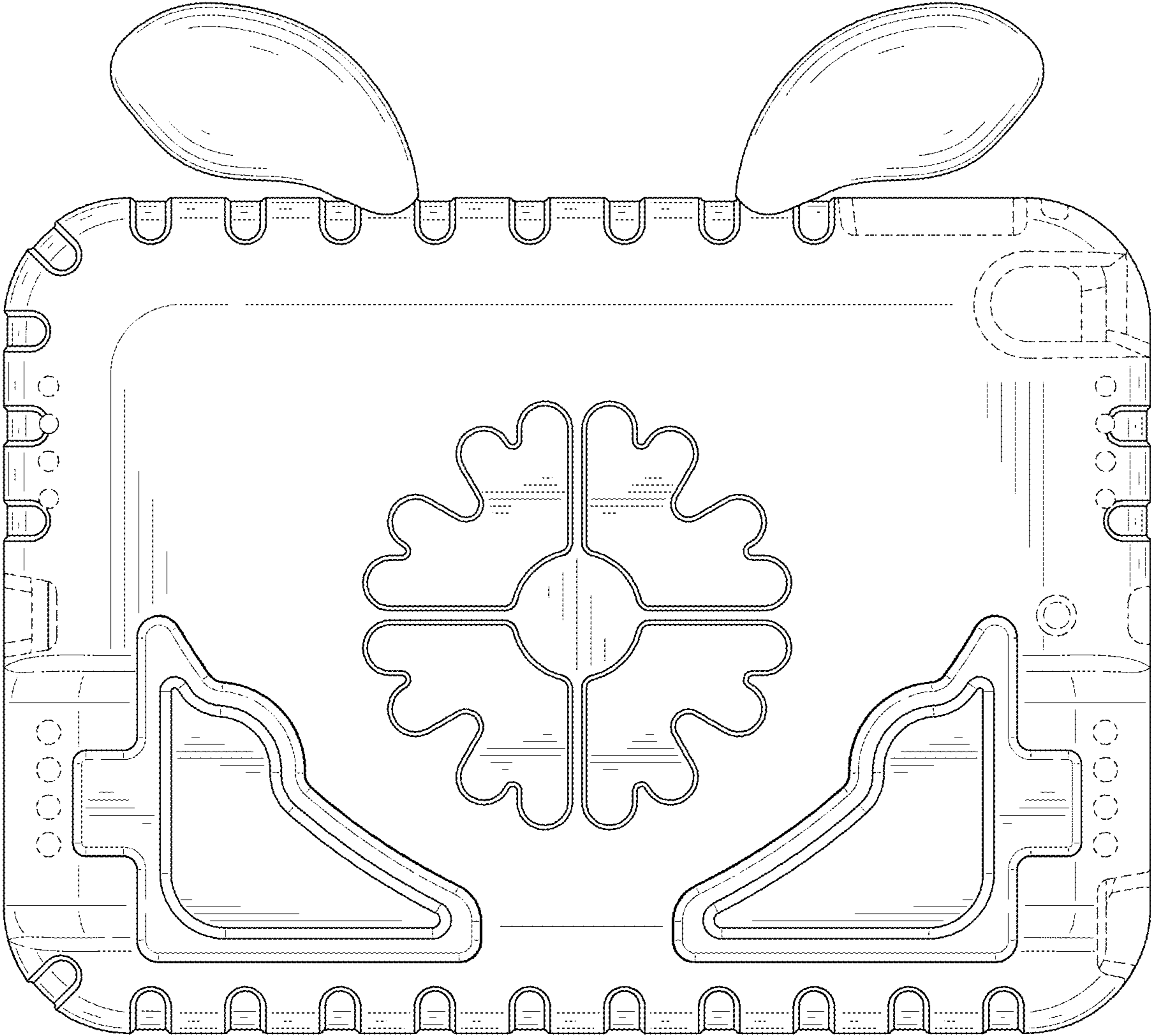


FIG. 4

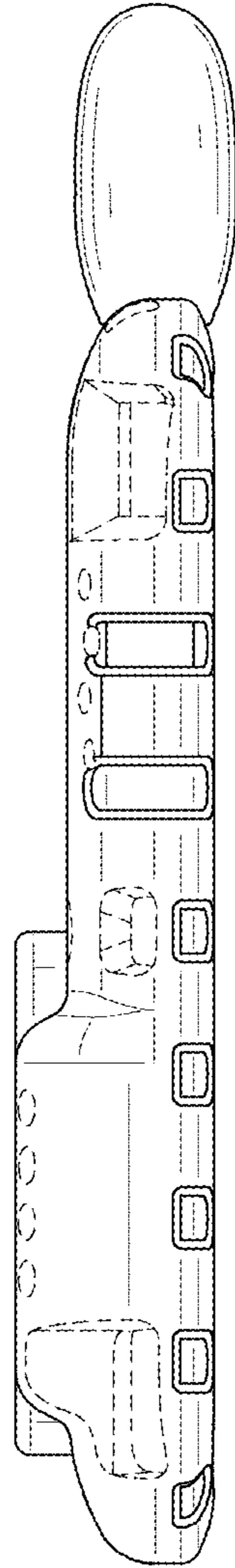


FIG. 5

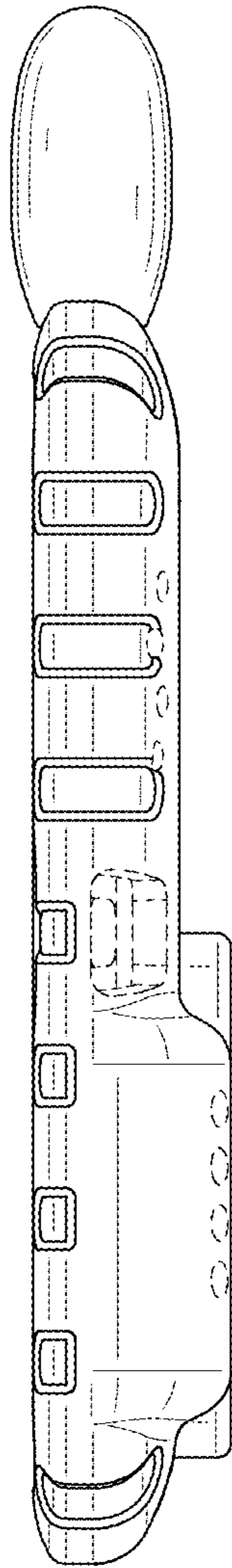


FIG. 6

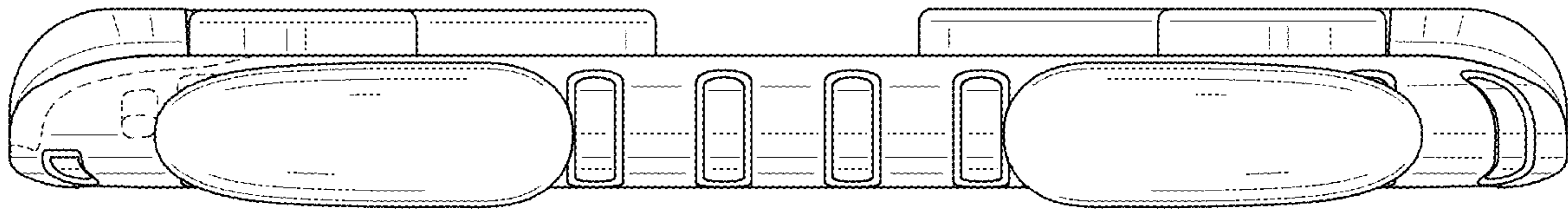


FIG. 7

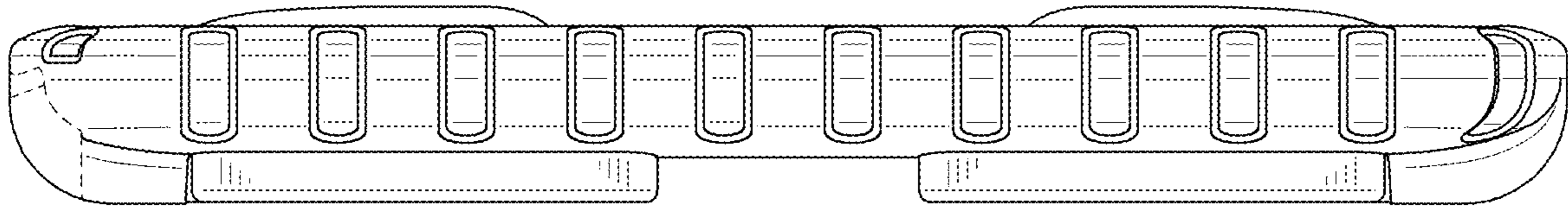


FIG. 8

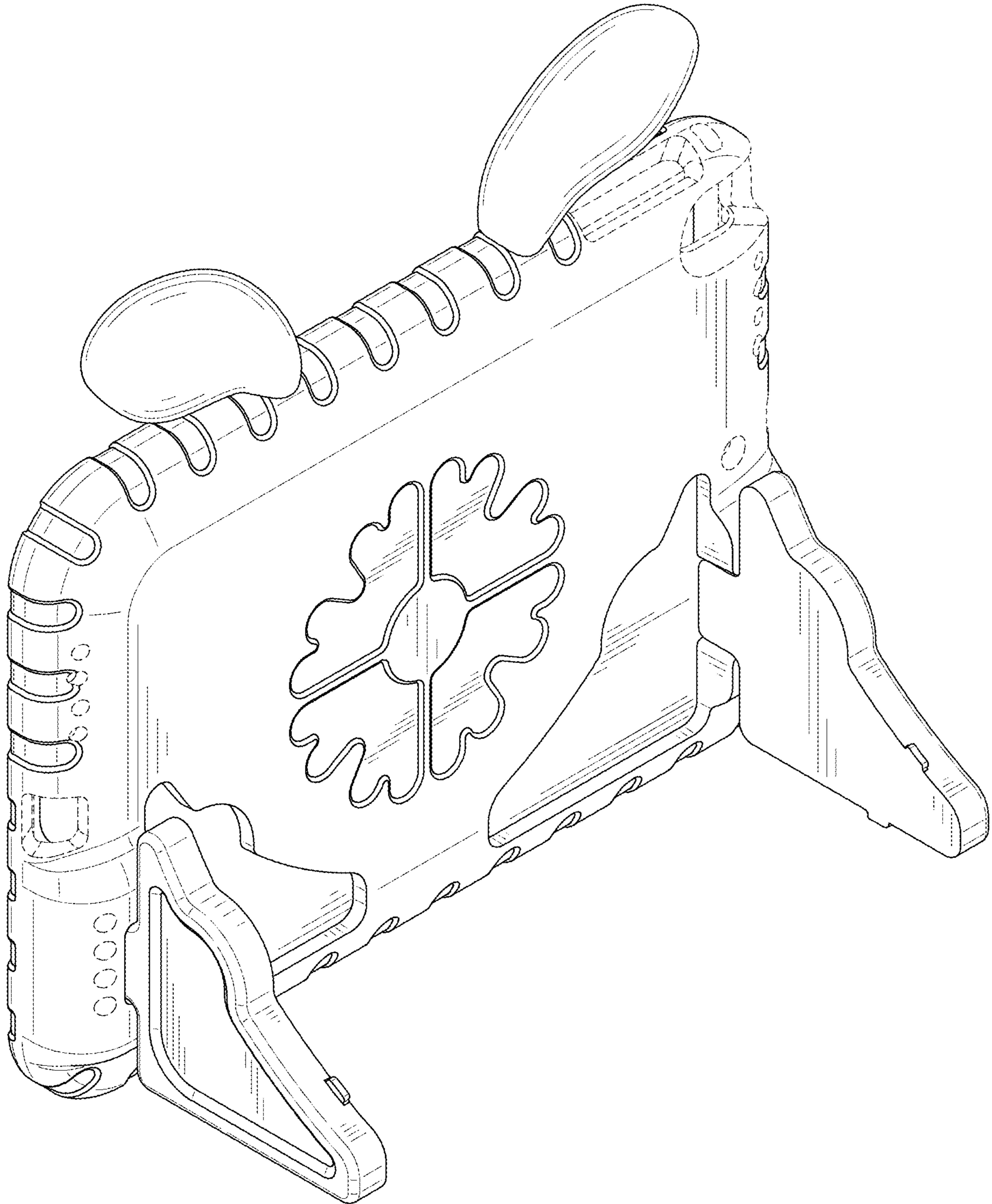


FIG. 9