



US00D893494S

(12) **United States Design Patent**
Zhong et al.

(10) **Patent No.:** **US D893,494 S**

(45) **Date of Patent:** **** Aug. 18, 2020**

(54) **HANDLE FOR ELECTRONIC DEVICE**

(71) Applicant: **Getac Technology Corporation,**
Hsinchu County (TW)

(72) Inventors: **Shi-Liang Zhong,** Taipei (TW);
Cheng-Hung Chiang, Taipei (TW)

(73) Assignee: **GETAC TECHNOLOGY**
CORPORATION, Hsinchu County
(TW)

(**) Term: **15 Years**

(21) Appl. No.: **29/691,094**

(22) Filed: **May 14, 2019**

(51) **LOC (12) Cl.** **14-02**

(52) **U.S. Cl.**
USPC **D14/439**

(58) **Field of Classification Search**
USPC D14/341–347, 424, 425, 432–453, 464,
D14/468, 469, 471, 496, 511, 138 AA,
D14/138 AD, 138 C, 138 G, 203.1–203.8,
D14/217, 238.1, 248, 250, 257, 299;
361/679.01, 679.02, 679.03, 679.3,
361/679.55, 679.56; 455/550.1, 556.1,
455/556.2, 575.1, 575.3–575.5, 575.8,
455/90.3
CPC A45C 11/00; A45C 2011/003; B60R
11/0241; B60R 11/0252; F16M 13/00;
F16M 11/00

See application file for complete search history.

(56) **References Cited**

U.S. PATENT DOCUMENTS

D618,244 S * 6/2010 Sweet D14/299
D716,308 S * 10/2014 Park D14/432

D717,802 S * 11/2014 Carpenter D14/439
D718,315 S * 11/2014 Carpenter D14/439
D755,794 S * 5/2016 Li D14/439
D772,233 S * 11/2016 Kuo D14/439

* cited by examiner

Primary Examiner — Austin Murphy

(74) *Attorney, Agent, or Firm* — Locke Lord LLP; Tim
Tingkang Xia, Esq.

(57) **CLAIM**

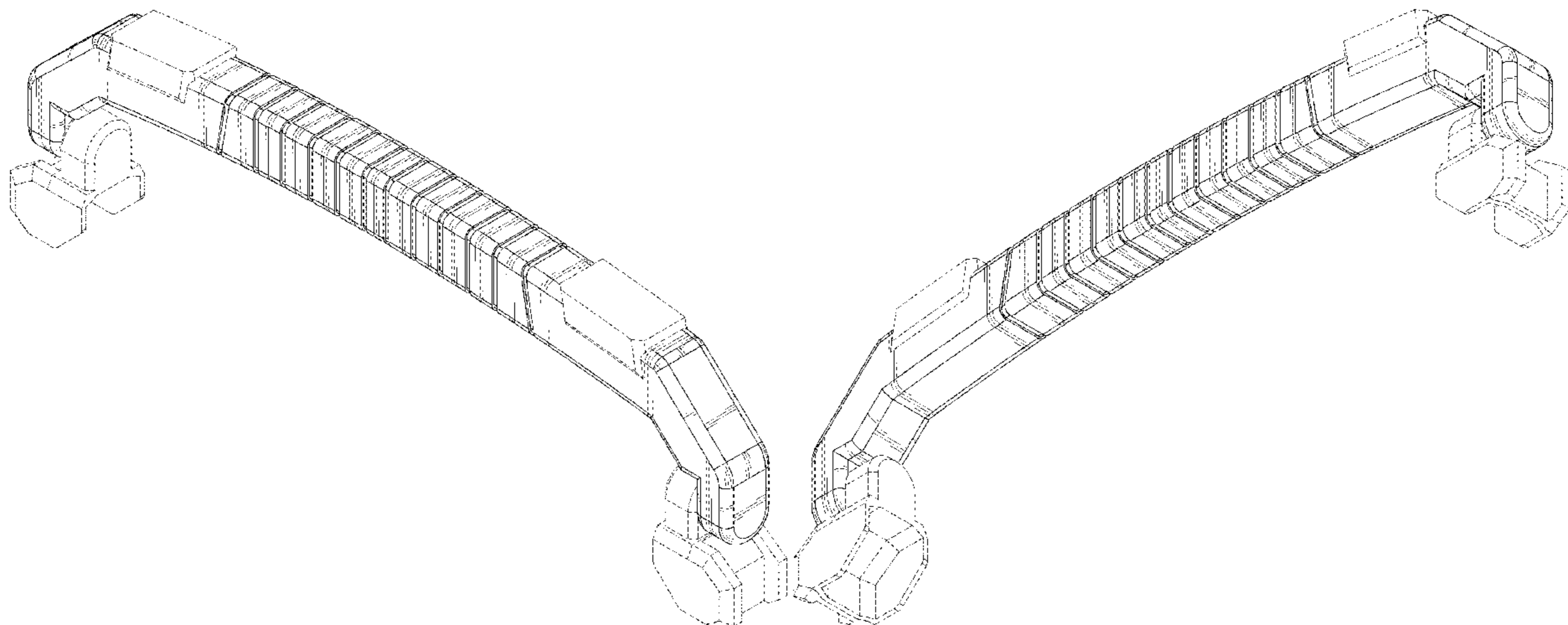
The ornamental design for a “handle for electronic device”,
as shown and described.

DESCRIPTION

FIG. 1 is a top, front and right side perspective view of a
handle for electronic device showing our new design;
FIG. 2 is a bottom, front and right side perspective view
thereof;
FIG. 3 is a bottom, front and left side perspective view
thereof;
FIG. 4 is a top, rear and left side perspective view thereof;
FIG. 5 is a bottom, rear and left side perspective view
thereof;
FIG. 6 is a bottom, rear and right side perspective view
thereof;
FIG. 7 is a front view thereof;
FIG. 8 is a rear view thereof;
FIG. 9 is a left side view thereof;
FIG. 10 is a right side view thereof;
FIG. 11 is a top view thereof; and,
FIG. 12 is a bottom view thereof.

The dashed broken lines illustrate environmental structure
and form no part of the claimed design.

1 Claim, 12 Drawing Sheets



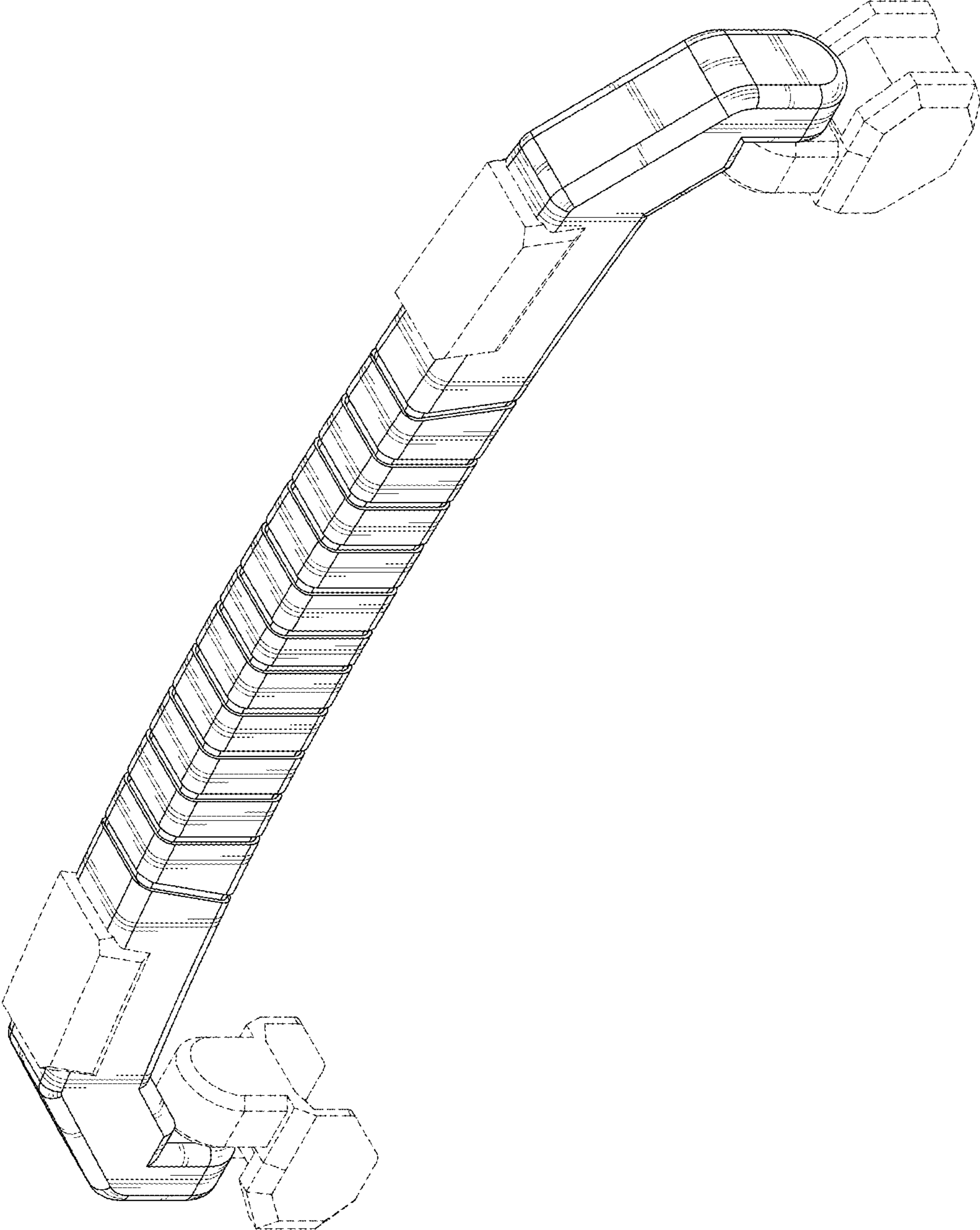


FIG. 1

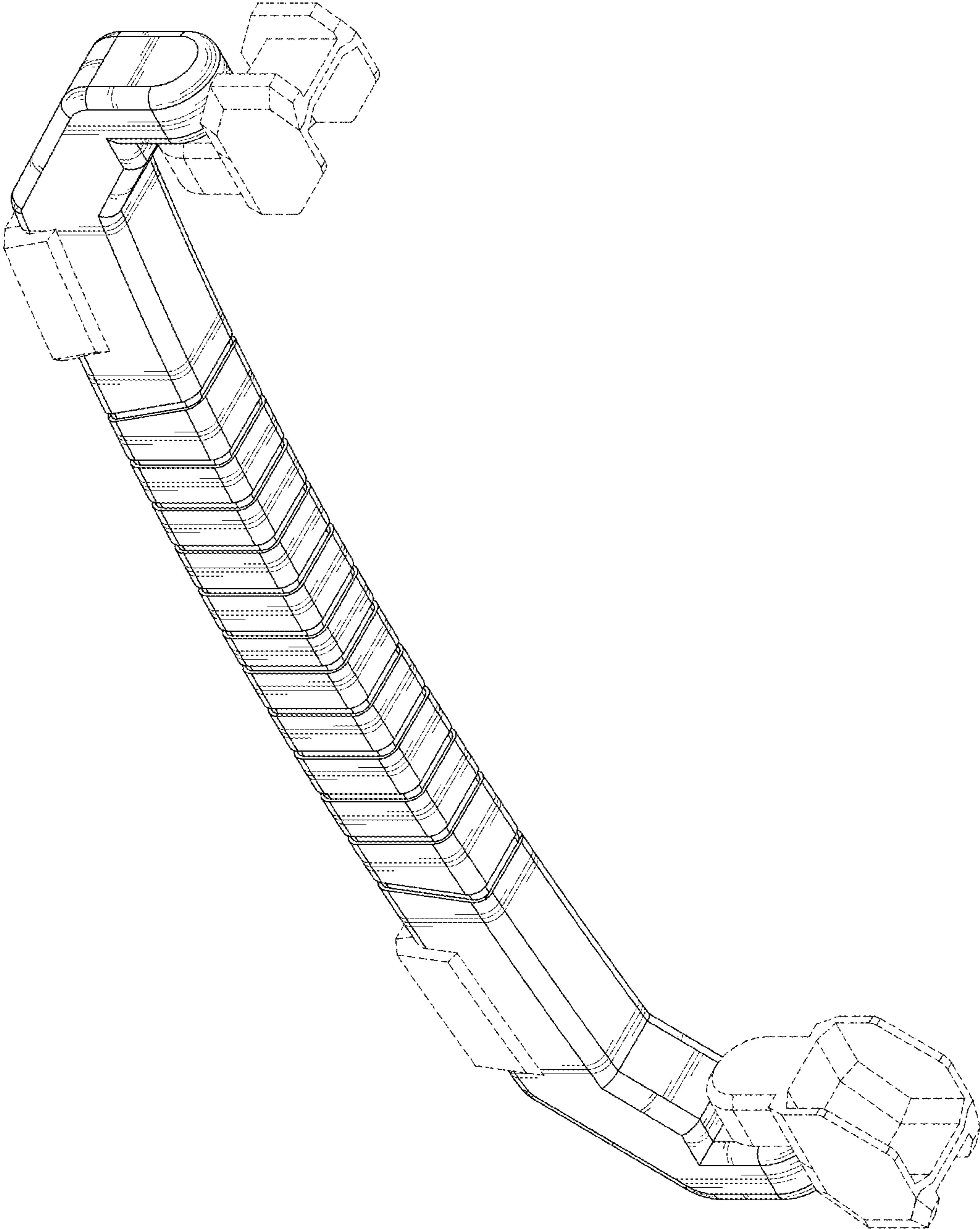


FIG. 2

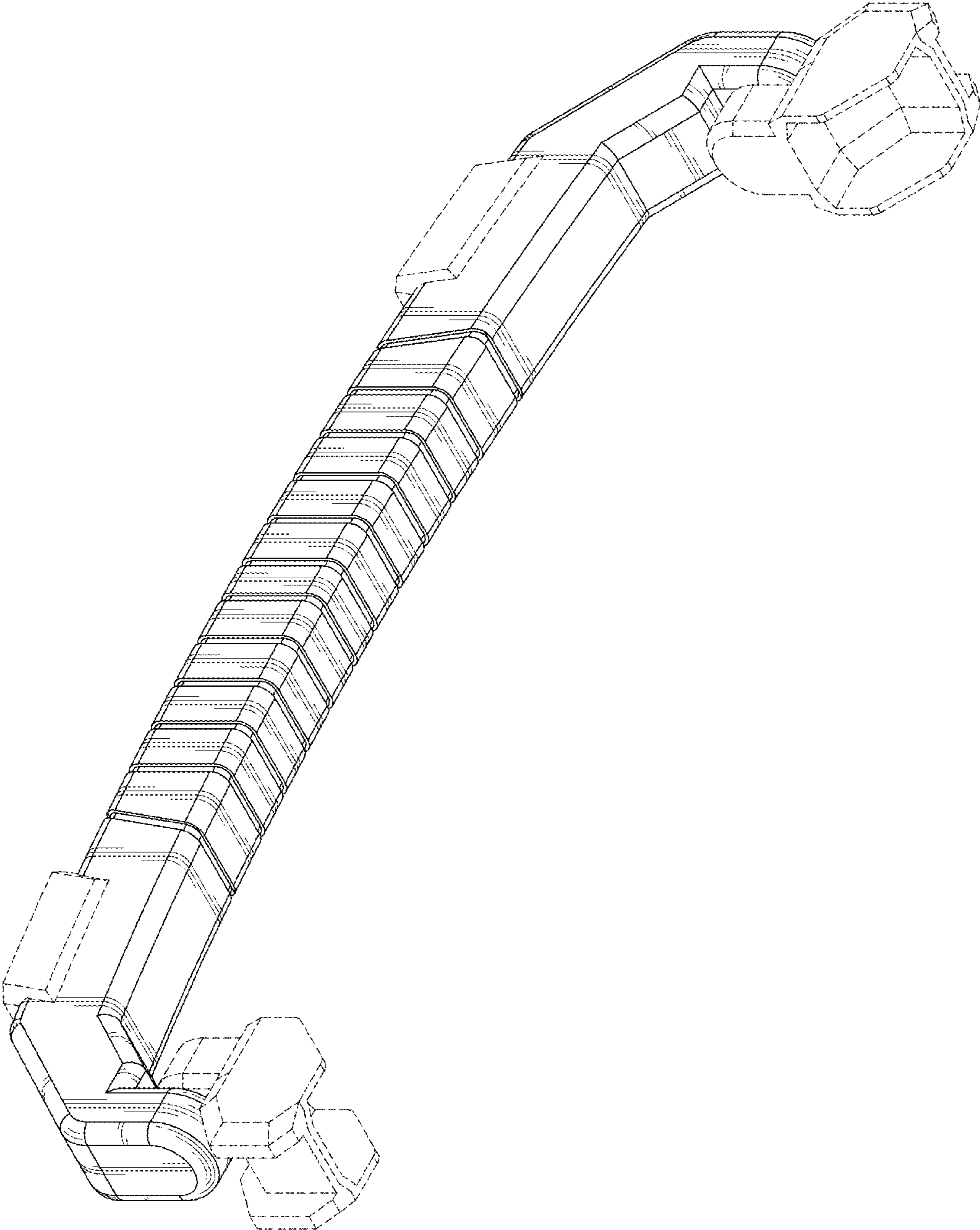


FIG. 3

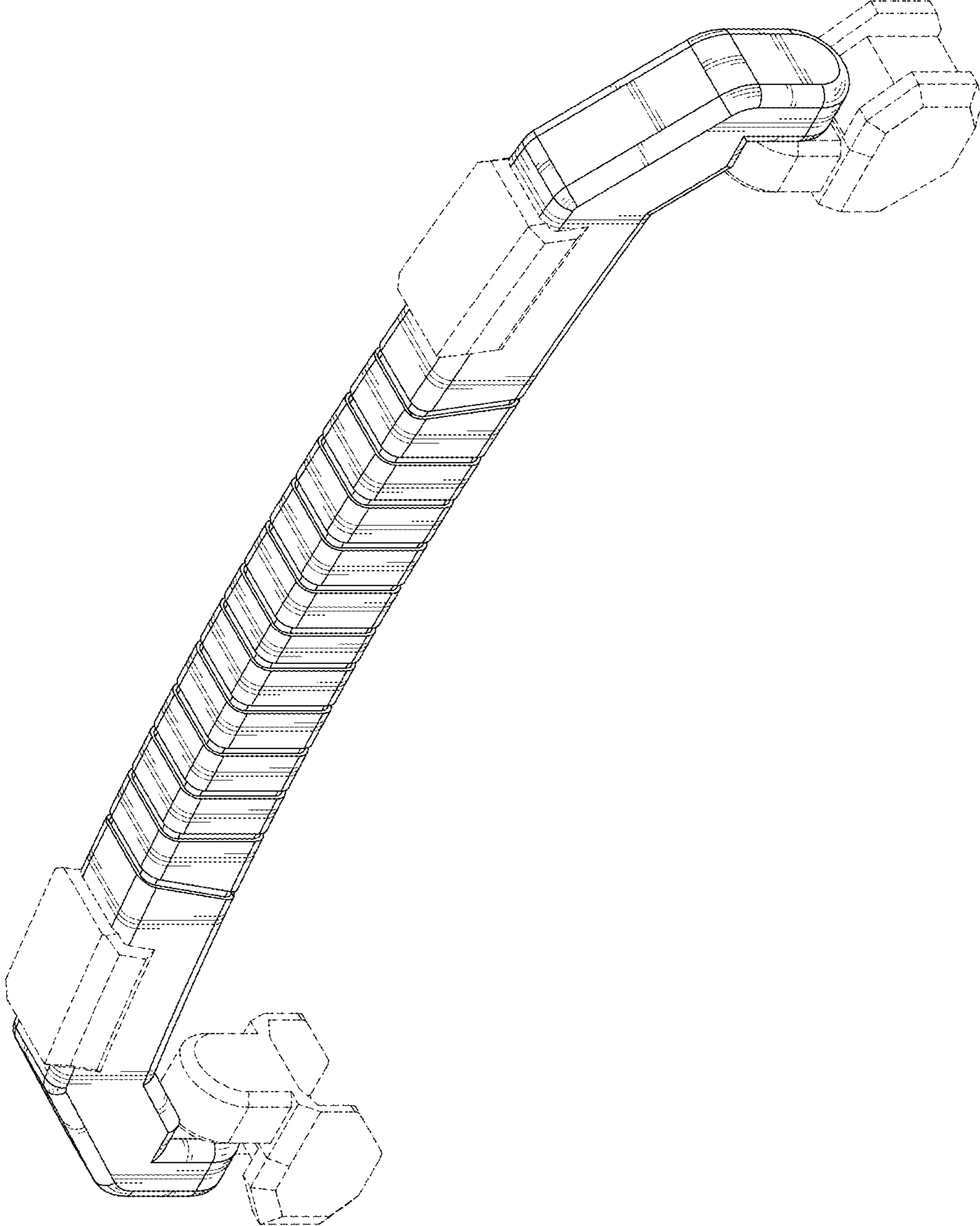


FIG. 4

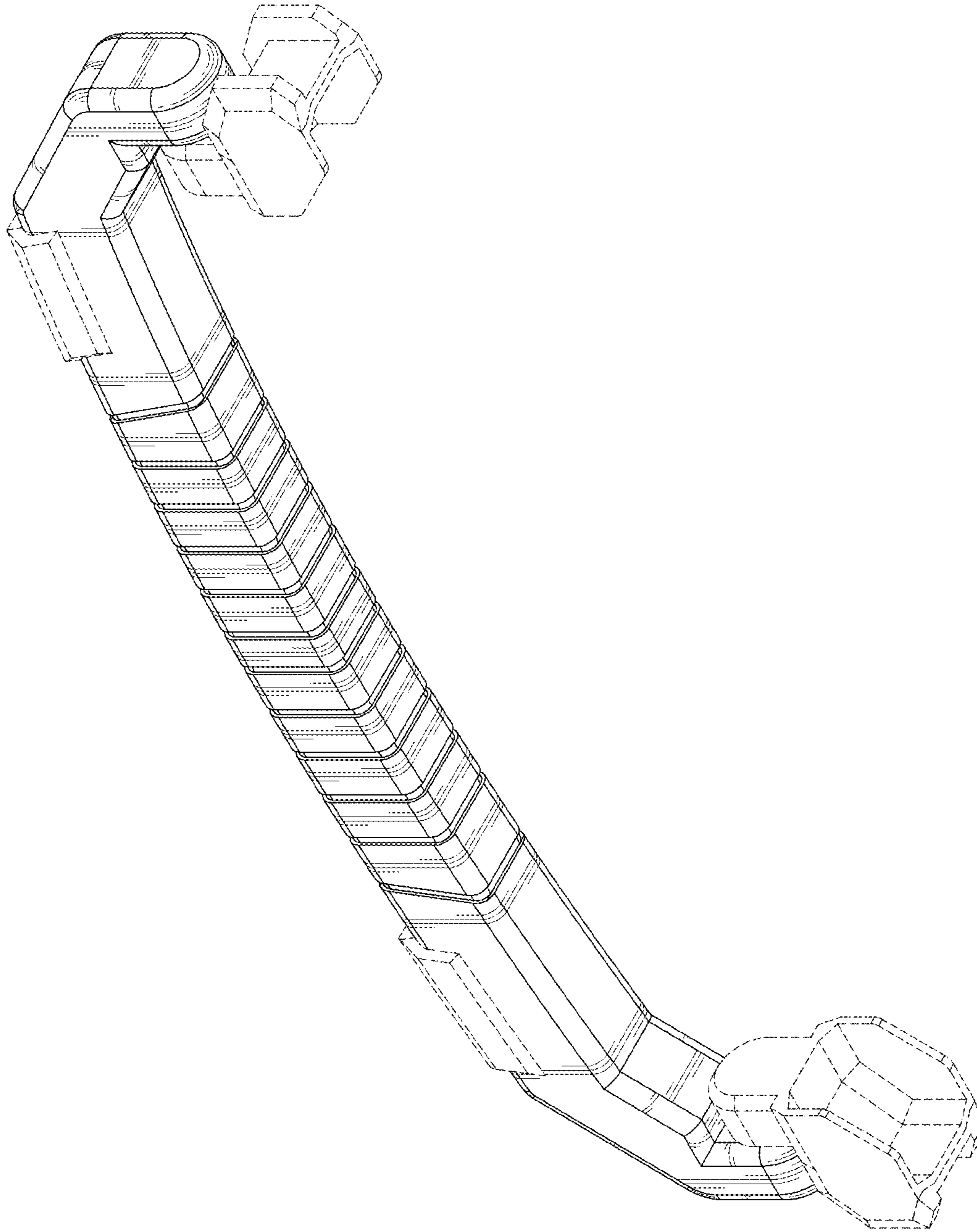


FIG. 5

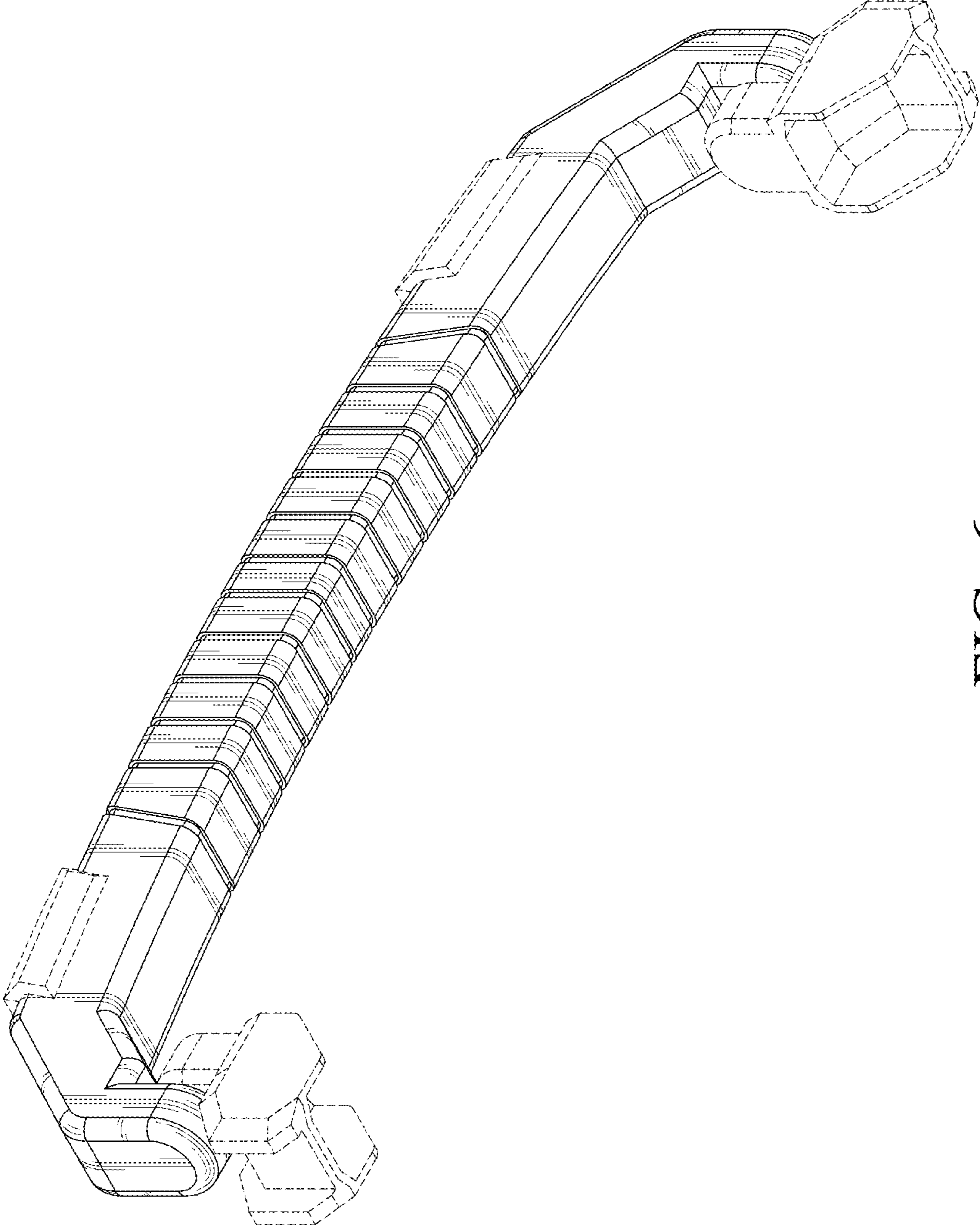


FIG. 6

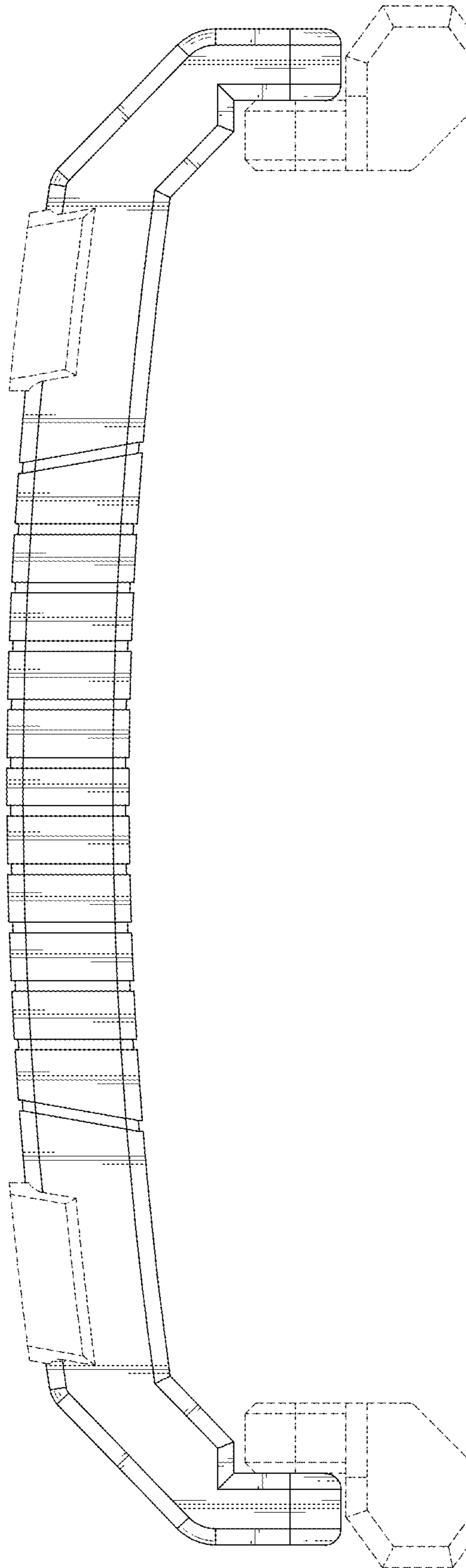


FIG. 7

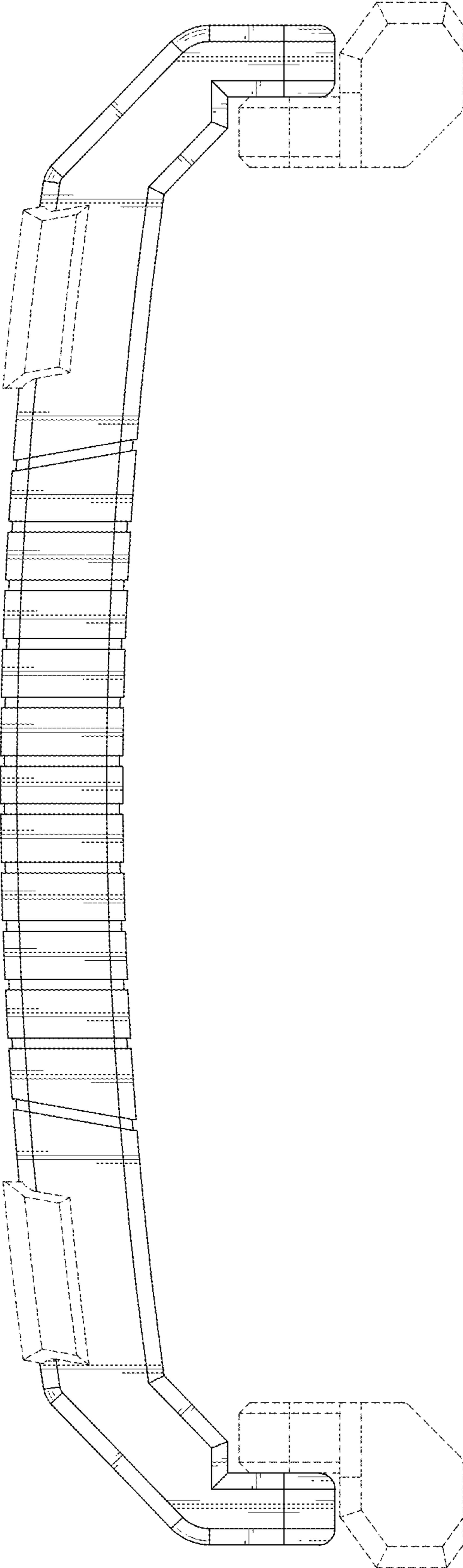


FIG. 8

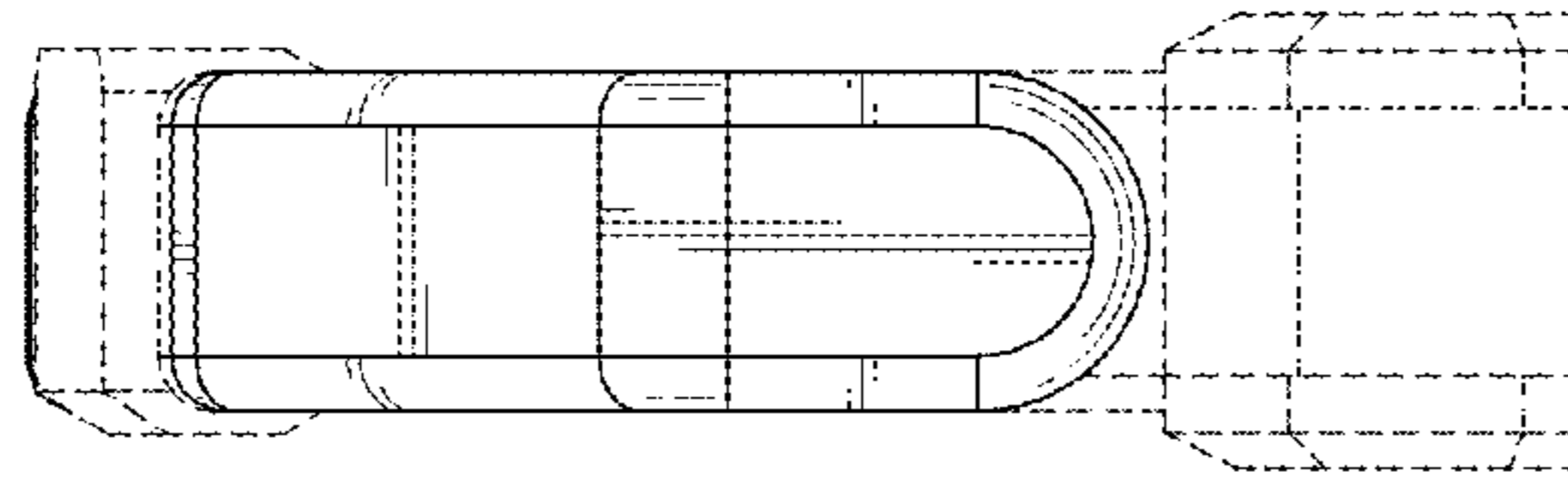


FIG. 9

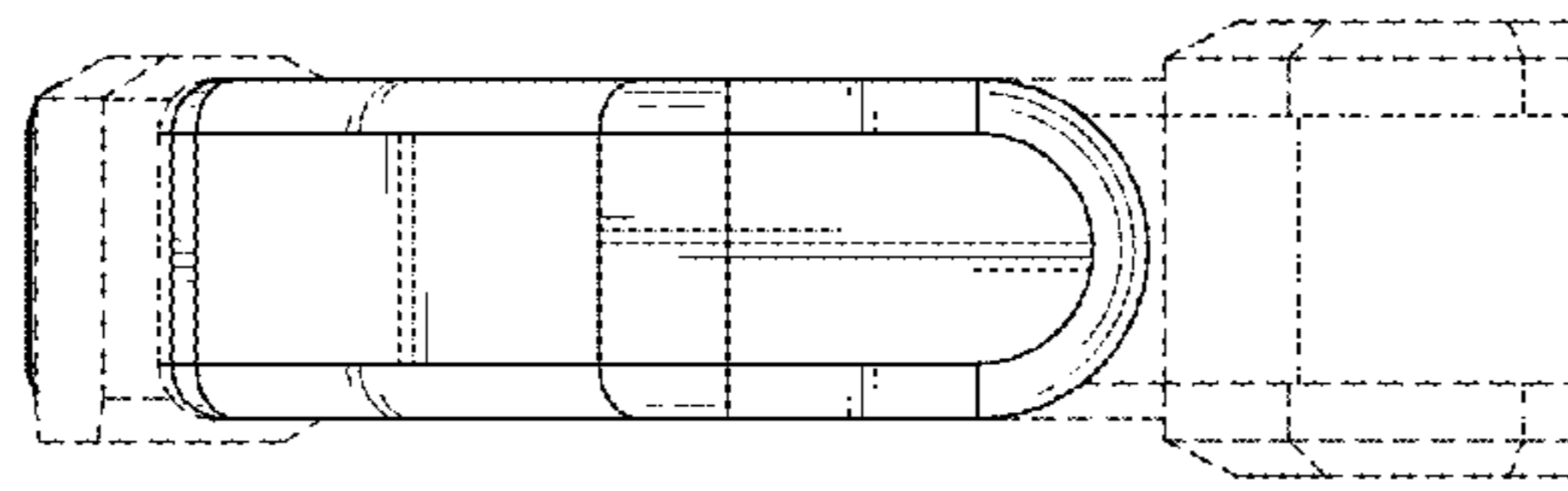


FIG. 10

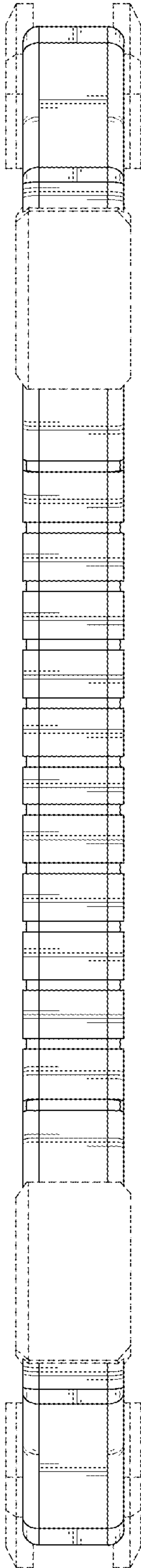


FIG. 11

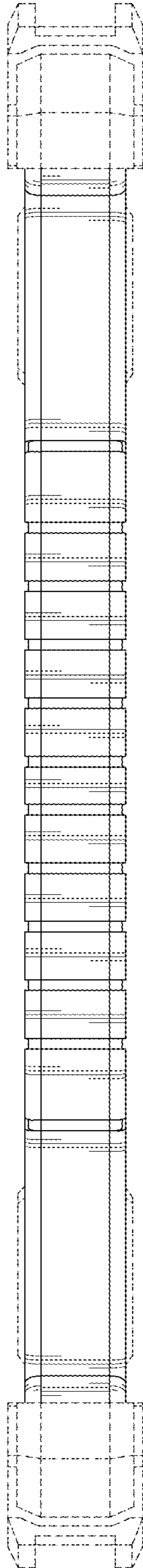


FIG. 12