



US00D893492S

(12) **United States Design Patent**
Akana et al.

(10) **Patent No.:** **US D893,492 S**

(45) **Date of Patent:** **** Aug. 18, 2020**

(54) **DISPLAY FOR AN ELECTRONIC DEVICE**

(22) **Filed:** **Apr. 11, 2019**

(71) **Applicant:** **Apple Inc., Cupertino, CA (US)**

Related U.S. Application Data

(72) **Inventors:** **Jody Akana**, San Francisco, CA (US); **Molly Anderson**, San Francisco, CA (US); **Bartley K. Andre**, Palo Alto, CA (US); **Shota Aoyagi**, San Francisco, CA (US); **Kellen M. Asercion**, Santa Clara, CA (US); **Anthony Michael Ashcroft**, San Francisco, CA (US); **Kristina A. Babiarz**, San Jose, CA (US); **Marine C. Bataille**, San Francisco, CA (US); **Jeremy Bataillou**, San Francisco, CA (US); **Markus Diebel**, San Francisco, CA (US); **Justin R. Heckman**, San Francisco, CA (US); **M. Evans Hankey**, San Francisco, CA (US); **Thomas O. Henry**, San Francisco, CA (US); **Julian Hoenig**, San Francisco, CA (US); **Richard P. Howarth**, San Francisco, CA (US); **Jonathan P. Ive**, San Francisco, CA (US); **Julian Jaede**, San Francisco, CA (US); **Duncan Robert Kerr**, San Francisco, CA (US); **Melody L. Kuna**, Palo Alto, CA (US); **Carli E. Oster**, San Francisco, CA (US); **Florence Wong Ow**, Burlingame, CA (US); **Peter Russell-Clarke**, San Francisco, CA (US); **Benjamin Andrew Shaffer**, San Jose, CA (US); **Mikael Silvano**, San Francisco, CA (US); **Sung-Ho Tan**, San Francisco, CA (US); **Clement Tissandier**, San Francisco, CA (US); **Eugene Antony Whang**, San Francisco, CA (US); **Alex Chun Lap Yeung**, South San Francisco, CA (US); **Rico Zörkendörfer**, San Francisco, CA (US)

(63) Continuation of application No. 29/662,261, filed on Sep. 4, 2018.

(51) **LOC (12) Cl.** **14-02**

(52) **U.S. Cl.**
USPC **D14/439**

(58) **Field of Classification Search**
USPC D14/341-347, 424, 425, 432-453, 464, D14/468, 469, 471, 496, 511, 138 AA, D14/138 AD, 138 C, 138 G, 203.1-203.8, D14/217, 238.1, 248, 250, 257, 299; 361/679.01, 679.02, 679.03, 679.3, 361/679.55, 679.56; 455/550.1, 556.1, 455/556.2, 575.1, 575.3-575.5, 575.8, 455/90.3

CPC H04M 1/0277; H04M 1/0202; H04M 1/02; H04B 1/3838

See application file for complete search history.

(56) **References Cited**

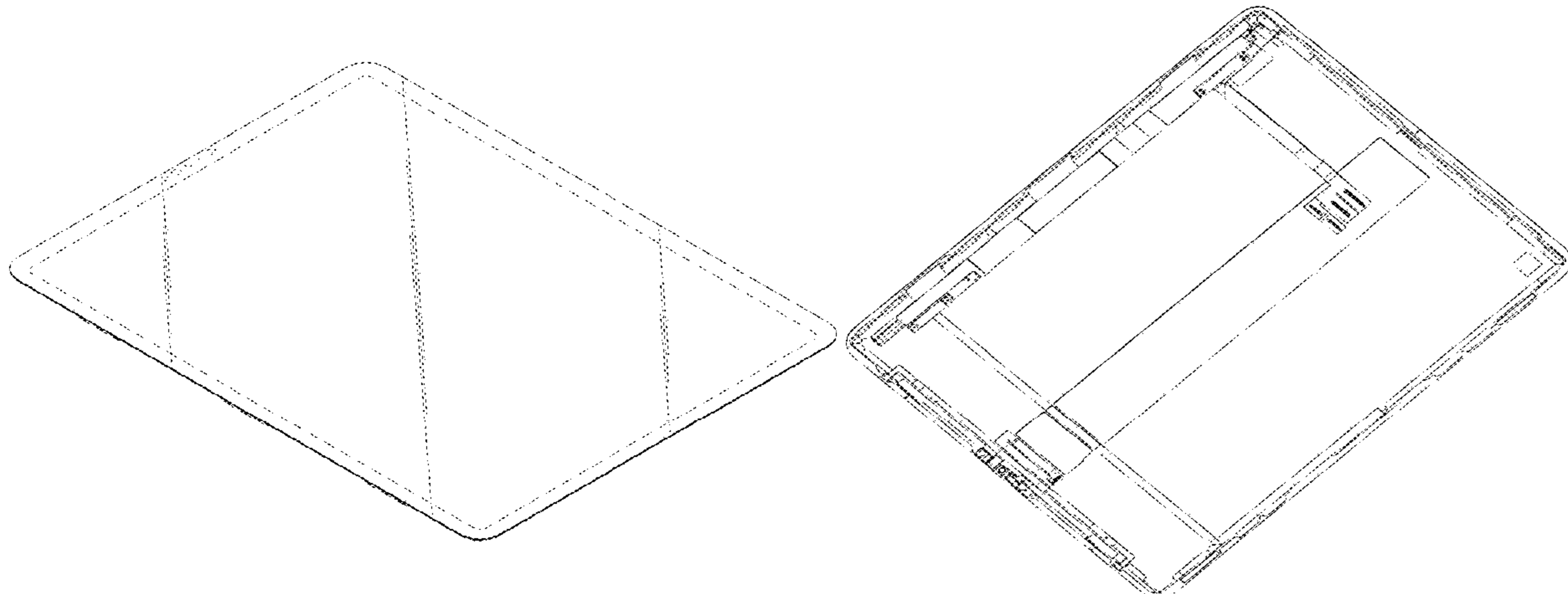
U.S. PATENT DOCUMENTS

3,297,974 A	1/1967	Pittman
D264,969 S	6/1982	McGourty
4,493,145 A	1/1985	Honda
4,791,608 A	12/1988	Fushimoto
D304,448 S	11/1989	De La Cruz et al.
D306,583 S	3/1990	Krolopp et al.
4,976,435 A	12/1990	Shatford et al.
5,192,082 A	3/1993	Inoue et al.
D337,569 S	7/1993	Kando
D345,346 S	3/1994	Alfonso et al.
D349,923 S	8/1994	Billings
D359,306 S	6/1995	Lande et al.
D362,272 S	9/1995	Luong et al.
D362,461 S	9/1995	Luong et al.
D378,686 S	4/1997	Proctor et al.
5,661,632 A	8/1997	Register et al.
D385,299 S	10/1997	Adams
D386,521 S	11/1997	Eisenbaum
5,715,622 A	2/1998	Giordano, Jr.
D396,452 S	7/1998	Naruki
D399,526 S	10/1998	Brady
D402,310 S	12/1998	Hendricks
D408,794 S	4/1999	Ogasawara

(73) **Assignee:** **Apple Inc., Cupertino, CA (US)**

(**) **Term:** **15 Years**

(21) **Appl. No.:** **29/687,164**



US D893,492 S

D410,028 S	5/1999	Fyffe	D627,778 S	11/2010	Akana et al.	
D412,940 S	8/1999	Kato	D629,799 S	12/2010	Andre et al.	
5,964,661 A	10/1999	Dodge et al.	D630,630 S	1/2011	Andre et al.	
6,040,829 A	3/2000	Croy et al.	7,876,274 B2	1/2011	Hobson et al.	
D425,558 S	5/2000	Tarpenning et al.	D633,090 S	2/2011	Andre et al.	
D430,117 S	8/2000	Sachs et al.	D633,091 S	2/2011	Andre et al.	
D430,169 S	8/2000	Scibora	D633,493 S	3/2011	Akana	
D437,860 S	2/2001	Suzuki et al.	D633,908 S	3/2011	Akana et al.	
D445,787 S	7/2001	Francis et al.	D634,319 S	3/2011	Andre et al.	
6,254,477 B1	7/2001	Sasaki et al.	D634,742 S	3/2011	Andre et al.	
D448,810 S	10/2001	Goto et al.	D636,390 S	4/2011	Andre et al.	
D449,606 S	10/2001	Lee et al.	D636,752 S	4/2011	Liao et al.	
D450,713 S	11/2001	Masamitsu et al.	D637,596 S	5/2011	Akana et al.	
D451,505 S	12/2001	Iseki et al.	D638,003 S	5/2011	Chen	
D452,250 S	12/2001	Chan et al.	D638,815 S	5/2011	Lee et al.	
D453,333 S	2/2002	Chen	D639,261 S	6/2011	Garnham et al.	
D455,433 S	4/2002	Alviar et al.	D639,763 S	6/2011	Kim et al.	
D458,252 S	6/2002	Palm et al.	D639,771 S	6/2011	Chen	
D469,109 S	1/2003	Andre et al.	D640,663 S	6/2011	Arnholt et al.	
D472,245 S	3/2003	Andre et al.	D642,563 S	8/2011	Akana et al.	
D481,036 S	10/2003	Wentt et al.	D647,108 S	10/2011	Lee	
D481,718 S	11/2003	Chiang et al.	D648,303 S	11/2011	Park et al.	
D483,809 S	12/2003	Lim	D649,968 S	12/2011	Li	
D486,823 S	2/2004	Kuo et al.	D651,617 S	1/2012	Walter	
D487,457 S	3/2004	Liu et al.	D656,477 S	3/2012	Yi et al.	
D487,742 S	3/2004	Huang et al.	D661,707 S	6/2012	Akana et al.	
D489,717 S	5/2004	Hsieh et al.	D662,503 S	6/2012	Akana et al.	
D490,420 S	5/2004	Solomon et al.	D669,069 S	10/2012	Akana et al.	
D491,933 S	6/2004	Guo et al.	D670,286 S	11/2012	Akana et al.	
D491,936 S	6/2004	Jao et al.	D671,937 S	12/2012	Akana et al.	
D494,164 S	8/2004	Wu et al.	D671,947 S *	12/2012	Akana	D14/439
D497,618 S	10/2004	Andre et al.	D672,343 S	12/2012	Akana et al.	
D498,754 S	11/2004	Blyth	D673,562 S	1/2013	Johnson	
D504,889 S	5/2005	Andre et al.	D673,948 S	1/2013	Andre et al.	
7,055,271 B2	6/2006	Lutz et al.	D673,958 S *	1/2013	Fathollahi	D14/439
D528,542 S	9/2006	Luminosu et al.	D674,383 S	1/2013	Andre et al.	
D534,143 S	12/2006	Lheem	D675,612 S	2/2013	Andre et al.	
D548,732 S	8/2007	Cebe et al.	D677,657 S	3/2013	Akana et al.	
D558,726 S	1/2008	Wang et al.	D677,665 S *	3/2013	Akana	D14/439
D558,756 S	1/2008	Andre et al.	D678,288 S *	3/2013	Feldstein	D14/439
D558,757 S	1/2008	Andre et al.	D681,032 S	4/2013	Akana et al.	
D558,758 S	1/2008	Andre et al.	D681,632 S	5/2013	Akana et al.	
D560,683 S	1/2008	Lee	D684,571 S	6/2013	Akana et al.	
D561,782 S	2/2008	Kim	D686,586 S	7/2013	Cho et al.	
D563,432 S	3/2008	Kim	D687,404 S	8/2013	Yoshimura	
D567,819 S	4/2008	Devericks et al.	D688,218 S	8/2013	Lee	
D573,143 S	7/2008	Park et al.	D689,455 S	9/2013	Daniel	
7,409,059 B2	8/2008	Fujisawa	8,526,180 B2	9/2013	Rayner	
D580,387 S	11/2008	Andre et al.	D692,428 S *	10/2013	Janson	D14/388
D581,385 S	11/2008	Park et al.	D697,911 S	1/2014	McManigal et al.	
D581,922 S	12/2008	Andre et al.	D698,770 S	2/2014	Park	
D583,346 S	12/2008	Jung et al.	D701,208 S *	3/2014	Ai	D14/439
D593,087 S	5/2009	Andre et al.	D702,219 S	4/2014	Suk	
D597,067 S	7/2009	Oh et al.	D705,188 S	5/2014	Chau et al.	
D599,342 S	9/2009	Andre et al.	D706,235 S	6/2014	Kim	
D600,241 S	9/2009	Andre et al.	D706,251 S	6/2014	Park	
D602,014 S	10/2009	Andre et al.	D706,301 S	6/2014	Akana et al.	
D602,015 S	10/2009	Andre et al.	D707,223 S	6/2014	Akana et al.	
D602,016 S	10/2009	Andre et al.	D708,186 S *	7/2014	Akana	D14/439
D602,017 S	10/2009	Andre et al.	D708,608 S	7/2014	Sugiyama et al.	
D602,486 S	10/2009	Andre et al.	D710,855 S *	8/2014	Akana	D14/439
D602,488 S	10/2009	Jiang et al.	8,804,353 B2	8/2014	Montevirgen et al.	
D604,297 S	11/2009	Andre et al.	D712,384 S	9/2014	Hibi	
7,660,560 B2	2/2010	Zuo et al.	D713,833 S	9/2014	Wilkey	
D613,735 S	4/2010	Andre et al.	D718,767 S *	12/2014	Akana	D14/439
D613,736 S	4/2010	Andre et al.	D720,747 S	1/2015	Kim et al.	
7,697,281 B2	4/2010	Dabov et al.	D731,481 S	6/2015	Akana et al.	
D618,204 S	6/2010	Andre et al.	D732,498 S	6/2015	Huang et al.	
D618,677 S	6/2010	Andre et al.	D732,538 S *	6/2015	Corbin	D14/439
D618,678 S	6/2010	Andre et al.	D749,077 S *	2/2016	Akana	D14/439
D619,555 S	7/2010	Yang et al.	D759,008 S	6/2016	Akana et al.	
D622,270 S	8/2010	Andre et al.	D767,522 S	9/2016	Wu et al.	
D622,718 S	8/2010	Andre et al.	D767,572 S *	9/2016	Akana	D14/439
D622,719 S	8/2010	Andre et al.	D770,433 S	11/2016	Kangasmaa et al.	
D622,720 S	8/2010	Andre et al.	D771,622 S	11/2016	Akana et al.	
D625,307 S	10/2010	Cheng	D783,602 S	4/2017	Akana et al.	
D626,937 S	11/2010	Yeo et al.	D790,535 S	6/2017	Akana et al.	
D627,344 S	11/2010	Chien et al.	D792,366 S	7/2017	Zhang et al.	
D627,777 S	11/2010	Akana et al.	D795,264 S *	8/2017	Wright	D14/439

D806,705	S	1/2018	Akana et al.	
D825,570	S *	8/2018	Akana	D14/439
D826,235	S *	8/2018	Akana	D14/439
2004/0223004	A1	11/2004	Lincke et al.	
2009/0067141	A1	3/2009	Dabov et al.	
2009/0245565	A1	10/2009	Mittleman et al.	
2009/0247244	A1	10/2009	Mittleman et al.	
2011/0050560	A1	3/2011	Foster et al.	

FOREIGN PATENT DOCUMENTS

CN	301867415	S	3/2012
CN	302242618	S	12/2012
CN	302268386	S	1/2013
CN	302279529	S	1/2013
CN	302321988	S	2/2013
CN	302333118	S	2/2013
CN	302350915	S	3/2013
CN	302404040	S	4/2013
CN	302430473	S	5/2013
CN	202998218	U	6/2013
CN	302455942	S	6/2013
CN	302476338	S	6/2013
CN	302560014	S	9/2013
CN	302588771	S	9/2013
CN	302606411	S	10/2013
CN	302808732	S	4/2014
CN	302873818	S	7/2014
CN	302982246	S	10/2014
CN	303000183	S	11/2014
CN	303000194	S	11/2014
EM	002088591-0001		8/2012
JP	D1326330	S	4/2008
JP	D1351277	S	2/2009
JP	D1456810	S	12/2012
JP	D1469635	S	5/2013
JP	D1478342	S	9/2013
TW	D149042	S	9/2012
WO	WO-DM080555	S	2/2013

OTHER PUBLICATIONS

Apple iPhone 7 is here with a water resistant body, better cameras, 256GB capacity & no headphone jack, posted Sep. 8, 2016, [retrieved Aug. 28, 2017]. Retrieved from Internet, (URL: <https://collinsdail.blogspot.com/2016/09/apple-iphone-7-is-here-withwater.html>).

Apple Iphone 7 and 7plus | New Camera, posted Sep. 8, 2016, [retrieved Aug. 28, 2017]. Retrieved from Internet, (URL: <http://sujoyrdas.blogspot.com/2016/09/apple-iphone-7-and-7plus-new-camera.html>).

Carlson, Ronald, Tapscape.com, "Translucent iPhone: Will Apple Revisit G3 iMac?," accessed at <http://www.tapscape.com/translucent-iphone/>, accessed on Apr. 3, 2013, 3 pages.

Cultofandroid, "This Android-Powered iPhone 5C Clone Will Cost Just \$100 In China" accessed at http://www.cultofandroid.com/40408/this-android-powered-iphone-5c-clone-will-cost-just-100-in-china/?utm_campaign=twitter&utm_medium=twitter&utm_source=twitter, accessed on Aug. 27, 2013, 2 pages.

Daily Life News, "iPhone 5s Leaked Images Hint 2 Different Screen Sizes." accessed at <https://www.youtube.com/watch?v=8tcTHa63WHI>, accessed on Apr. 10, 2013, 4 pages.

Engadget, "Meizu's M8? Apple lawyers, start your engines", accessed at <http://www.engadget.com/2007/01/29/meizus-m8-apple-lawyers-start-your-engines/>, accessed on Jan. 29, 2007, 3 pages.

Gokey, M., "LG G3 vs. HTC One M8: Which Android Flag Should iPhone Haters Fly?," published Sep. 18, 2014, accessed at www.digitaltrends.com/mobile/lg-g3-vs-htc-one-m8/, 12 pages.

Gsmarena, "Nokia Lumia 820", accessed at http://www.gsmarena.com/nokia_lumia_820-4968.php, accessed on Aug. 29, 2013, 2 pages.

Gsmarena, "Xiaomi MI-2", accessed at http://www.gsmarena.com/xiaomi_mi_2-4928.php, accessed on Aug. 29, 2013, 2 pages.

Gsmarena, "Xiaomi MI-2s", accessed at http://www.gsmarena.com/xiaomi_mi_2s-5397.php, accessed on Aug. 29, 2013, 2 pages.

Hands-On With an iPhone 8 Dummy Model, posted Aug. 10, 2017, [retrieved Aug. 28, 2017]. Retrieved from Internet, (URL: <https://www.youtube.com/watch?v=YuQUBhOAbUM>).

HP Compaq Tablet PC TC1000, <http://www.hardwarezone.com.au/reviews/view.php?cid=45&id=533&pg=2>. Downloaded Apr. 20, 2010, 1 page, (Updated URL: http://2009.hardwarezone.com/img/data/articles/2002/533/Evo_JamesHand01.jpg).

"HP Compaq Tablet PC tc1100", downloaded Aug. 27, 2004.

"iPhone 6, Une Enieme Maquette Comparee Avec L'iPhone 5s," published May 3, 2014, accessed at <http://www.nowhereelse.fr/iphone-6-maquette-comparee-iphone-5s-97315/>, 2 pages.

MacManus, Christopher, cnet.com, "Artist pictures a budget iPhone—in color." accessed at <http://www.cnet.com/au/news/artist-pictures-a-budget-iphone-in-color/>, accessed at Mar. 21, 2013, 4 pages.

Mayo, B., "Purported iPhone 6 Pictures Show Protruding Camera, Rounded Edges," 9to5Mac.com, accessed at <http://9to5mac.com/2014/03/31/purported-iphone-6-pictures-show-protruding-camera-rounded-edges/>, 23 pages.

Nokia, "Nokia Lumia 820—Our most versatile Lumia", accessed at <http://www.nokia.com/global/products/phone/lumia820/>, accessed on Aug. 29, 2013, 6 pages.

@NowhereElseFr, "Just Another Purported #iPhone6 or #iPhoneAir Dummy...#Apple," published May 4, 2014, accessed at <https://twitter.com/NowhereElseFr/status/462938116924264448/photo/1>, 5 pages.

Photo-John, "Apple's iPhone 5 Camera—What's New?," as archived at <https://web.archive.org/web/20140805181048/http://www.photographyreview.com/reviews/apple-iphone-5-camera-whats-new>, published Sep. 12, 2012, 3 pages.

Stuff Staff in News, stuffmideast.com "Apple's new iPhone to come in a five colours." accessed at <http://stuffmideast.com/2013/04/11/151344/apples-new-iphone-to-come-in-a-five-colours/>, accessed on Apr. 11, 2013, 1 page.

stuff.tv, "Spare wallets rejoice, the plastic budget iPhone 5S cometh, The iPhone 5S may not be an incremental increase but a decrease, in price and build quality." accessed at <http://www.stuff.tv/apple/sparse-wallets-rejoice-plastic-budget-iphone-5s-cometh/news>, accessed on Mar. 23, 2013, 1 page.

Swift, "BBK Vivo Xplay X510W Review," published Oct. 21, 2013, accessed at <http://chinesetech.net/2013/10/21/bbk-vivo-xplay-x510w-review/>, 12 pages.

"Tablet PC V1100", downloaded Aug. 27, 2004.

"ViewPad 1000", downloaded Aug. 27, 2004.

welectronics.com, "Xiaomi MI 2 GSM unlocked," accessed at <http://www.welectronics.com/gsm/misc/XIAOMI-MI-2.HTML?gclid=CK7Nr9bv-rYCFYOo4AodZ0EAEW>, accessed at Aug. 29, 2013, 2 pages.

* cited by examiner

Primary Examiner — Austin Murphy
(74) Attorney, Agent, or Firm — Sterne, Kessler, Goldstein & Fox, P.L.L.C.

(57) CLAIM

The ornamental design for a display for an electronic device, as shown and described.

DESCRIPTION

FIG. 1 is a bottom front perspective view of a display for an electronic device showing the claimed design;
FIG. 2 is a bottom rear perspective view thereof;
FIG. 3 is a front view thereof;
FIG. 4 is a rear view thereof;
FIG. 5 is a left side view thereof;
FIG. 6 is a right side view thereof;
FIG. 7 is a top view thereof; and,
FIG. 8 is a bottom view thereof.

The broken lines in the figures show portions of the display for an electronic device that form no part of the claimed design.

1 Claim, 6 Drawing Sheets

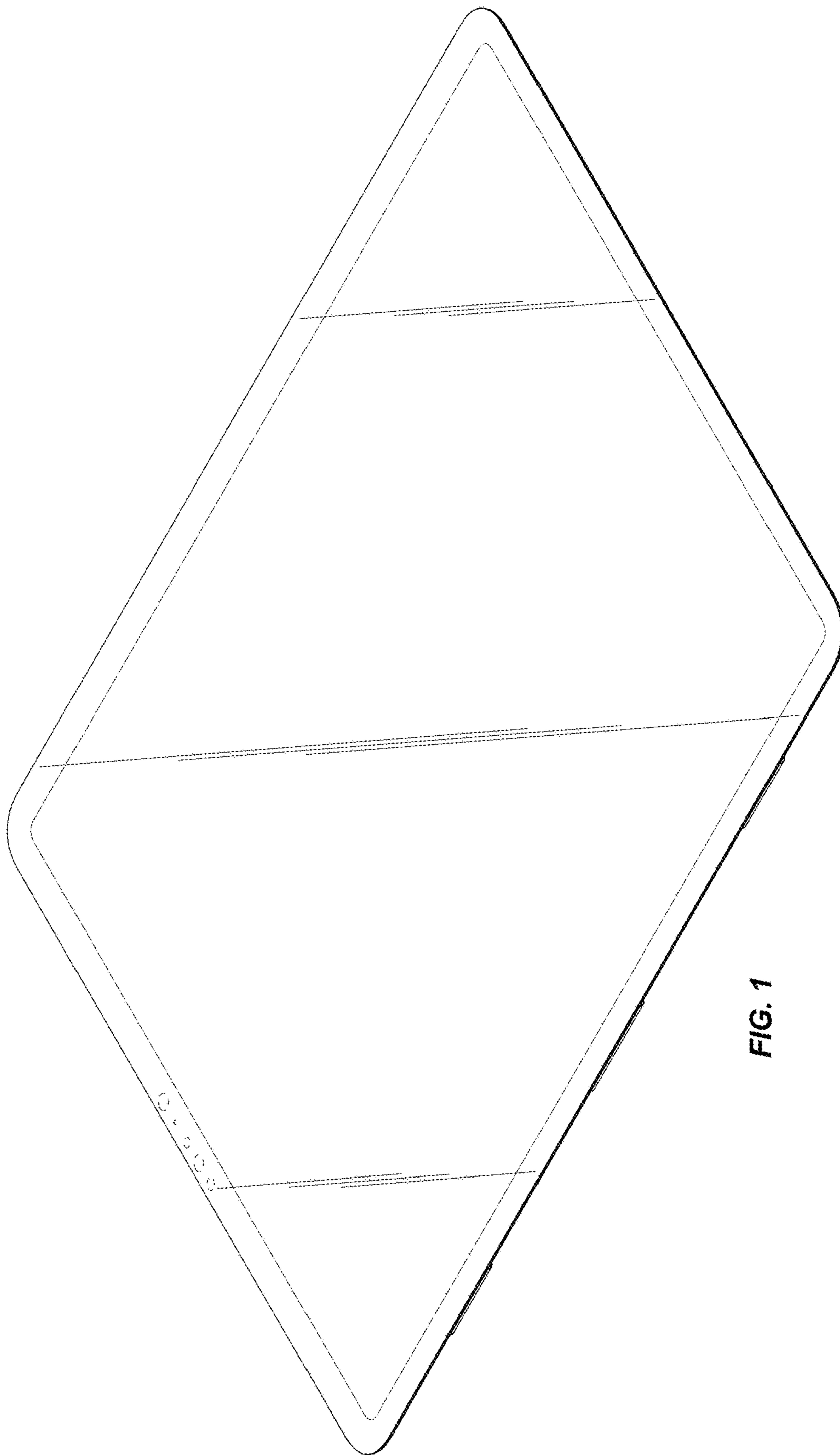
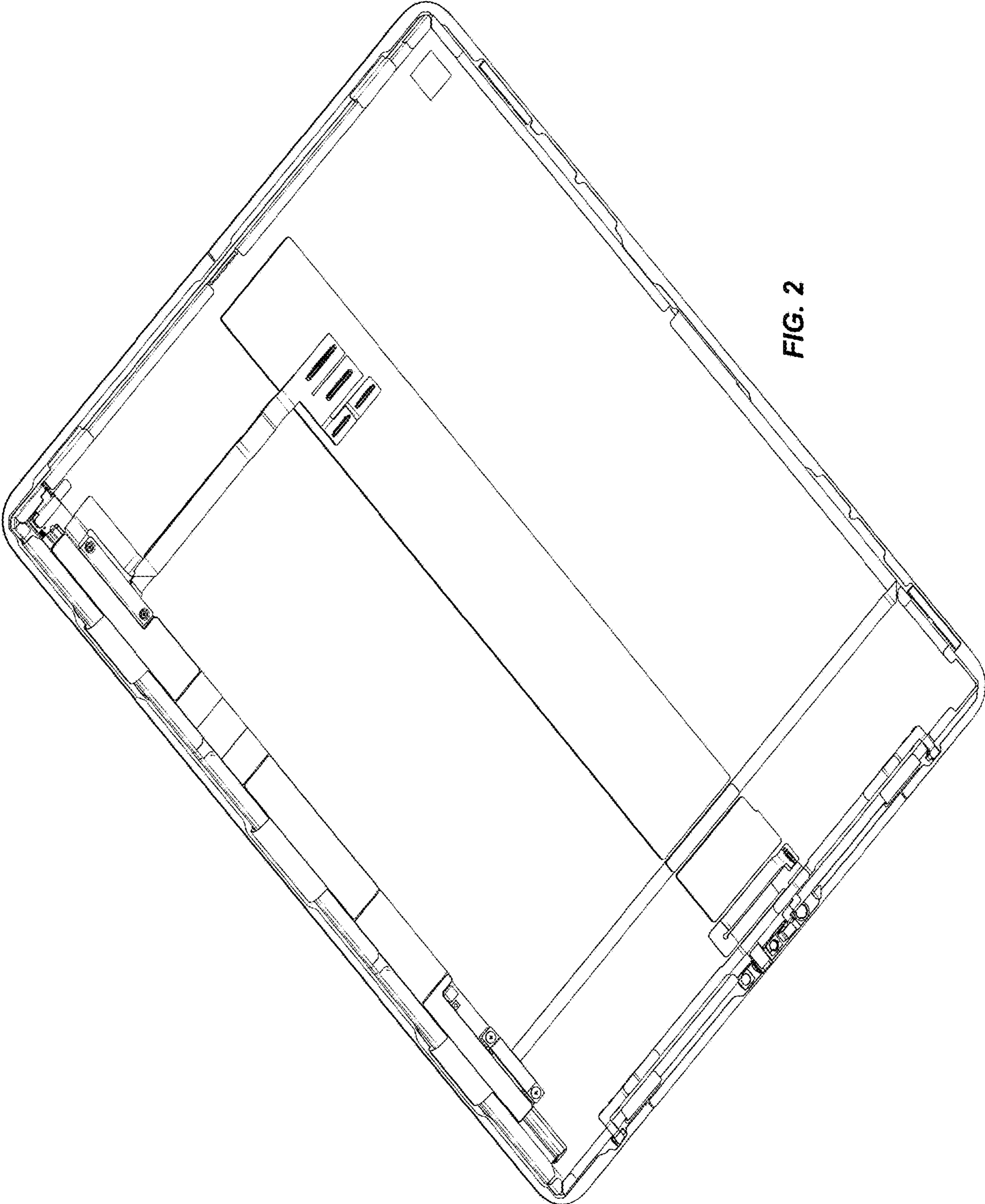


FIG. 1



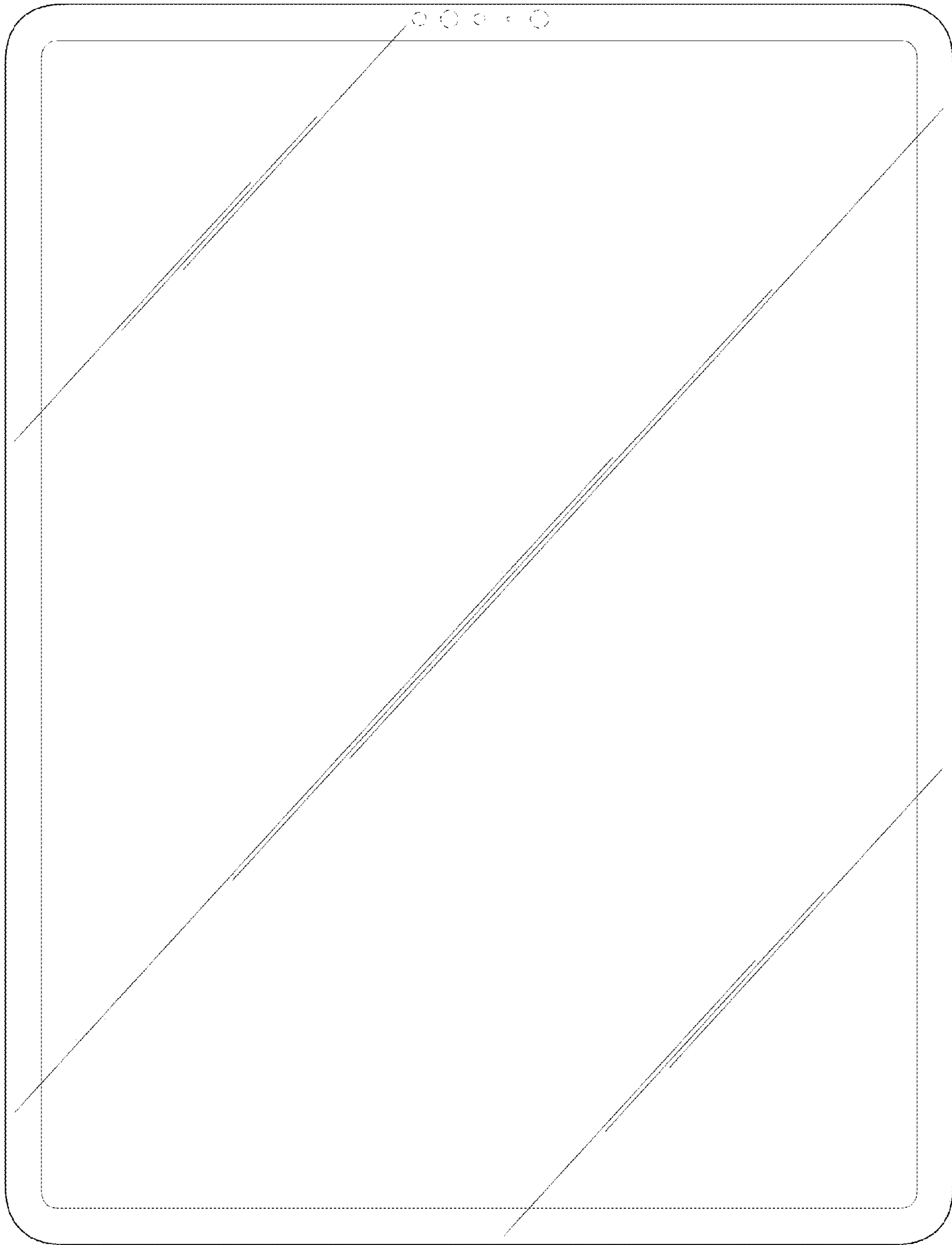


FIG. 3

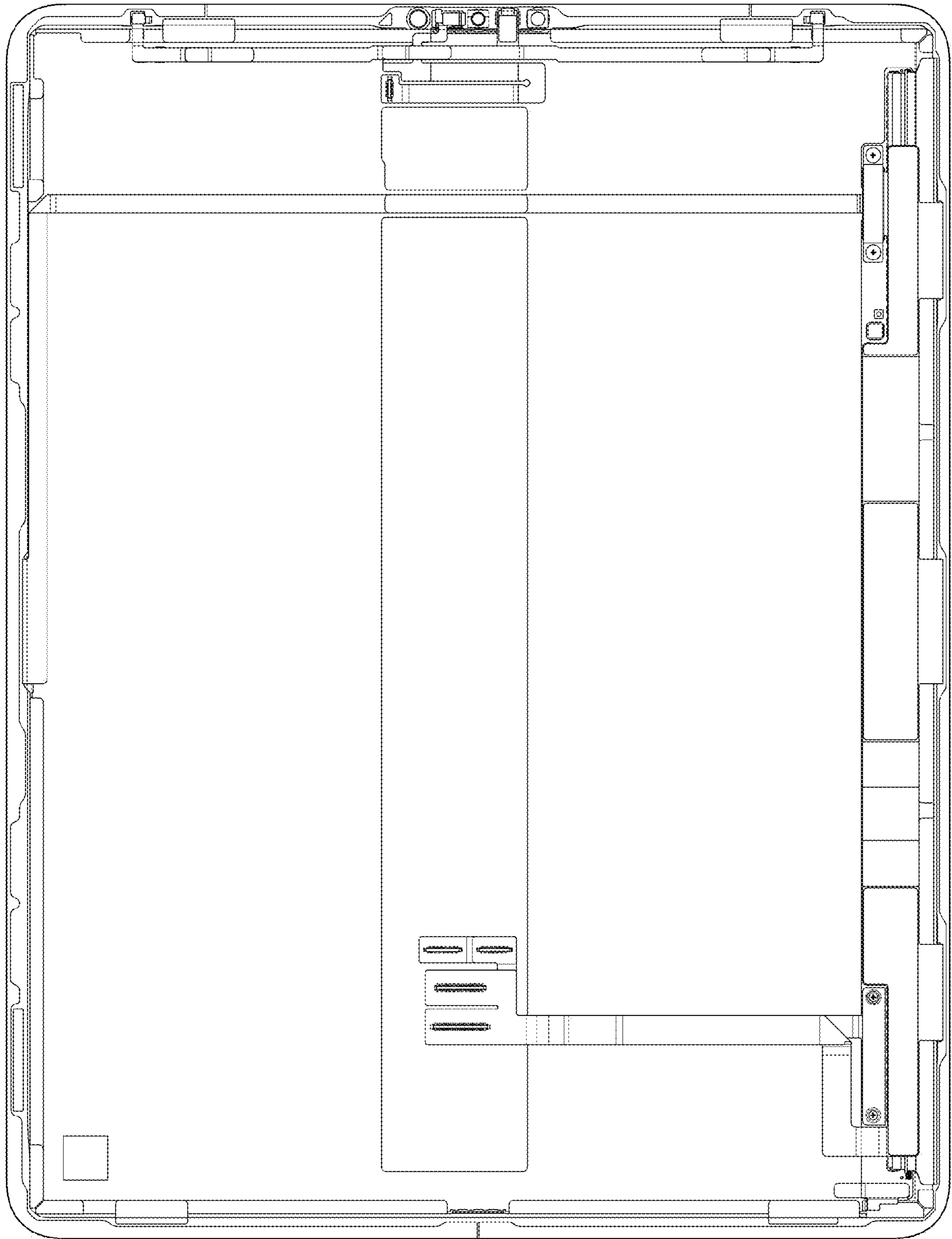


FIG. 4



FIG. 5

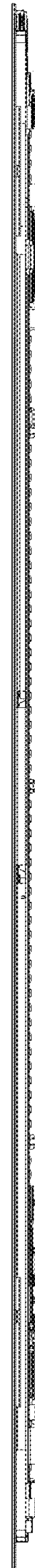


FIG. 6



FIG. 7



FIG. 8