



US00D893487S

(12) **United States Design Patent** (10) **Patent No.:** **US D893,487 S**
Liao (45) **Date of Patent:** **** Aug. 18, 2020**

(54) **MULTI-FUNCTION CONVERTER**

D784,340 S * 4/2017 Laffon de Mazieres D14/433
D788,112 S * 5/2017 Liao D14/433
D798,301 S * 9/2017 Kujawski D14/433

(71) Applicant: **Gopod Group Ltd.**,
Shenzhen/Guangdong (CN)

(Continued)

(72) Inventor: **Zhuowen Liao**, Shenzhen (CN)

FOREIGN PATENT DOCUMENTS

(73) Assignee: **GUANGDONG GOPOD GROUP HOLDING CO., LTD.**, Shenzhen (CN)

EM 006364378-0006 * 4/2019
EM 006364378-0007 * 4/2019
EM 007190186-0006 * 11/2019

(**) Term: **15 Years**

OTHER PUBLICATIONS

(21) Appl. No.: **29/676,788**

“IPAD Pro USB-C Hubs: The Best, Worst, and Weirdest Options,”
Kanex USB-C Hub pictured therein, The Verge online, post date
Aug. 2, 2019, URL: <https://www.theverge.com/2019/8/2/20750137/apple-ipad-pro-usb-c-hubs-hyperdrive-belkin-satechi-kanex>, retrieved
Feb. 11, 2020.*

(22) Filed: **Jan. 15, 2019**

(Continued)

(30) **Foreign Application Priority Data**

Dec. 28, 2018 (CN) 2018 3 0764989

(51) **LOC (12) Cl.** **14-99**

(52) **U.S. Cl.**

USPC **D14/433**

(58) **Field of Classification Search**

USPC D14/240, 242, 356, 357, 358, 378, 383,
D14/384, 385, 386, 433, 434, 435.1,
D14/480.1, 480.3, 480.4, 480.5, 480.6,
D14/480.7; D13/103, 107, 108, 110, 146;
D18/12, 12.1, 12.3

CPC H01R 25/003; H01R 25/006; H01R 27/02;
H01R 31/005; H01R 13/60; H01R
13/6658; H01R 13/72; G06F 1/1607;
G06F 1/1632; G06F 1/1684; G06F 1/266;
G06F 11/325; G06F 13/00; G06F 13/12;
G06F 13/14; G06F 13/20; G06F 13/382;
G06F 13/4022; G06F 9/4413

See application file for complete search history.

(56) **References Cited**

U.S. PATENT DOCUMENTS

D560,165 S * 1/2008 Matityahu D13/133
D758,308 S * 6/2016 Choo D13/108

Primary Examiner — Jeffrey D Asch
Assistant Examiner — Rebekah A Caruso

(74) *Attorney, Agent, or Firm* — Dorsey & Whitney LLP

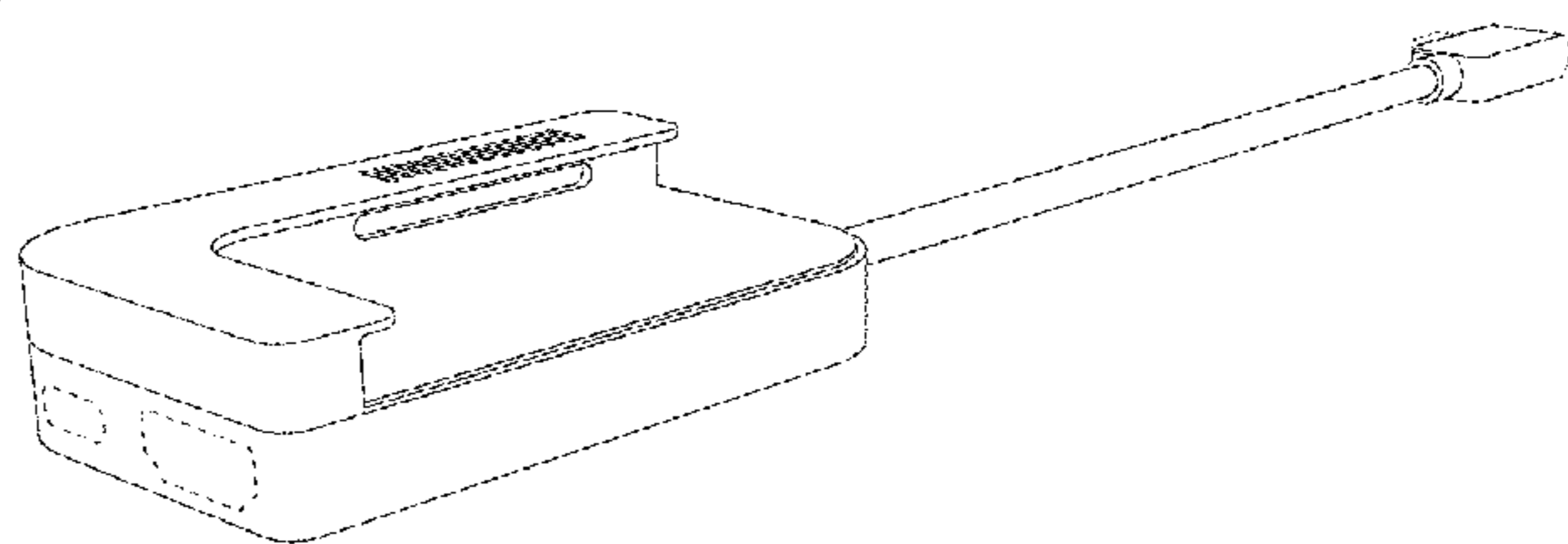
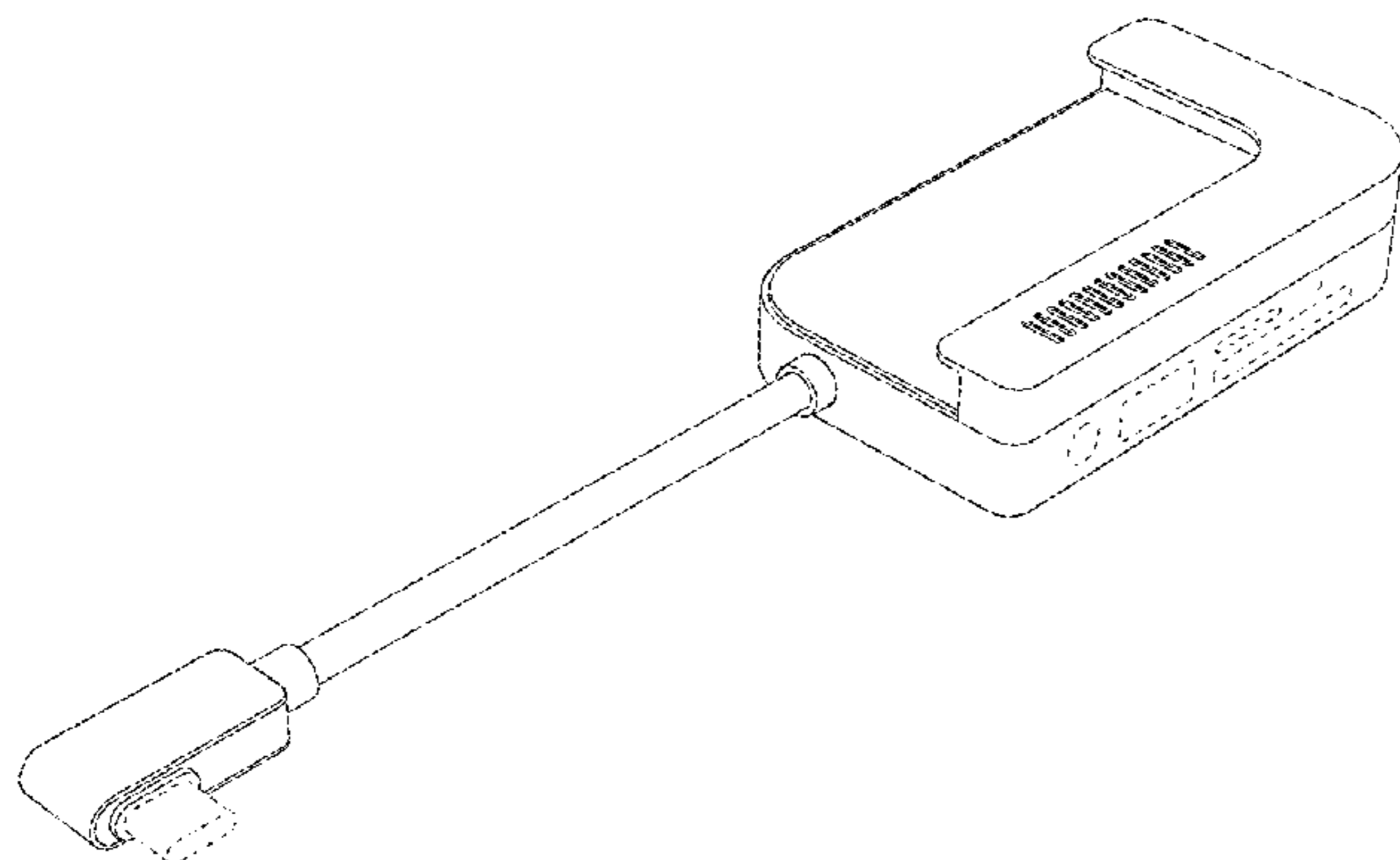
(57) **CLAIM**

The ornamental design for a multi-function converter, as shown and described.

DESCRIPTION

FIG. 1 is a top view of a multi-function converter showing my new design;
FIG. 2 is a left side view thereof;
FIG. 3 is a right side view thereof;
FIG. 4 is a bottom view thereof;
FIG. 5 is a front view thereof;
FIG. 6 is a rear view thereof;
FIG. 7 is a top, front, left side perspective view thereof; and,
FIG. 8 is a top, rear, right side perspective view thereof.
The broken lines shown in the drawings illustrate portions of the multi-function converter that form no part of the claimed design.

1 Claim, 8 Drawing Sheets



(56)

References Cited

U.S. PATENT DOCUMENTS

D798,811 S	*	10/2017	Liao	D13/110
D824,387 S	*	7/2018	Oberpriller	D14/433
D828,355 S	*	9/2018	Xie	D14/433
D828,839 S	*	9/2018	Zhang	D14/433
D828,840 S	*	9/2018	Zhang	D14/433
D828,841 S	*	9/2018	Zhang	D14/433
D853,396 S	*	7/2019	Kong	D14/434
D856,278 S	*	8/2019	Turksu	D13/108
D858,529 S	*	9/2019	Oberpriller	D14/433

OTHER PUBLICATIONS

“World’s First Invisible USB-C Hub for IPAD Pro Is Very Functional,” BoltHub USB-C hub pictured therein, online, post date Jun. 10, 2019, URL: <https://www.yankodesign.com/2019/06/10/worlds-first-invisible-usb-c-hub-for-ip>, retrieved Feb. 26, 2020.*

* cited by examiner

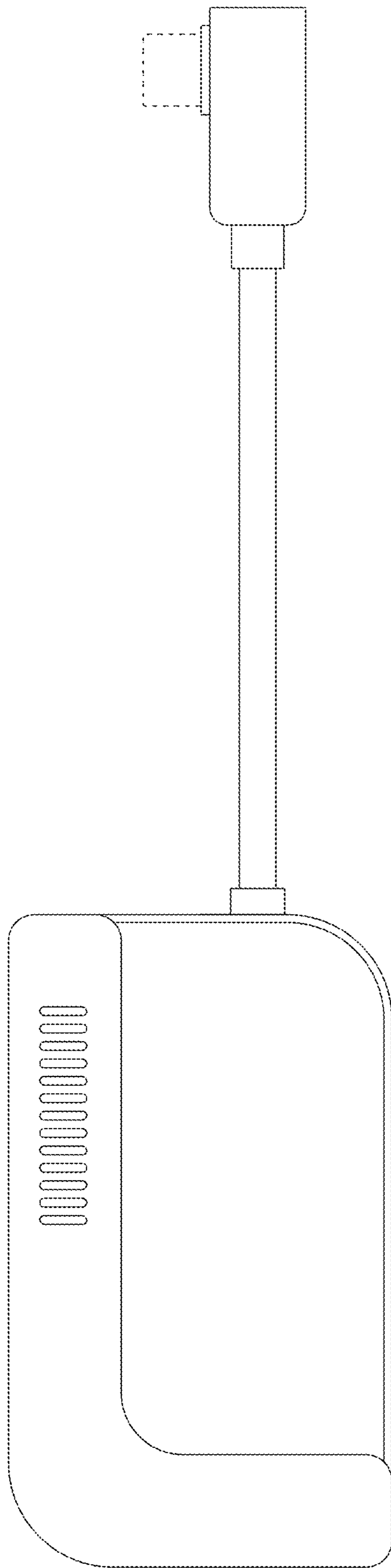


FIG. 1

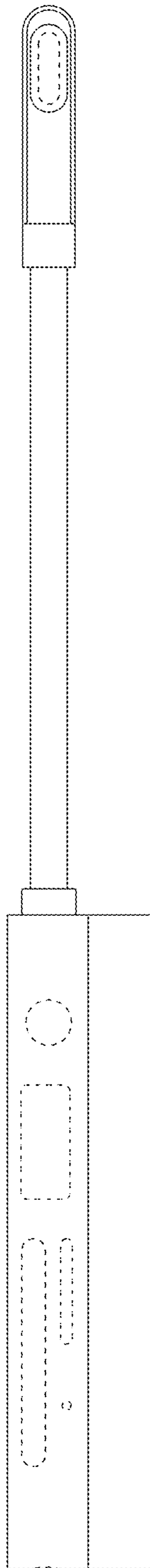


FIG. 2

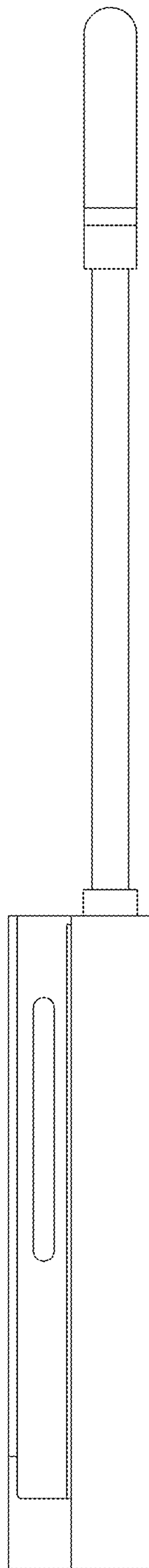


FIG. 3

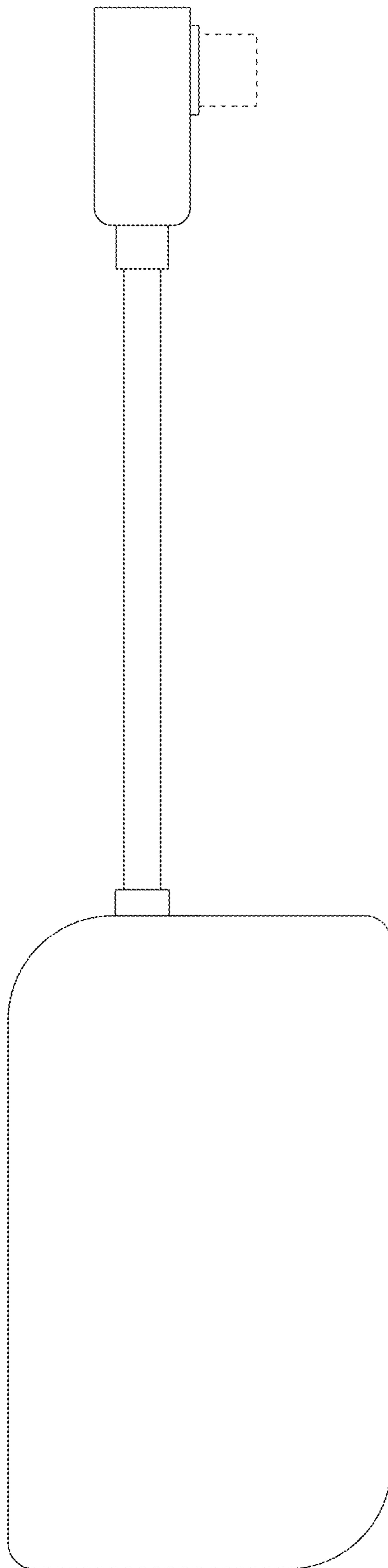


FIG. 4

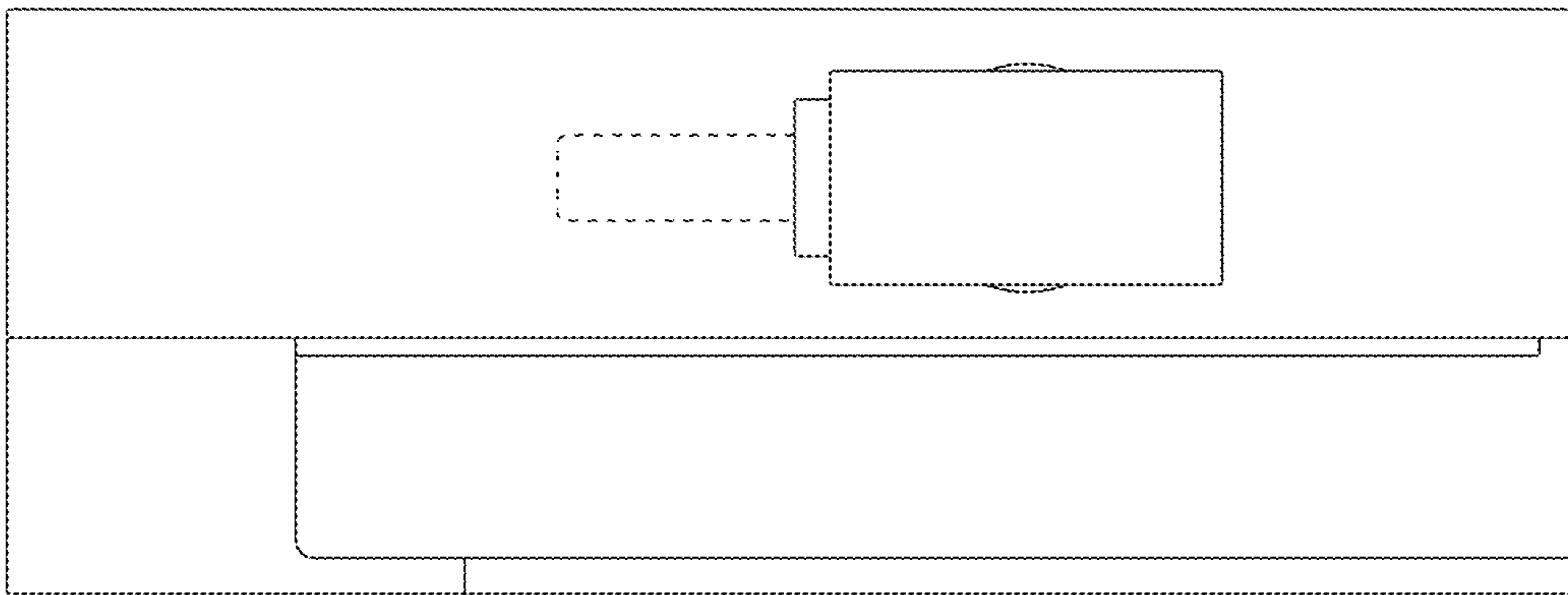


FIG. 5

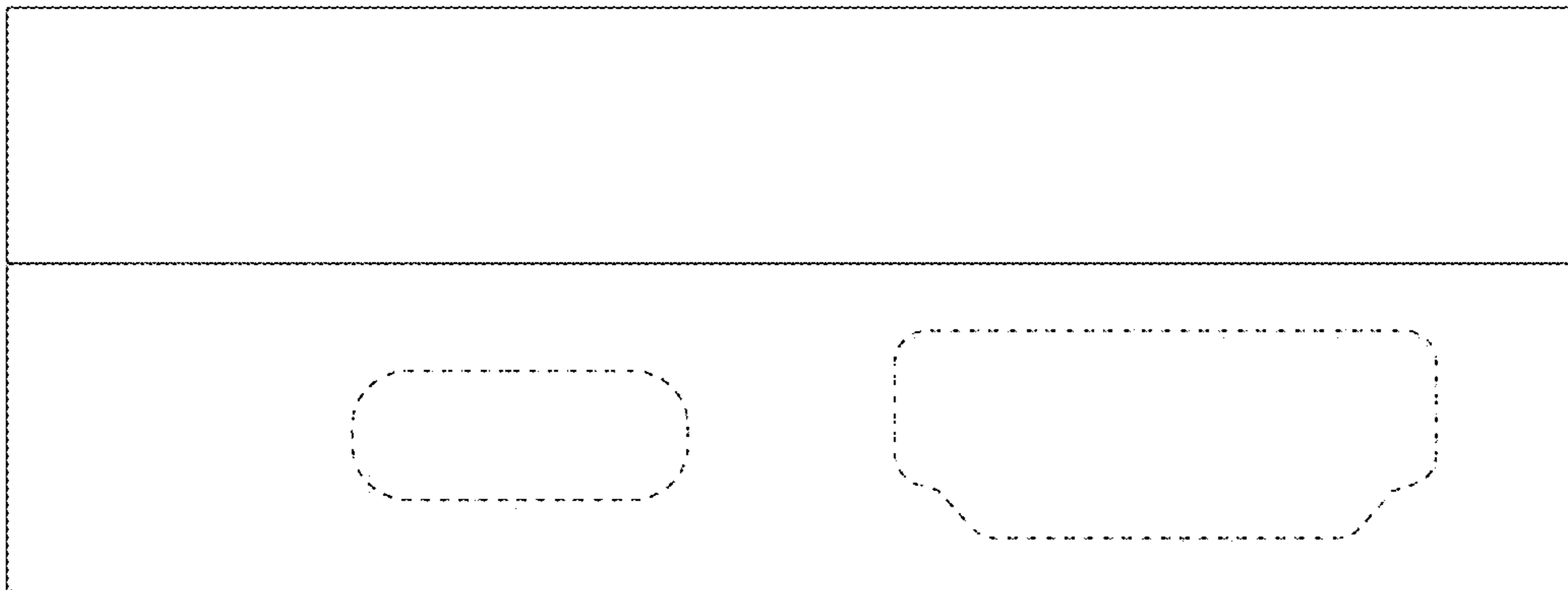


FIG. 6

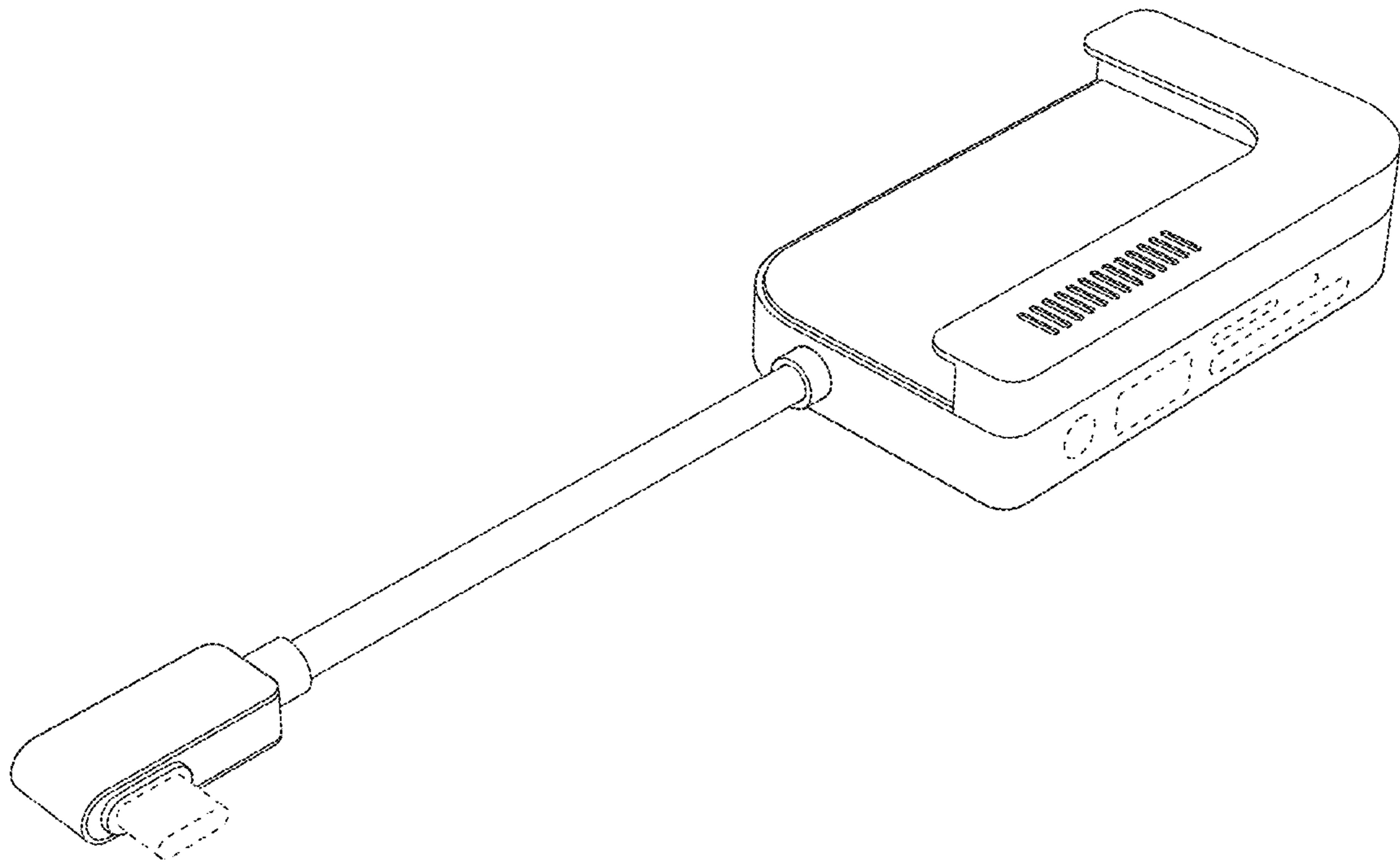


FIG. 7

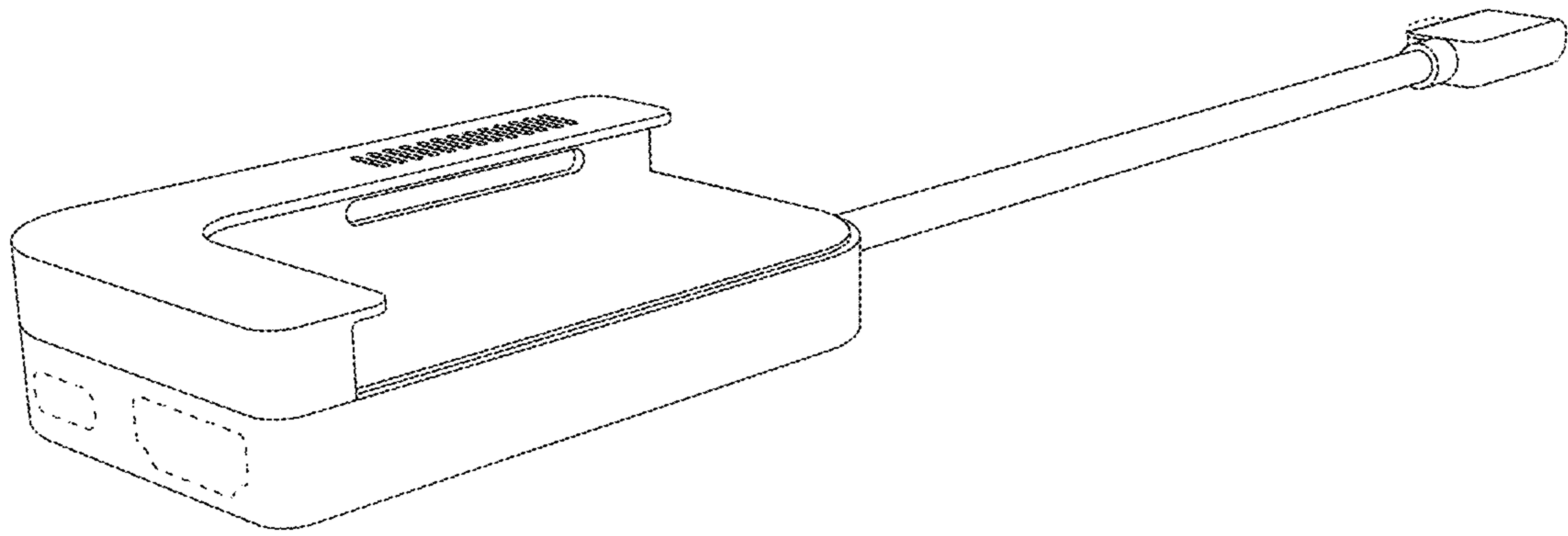


FIG. 8