



US00D893485S

(12) **United States Design Patent**
Bohler

(10) **Patent No.:** **US D893,485 S**

(45) **Date of Patent:** **** Aug. 18, 2020**

(54) **WEARABLE INTERFACE**

(71) Applicant: **Elliott Bohler**, Fayetteville, NC (US)

(72) Inventor: **Elliott Bohler**, Fayetteville, NC (US)

(**) Term: **15 Years**

(21) Appl. No.: **29/728,857**

(22) Filed: **Mar. 22, 2020**

(51) **LOC (12) Cl.** **14-02**

(52) **U.S. Cl.**
USPC **D14/432**

(58) **Field of Classification Search**
USPC D2/610, 612, 613, 614, 615, 616, 617,
D2/618, 619, 620, 621, 623; D14/356,
D14/372; D29/113, 116.2, 117.1, 117.2,
D29/122, 123; 455/575.6; 434/113, 114;
601/46; 400/479

CPC G09B 15/00; G09B 21/00; G09B 21/001;
G09B 19/00; G09B 21/003; G06F 3/011;
G06F 3/0346; G06F 1/163

See application file for complete search history.

(56) **References Cited**

U.S. PATENT DOCUMENTS

6,098,886 A * 8/2000 Swift G06K 7/10891
235/462.44
6,141,643 A * 10/2000 Harmon G10L 21/06
235/462.44
D824,638 S * 8/2018 Jie D2/617
10,186,166 B2 * 1/2019 Gialamas G09B 15/06
2003/0006962 A1 * 1/2003 Bajramovic G06F 3/014
345/158

2004/0001097 A1 * 1/2004 Zngf G06F 3/014
715/773
2010/0134327 A1 * 6/2010 Dinh G06F 3/017
341/20
2013/0303951 A1 * 11/2013 Liu A63B 23/16
601/46
2014/0134575 A1 * 5/2014 Kim G09B 21/025
434/114
2015/0314195 A1 * 11/2015 Bekri A63F 13/285
463/30
2017/0039882 A1 * 2/2017 Hashimoto G09B 19/0038
2017/0262060 A1 * 9/2017 Katsuki G06F 3/038
2017/0316765 A1 * 11/2017 Louhivuori G10H 1/0008

* cited by examiner

Primary Examiner — Austin Murphy

(74) *Attorney, Agent, or Firm* — Elliott I. Bohler

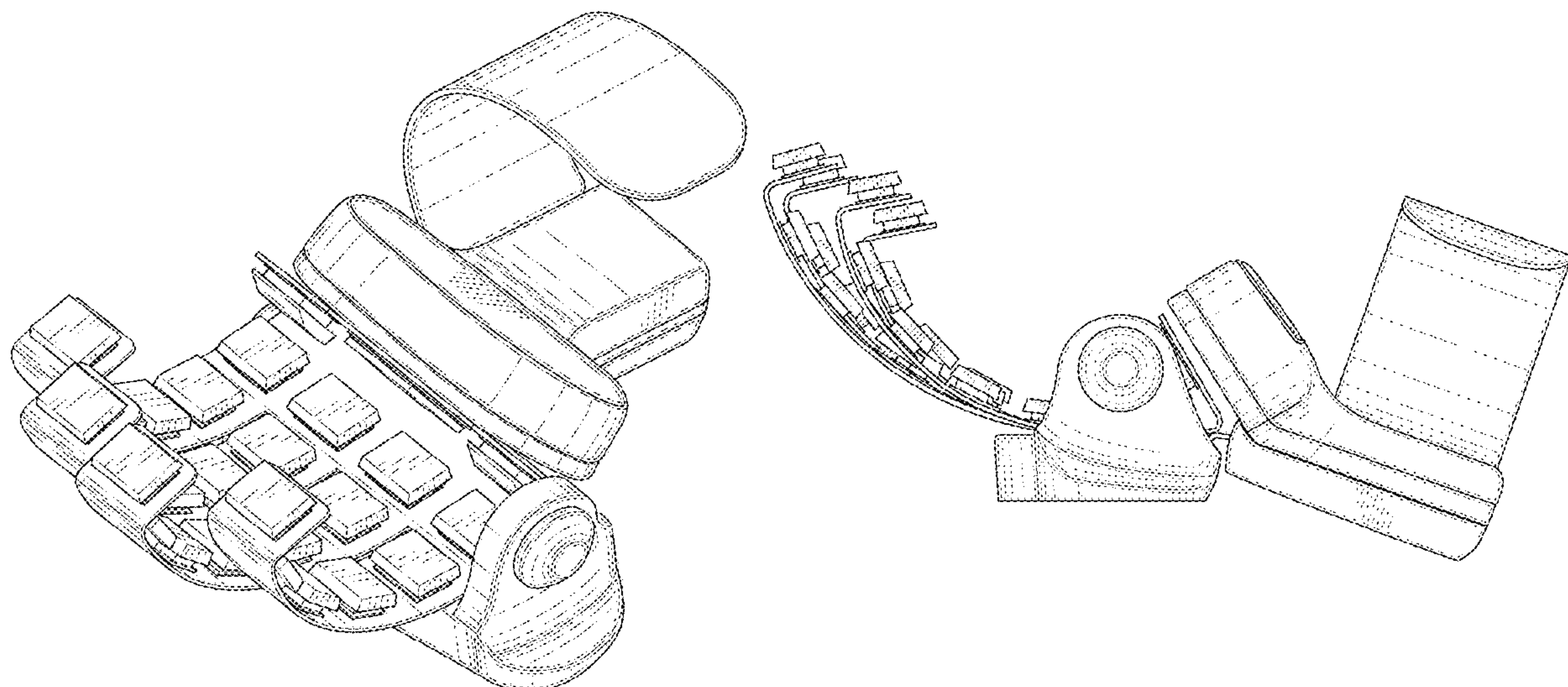
(57) **CLAIM**

The ornamental design for a wearable interface, as shown and described.

DESCRIPTION

FIG. 1 is a top, front and left side perspective view of a wearable interface showing my new design;
FIG. 2 is of a bottom, rear, and right side perspective view thereof;
FIG. 3 is a left side plan view thereof;
FIG. 4 is a right side plan view thereof;
FIG. 5 is a front elevational view thereof;
FIG. 6 is a rear elevational view thereof;
FIG. 7 is a top plan view thereof;
FIG. 8 is a bottom plan view thereof; and,
FIG. 9 is a perspective view thereof.

1 Claim, 9 Drawing Sheets



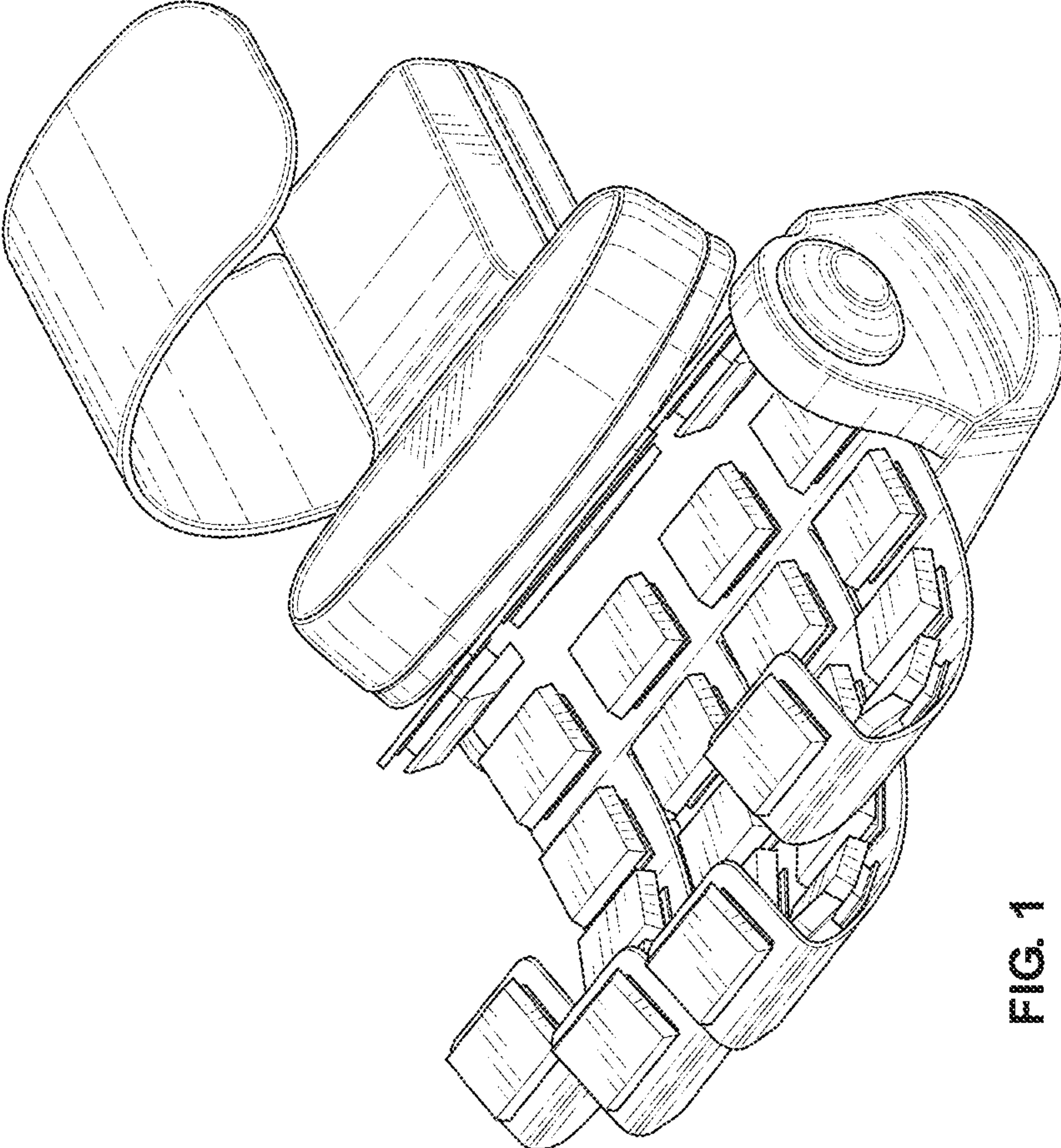


FIG. 1

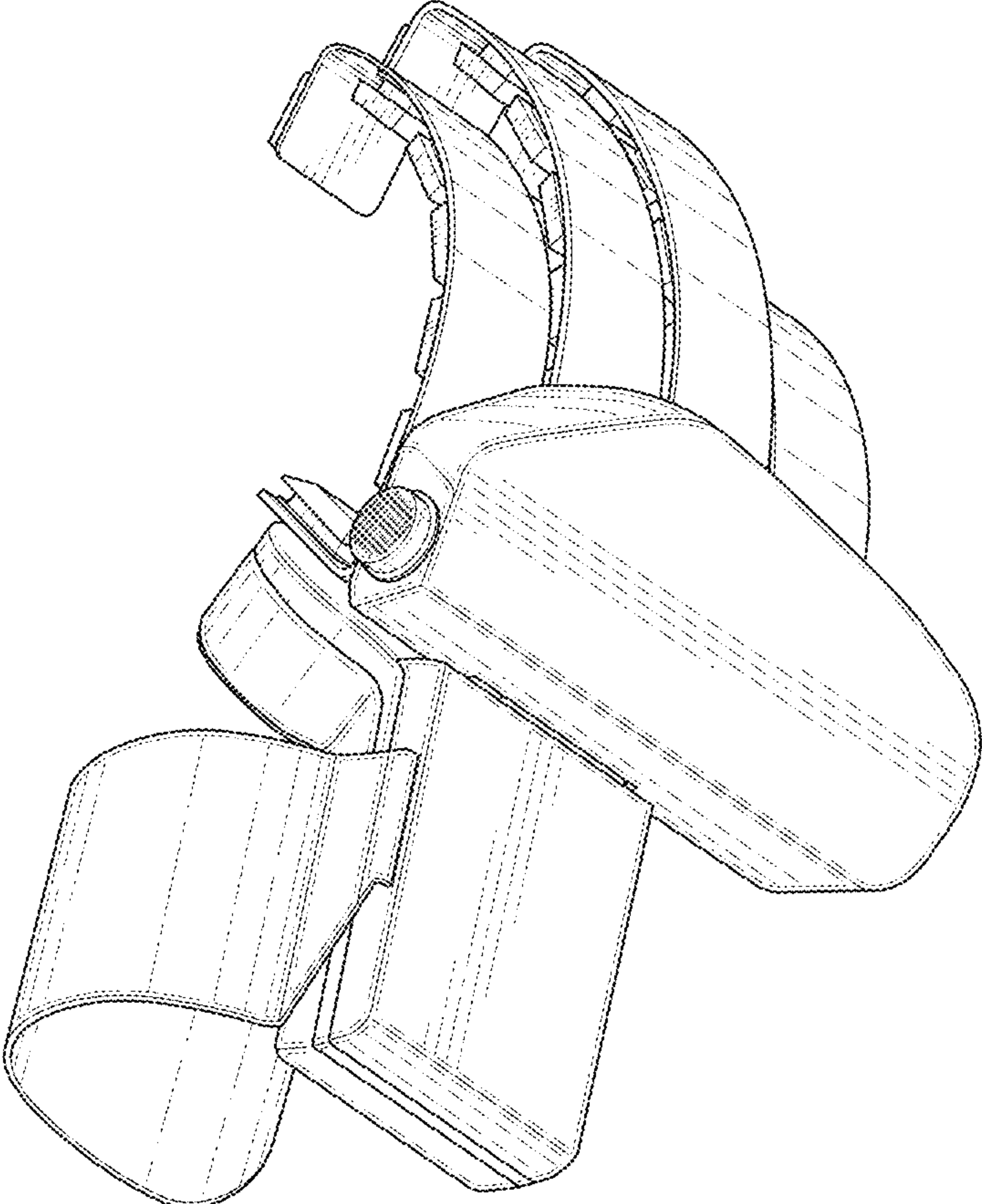


FIG. 2

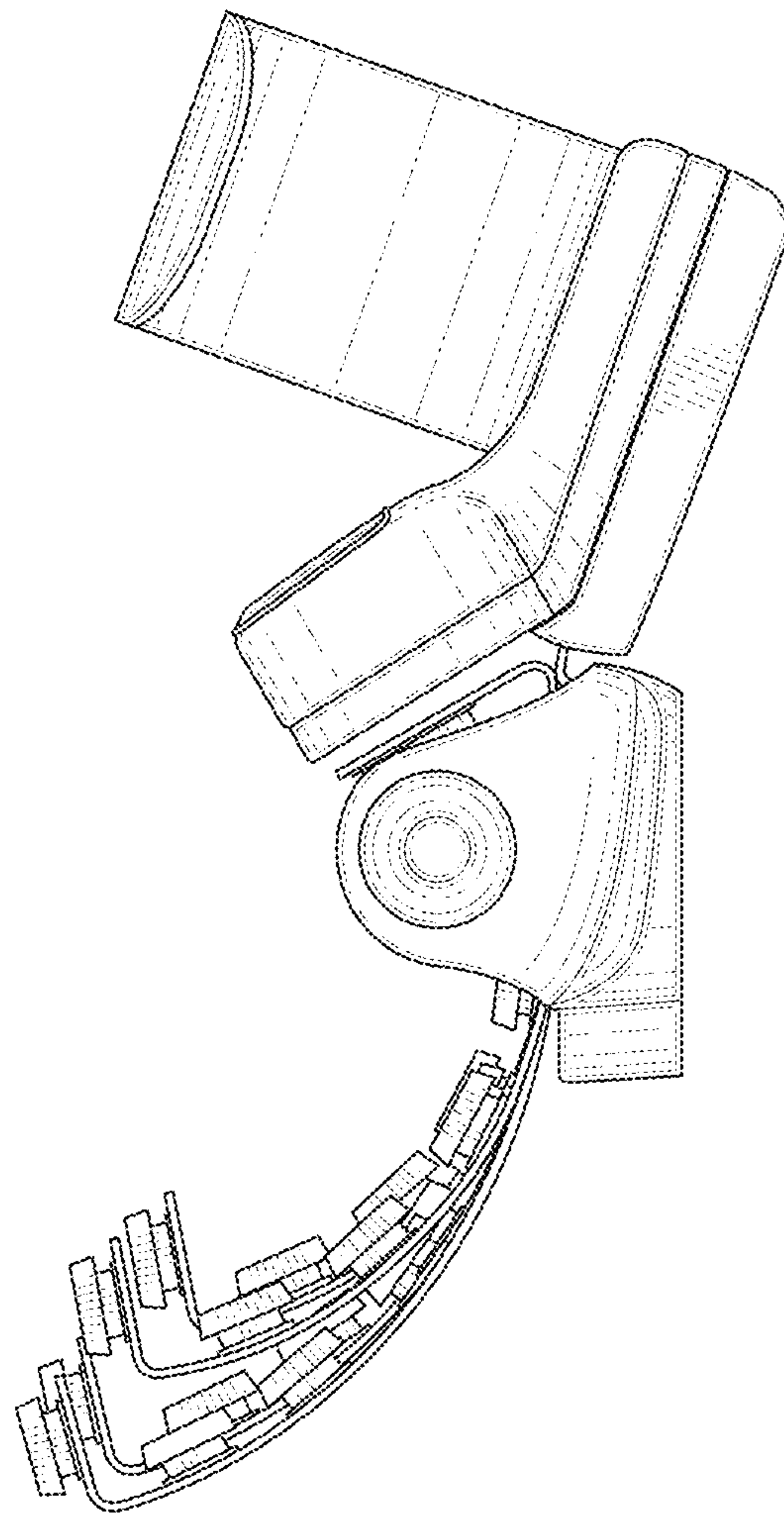


FIG. 3

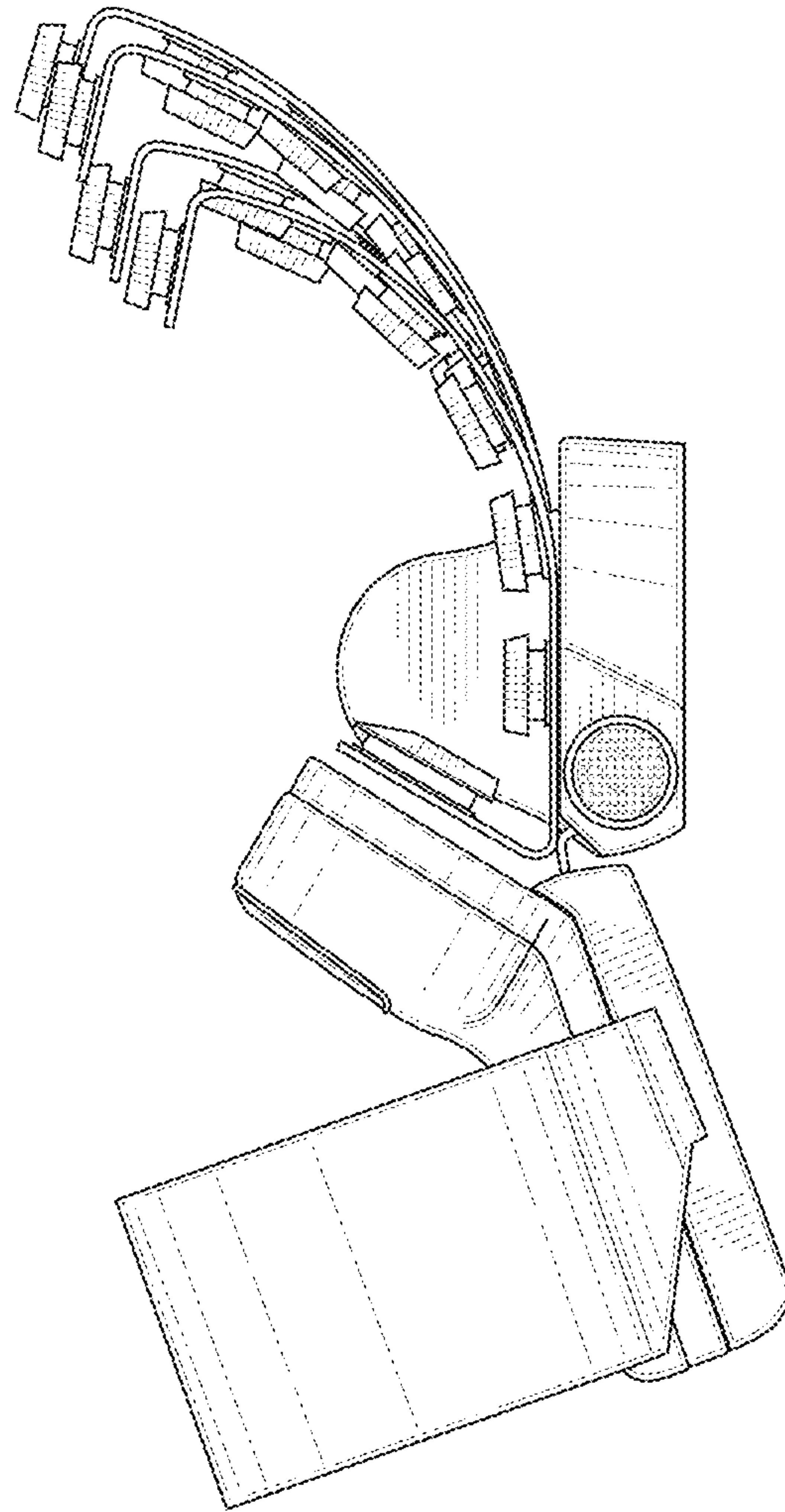


FIG. 4

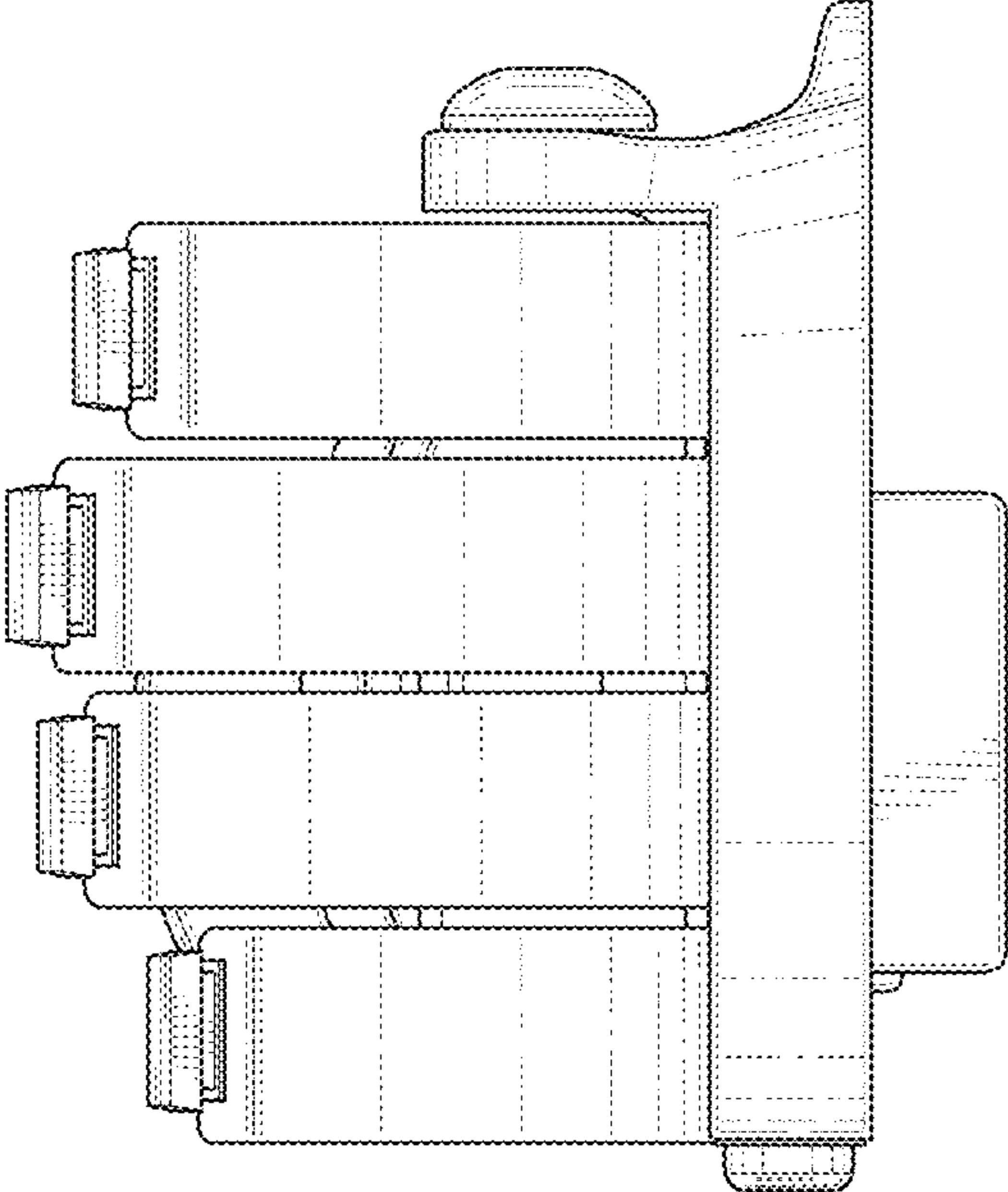


FIG. 5

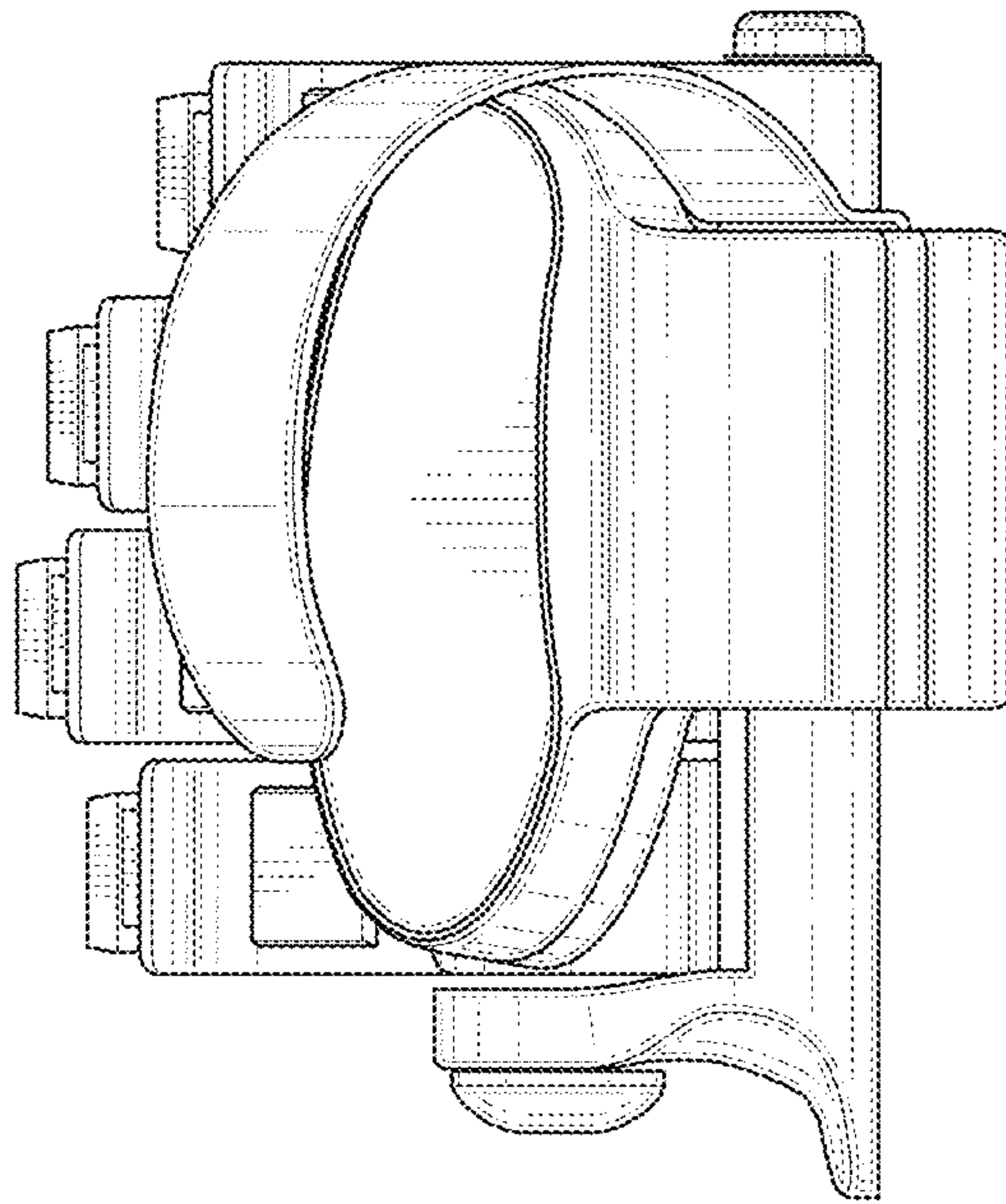


FIG. 6

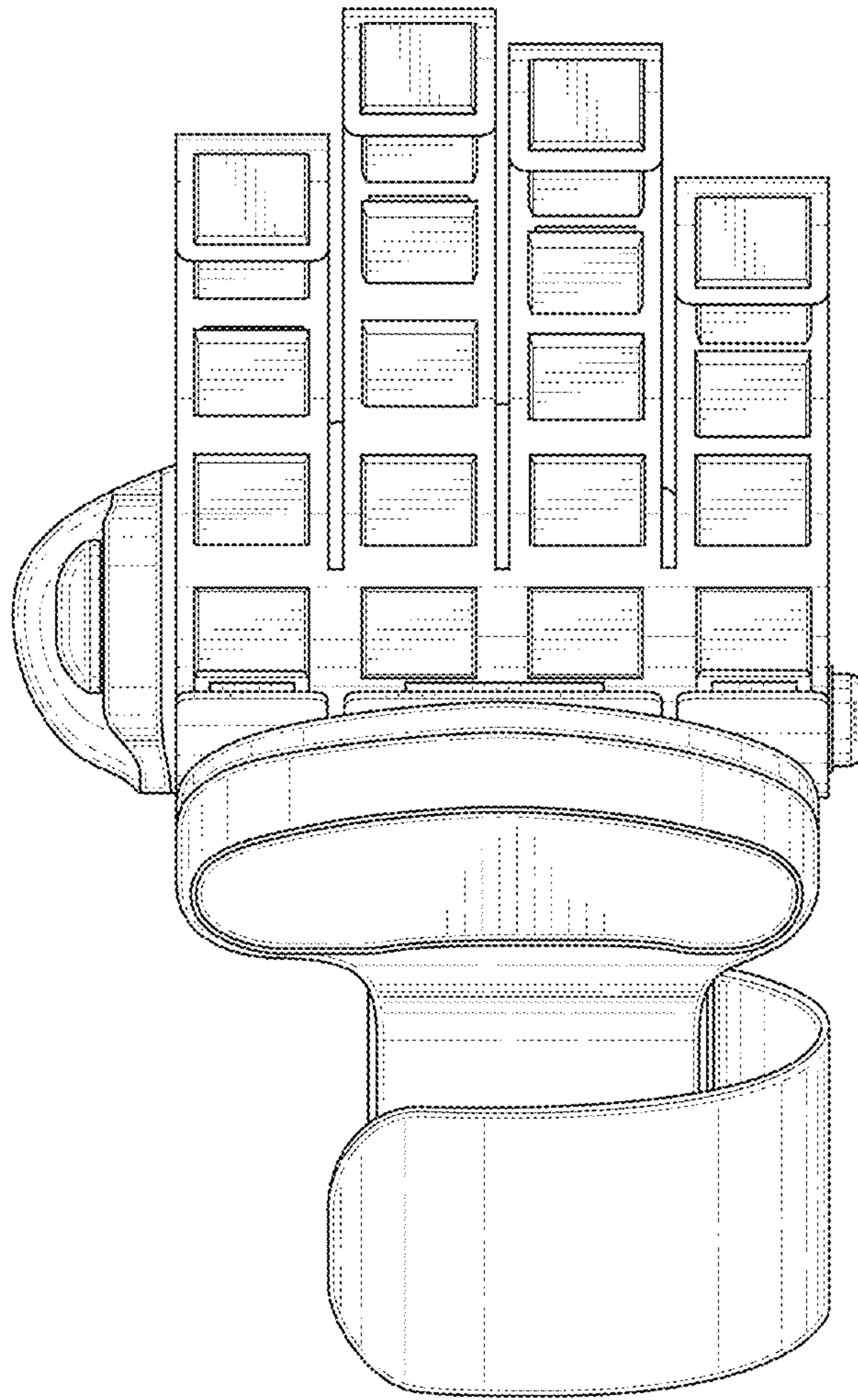


FIG. 7

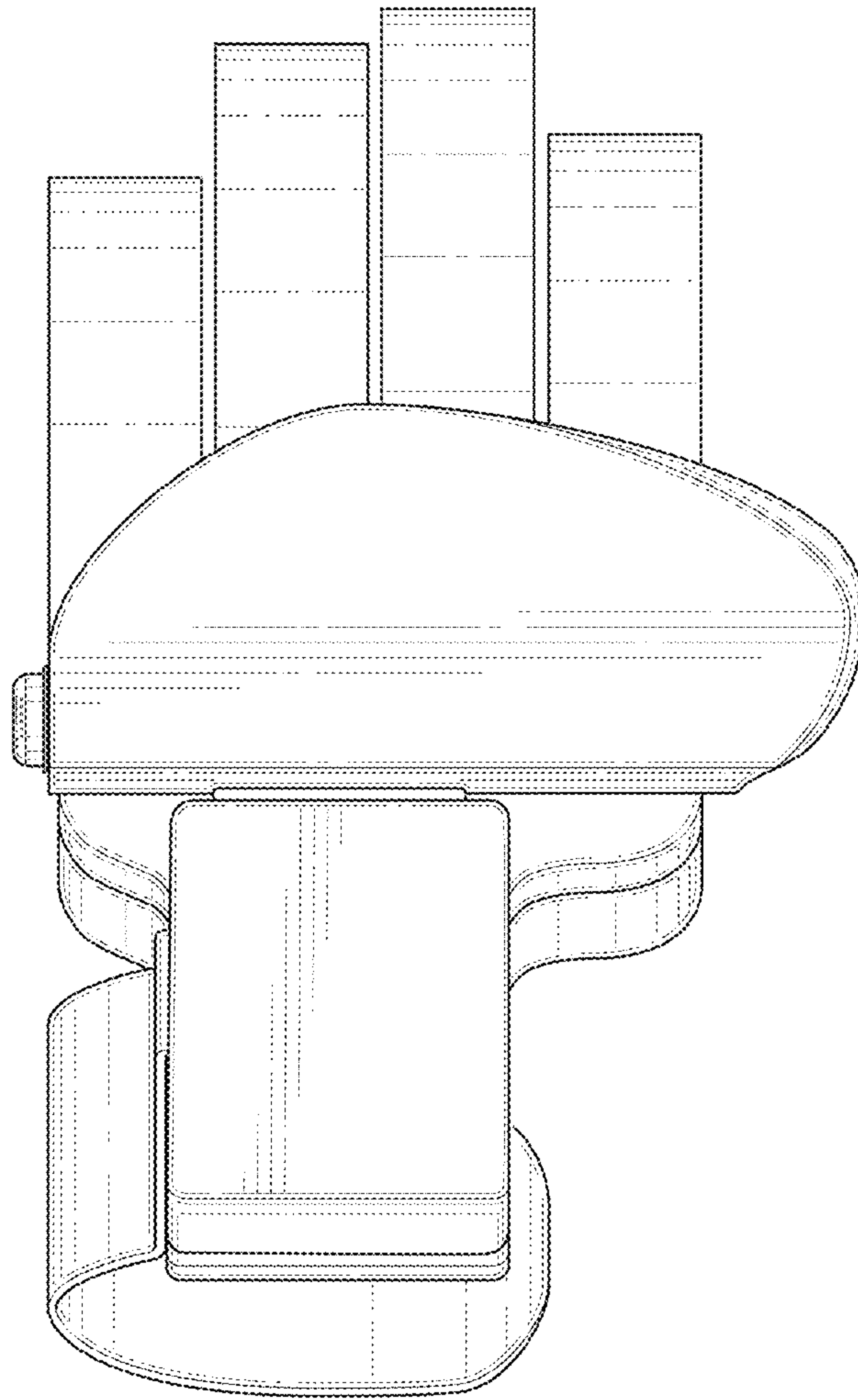


FIG. 8

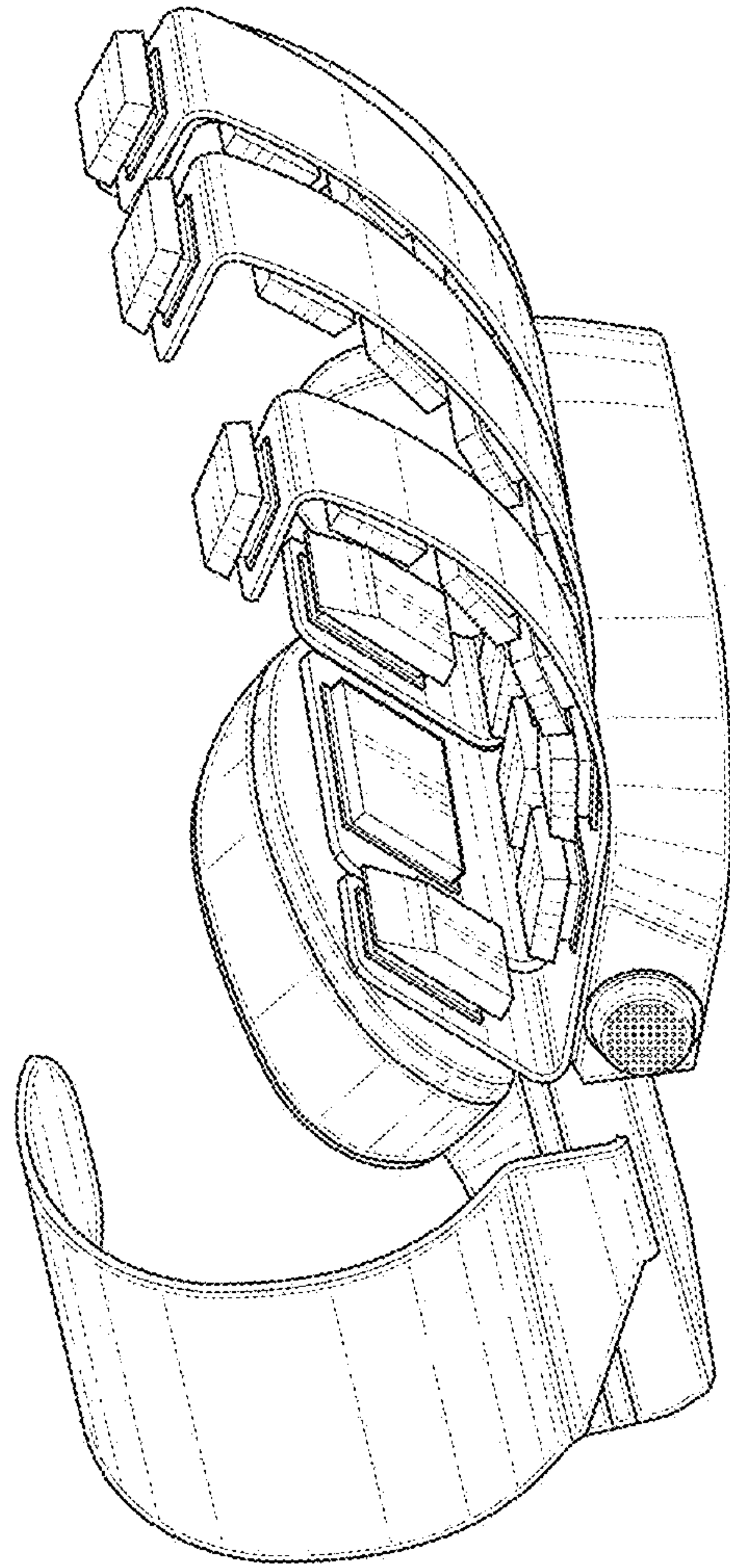


FIG. 9