

US00D893483S

(12) **United States Design Patent** (10) **Patent No.:** **US D893,483 S**
Hu (45) **Date of Patent:** **** Aug. 18, 2020**

(54) **KEYBOARD**

(71) Applicant: **SHENZHEN QIANHAI PATUOXUN NETWORK AND TECHNOLOGY CO., LTD**, Shenzhen (CN)

(72) Inventor: **Zaihui Hu**, Shenzhen (CN)

(73) Assignee: **SHENZHEN QIANHAI PATUOXUN NETWORK AND TECHNOLOGY CO., LTD**, Shenzhen (CN)

(**) Term: **15 Years**

(21) Appl. No.: **29/719,341**

(22) Filed: **Jan. 3, 2020**

(51) **LOC (12) Cl.** **14-02**

(52) **U.S. Cl.**
USPC **D14/392**

(58) **Field of Classification Search**
USPC D14/203.4, 203.6, 247, 315-327, D14/345-346, 391-399, 455-457, 477, D14/507, 509; D18/1-2, 4.1-4.6, 7, 11; 235/145 A, 145 R; 341/22-23; 361/679.08, 679.09, 679.11, 679.26, 361/679.27; 708/142, 146; D17/1, 5, 7
CPC B41J 5/00; B41J 5/10; B41J 5/12; F16M 11/10; G06F 3/0219; G06F 3/02
See application file for complete search history.

(56) **References Cited**

U.S. PATENT DOCUMENTS

D476,657 S	7/2003	Chou	
D491,562 S	6/2004	Chou	
D518,052 S	* 3/2006	Jung	D14/392
D684,576 S	* 6/2013	Lee	D14/392
D686,616 S	* 7/2013	Guerra	D14/392
D686,617 S	* 7/2013	Guerra	D14/392
D697,913 S	* 1/2014	Park	D14/392
D720,751 S	* 1/2015	He	D14/392
D742,380 S	* 11/2015	Park	D14/392

D757,022 S	* 5/2016	Dirksen	D14/398
D765,077 S	* 8/2016	Park	D14/392
D779,488 S	2/2017	Chen et al.	
D786,869 S	* 5/2017	Liunan	D14/396
D802,598 S	* 11/2017	Turpanjian	D14/455
D820,260 S	* 6/2018	Ang	D14/391

(Continued)

FOREIGN PATENT DOCUMENTS

CN	303719031	* 6/2016
EM	007481221-0019	* 1/2020

OTHER PUBLICATIONS

Super Slim Game Keyboard, Star Technology Industrial, globalsources.com, author and date not listed © not listed, online, site visited Mar. 3, 2020. Available from Internet, URL: https://www.globalsources.com/gsol/I/Gaming-keyboard/p/sm/1173959176.htm?WT.pos_kw=prod_PrdtKWSImage_1_35... (Year: 2020).*

(Continued)

Primary Examiner — Marissa J Cash
Assistant Examiner — Altaira J Swangin

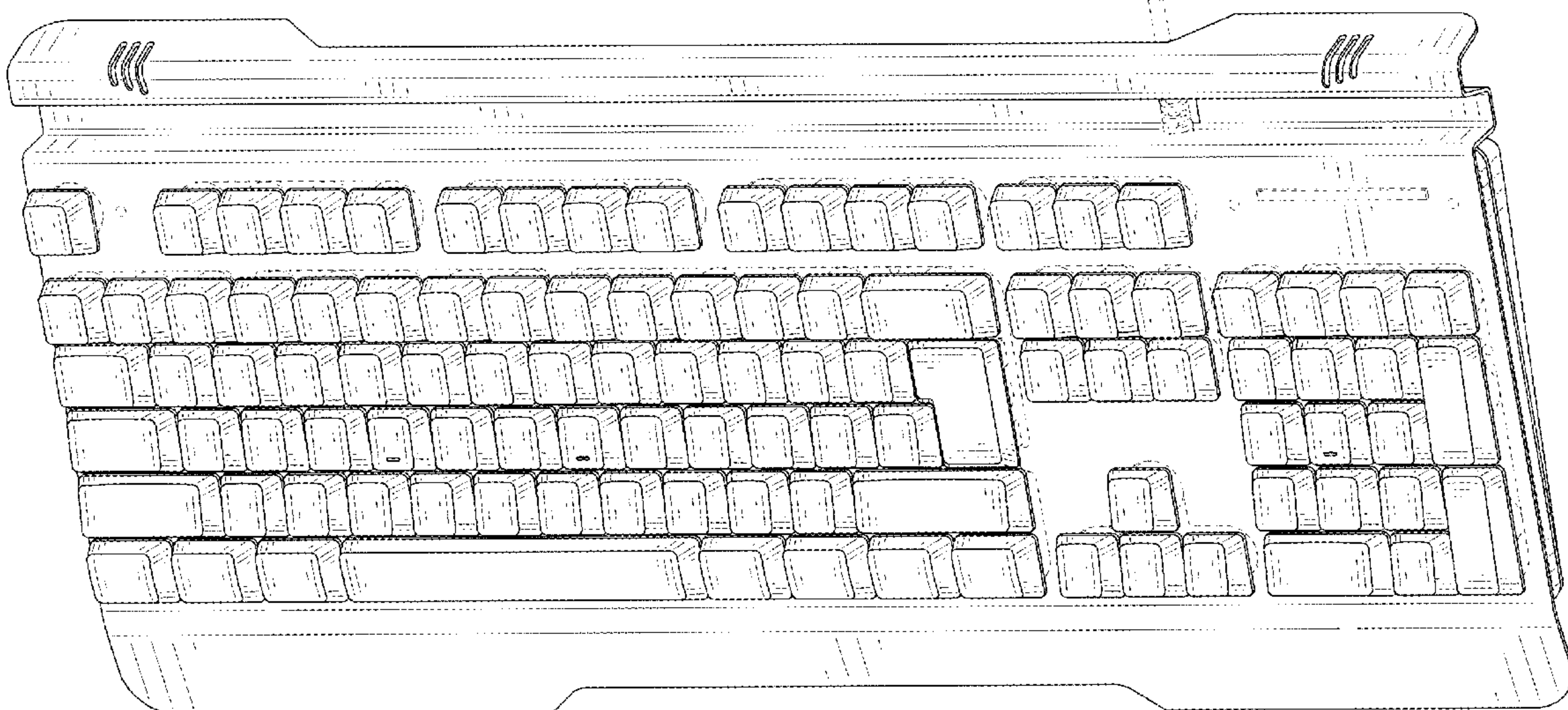
(57) **CLAIM**

The ornamental design for a keyboard, as shown and described.

DESCRIPTION

FIG. 1 is a perspective view of a keyboard showing my new design;
FIG. 2 is another perspective view thereof;
FIG. 3 is a front elevational view thereof;
FIG. 4 is a rear elevational view thereof;
FIG. 5 is a left side elevational view thereof;
FIG. 6 is a right side elevational view thereof;
FIG. 7 is a top plan view thereof; and,
FIG. 8 is a bottom plan view thereof.
The broken lines in the drawings depict portions of the keyboard that form no part of the claimed design.

1 Claim, 8 Drawing Sheets



(56)

References Cited

U.S. PATENT DOCUMENTS

10,401,972 B2 * 9/2019 Chen H01H 13/83
2014/0354551 A1 * 12/2014 Ma G06F 3/021
345/168

OTHER PUBLICATIONS

Gaming Keyboard, RATEL, amazon.com, published by RATEL on Apr. 12, 2019 © 1996-2020 Amazon.com, Inc., online, site visited Jul. 1, 2020. Available at URL: <https://www.amazon.com/Keyboard-RATEL-Colorful-Spill-Resistant-Computer/dp/B07QLBJGJS> (Year: 2019).*

* cited by examiner

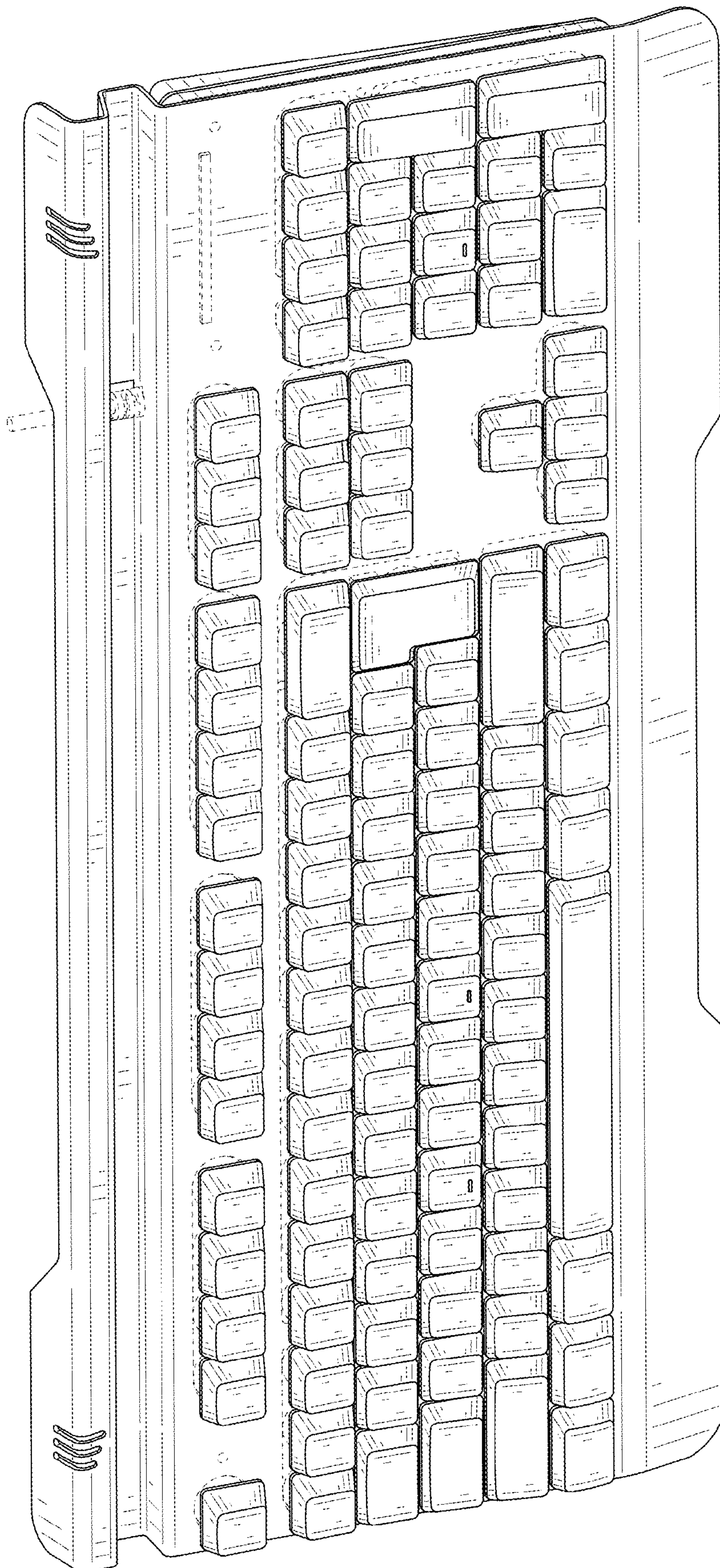


FIG. 1

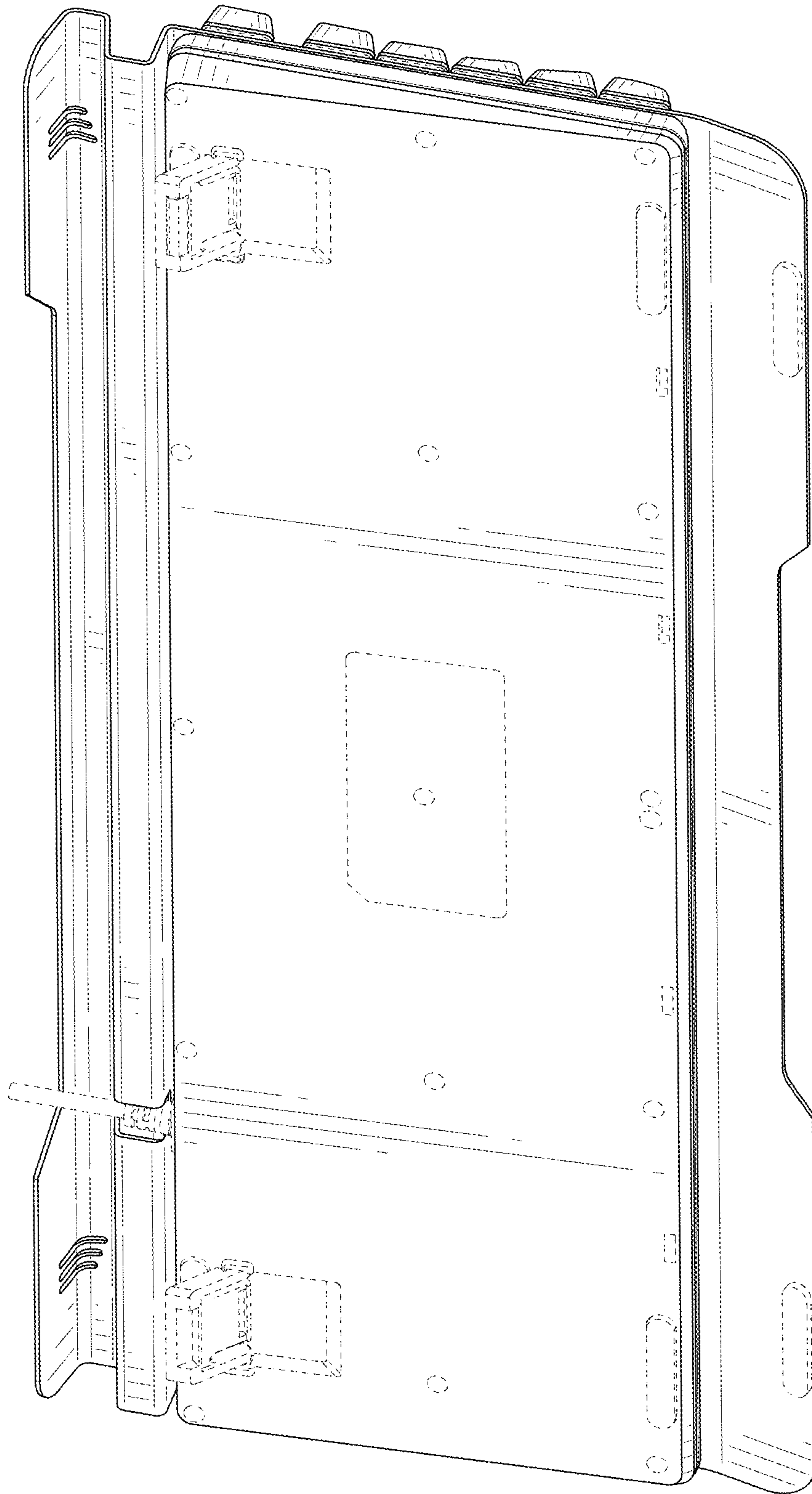


FIG. 2

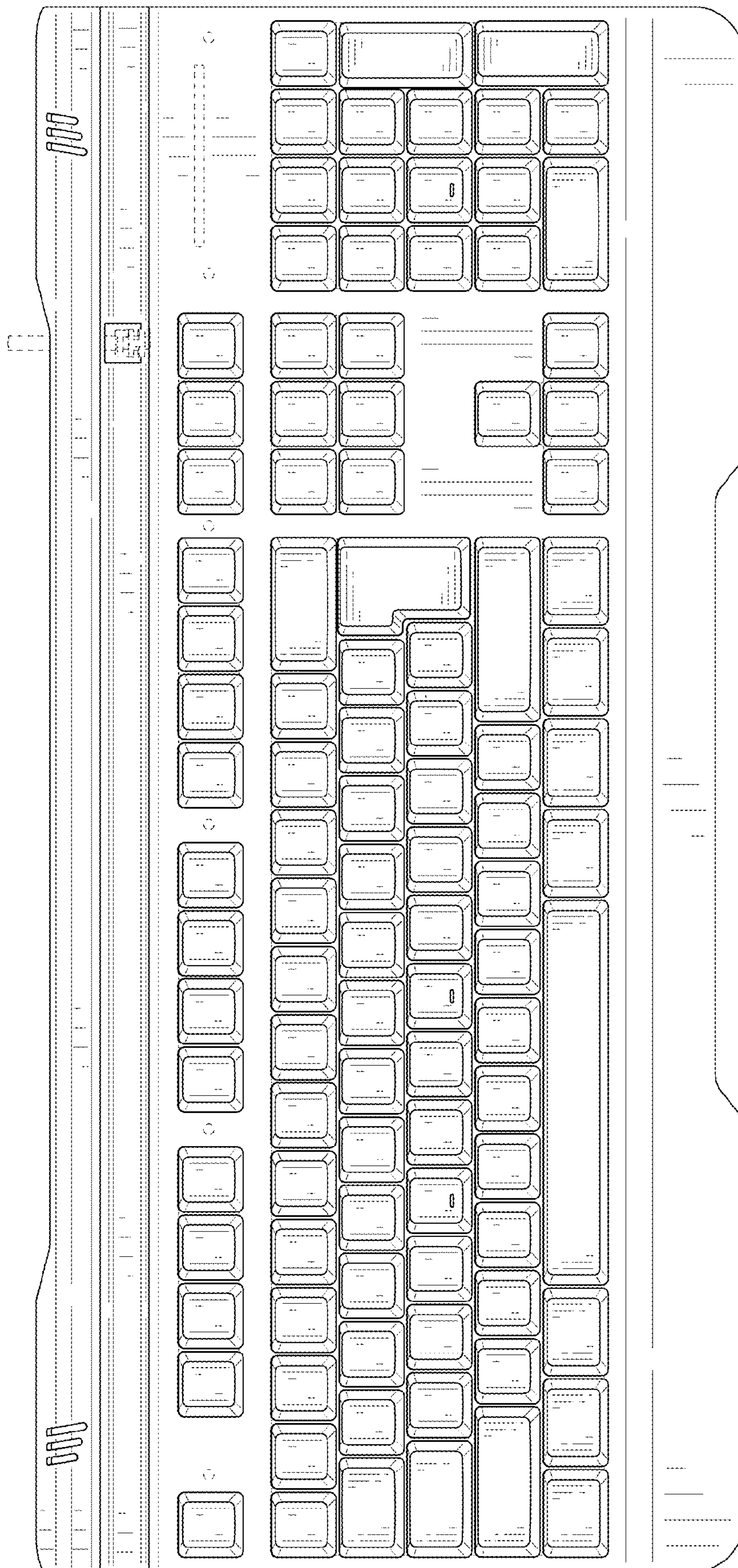


FIG. 3

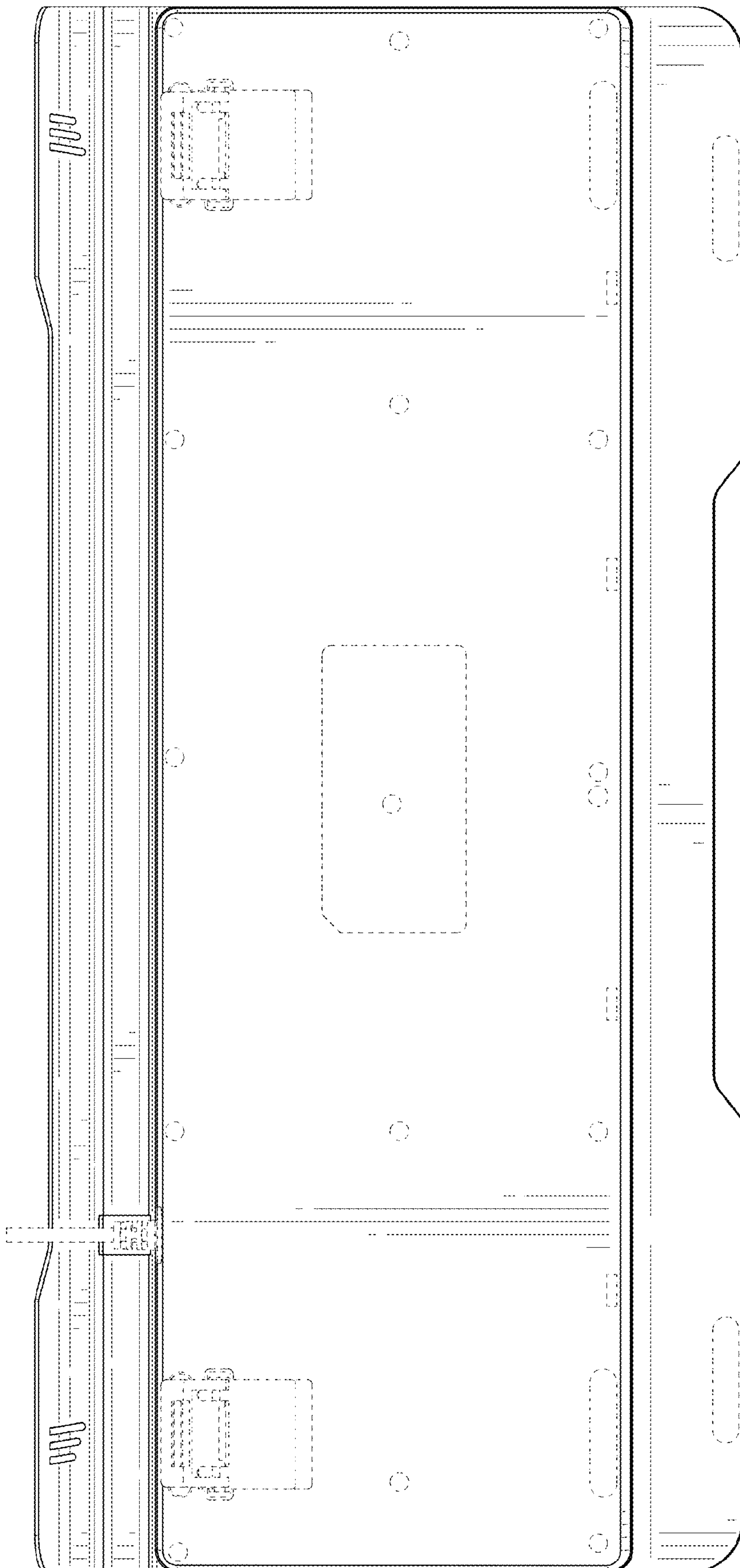


FIG. 4

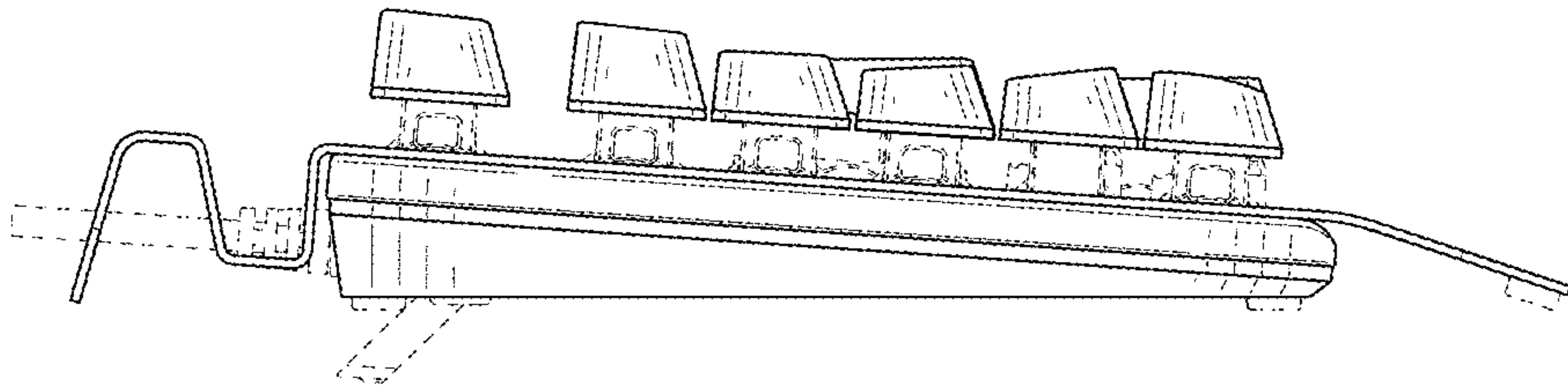


FIG. 5

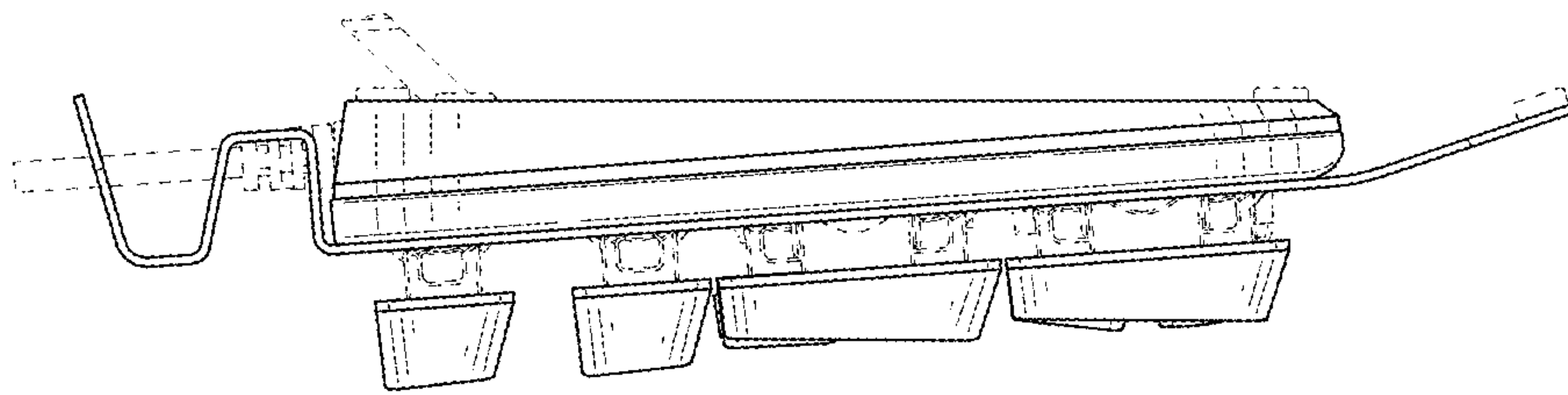


FIG. 6

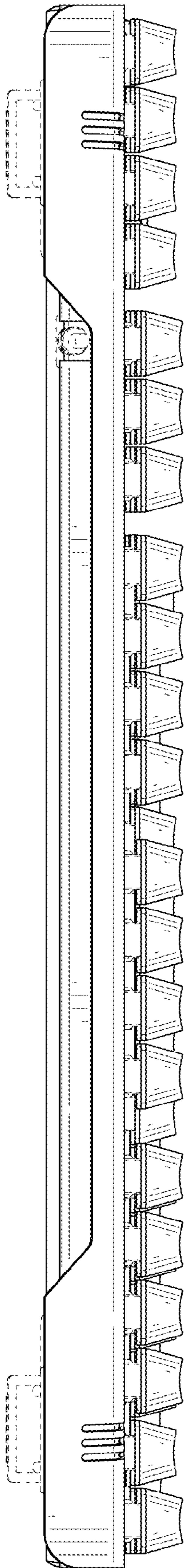


FIG. 7

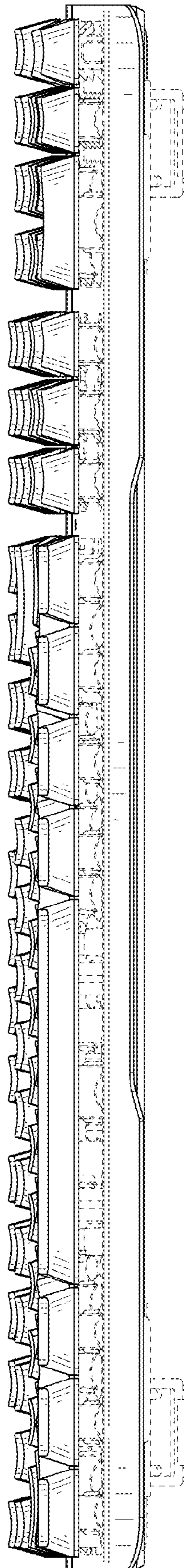


FIG. 8