



US00D893482S

(12) **United States Design Patent**
DeFazio et al.

(10) **Patent No.:** **US D893,482 S**

(45) **Date of Patent:** **** Aug. 18, 2020**

(54) **CARD READER**

(71) Applicant: **Shopify Inc.**, Ottawa (CA)

(72) Inventors: **Michael Joseph DeFazio**, Fonthill (CA); **David Gervis Waddell**, Toronto (CA); **Darrin Henein**, Toronto (CA)

(73) Assignee: **Shopify Inc.**, Ottawa (CA)

(**) Term: **15 Years**

(21) Appl. No.: **29/646,783**

(22) Filed: **May 7, 2018**

(51) **LOC (12) Cl.** **14-02**

(52) **U.S. Cl.**
USPC **D14/385**

(58) **Field of Classification Search**
USPC D18/4.4, 4.5, 4.6, 12, 12.1, 12.3;
D14/383, 384, 385, 386, 378, 420, 427,
D14/432-439, 447, 453; D13/107, 108,
D13/133, 146, 147, 152, 154, 156;
235/441, 451, 492, 380, 439, 375
CPC G06K 19/07749; G06K 19/0723; G06K
19/041; G06K 19/07758; G06K 19/0775;
G06K 19/07783; G06K 19/07794; G06K
19/06046; G06K 19/07722; G06K
19/07773; G06K 19/07779; G06K
19/07784; G06K 19/07786; G06K
19/0709

See application file for complete search history.

(56) **References Cited**

U.S. PATENT DOCUMENTS

D656,151 S * 3/2012 Maus D14/385
D682,273 S * 5/2013 Taunay da Graca Cuoto
D14/385

D751,076 S * 3/2016 Buessler D14/385
D822,021 S * 7/2018 Huff D14/385
D822,023 S * 7/2018 Huff D14/385
D861,684 S * 10/2019 Chen D14/385
D861,685 S * 10/2019 Wang D14/385

* cited by examiner

Primary Examiner — Austin Murphy

(74) *Attorney, Agent, or Firm* — GTC Law Group PC & Affiliates

(57) **CLAIM**

The ornamental design for a card reader, as shown.

DESCRIPTION

FIG. 1 is a right, front, top perspective view of the reader portion and base portion according to a third embodiment of the new design;

FIG. 2 is a right, front, bottom perspective view of the reader portion and base portion according to a third embodiment of the new design;

FIG. 3 is a front view of the reader portion and base portion according to a third embodiment of the new design;

FIG. 4 is a right side view of the reader portion and base portion according to a third embodiment of the new design;

FIG. 5 is a rear plan view of the reader portion and base portion according to a third embodiment of the new design;

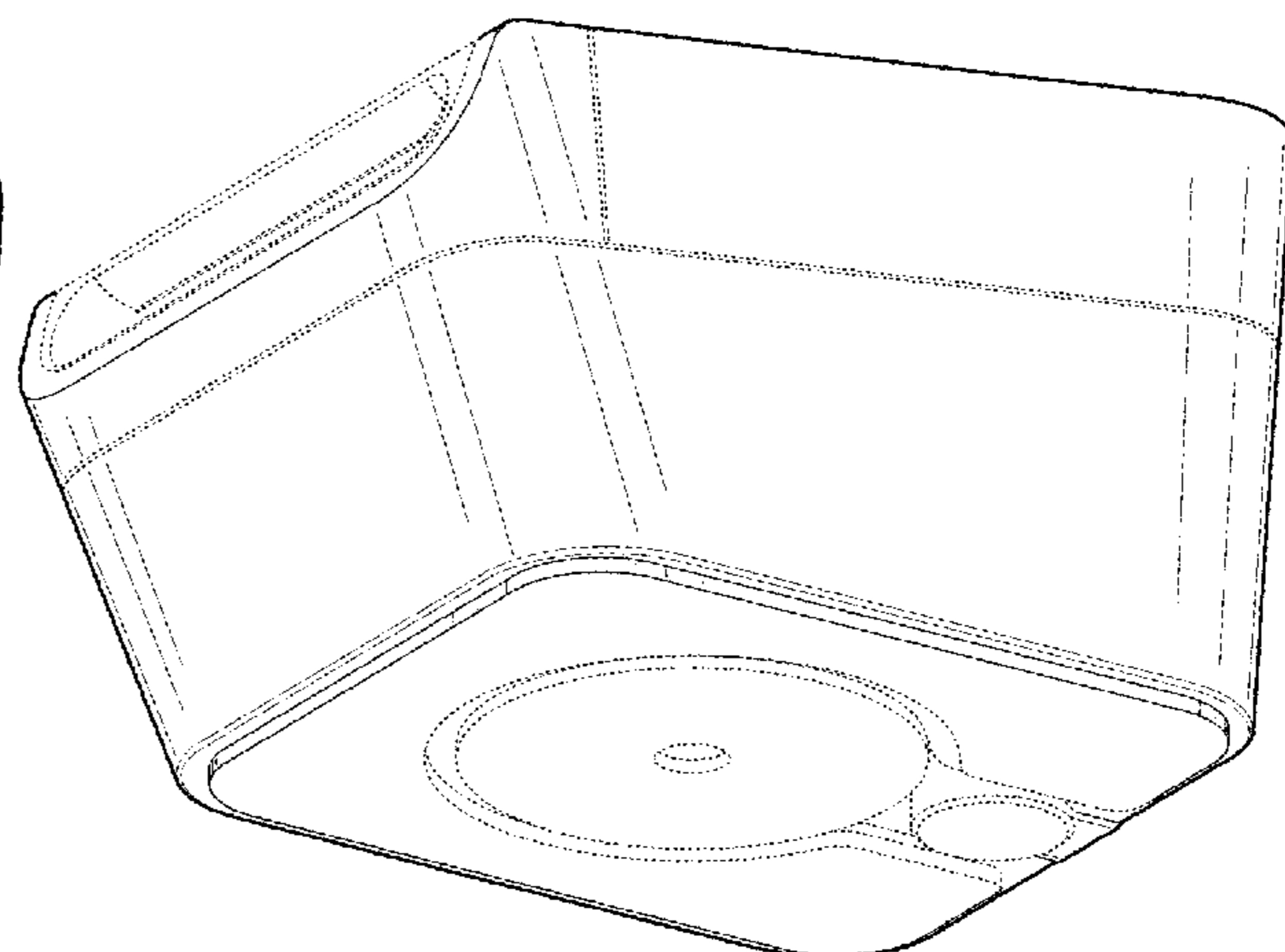
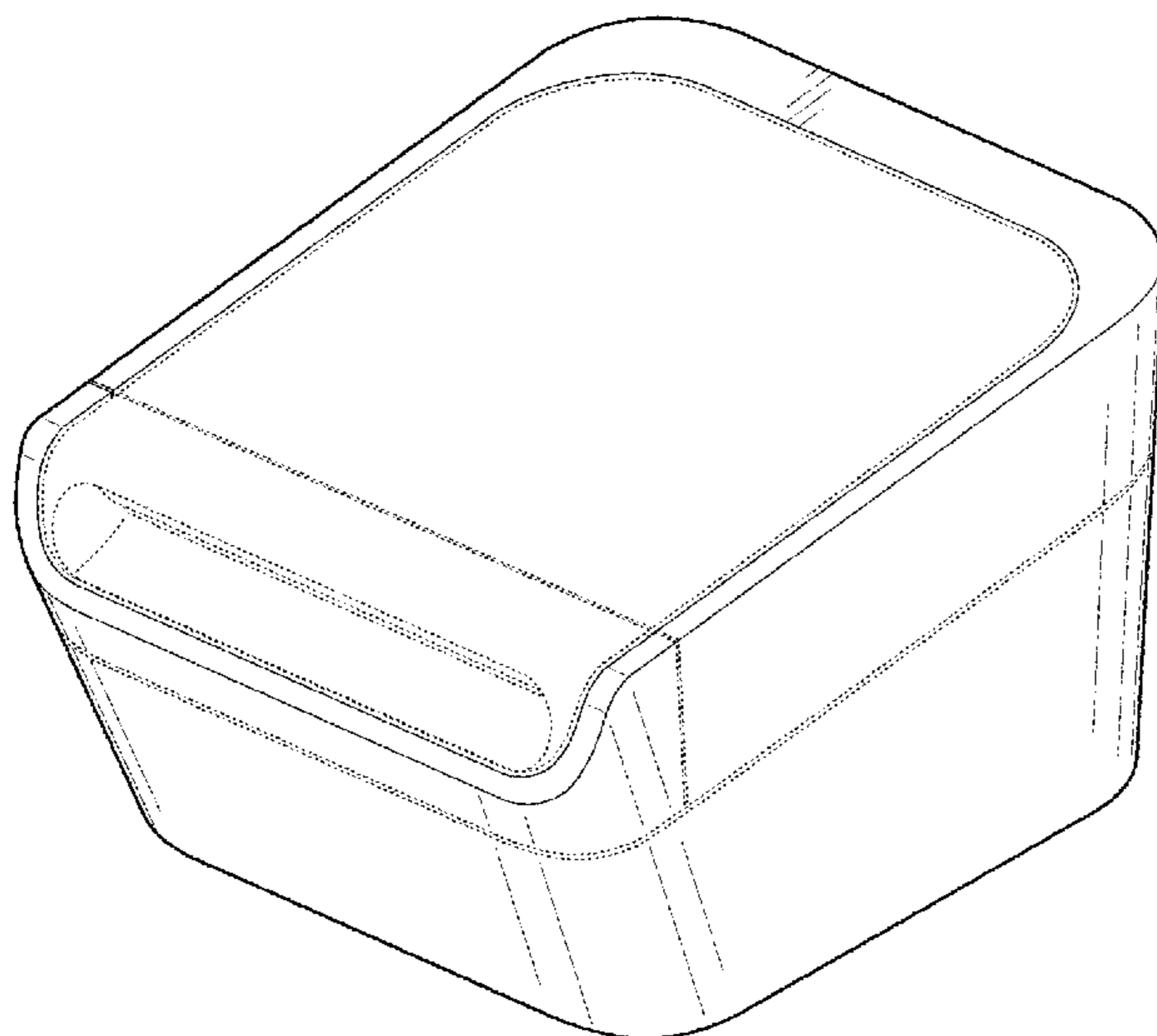
FIG. 6 is a left side plan view of the reader portion and base portion according to a third embodiment of the new design;

FIG. 7 is a top view of the base portion according to a third embodiment of the new design; and,

FIG. 8 is a bottom view of the base portion according to a third embodiment of the new design.

The broken lines in FIGS. 1-8 are for environmental purposes only and form no part of the claimed design.

1 Claim, 4 Drawing Sheets



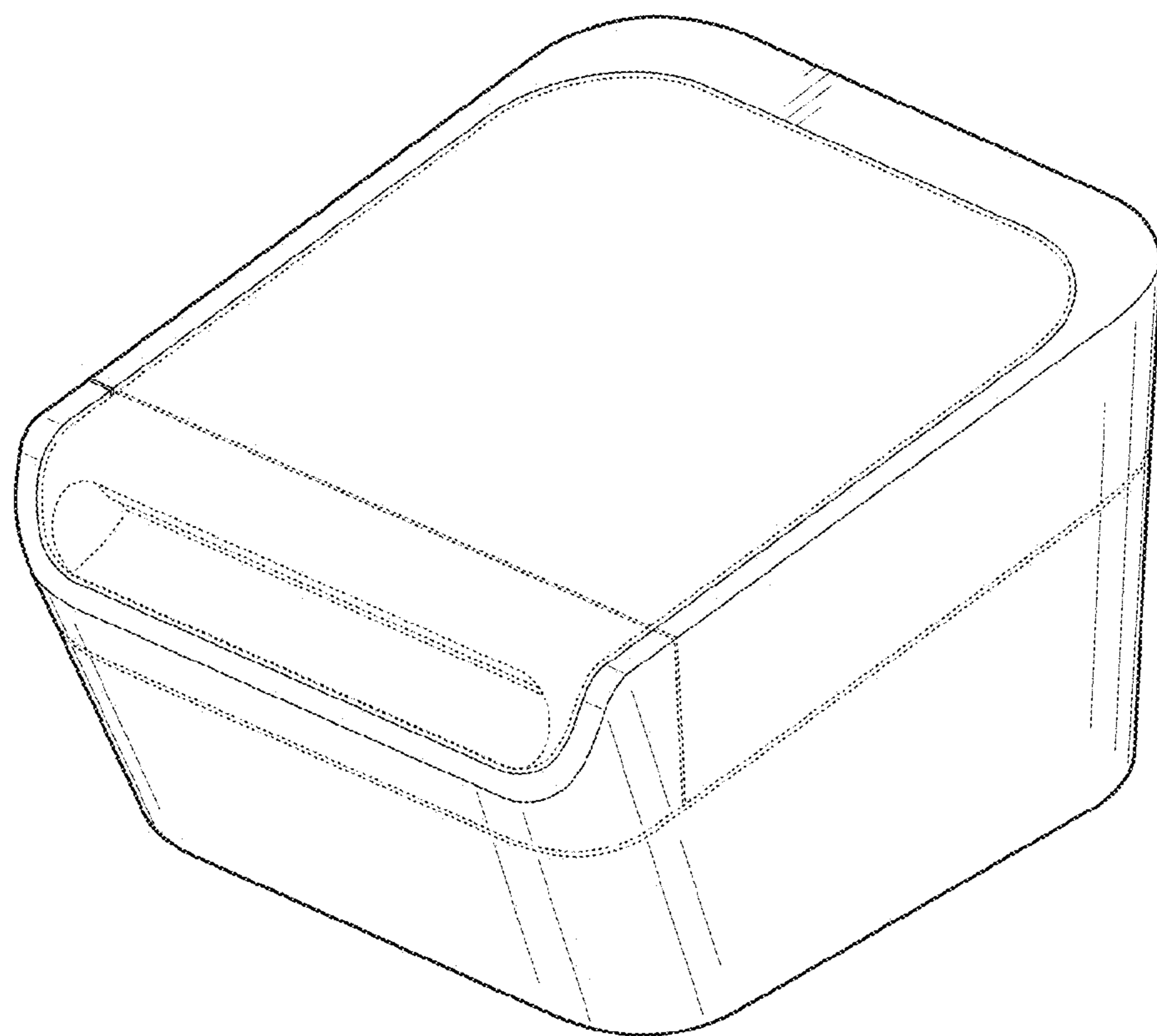


FIG. 1

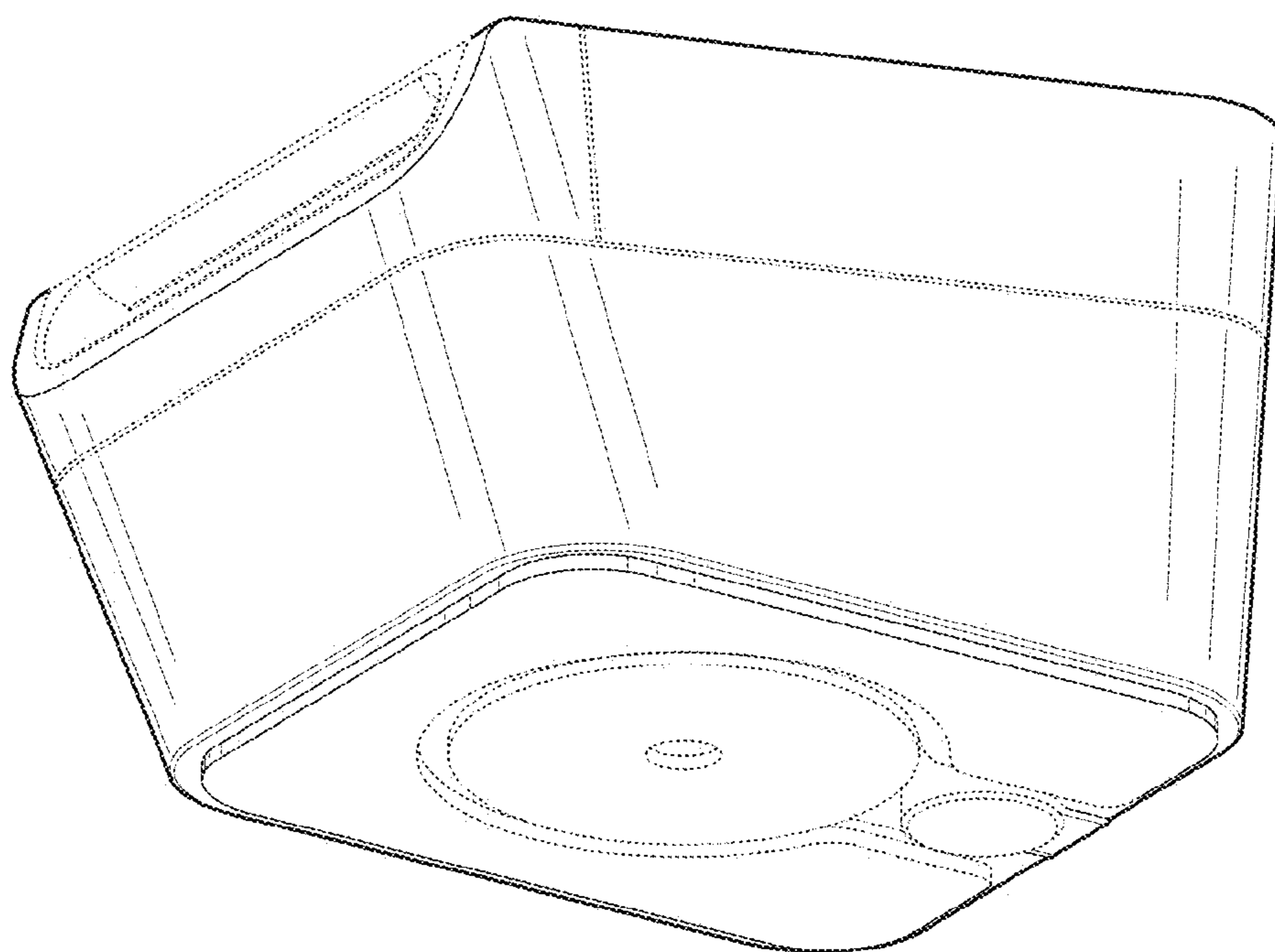


FIG. 2

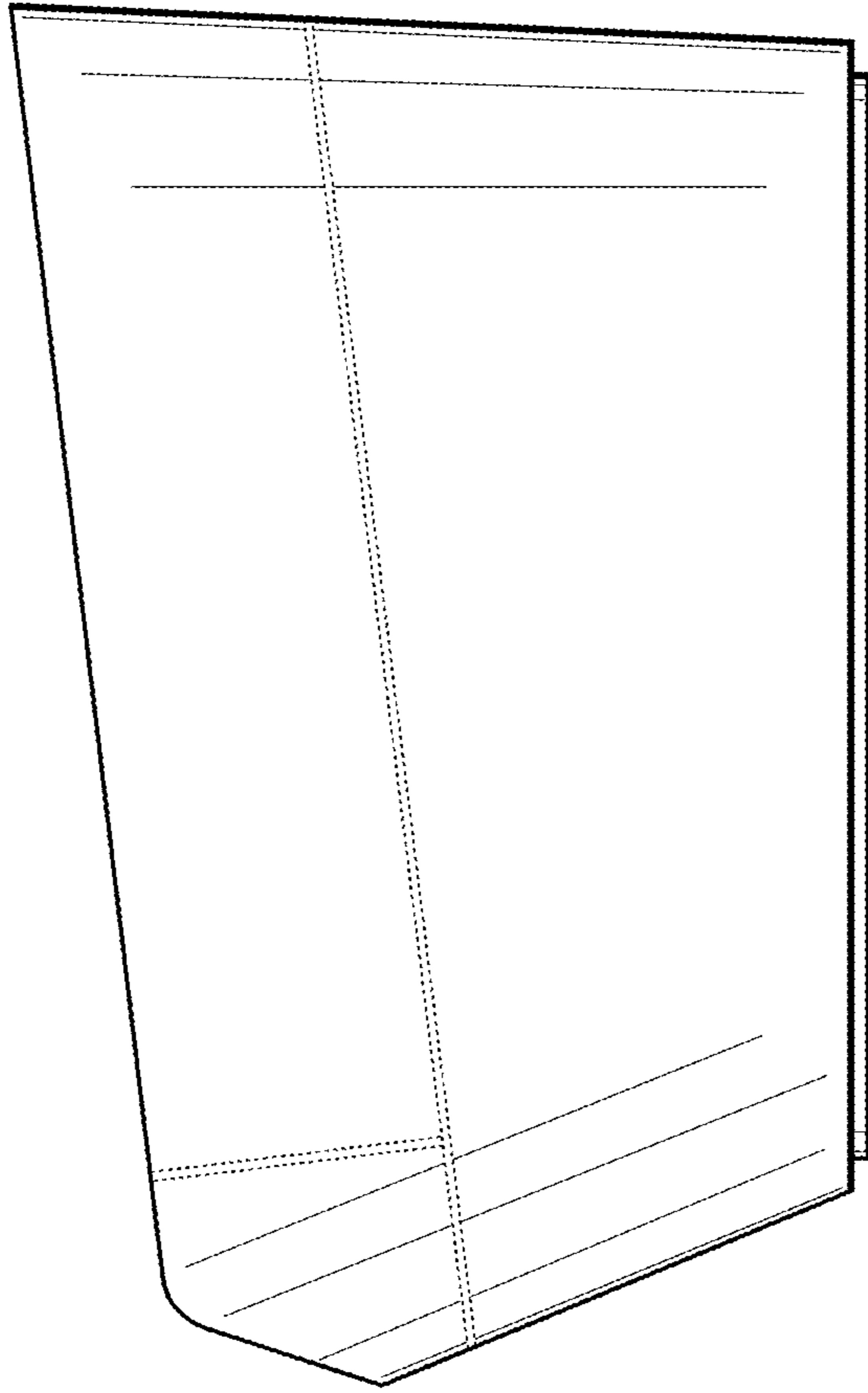


FIG. 3

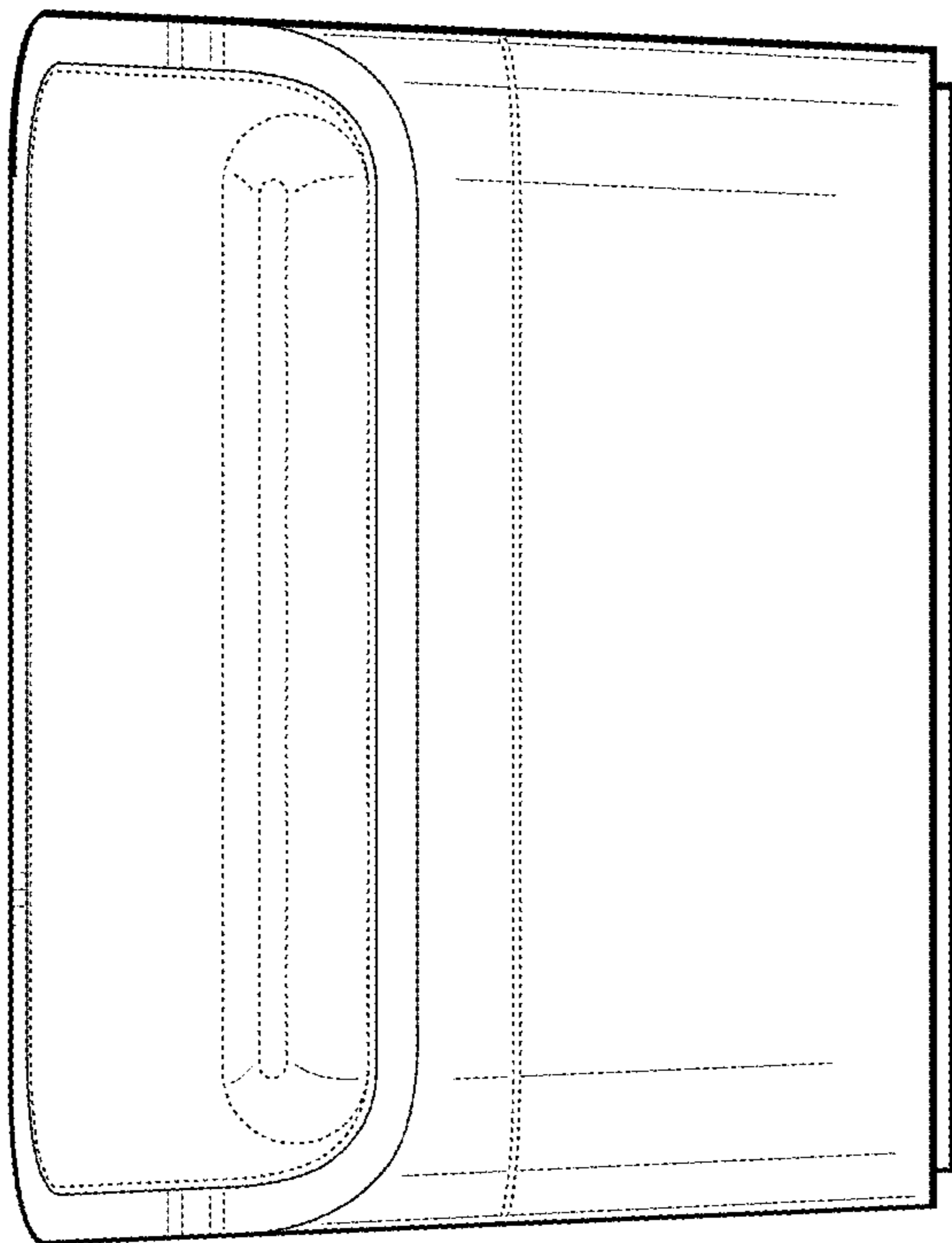


FIG. 4

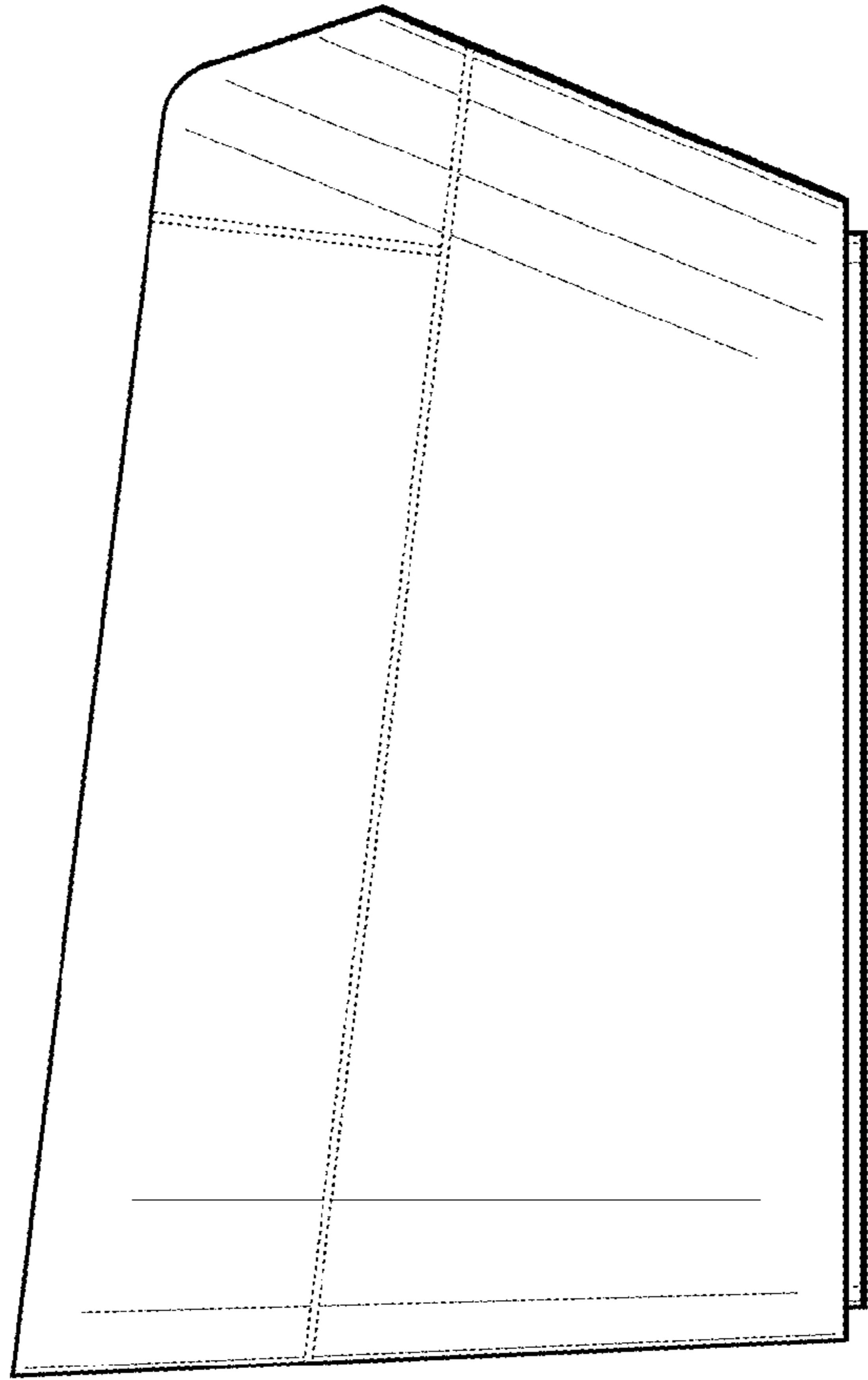


FIG. 6

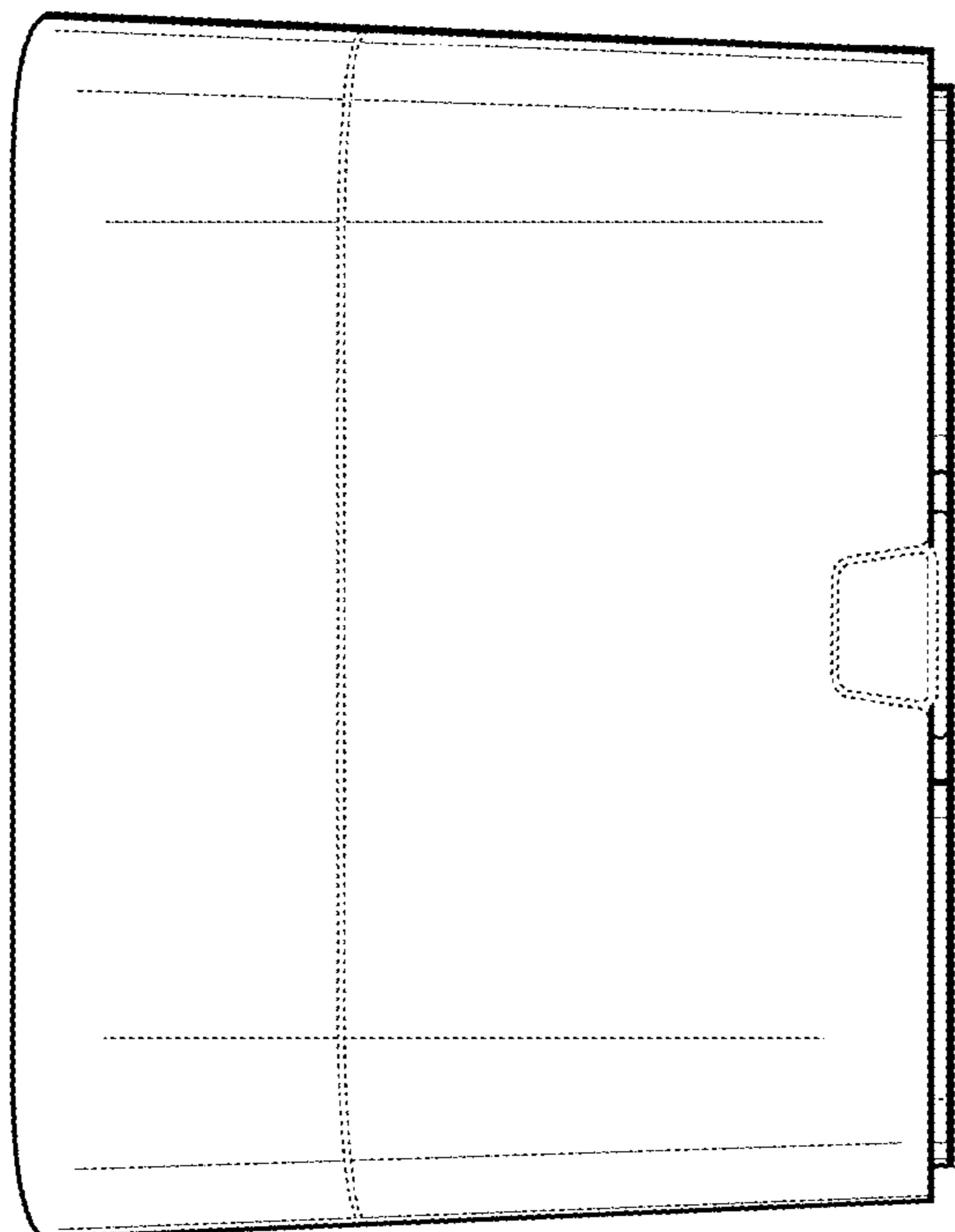


FIG. 5

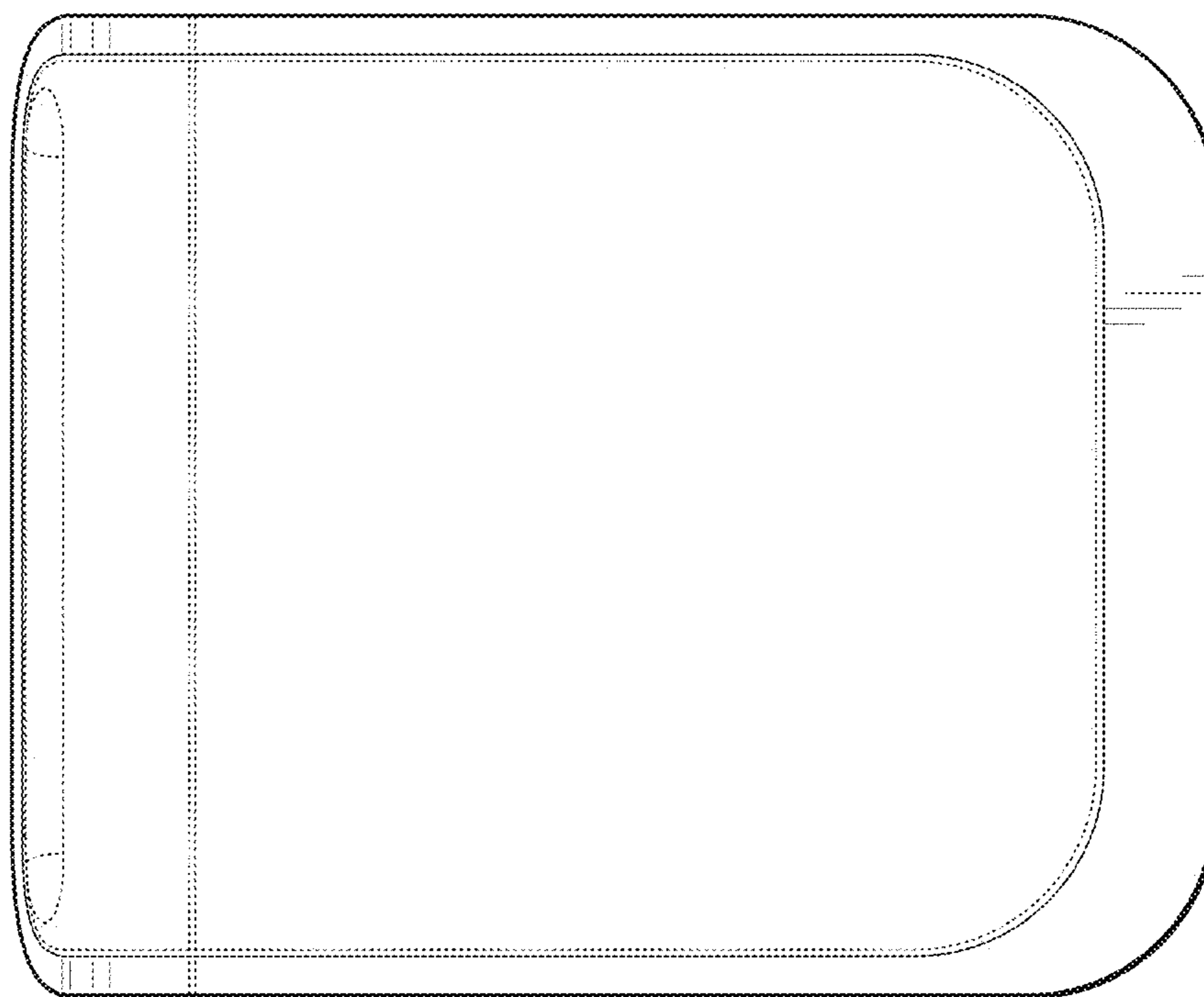


FIG. 7

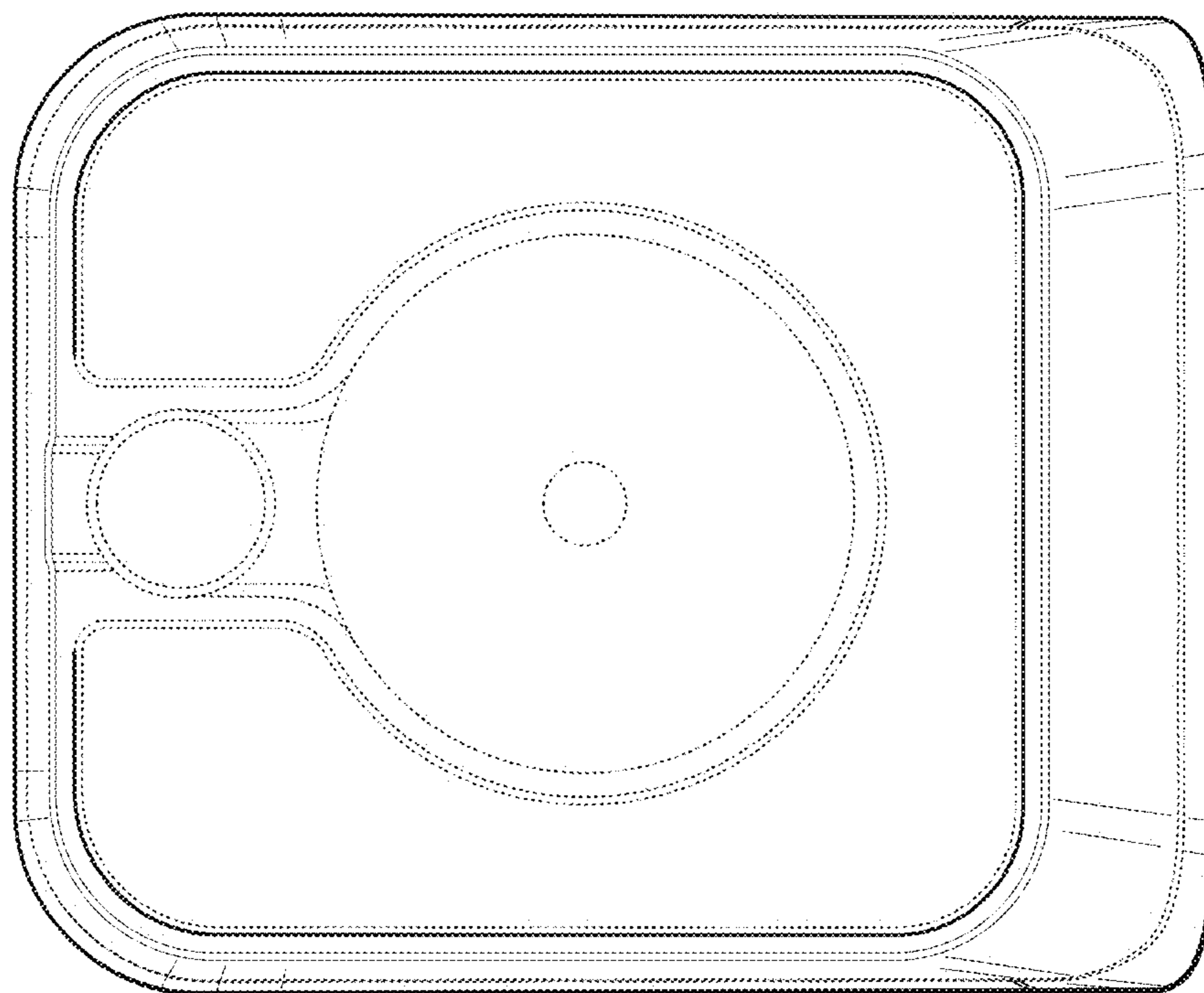


FIG. 8