



US00D893480S

(12) **United States Design Patent**  
**Kim et al.**

(10) **Patent No.:** **US D893,480 S**  
(45) **Date of Patent:** **\*\* Aug. 18, 2020**

(54) **DISPLAY DEVICE**

(71) Applicant: **SAMSUNG DISPLAY CO., LTD.**,  
Yongin-si, Gyeonggi-do (KR)

(72) Inventors: **Mu Gyeom Kim**, Hwaseong-si (KR);  
**Young-Seok Seo**, Seoul (KR)

(73) Assignee: **Samsung Display Co., Ltd.**, Yongin-si  
(KR)

(\*\*) Term: **15 Years**

(21) Appl. No.: **29/632,894**

(22) Filed: **Jan. 10, 2018**

(30) **Foreign Application Priority Data**

Jul. 14, 2017 (KR) ..... 30-2017-0032663

(51) **LOC (12) Cl.** ..... **14-02**

(52) **U.S. Cl.**  
USPC ..... **D14/375**

(58) **Field of Classification Search**  
USPC ..... D14/349, 351-355, 356-358, 359,  
D14/440-441, 444, 446, 348, 371, 363,  
(Continued)

(56) **References Cited**

**U.S. PATENT DOCUMENTS**

3,765,718 A \* 10/1973 Chen ..... A47C 4/52  
297/17  
D262,548 S \* 1/1982 Delehant ..... D21/365  
(Continued)

**FOREIGN PATENT DOCUMENTS**

KR 300586542.0000 \* 1/2011  
KR 10-1164483 4/2012  
(Continued)

**OTHER PUBLICATIONS**

Kids Table, 2xhome, amazon.com, posted by 2xhome on Apr. 11,  
2017 © 1996-2019 Amazon.com, online, site visited Sep. 6, 2019.

Available from Internet, URL: <https://www.amazon.com/2xhome-Adjustable-Rectangle-Furniture-Preschool/dp/B06Y6KX7F2> (Year: 2017).\*

(Continued)

*Primary Examiner* — Marissa J Cash  
*Assistant Examiner* — Altaira J Swangin

(74) *Attorney, Agent, or Firm* — Lewis Roca Rothgerber  
Christie LLP

(57) **CLAIM**

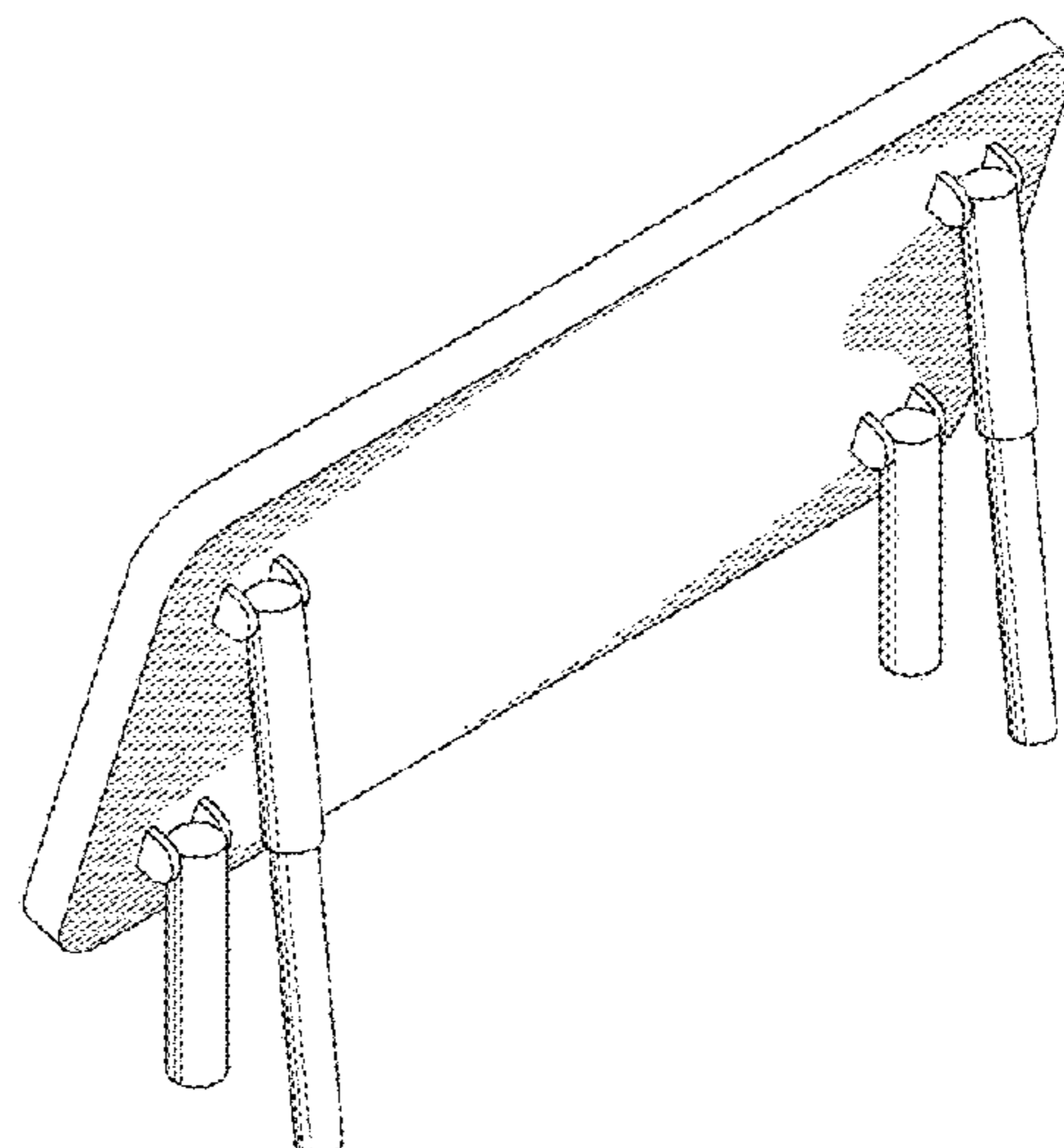
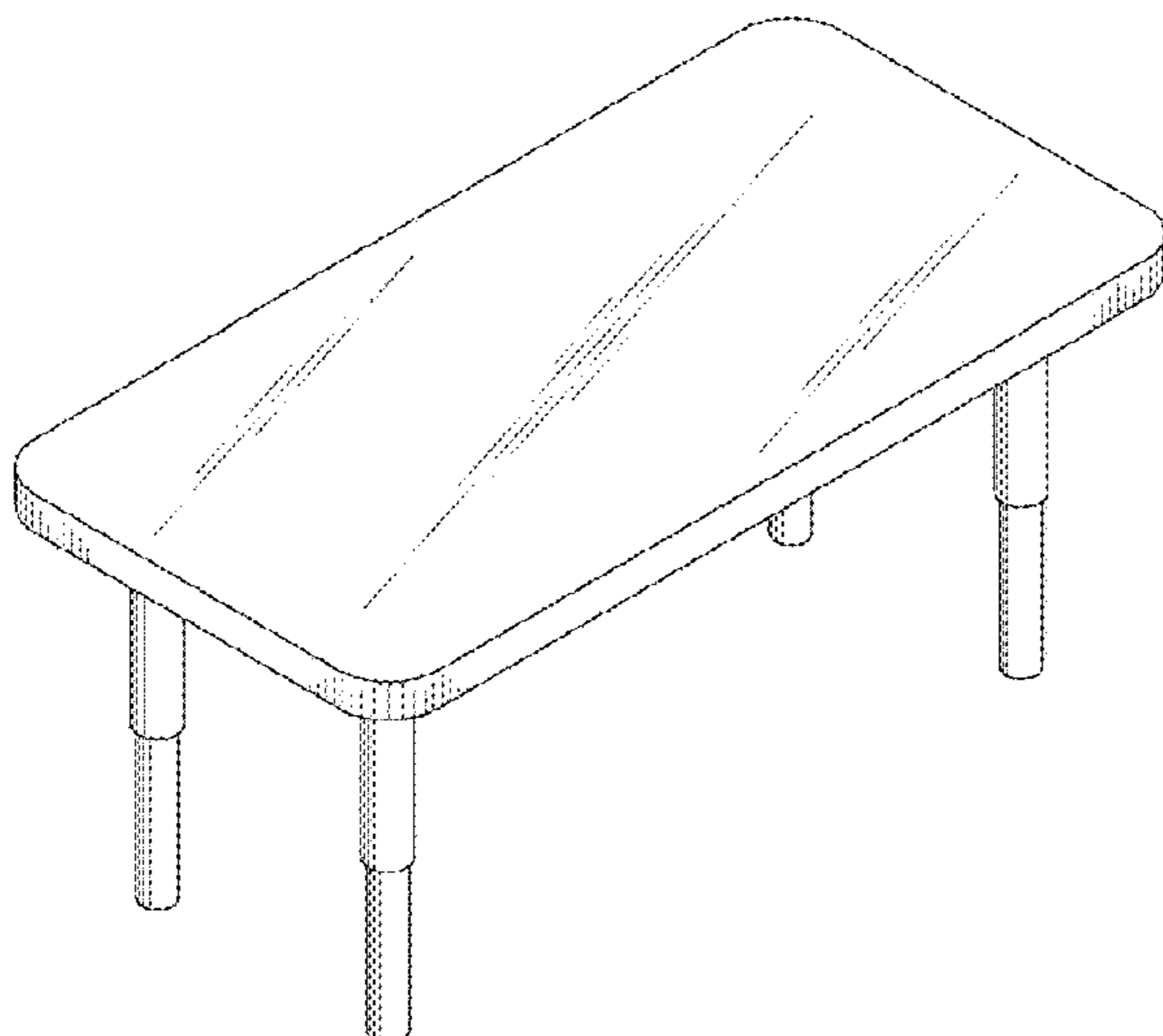
The ornamental design for a display device, as shown and described.

**DESCRIPTION**

FIG. 1 is a top, front left perspective view of the display device;  
FIG. 2 is a front view thereof, with the rear view being a mirror image of the front view;  
FIG. 3 is a left side view thereof, with the right side view being a mirror image of the left side view;  
FIG. 4 is a top view thereof;  
FIG. 5 is a bottom view thereof;  
FIG. 6 is a top, front left perspective view of the display device, showing the design in a second alternate configuration with all four pedestals in a shortened state;  
FIG. 7 is a top, front right perspective view of the display device, showing the design in a third alternate configuration with two pedestals in a shortened state and two pedestals in an extended state; and,  
FIG. 8 is a rear, bottom perspective view of the display device, showing the design in the third alternate configuration of FIG. 7.

The broken lines shown in FIG. 7 depicting images on the top surface of the display device are for purposes of illustrating environmental subject matter only and form no part of the claimed design.

**1 Claim, 8 Drawing Sheets**



(58) **Field of Classification Search**

USPC ..... D14/442, 478, 434–436, 375, 508, 114,  
 D14/138 G, 140.5, 211, 227, 229, 230,  
 D14/238, 251, 260.1, 324; D9/424–433;  
 206/706–709, 722–725; D3/315–316;  
 361/679.31; D13/107; 40/406, 427;  
 D20/39, 41–42, 23, 27, 29; D24/137,  
 D24/138, 160, 186; D10/6, 33, 54,  
 D10/106.4, 119.4, 652, 667;  
 D19/113–114; D21/334, 365; 345/173;  
 248/177.1, 178.1, 181.2, 188.5, 157  
 CPC ..... G06F 1/20; G06F 1/181; G06F 3/0488;  
 H05K 5/00; H05K 5/0213; H05K 5/03;  
 H05K 1/144; H05K 5/0017; H05K  
 5/0234; G02F 1/133611; G02F 1/133603;  
 G02F 2001/133607; G02F 2001/133613;  
 E04H 1/1272; E04H 1/1222; G09F 13/00;  
 G09F 9/00; G09F 9/3023; G09F 9/3026;  
 H04M 2250/52

See application file for complete search history.

(56) **References Cited**

U.S. PATENT DOCUMENTS

D374,870 S \* 10/1996 Gaumet ..... D14/436  
 D375,303 S \* 11/1996 Gaumet ..... D14/436  
 D402,696 S \* 12/1998 Rosen ..... D19/113  
 D442,222 S \* 5/2001 Webb ..... D14/436  
 D455,419 S \* 4/2002 Inoue ..... D14/230  
 D456,814 S \* 5/2002 Pentz ..... D14/436  
 D495,372 S \* 8/2004 Oister ..... D21/318  
 6,843,183 B2 \* 1/2005 Strong ..... A47B 9/14  
 108/147.19  
 6,969,112 B1 \* 11/2005 Sherrill ..... A47C 4/20  
 297/16.1  
 D517,536 S \* 3/2006 Wang ..... D14/230  
 D596,177 S \* 7/2009 Steele ..... D14/358  
 7,862,409 B1 \* 1/2011 Sheppard ..... A22C 17/0033  
 452/198  
 8,065,965 B2 \* 11/2011 Pearson ..... A47B 3/08  
 108/132  
 8,499,370 B1 \* 8/2013 Felicetta ..... A47K 11/04  
 4/476  
 D693,816 S \* 11/2013 Koh ..... D14/436  
 8,599,570 B2 \* 12/2013 Ke ..... F16M 13/005  
 248/371  
 D707,677 S \* 6/2014 Azuma ..... D14/307  
 D707,682 S \* 6/2014 Florek ..... D14/436  
 D712,379 S \* 9/2014 Oliveras ..... D14/217

D724,056 S \* 3/2015 Oliveras ..... D14/217  
 D724,566 S \* 3/2015 Oliveras ..... D14/217  
 D753,607 S \* 4/2016 Lee ..... D13/162  
 D769,830 S \* 10/2016 Clymer ..... D13/168  
 D770,395 S \* 11/2016 Clymer ..... D13/168  
 D787,481 S \* 5/2017 Tysso ..... D14/226  
 D809,491 S \* 2/2018 Tinaphong ..... D14/230  
 D823,287 S \* 7/2018 Yang ..... D14/238  
 D837,876 S \* 1/2019 Lyons ..... D18/4.5  
 D843,857 S \* 3/2019 Avranches ..... D10/49  
 2002/0020655 A1 \* 2/2002 McKsymick ..... A47B 21/00  
 206/738  
 2005/0053256 A1 \* 3/2005 Albert ..... H04R 5/023  
 381/388  
 2005/0218978 A1 \* 10/2005 Liu ..... H05K 5/0234  
 330/114  
 2009/0101771 A1 \* 4/2009 Tang ..... F16M 11/32  
 248/177.1  
 2010/0200710 A1 \* 8/2010 Shenouda ..... F16M 11/28  
 248/157  
 2014/0283715 A1 \* 9/2014 Sevadjan ..... A47B 9/14  
 108/147.21  
 2015/0301566 A1 \* 10/2015 Santiago ..... G06F 1/203  
 248/396  
 2015/0327739 A1 \* 11/2015 Edwards ..... A47K 17/02  
 4/254  
 2016/0256758 A1 \* 9/2016 Riniti ..... A63B 67/06  
 2017/0023292 A1 \* 1/2017 Marinelli ..... F25D 3/08  
 2017/0292549 A1 \* 10/2017 Del Missier ..... F16B 1/00  
 2018/0124230 A1 \* 5/2018 Muthukumar ..... H04M 1/0202  
 2018/0184531 A1 \* 6/2018 Seo ..... G06F 3/044  
 2019/0069429 A1 \* 2/2019 Lu ..... H05K 7/1417  
 2019/0167021 A1 \* 6/2019 Jones ..... A47G 19/26

FOREIGN PATENT DOCUMENTS

KR 10-2016-0067588 6/2016  
 KR 300898667.0000 \* 3/2017  
 KR 300907495.0000 \* 5/2017

OTHER PUBLICATIONS

Mobile Stand, Jalaka, jalaka.com, author not listed, published on Feb. 20, 2016 per wayback machine © 2019, online, site visited Sep. 6, 2019. Available from Internet, URL: <https://www.jalaka.com/products/jalaka-dual> (Year: 2016).\*

Round Legs Coffee Table, Multi Touch, multitouchdigital.com, author not listed, published on Apr. 20, 2016 per wayback machine © 2017 Multi Touch Digital, online, site visited Sep. 6, 2019. Available from Internet, URL: <https://multitouchdigital.com/multi-touch-coffee-tables/> (Year: 2016).\*

\* cited by examiner

FIG. 1

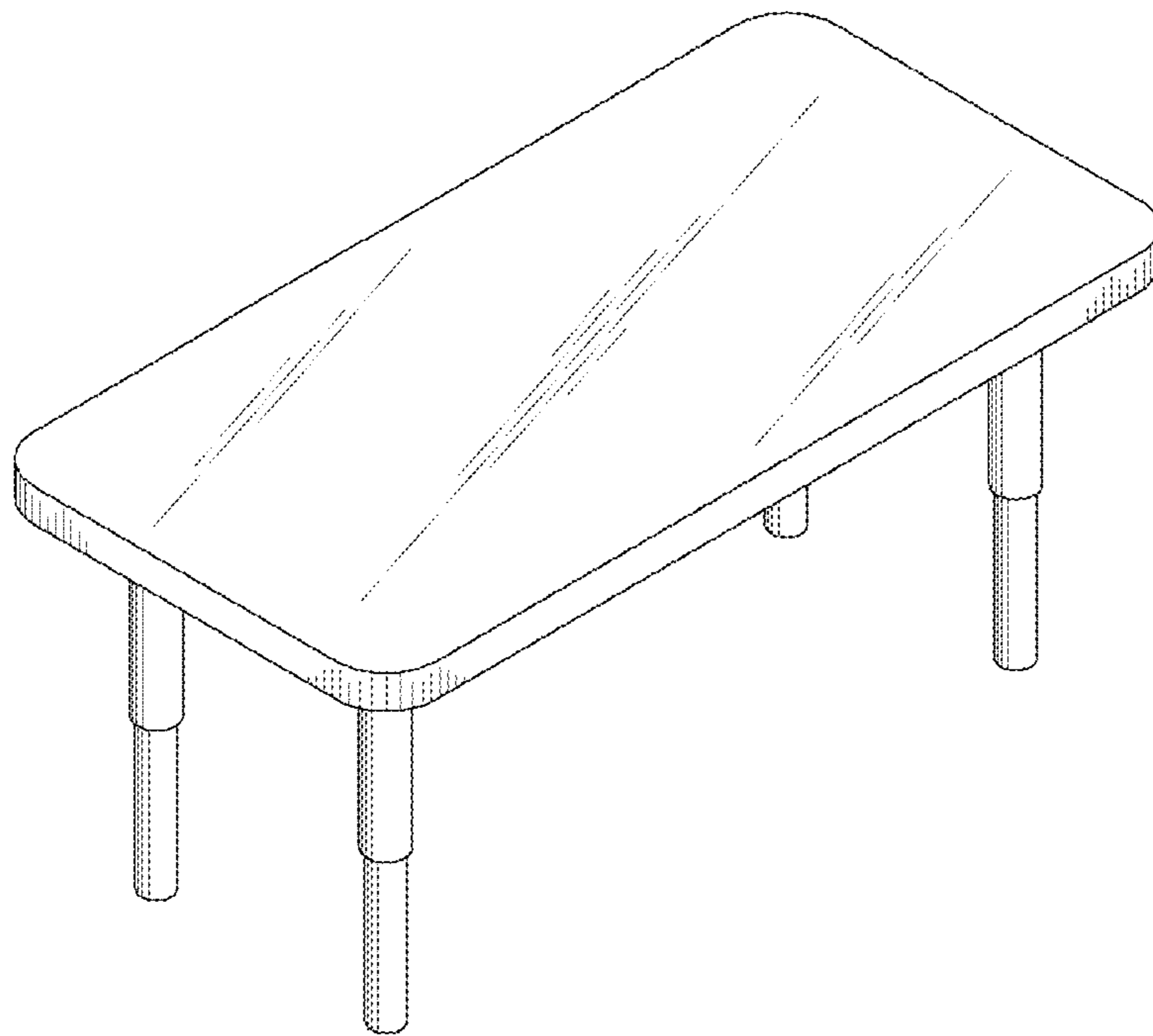


FIG. 2

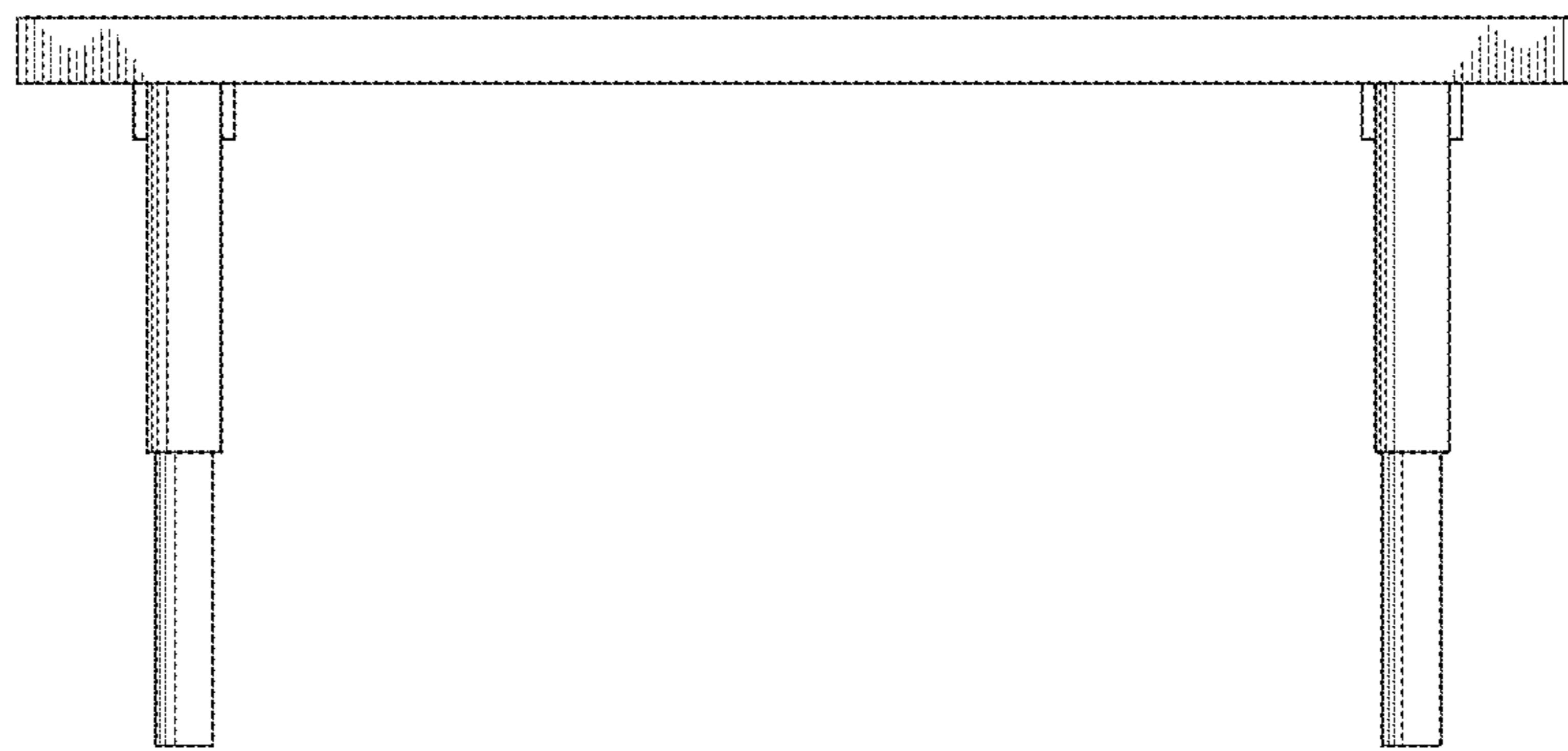


FIG. 3

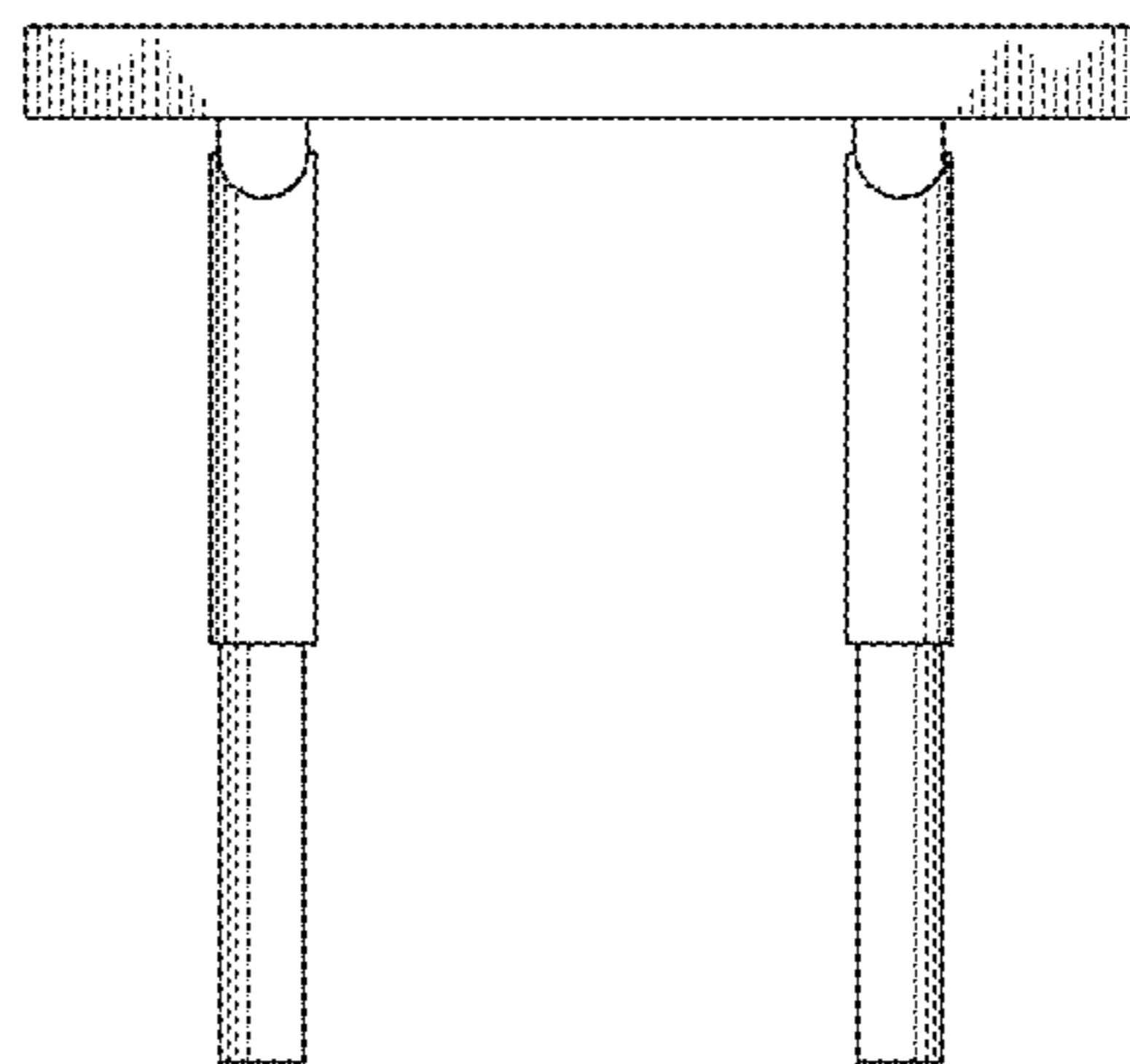


FIG. 4

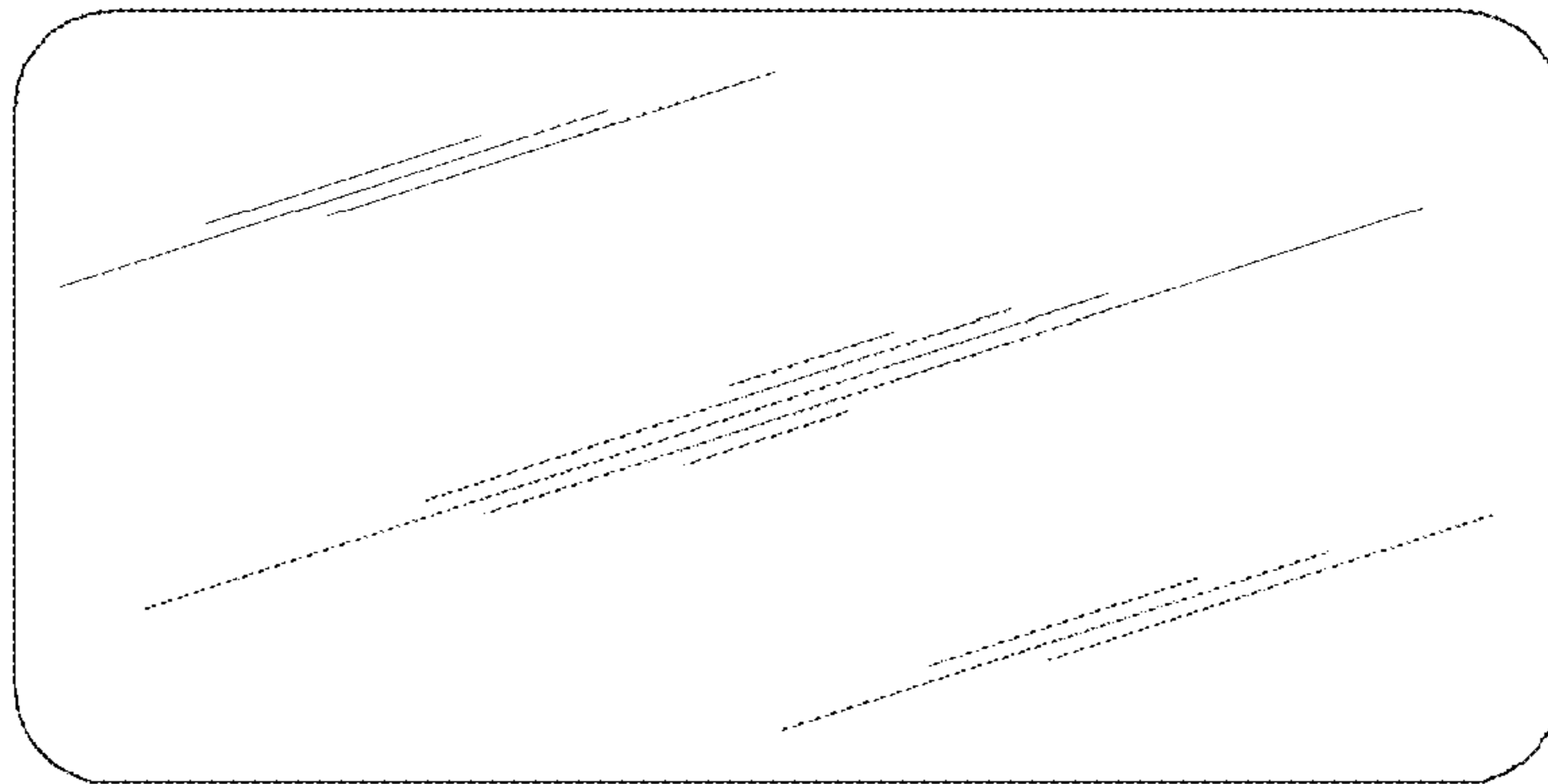


FIG. 5

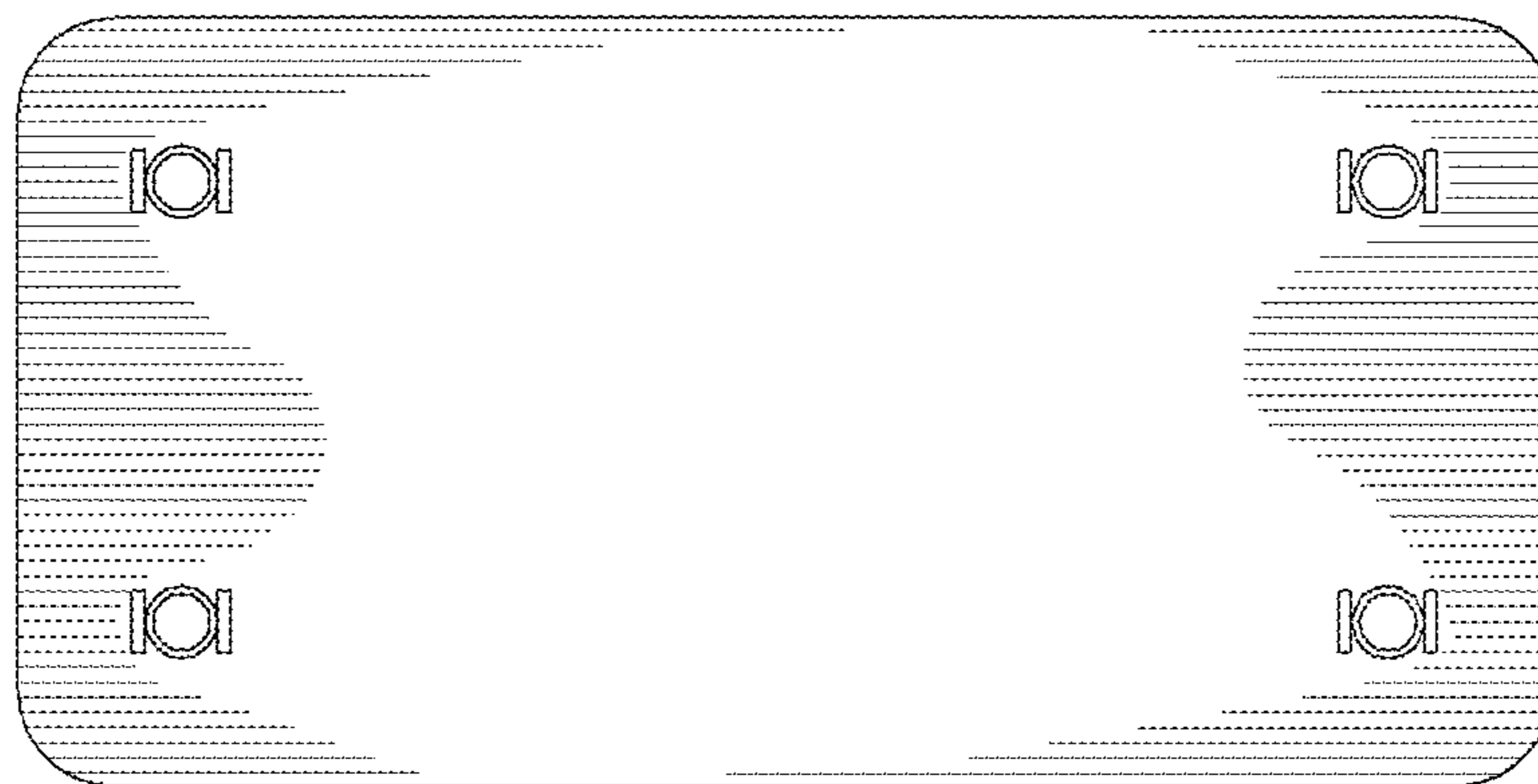


FIG. 6

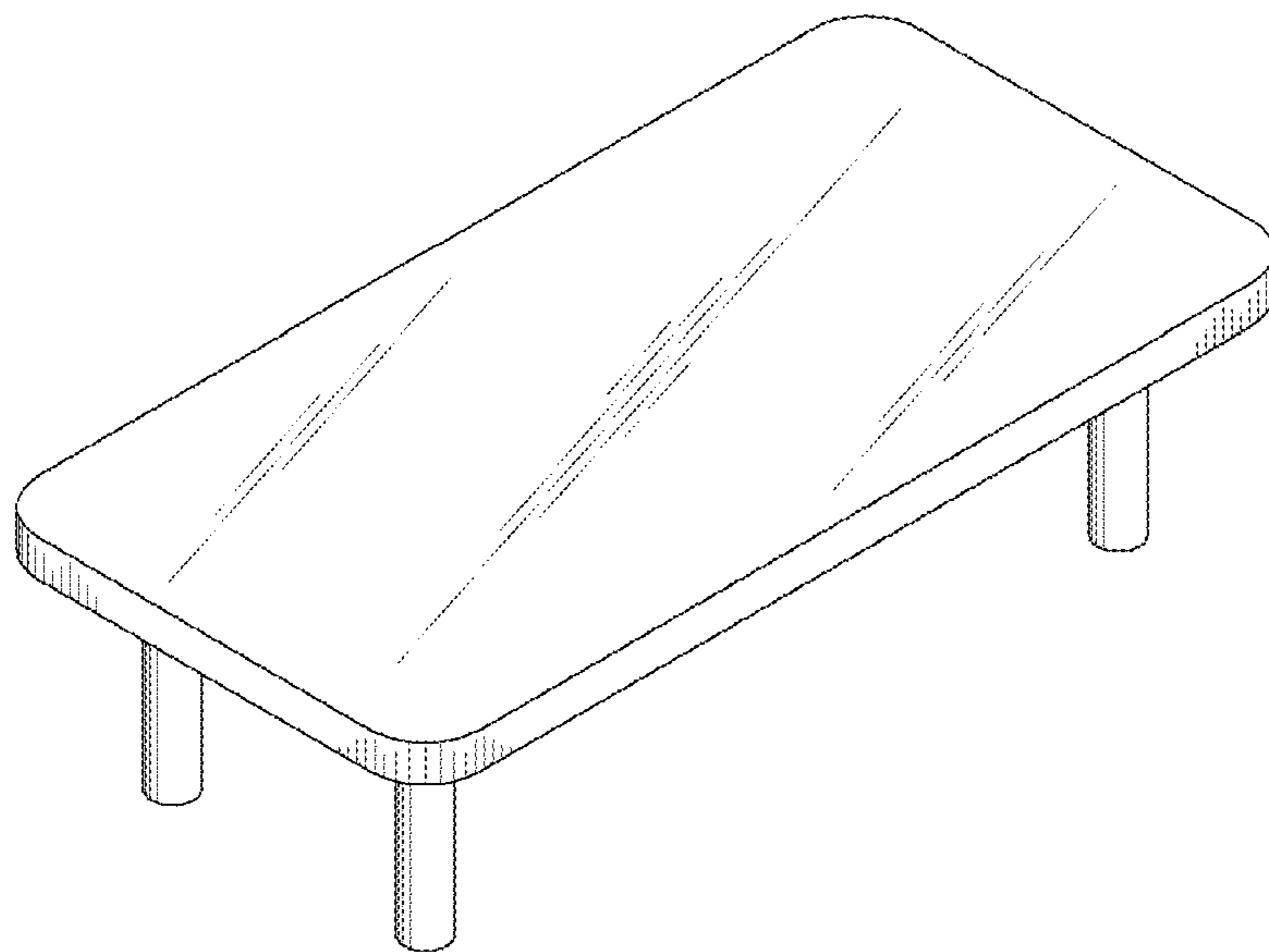




FIG. 7

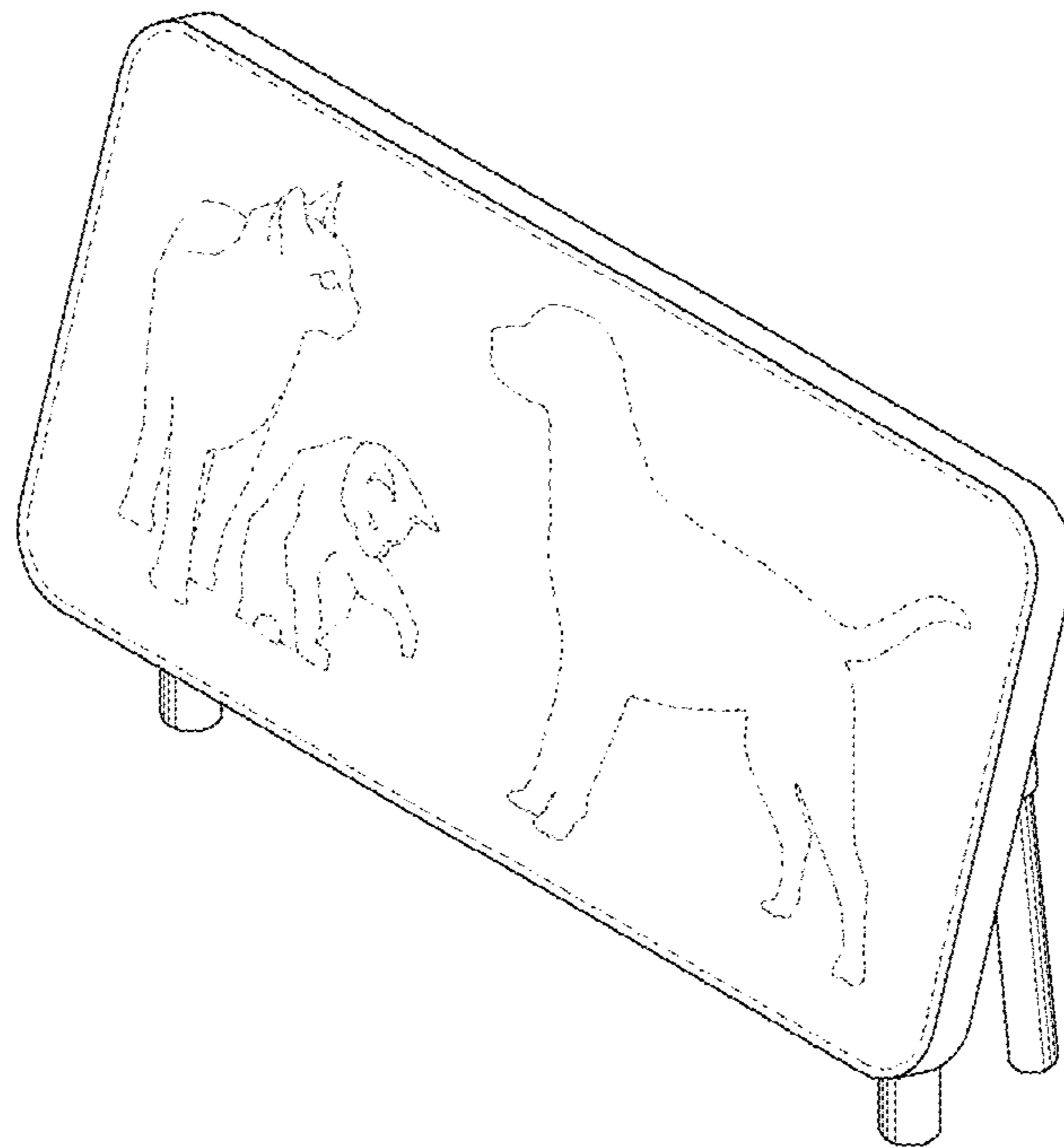


FIG. 8

