



US00D893479S

(12) **United States Design Patent**  
**Ryu et al.**

(10) **Patent No.:** **US D893,479 S**

(45) **Date of Patent:** **\*\* Aug. 18, 2020**

(54) **MONITOR FOR COMPUTER**

(71) Applicant: **LG ELECTRONICS INC.**, Seoul (KR)

(72) Inventors: **Daihyung Ryu**, Seoul (KR); **Yeonjin Kim**, Seoul (KR)

(73) Assignee: **LG ELECTRONICS INC.**, Seoul (KR)

(\*\*) Term: **15 Years**

(21) Appl. No.: **35/507,195**

(22) Filed: **Feb. 1, 2019**

(80) **Hague Agreement Data**

Int. Filing Date: **Feb. 1, 2019**

Int. Reg. No.: **DM/201399**

Int. Reg. Date: **Feb. 1, 2019**

Int. Reg. Pub. Date: **Aug. 2, 2019**

(30) **Foreign Application Priority Data**

Aug. 7, 2018 (KR) ..... 30-2018-0036620

(51) **LOC (12) Cl.** ..... **14-02**

(52) **U.S. Cl.**  
USPC ..... **D14/374**

(58) **Field of Classification Search**  
USPC ..... D14/125-134, 136, 159, 239, 336,  
D14/339-341, 371, 373-374, 375, 448,  
D14/450; D21/329, 332, 515  
CPC ..... G06F 1/16; G06F 1/1601; G06F 1/1637;  
H04N 5/64; H05K 5/0204; H05K 5/0017;  
H05K 5/0217  
See application file for complete search history.

(56) **References Cited**

**U.S. PATENT DOCUMENTS**

D529,911 S \* 10/2006 Yamashiro ..... D14/375  
D677,662 S \* 3/2013 Mochizuki ..... D14/375

D717,751 S \* 11/2014 Shin ..... D14/126  
D718,728 S \* 12/2014 Park ..... D14/126  
D723,483 S \* 3/2015 Lee ..... D14/126  
D726,666 S \* 4/2015 Hwangbo ..... D14/126  
D786,868 S \* 5/2017 Kim ..... D14/374  
D817,901 S \* 5/2018 Lee ..... D14/126  
D819,028 S \* 5/2018 Seo ..... D14/374

(Continued)

**FOREIGN PATENT DOCUMENTS**

JP D1628365 \* 4/2019  
JP D632148 \* 5/2019

(Continued)

**OTHER PUBLICATIONS**

UltraGear™ Gaming Monitors, announced 2019 [online], [retrieved May 29, 2020]. Available from Internet, URL: <<https://www.lg.com/us/business/ultragear-gaming-monitors>> (Year: 2019).\*

(Continued)

*Primary Examiner* — T Chase Nelson  
*Assistant Examiner* — Dana K Weiland

(74) *Attorney, Agent, or Firm* — Birch, Stewart, Kolasch & Birch, LLP

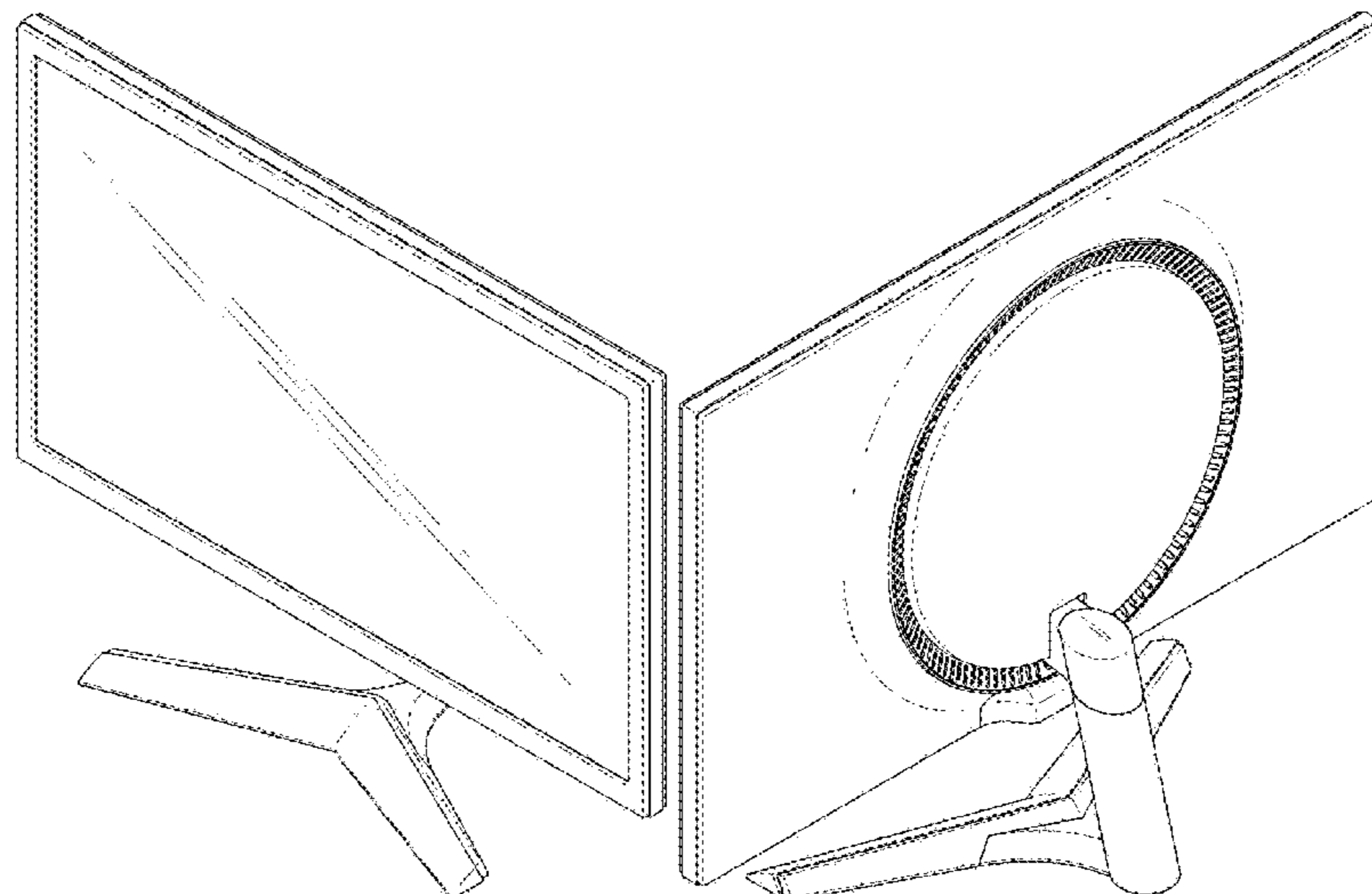
(57) **CLAIM**

The ornamental design for a monitor for computer, as shown and described.

**DESCRIPTION**

- 1. Monitor for computer
- 1.1 : Perspective
- 1.2 : Rear perspective
- 1.3 : Front
- 1.4 : Back
- 1.5 : Left
- 1.6 : Right
- 1.7 : Top
- 1.8 : Bottom

**1 Claim, 8 Drawing Sheets**



(56)

**References Cited**

U.S. PATENT DOCUMENTS

D827,644 S \* 9/2018 Kim ..... D14/377  
D828,837 S \* 9/2018 Kim ..... D14/374  
D836,583 S \* 12/2018 Cha ..... D14/126  
D850,441 S \* 6/2019 Lee ..... D14/336  
D854,540 S \* 7/2019 Kim ..... D14/336  
D858,472 S \* 9/2019 Lee ..... D14/126  
D858,473 S \* 9/2019 Lee ..... D14/126  
D859,337 S \* 9/2019 Lee ..... D14/126  
D869,414 S \* 12/2019 Kim ..... D14/126  
D869,415 S \* 12/2019 Jang ..... D14/126  
D872,085 S \* 1/2020 Lee ..... D14/374  
D872,702 S \* 1/2020 Jang ..... D14/126

FOREIGN PATENT DOCUMENTS

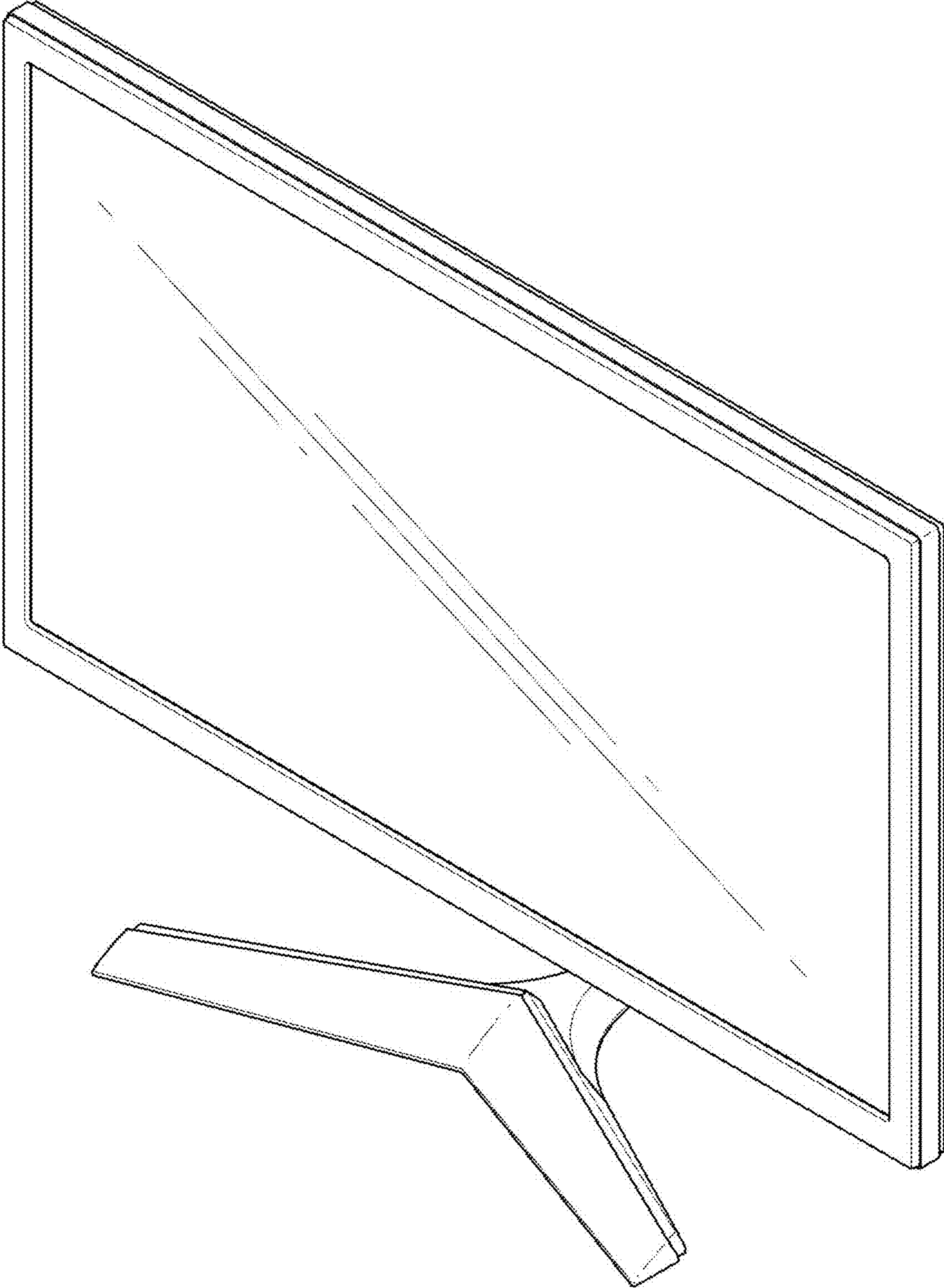
WO D200493-002 \* 8/2019  
WO D200493-003 \* 8/2019  
WO D200859-001 \* 8/2019  
WO D201399-001 \* 8/2019

OTHER PUBLICATIONS

LG 24LG 24" 1920x1080 Gaming Monitor, 24GL65B-B, date first available: Jun. 10, 2019 [online], [retrieved May 29, 2020]. Available from Internet, URL: <<https://www.amazon.com/LG-1920x1080-Gaming-Monitor-24GL65B-B/dp/B07SXXSQ1X?th=1>> (Year: 2019).\*

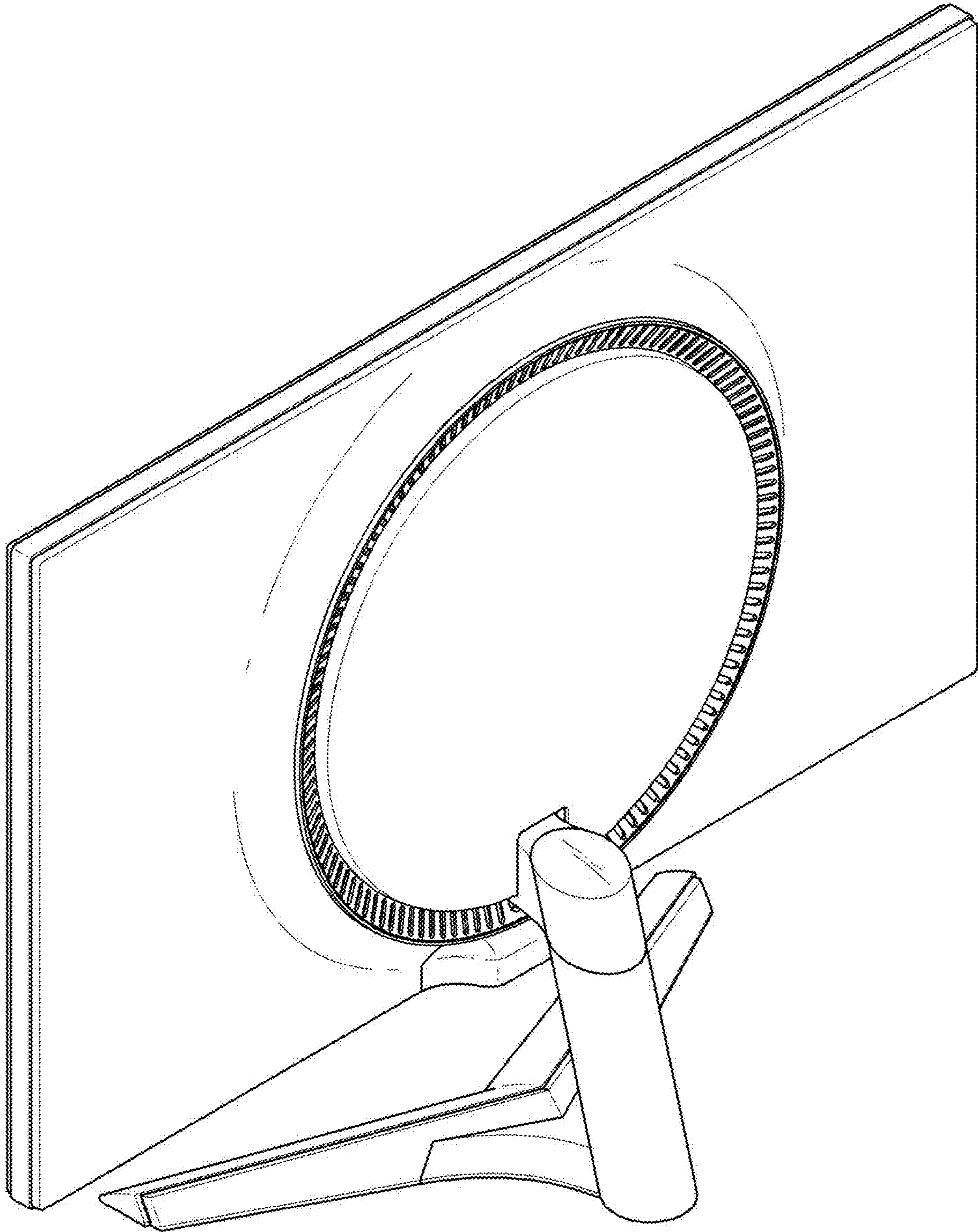
\* cited by examiner

1.1

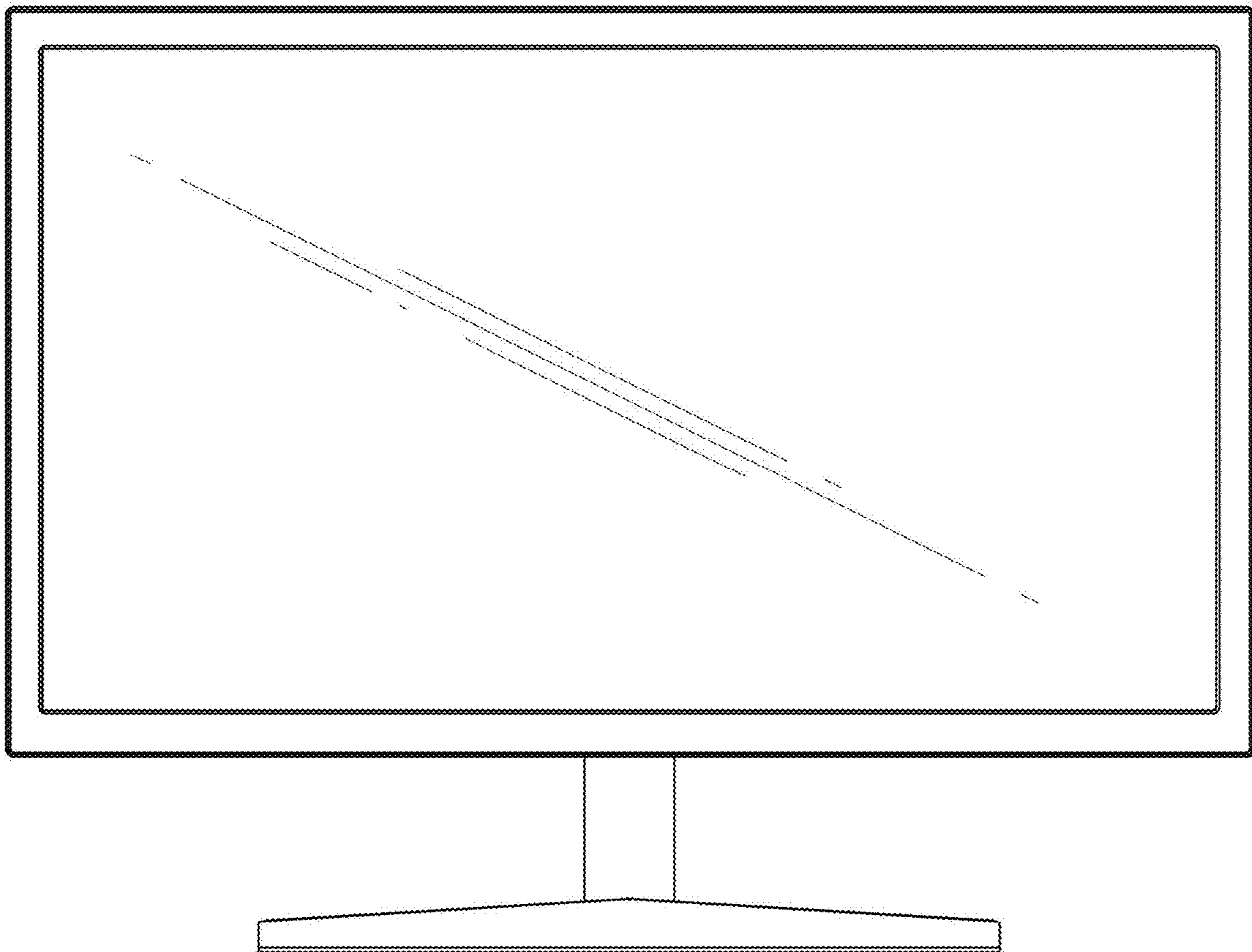




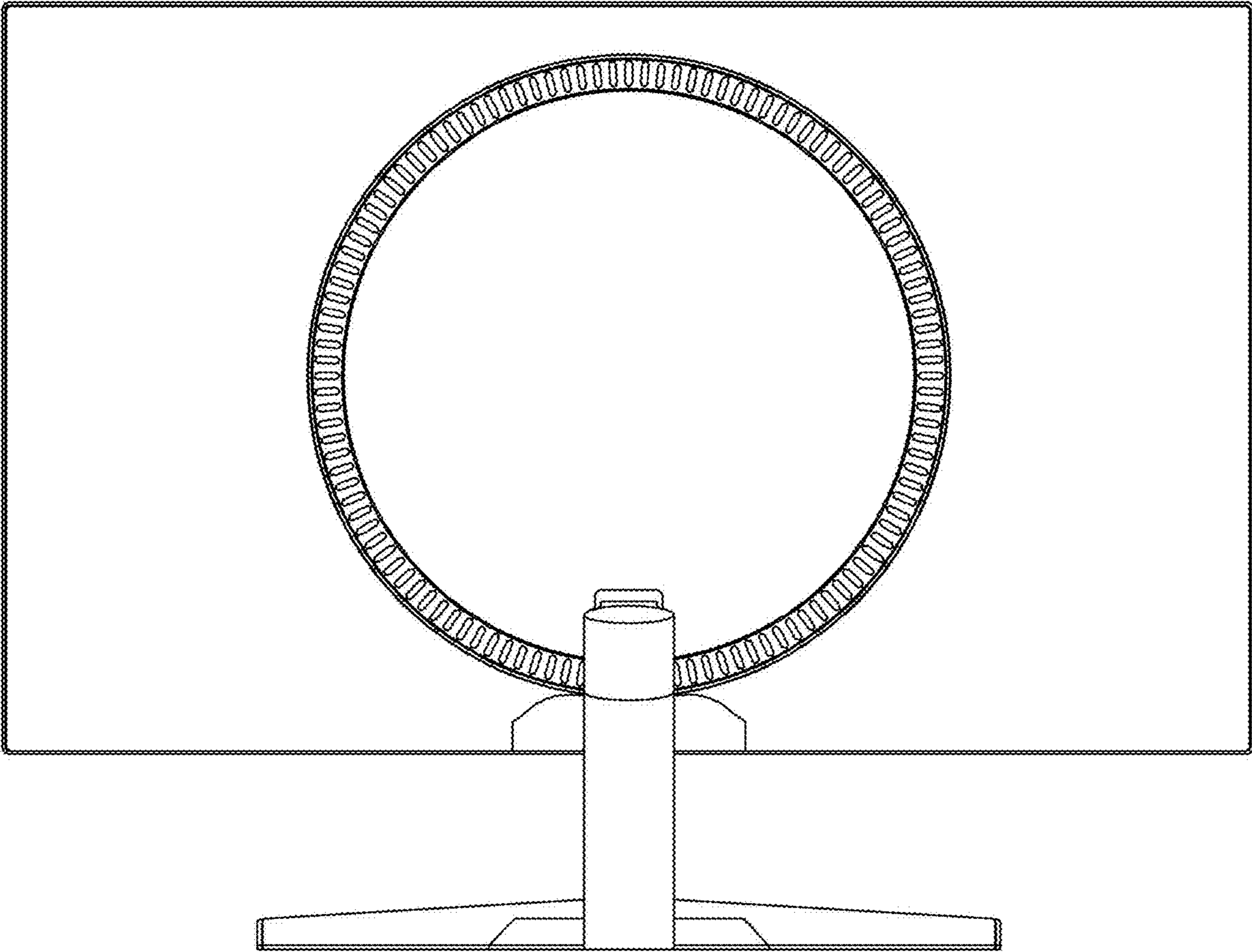
1.2



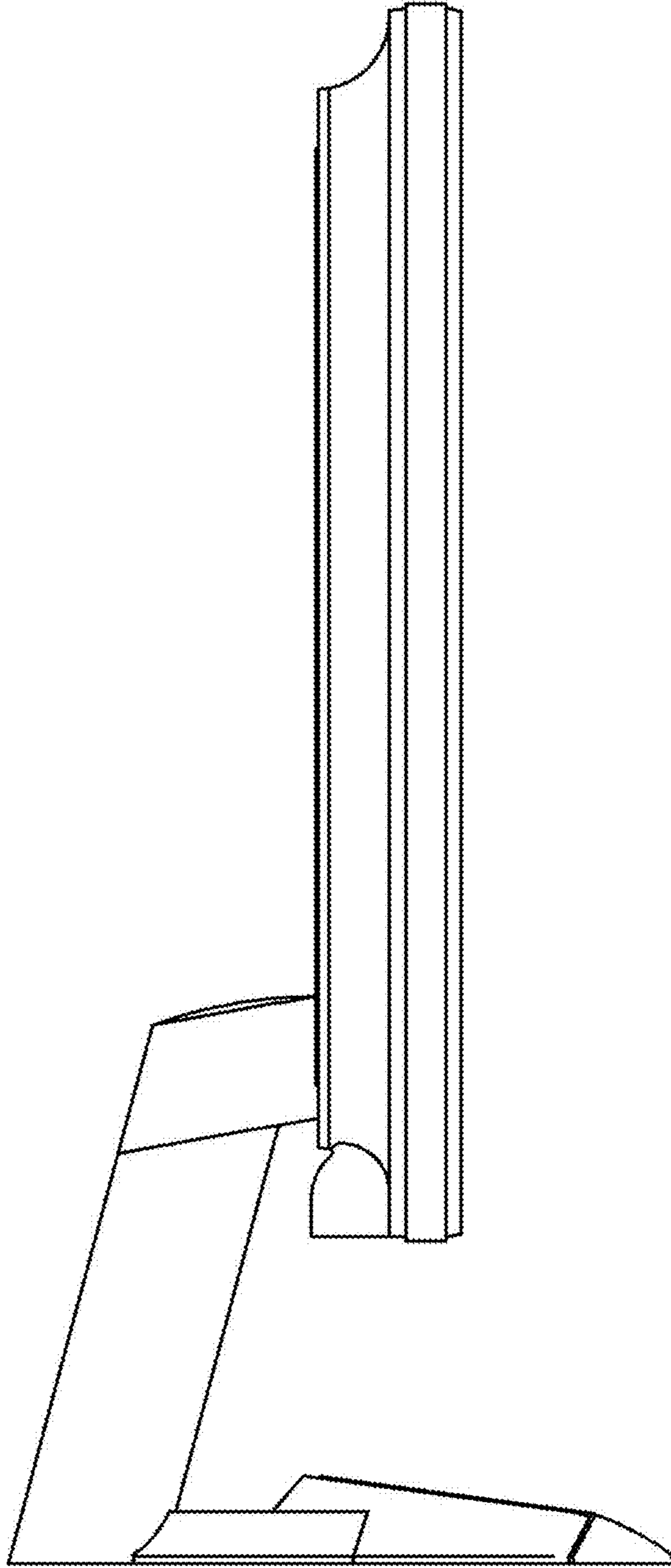
1.3



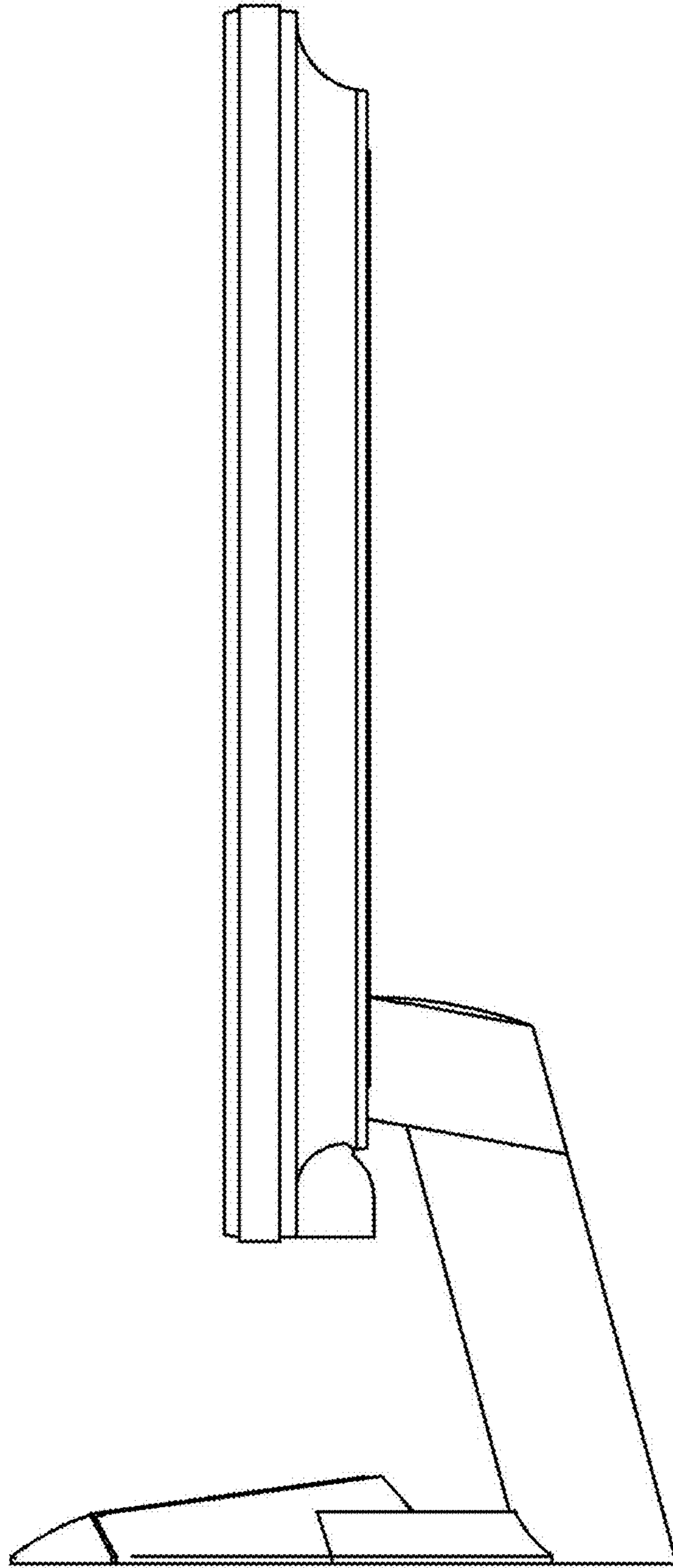
1.4



1.5

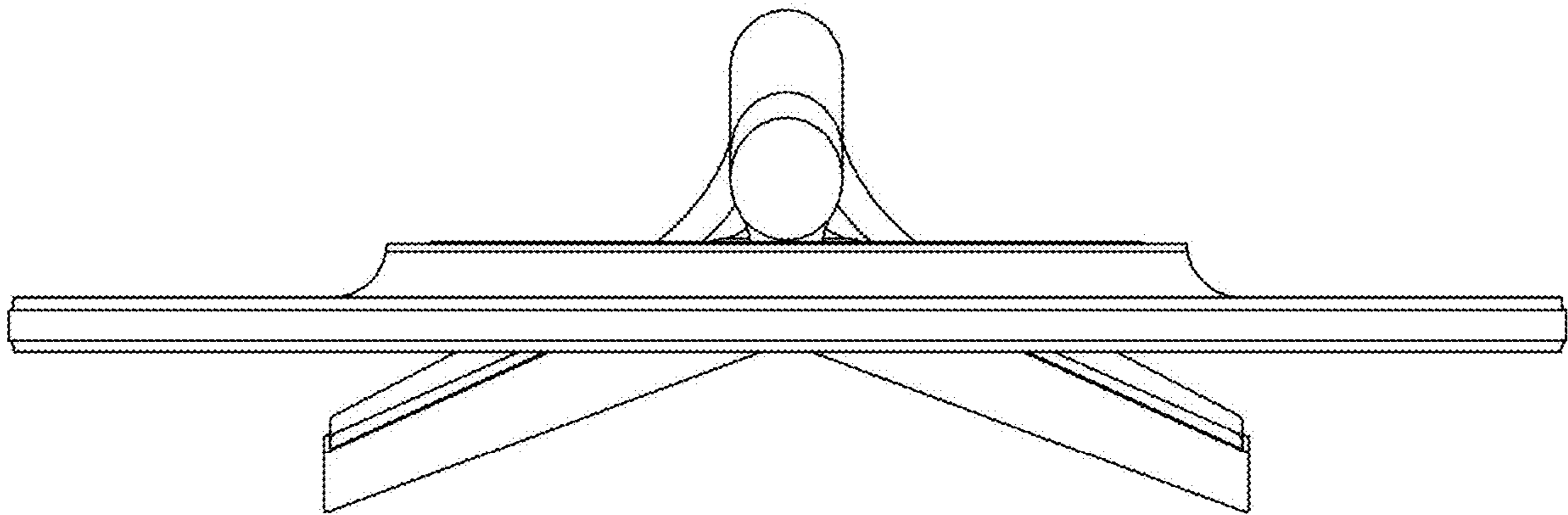


1.6





1.7



1.8

