

US00D893478S

(12) **United States Design Patent** (10) **Patent No.:** **US D893,478 S**  
**Watanabe et al.** (45) **Date of Patent:** **\*\* Aug. 18, 2020**

(54) **HEAD-MOUNTED DISPLAY**  
(71) Applicant: **FUJITSU LIMITED**, Kanagawa-Ken (JP)  
(72) Inventors: **Takashi Watanabe**, Tokyo (JP); **Masato Hoshi**, Kawasaki (JP)  
(73) Assignee: **FUJITSU LIMITED**, Kawasaki (JP)  
(\*\*) Term: **15 Years**

D805,515 S \* 12/2017 Bowes ..... D14/372  
D807,356 S \* 1/2018 Chou ..... D14/372  
D810,081 S \* 2/2018 Lin ..... D14/372  
D810,743 S \* 2/2018 Yee ..... D14/372  
D815,637 S \* 4/2018 Li ..... D14/372  
D819,635 S \* 6/2018 Miller ..... D14/372  
D823,855 S \* 7/2018 Robertson ..... D14/372  
10,085,004 B2 \* 9/2018 Tempel ..... G06T 19/006  
D834,019 S \* 11/2018 Dallmeyer ..... D14/372  
D836,628 S \* 12/2018 Chen ..... D14/372  
(Continued)

(21) Appl. No.: **35/505,652**  
(22) Filed: **Mar. 19, 2018**

(80) **Hague Agreement Data**  
Int. Filing Date: **Mar. 19, 2018**  
Int. Reg. No.: **DM/101489**  
Int. Reg. Date: **Mar. 19, 2018**  
Int. Reg. Pub. Date: **Sep. 21, 2018**

(30) **Foreign Application Priority Data**  
Sep. 21, 2017 (JP) ..... 2017-020621  
(51) **LOC (12) Cl.** ..... **14-03**  
(52) **U.S. Cl.**  
USPC ..... **D14/372**  
(58) **Field of Classification Search**  
USPC ..... D14/125, 126, 129, 229, 344, 371, 372,  
D14/432, 496; D16/340; D29/109, 110  
CPC ..... G06T 19/006; G02B 27/0172; G02B  
27/017; G02B 2027/014; G02B  
2027/0178; G06F 3/012; G06F 3/011  
See application file for complete search history.

(56) **References Cited**  
U.S. PATENT DOCUMENTS

D732,028 S \* 6/2015 Kim ..... D14/372  
D780,751 S \* 3/2017 Park ..... D14/372  
D781,288 S \* 3/2017 Park ..... D14/372  
D805,071 S \* 12/2017 Park ..... D14/372

**OTHER PUBLICATIONS**

Dell Enters VR Arena With \_Visor\_ HMD, published Aug. 29, 2017, [online], [site visited Jun. 15, 2019]. Retrieved from url:https://www.anandtech.com/show/11778/dell-enters-vr-arena-with-visor-hmd (Year: 2017).\*

(Continued)

*Primary Examiner* — Michelle E. Wilson  
*Assistant Examiner* — Tracey J Bell  
(74) *Attorney, Agent, or Firm* — Oblon, McClelland, Maier & Neustadt, L.L.P.

(57) **CLAIM**

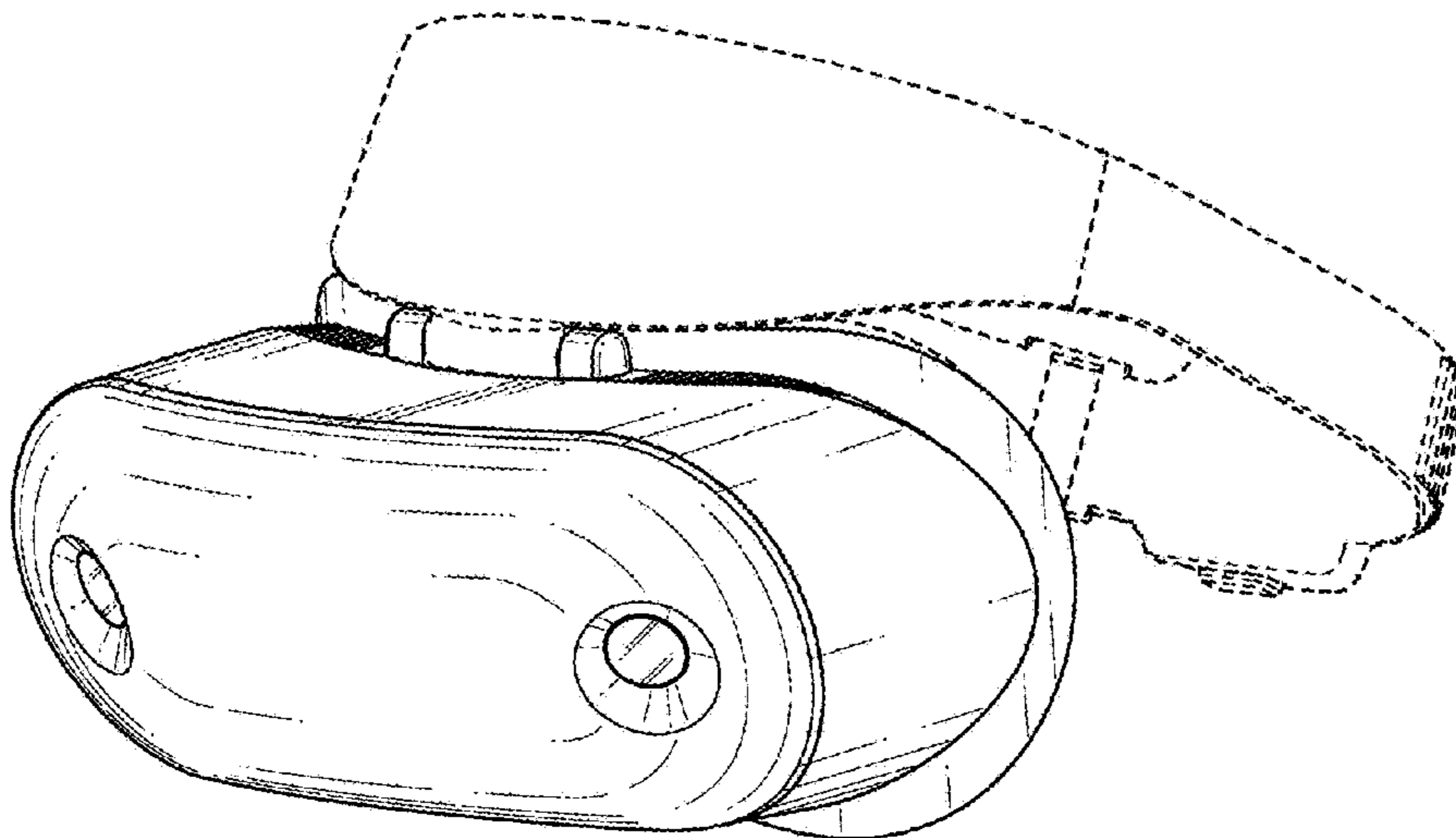
The ornamental design for a head-mounted display, as shown and described.

**DESCRIPTION**

- 1. Head-mounted display
- 1.1 : Front
- 1.2 : Back
- 1.3 : Top
- 1.4 : Bottom
- 1.5 : Right
- 1.6 : Left
- 1.7 : Front perspective view
- 1.8 : Rear perspective view

The broken lines shown in the drawings illustrate the portions of the head-mounted display that form no part of the claimed design.

**1 Claim, 8 Drawing Sheets**



(56)

**References Cited**

## U.S. PATENT DOCUMENTS

D840,399 S \* 2/2019 Miller ..... D14/372  
D865,764 S \* 11/2019 Miller ..... D14/372  
D875,093 S \* 2/2020 Park ..... D14/372  
D875,094 S \* 2/2020 Miller ..... D14/372  
D882,568 S \* 4/2020 Park ..... D14/372  
2016/0249124 A1 \* 8/2016 Drinkwater ..... G06F 1/1605

## OTHER PUBLICATIONS

Samsung unveils head-mounted display for Microsoft's mixed reality platform, published Oct. 23, 2018, [online], [site visited Jun. 15, 2019]. Retrieved from url:<http://www.ajudaily.com/view/20181023111105260> (Year: 2018).\*

Fujitsu VR HMD Press Release, published Oct. 17, 2017, [online], [site visited Jan. 16, 2020]. Retrieved from url:<https://pr.fujitsu.com/jp/news/2017/10/17.html> (Year: 2017).\*

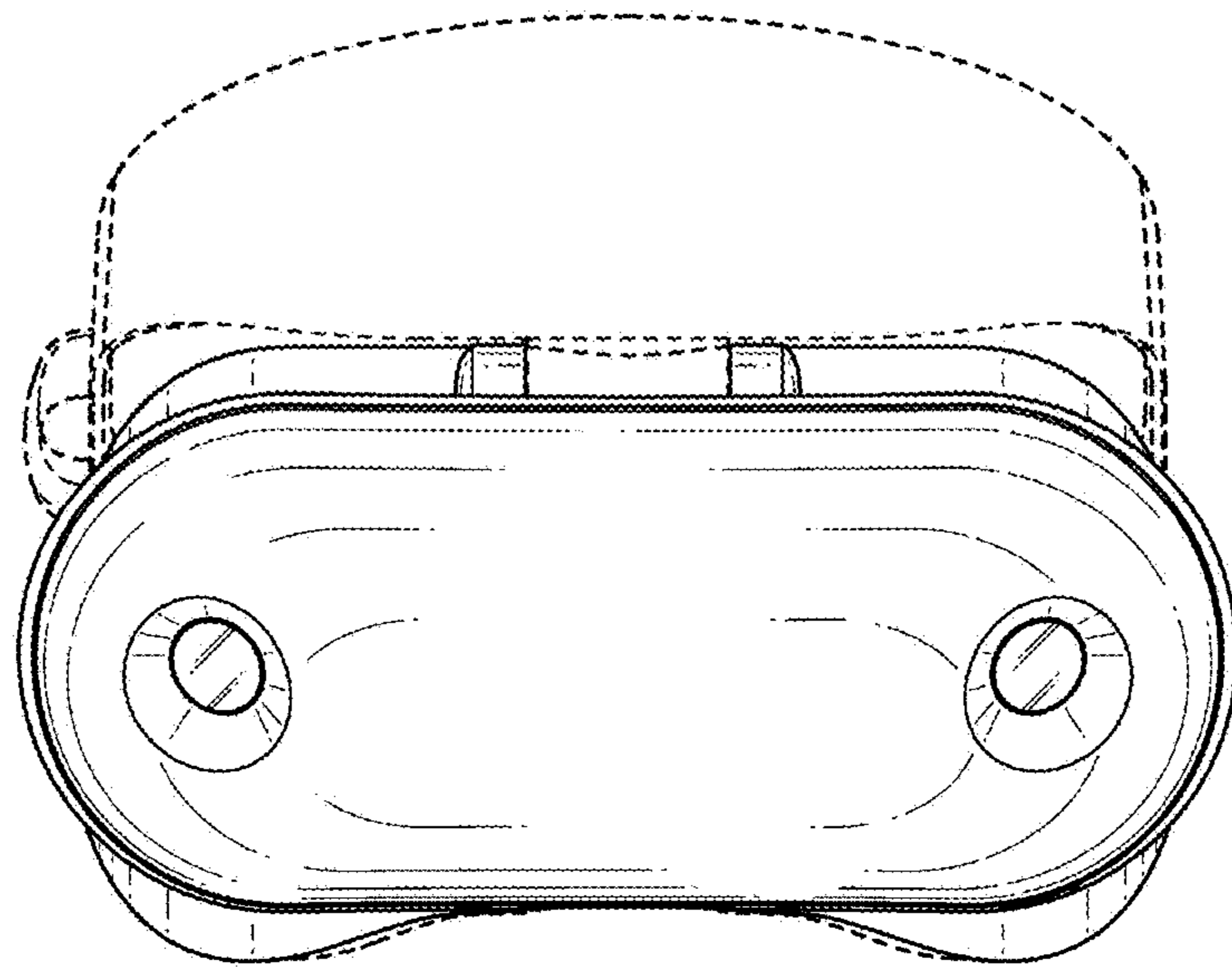
Fujitsu is Making a Windows VR Headset Too, published Oct. 21, 2017, [online], [site visited Jan. 16, 2020]. Retrieved from url:<https://www.roadtovr.com/fujitsu-making-windows-vr-headset-arrival-japan-expected-late-november/> (Year: 2017).\*

Japanese Engadget Fujitsu, published Oct. 17, 2017, [online], [site visited Jan. 16, 2020]. Retrieved from url:<http://japanese.engadget.com/2017/10/16/win-mr-11-pc/#/> (Year: 2017).\*

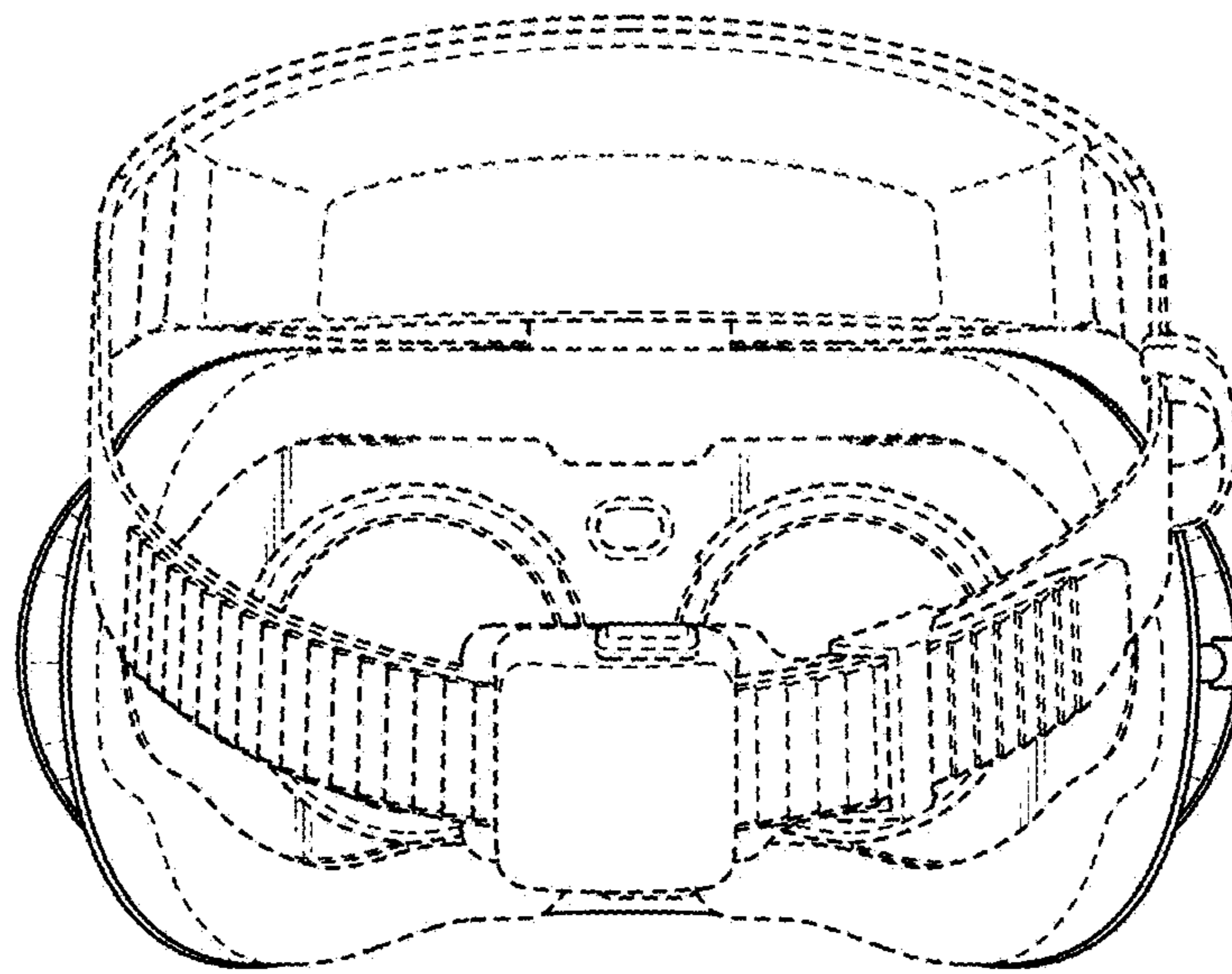
Office Action issued Jun. 29, 2018 in Japanese Patent Application No. 2017-020621 (with partial English language translation).

Toshiaki Konishi, "Possibly develop an entry market of VR HMD? Tried a VR HMD corresponding to Windows Mixed Reality at the IFA exhibition", <https://web.archive.org/web/20170906124750/http://www.4gamer.net/games/393/G039370/20170903001/>, Sep. 5, 2017, 12 pages.

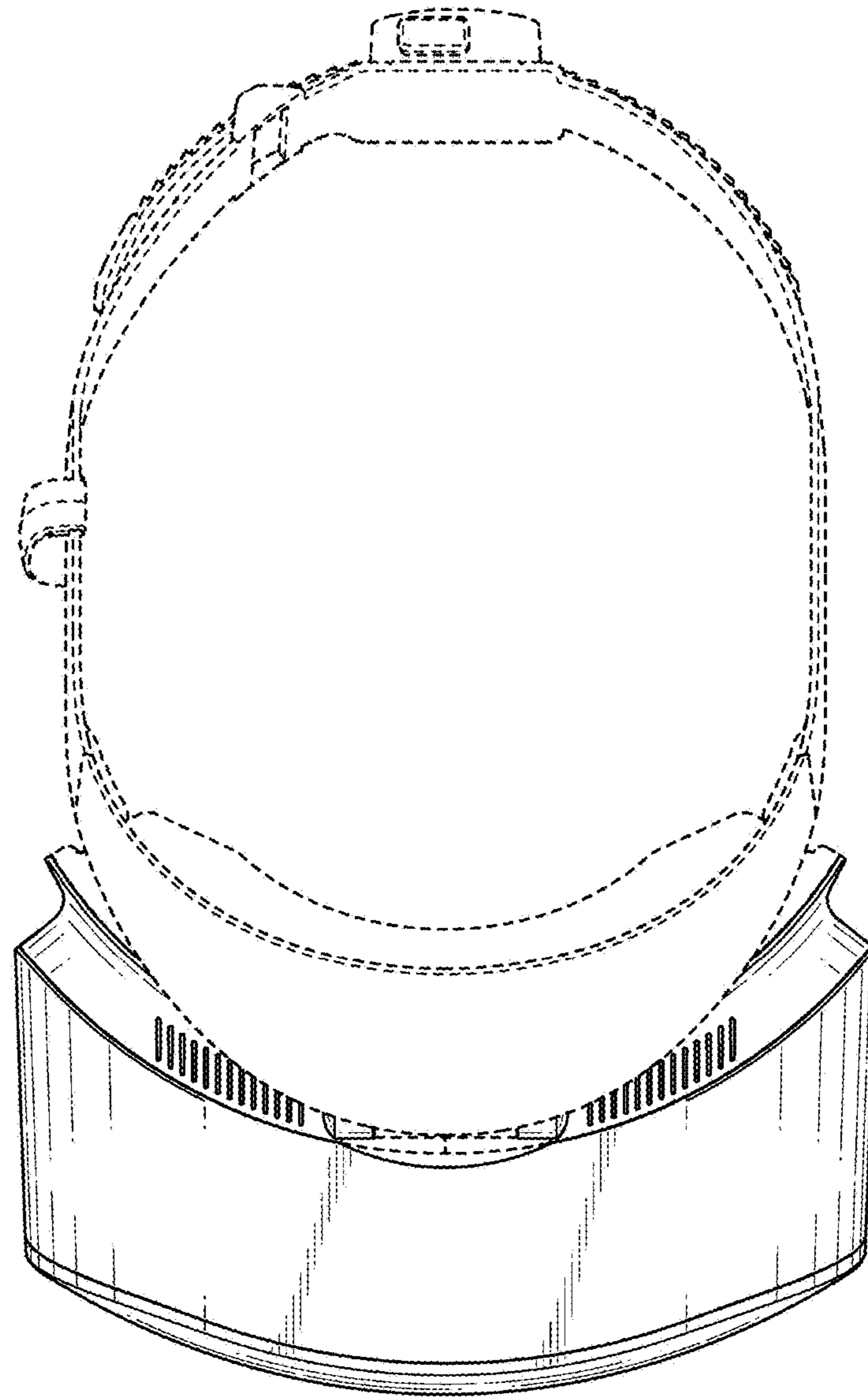
\* cited by examiner



1.1

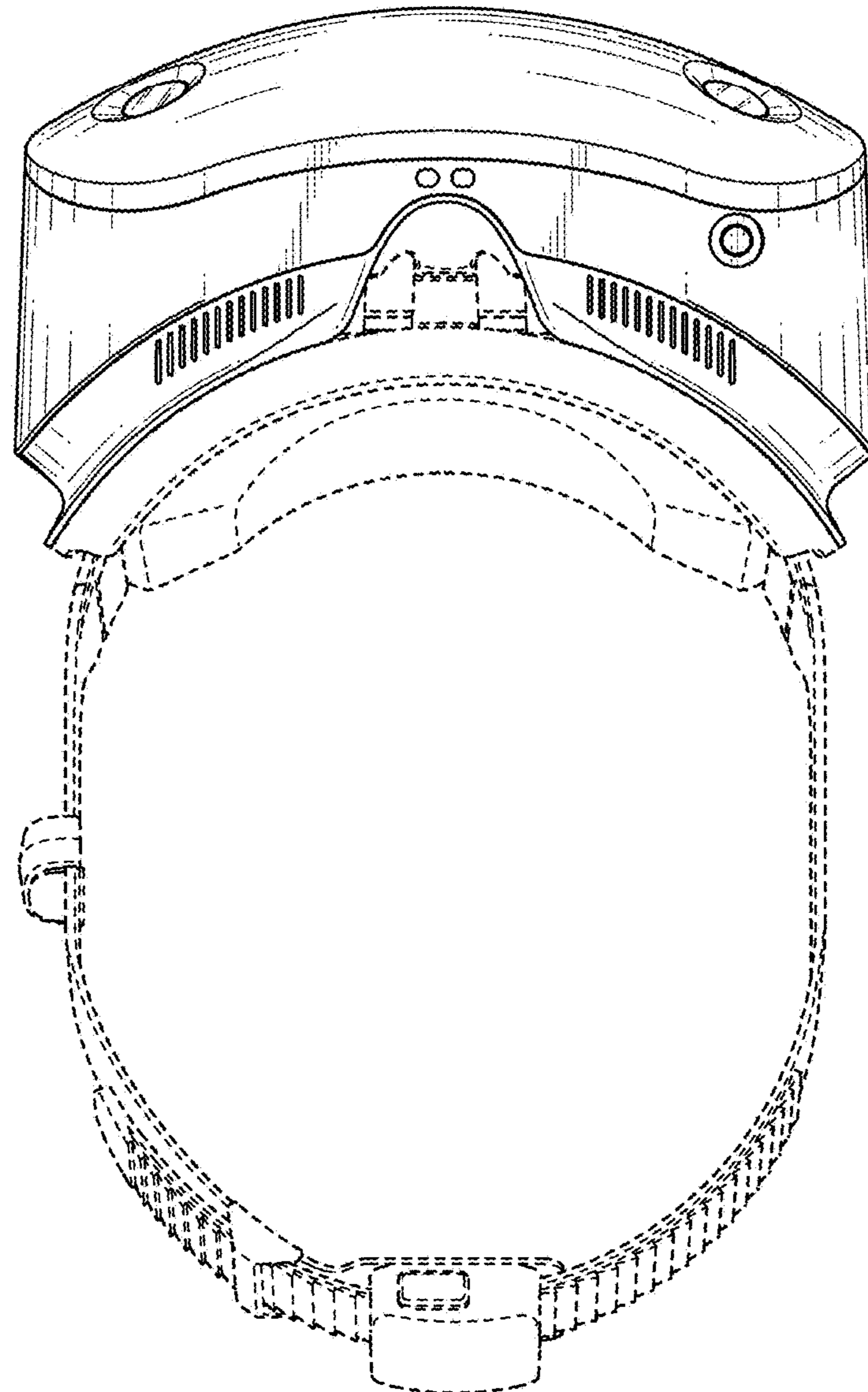


1.2

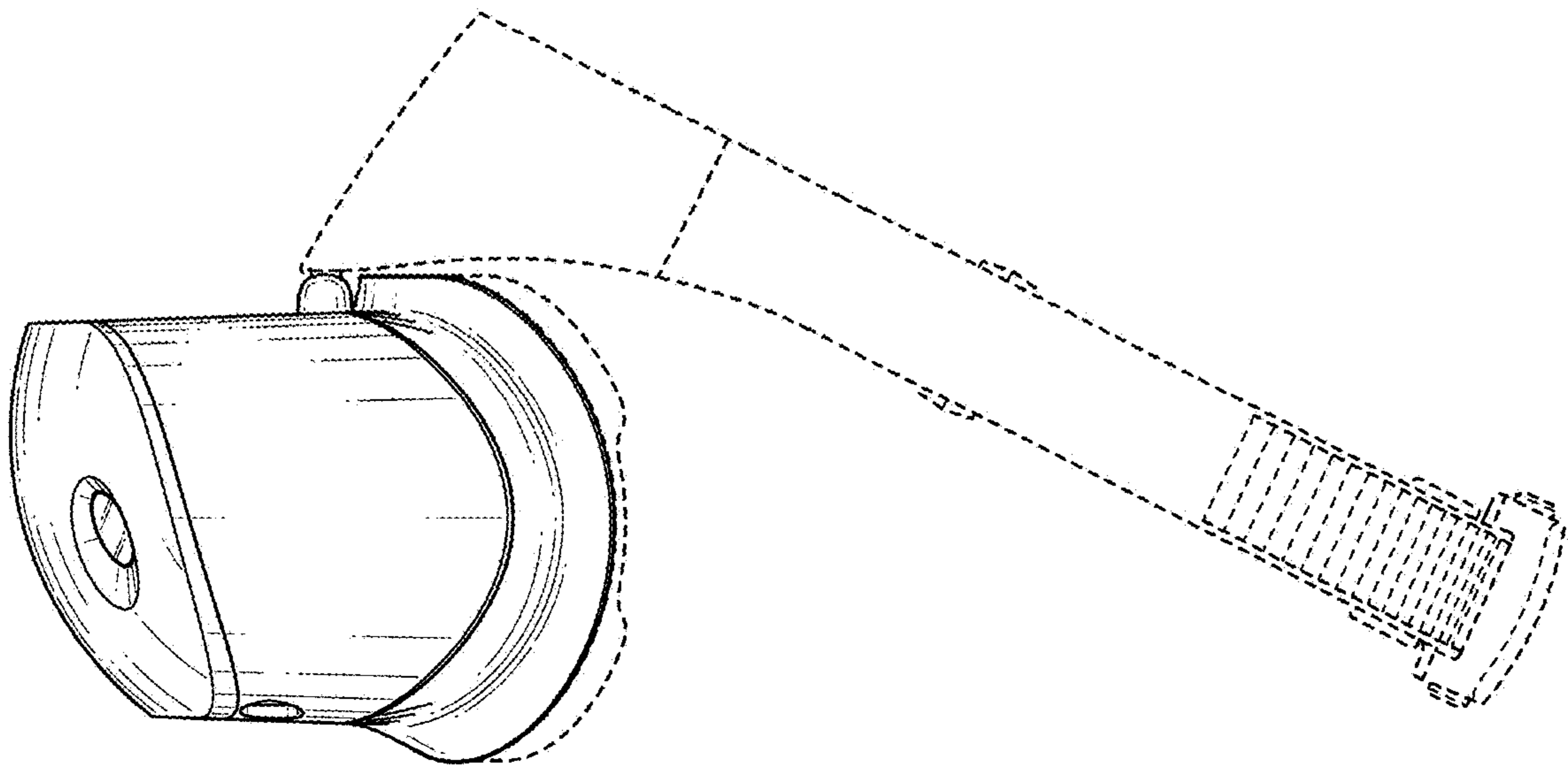


1.3

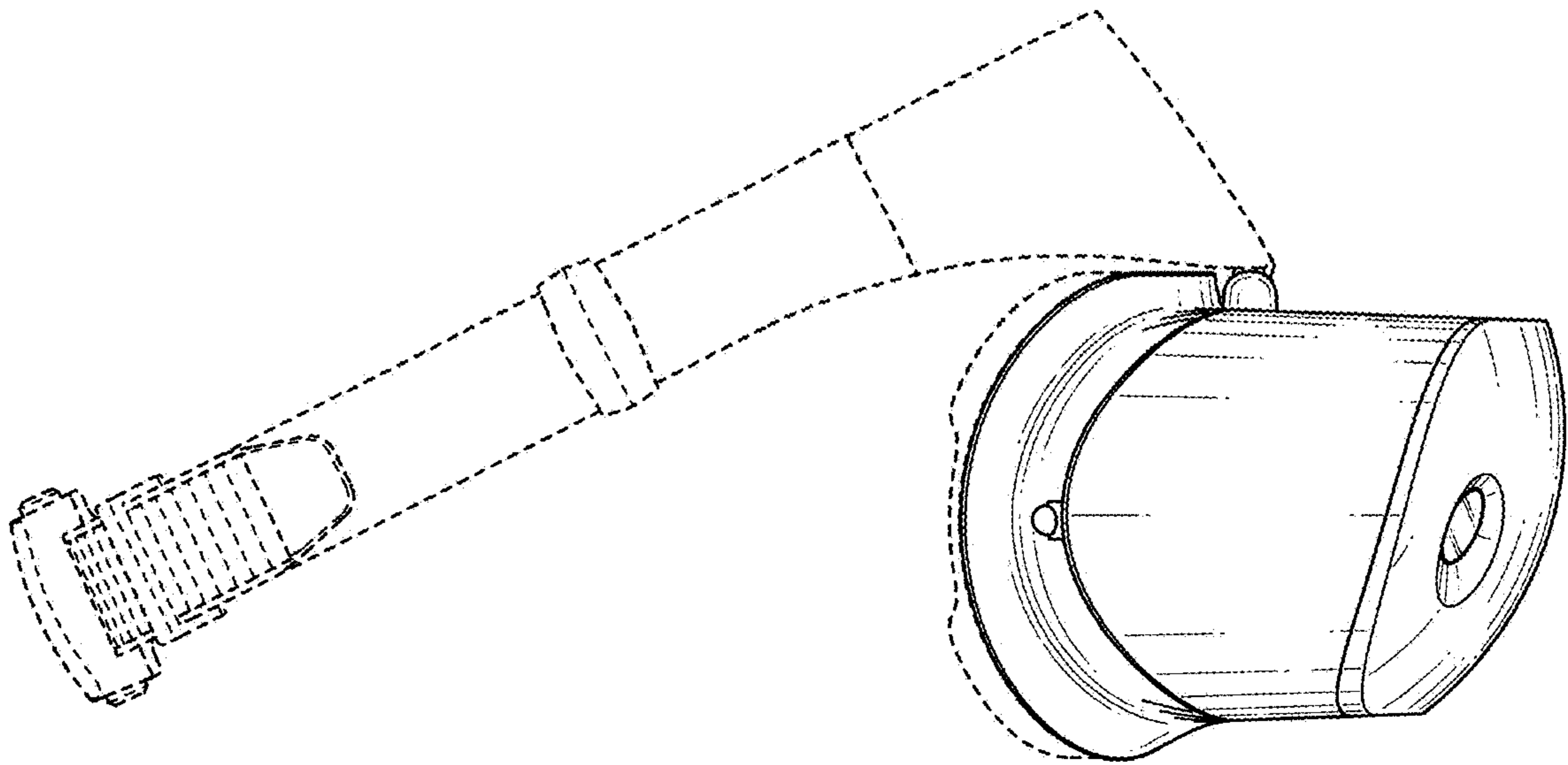




1.4

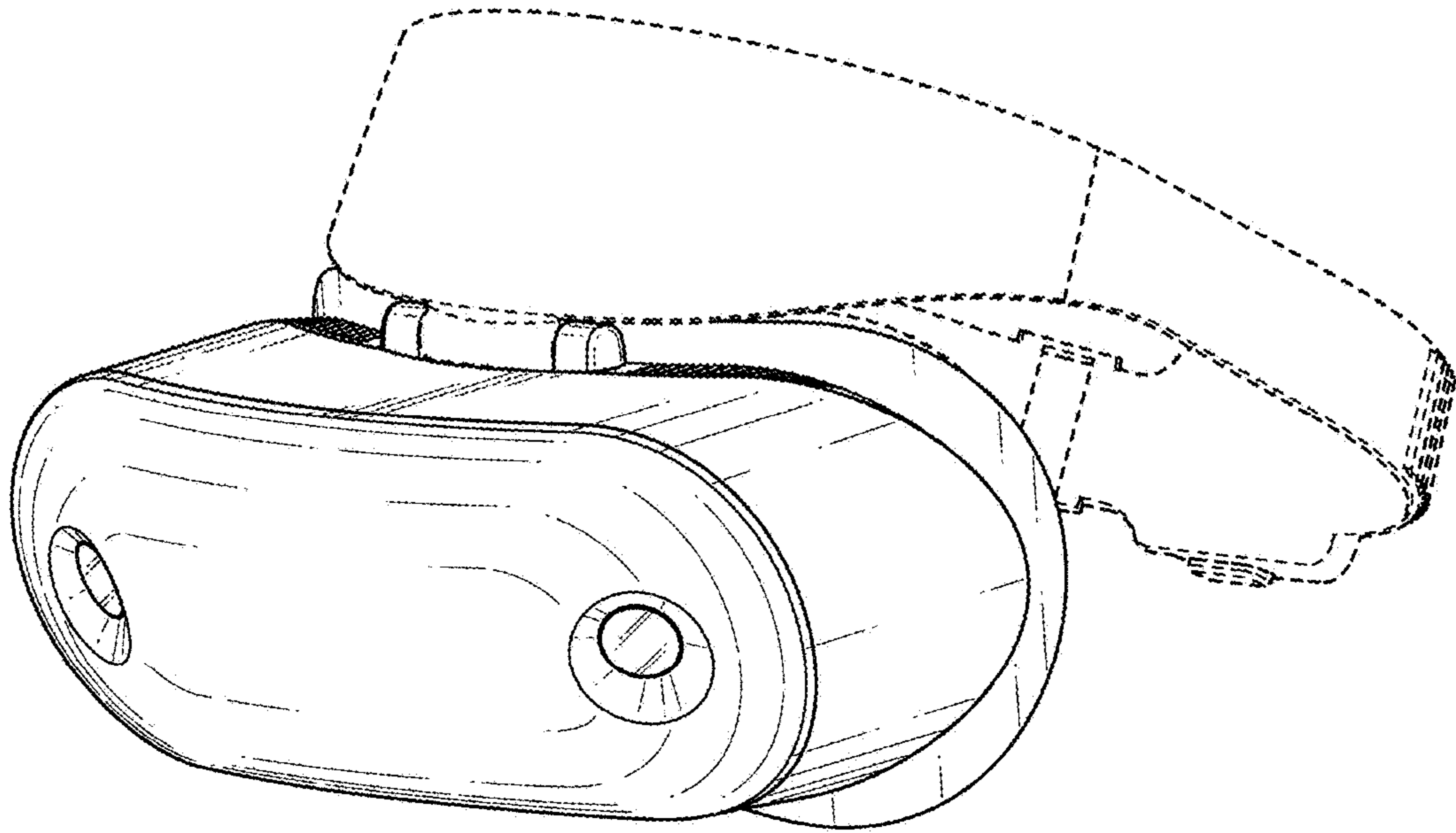


1.5

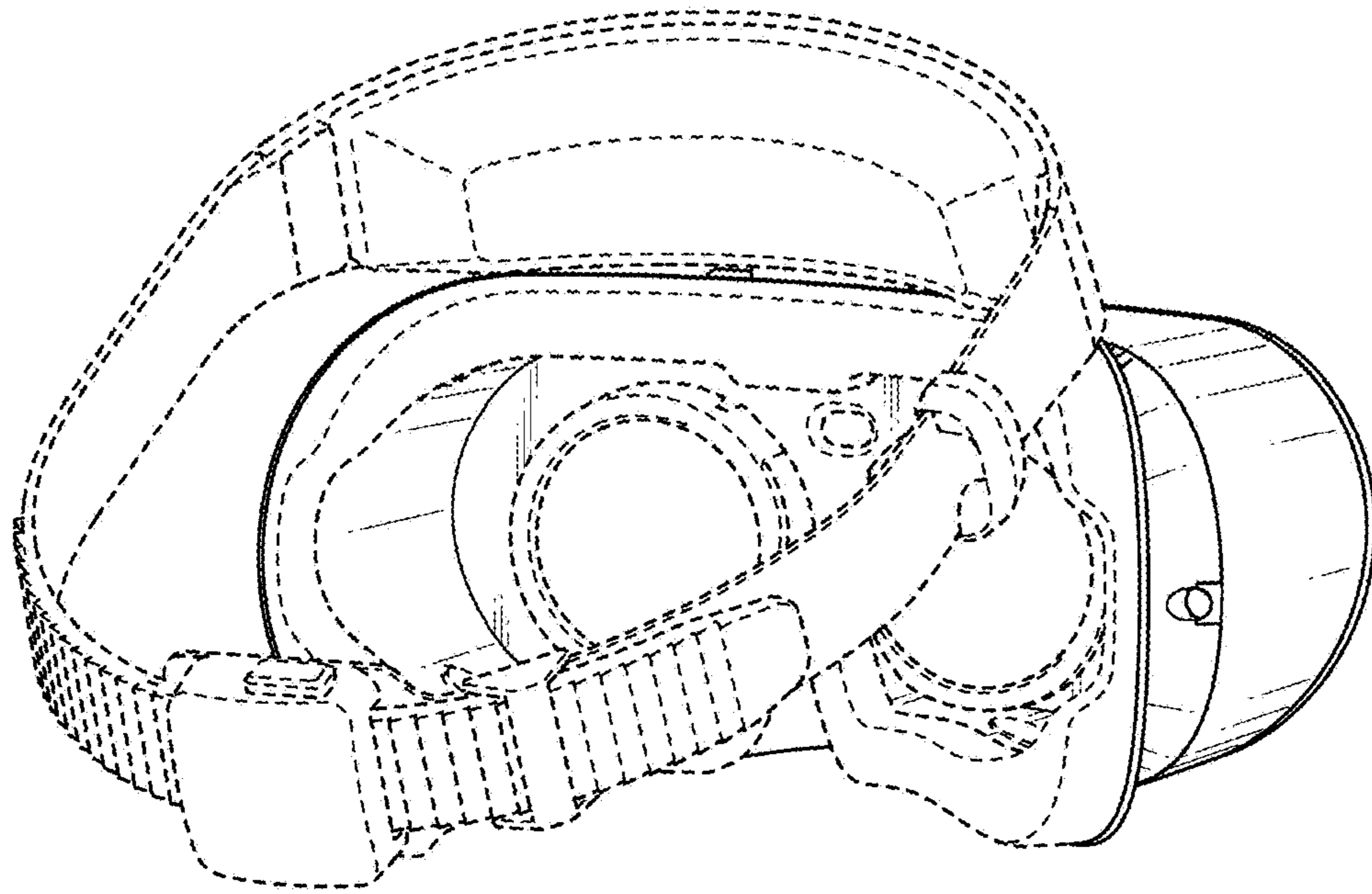


1.6





1.7



1.8