



US00D893477S

(12) **United States Design Patent**
Bhat et al.

(10) **Patent No.:** **US D893,477 S**

(45) **Date of Patent:** **** Aug. 18, 2020**

(54) **HEADSET**

(71) Applicant: **HEWLETT-PACKARD
DEVELOPMENT COMPANY, L.P.**,
Spring, TX (US)

(72) Inventors: **Siddhartha Bhat**, Palo Alto, CA (US);
Rahul Shrikant Patil, Taipei (CN);
John William Pennington, Jr., Palo
Alto, CA (US); **Glenn A. Wong**, Palo
Alto, CA (US)

(73) Assignee: **Hewlett-Packard Development
Company, L.P.**, Spring, TX (US)

(**) Term: **15 Years**

(21) Appl. No.: **29/688,511**

(22) Filed: **Apr. 22, 2019**

(51) **LOC (12) Cl.** **14-02**

(52) **U.S. Cl.**
USPC **D14/372**

(58) **Field of Classification Search**
USPC D14/372, 496, 432, 371, 125, 126, 129,
D14/299; D16/300-342; 351/158, 153,
351/144; 345/7-9, 905; 455/344;
348/115, 53, 121, 739
CPC G02B 27/017; G02B 27/0158; G02B
27/0161; G02B 27/0181; G02B 27/0185;
G02B 27/0189

See application file for complete search history.

(56) **References Cited**

U.S. PATENT DOCUMENTS

D764,466 S * 8/2016 Kim D14/372
D776,111 S * 1/2017 Baldassi D14/372

D799,481 S * 10/2017 Kim D14/372
D805,515 S * 12/2017 Bowes D14/372
D816,670 S * 5/2018 Hsu D14/372
D827,642 S * 9/2018 Liu D14/372
D840,397 S * 2/2019 Li D14/372
D842,300 S * 3/2019 Chiang D14/372
D843,374 S * 3/2019 Nieto D14/372
D849,003 S * 5/2019 Chiang D14/372
D859,408 S * 9/2019 Natsume D14/372
D862,467 S * 10/2019 Chen D14/372

* cited by examiner

Primary Examiner — Austin Murphy

(74) *Attorney, Agent, or Firm* — Perry + Currier Inc.

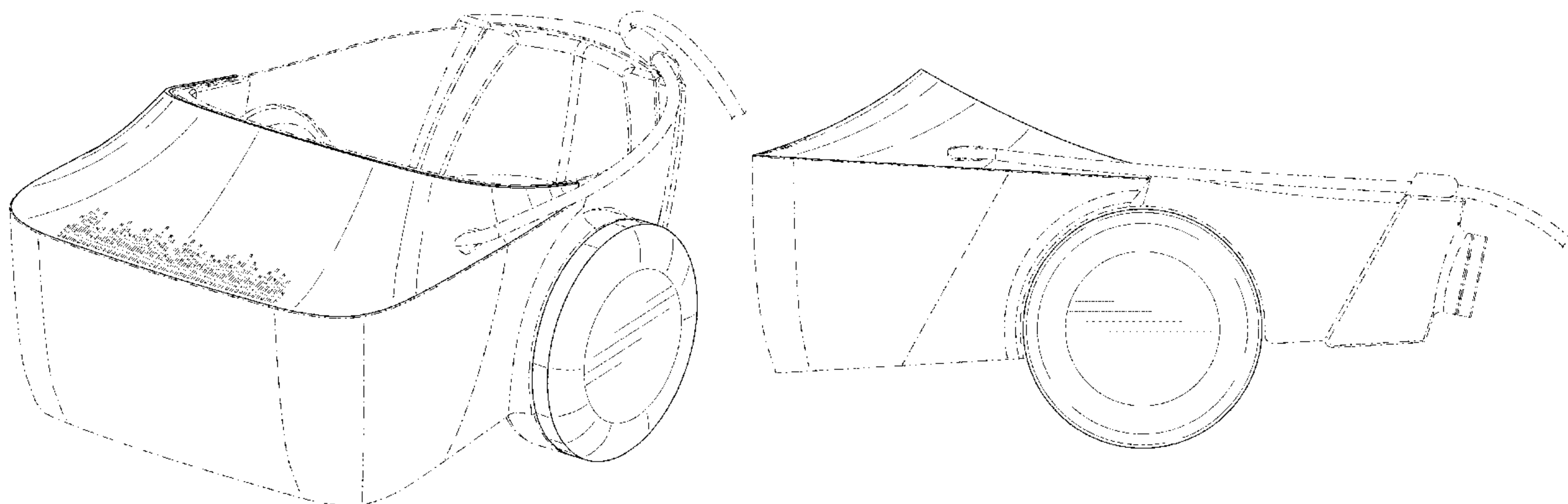
(57) **CLAIM**

The ornamental design for a headset, as shown and described.

DESCRIPTION

FIG. 1 is a top-front perspective view of a headset.
FIG. 2 is a bottom-rear perspective view of the headset of FIG. 1.
FIG. 3 is a left side view of the headset of FIG. 1.
FIG. 4 is a front view of the headset of FIG. 1.
FIG. 5 is a right side view of the headset of FIG. 1.
FIG. 6 is a rear view of the headset of FIG. 1.
FIG. 7 is a top view of the headset of FIG. 1.
FIG. 8 is a bottom view of the headset of FIG. 1.
FIG. 9 is a top-front perspective view of the headset of FIG. 1 being worn; and,
FIG. 10 is a top-front perspective view of the headset of FIG. 1 being worn in a raised position.
Broken lines in the drawings form no part of the design.

1 Claim, 10 Drawing Sheets



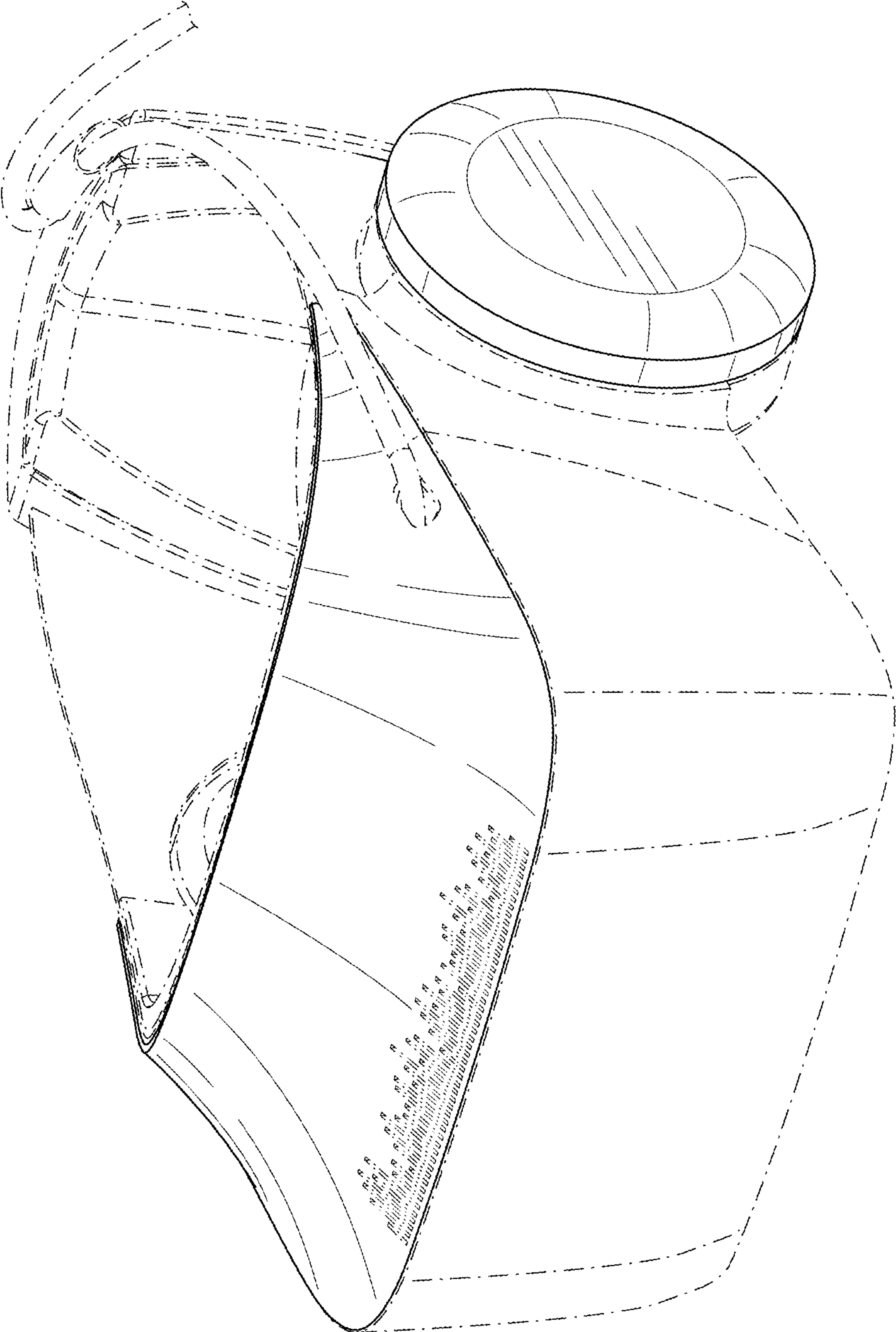


FIG. 1

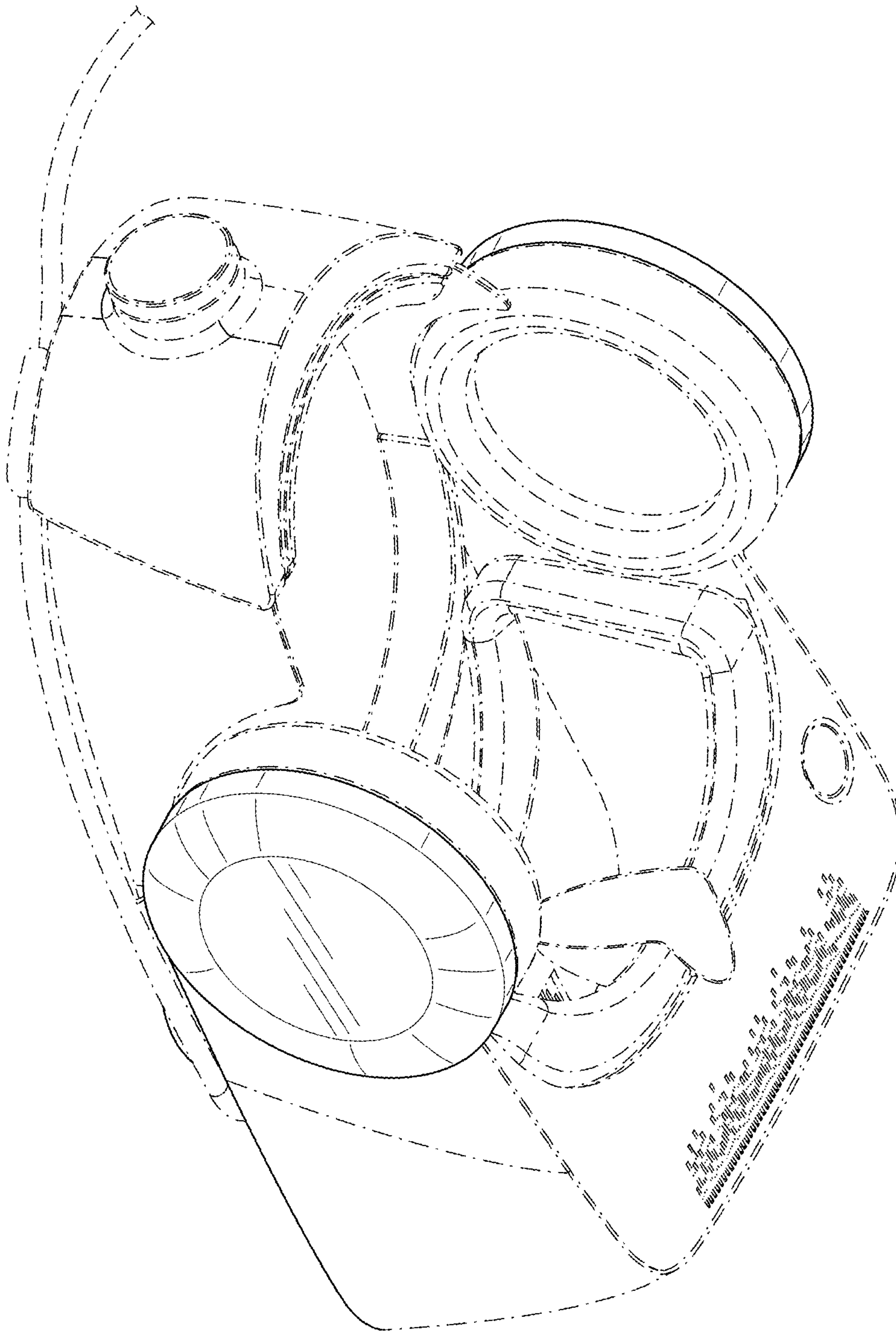


FIG. 2

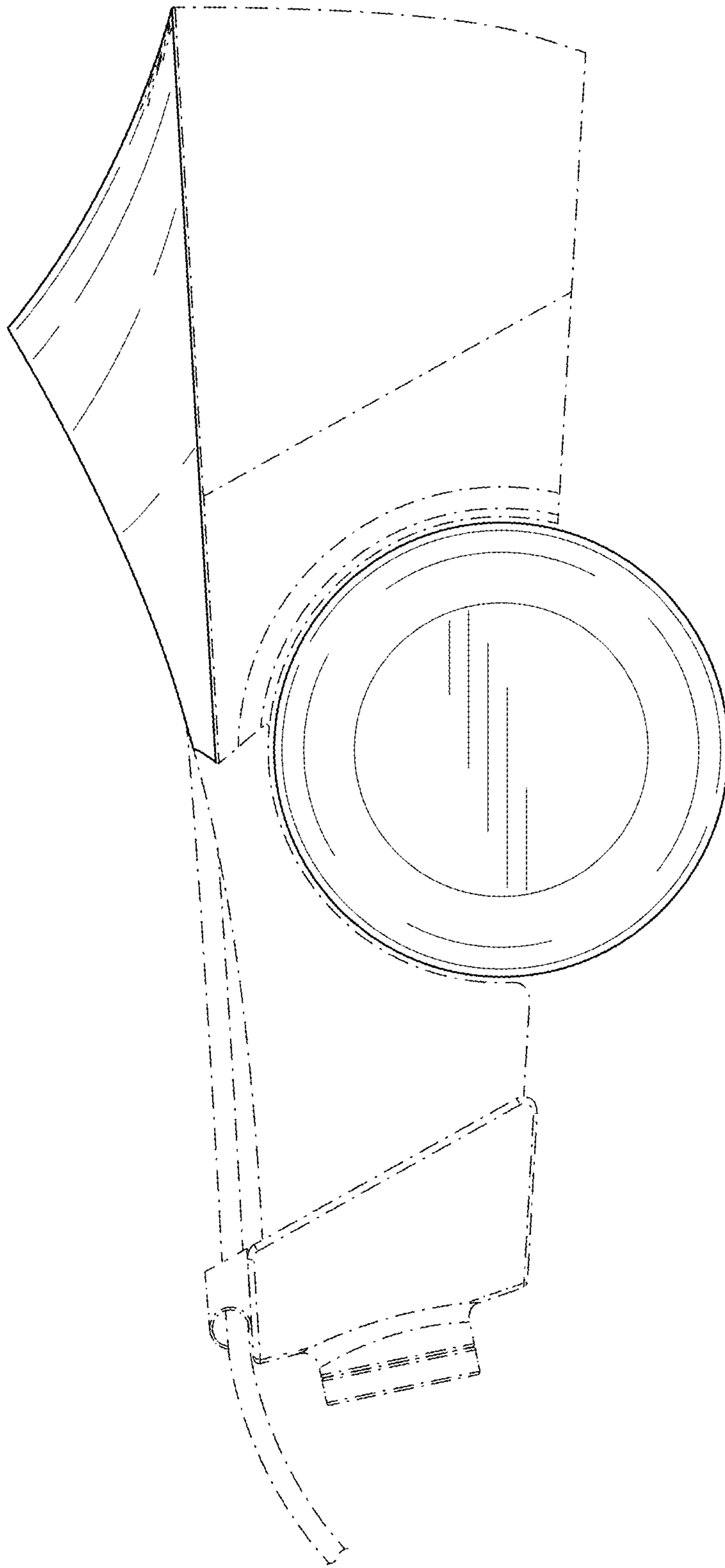


FIG. 3

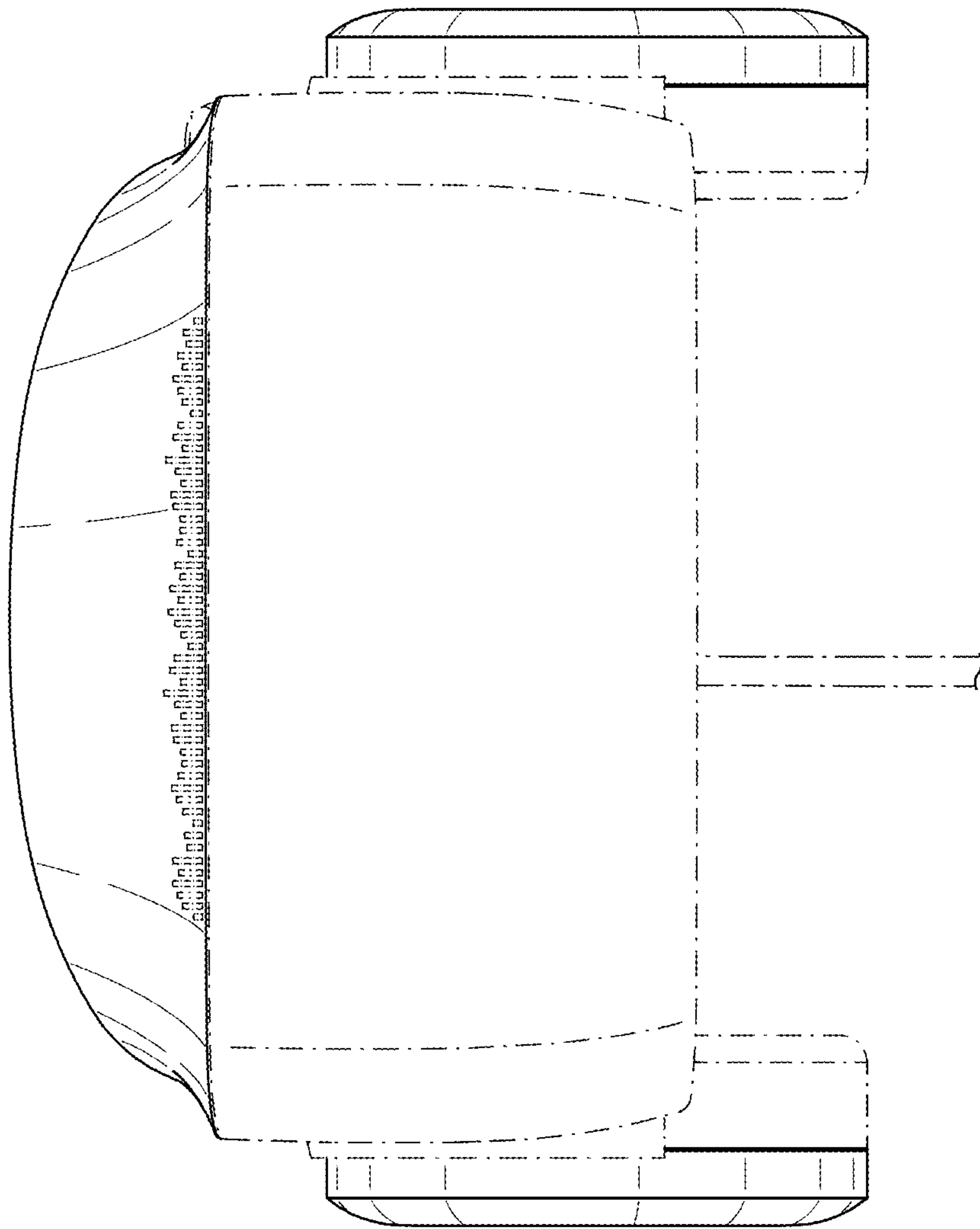


FIG. 4

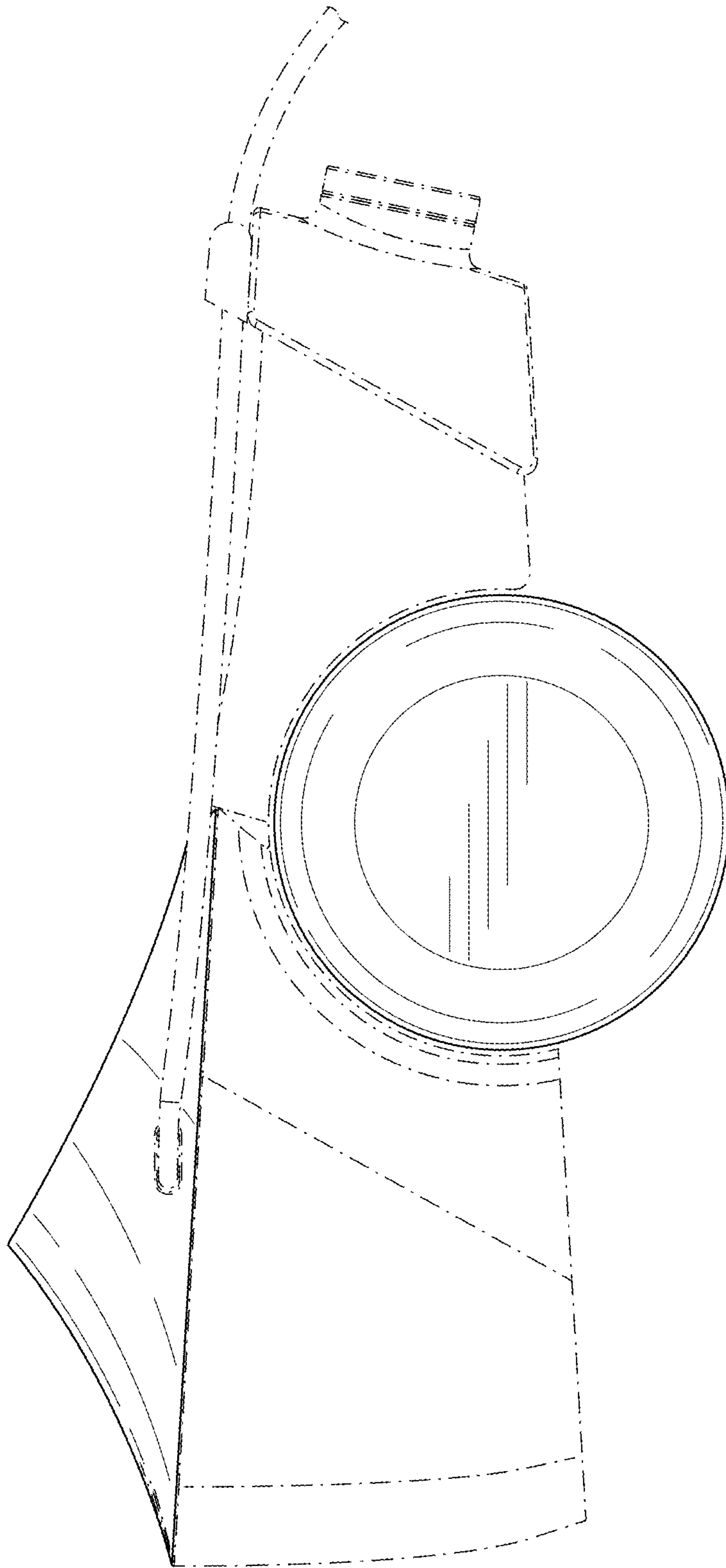


FIG. 5

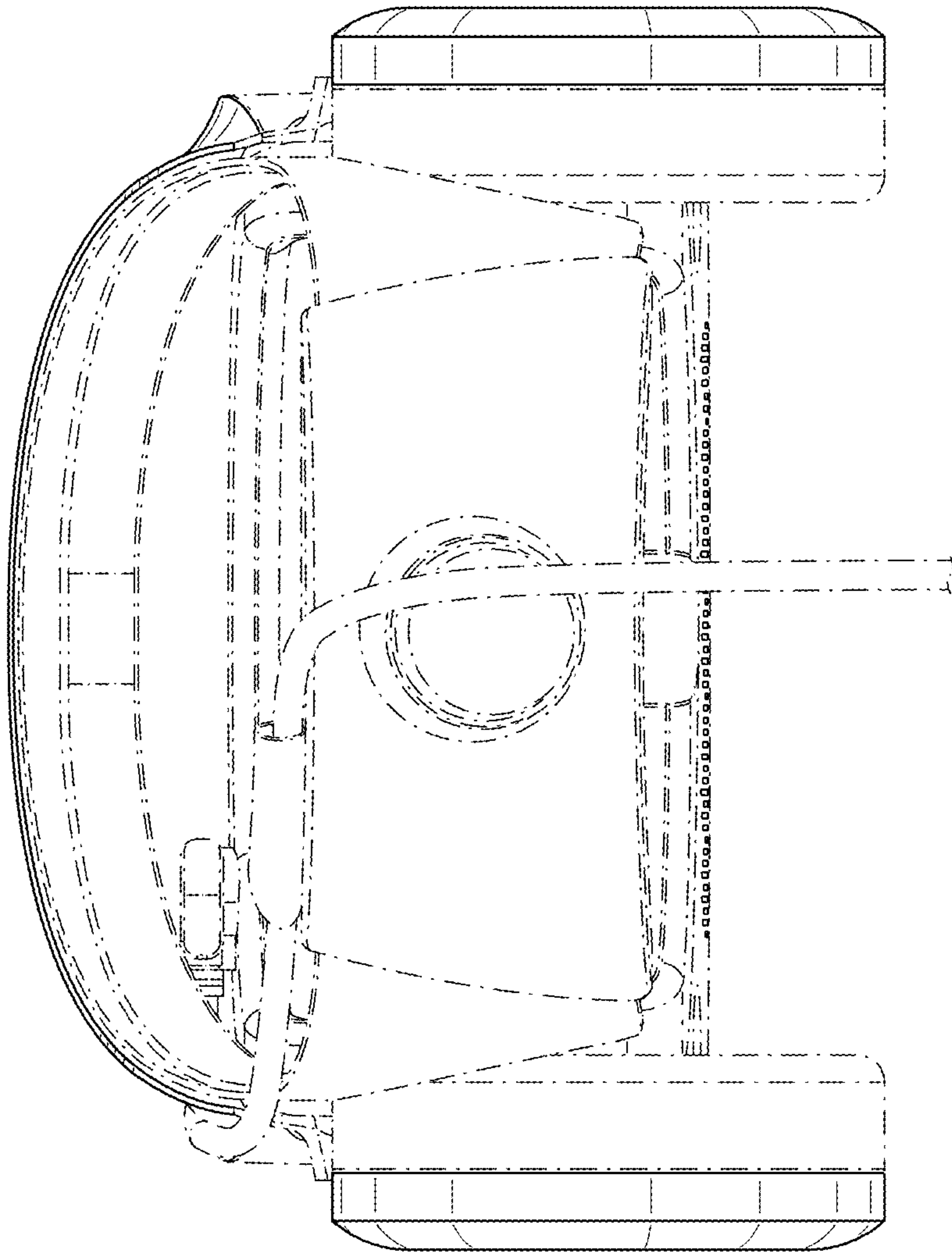


FIG. 6

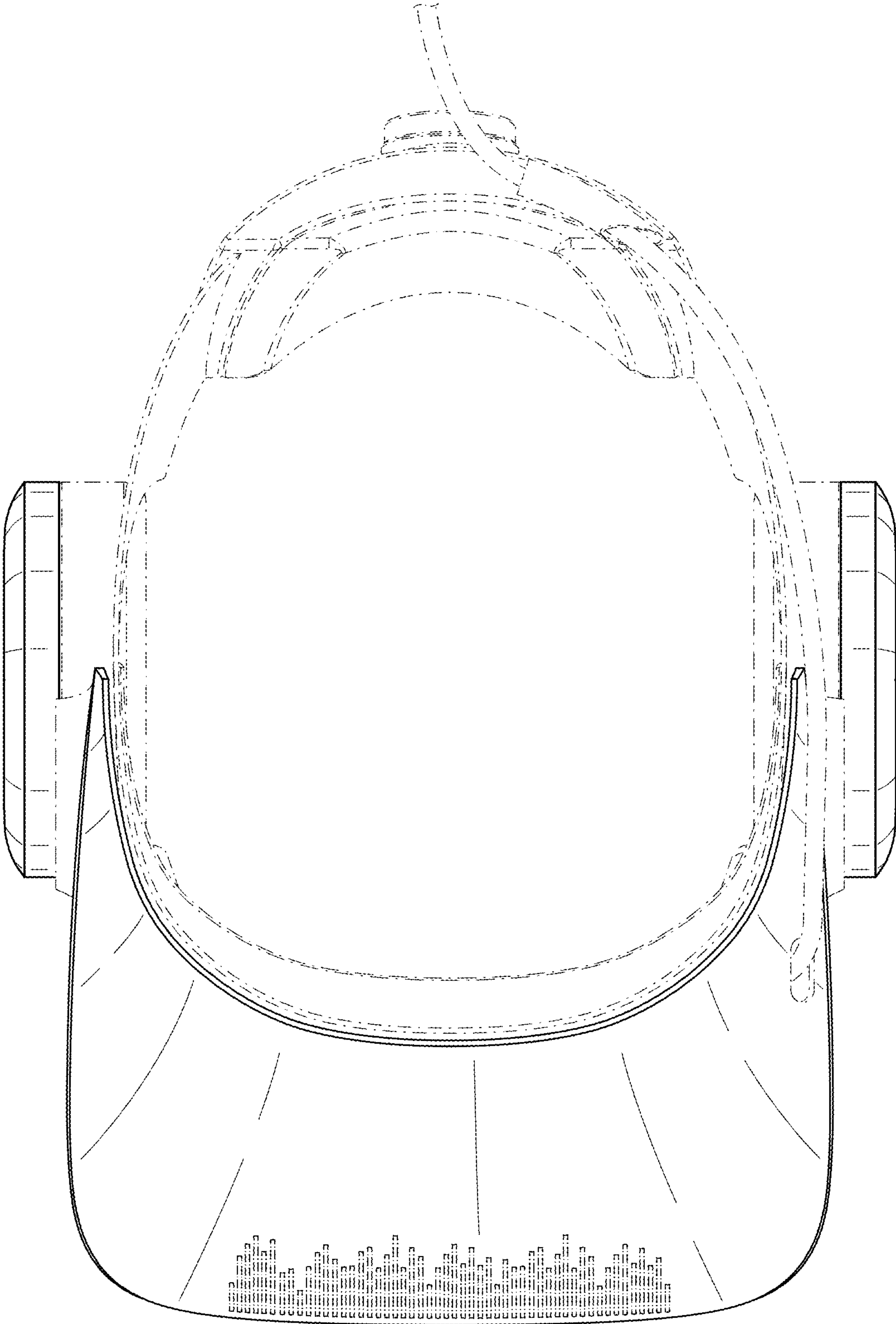


FIG. 7

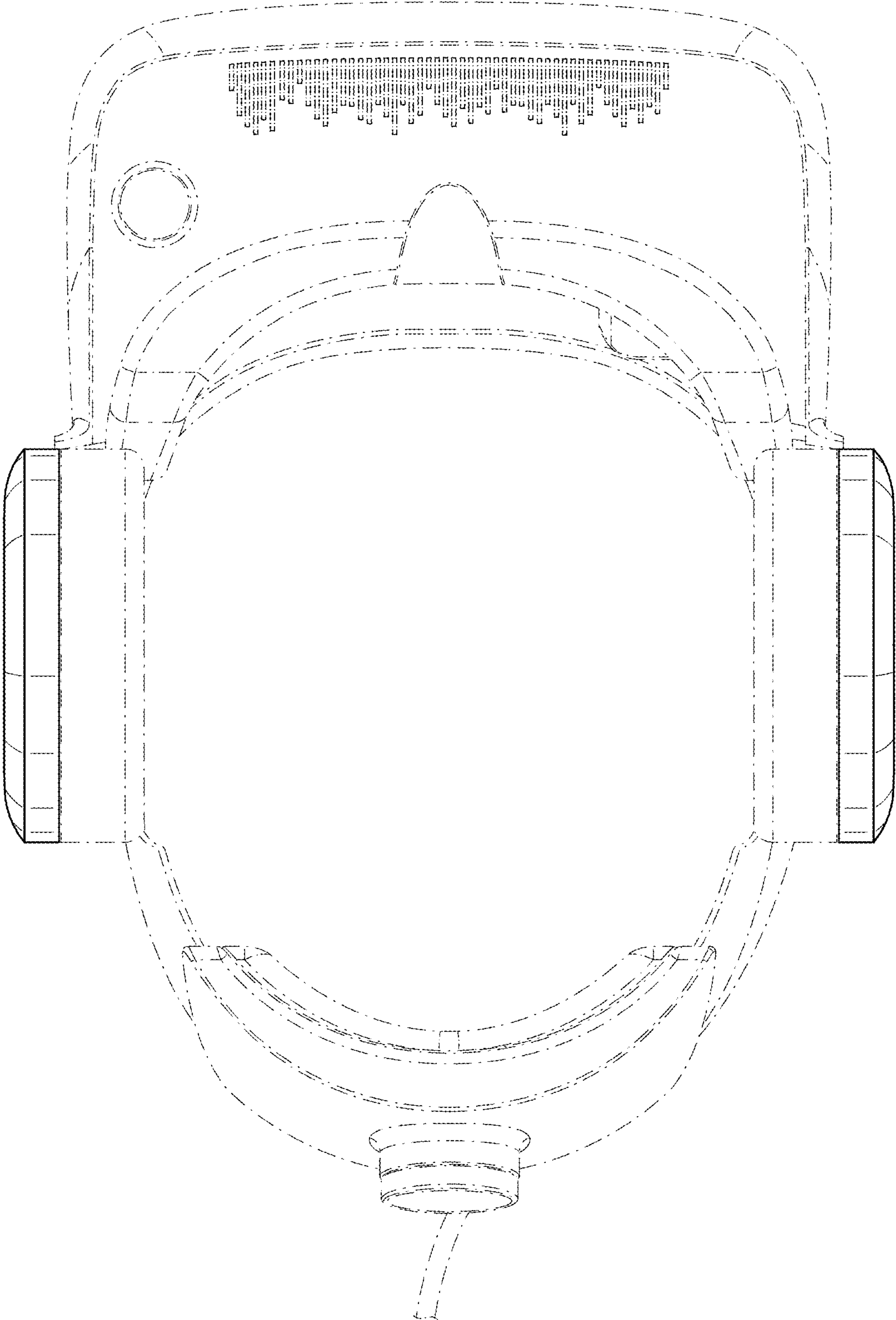


FIG. 8

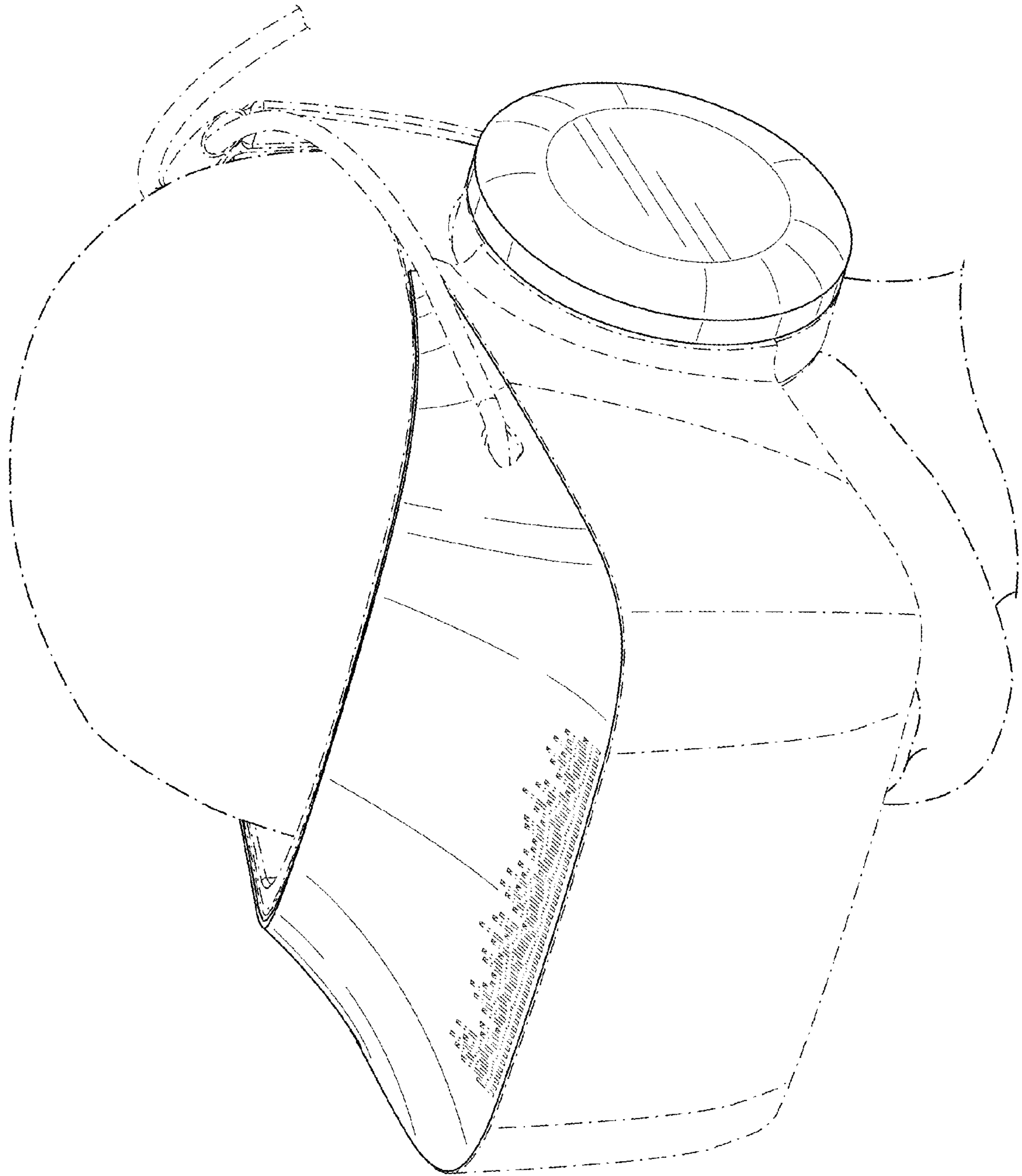


FIG. 9

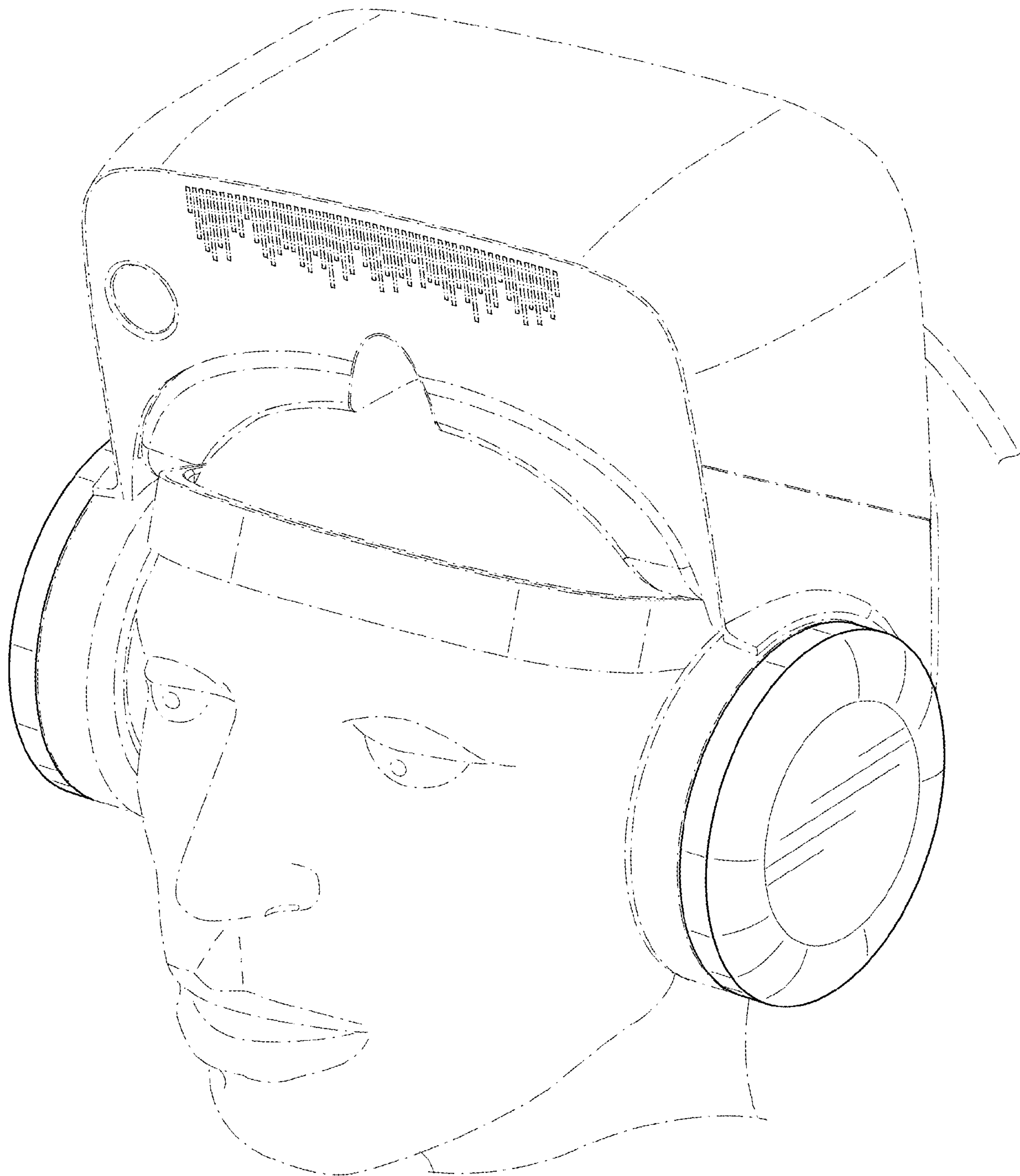


FIG. 10