



US00D893476S

(12) **United States Design Patent** (10) **Patent No.:** **US D893,476 S**  
**Winston** (45) **Date of Patent:** **\*\* Aug. 18, 2020**

(54) **OVERHEAD DISPLAY** D406,582 S \* 3/1999 Rosen ..... D14/132  
5,946,055 A 8/1999 Rosen  
(71) Applicant: **Systems and Software Enterprises, LLC, Brea, CA (US)** D413,856 S \* 9/1999 Scribner ..... D12/418  
(Continued)

(72) Inventor: **Joseph Rhoads Winston, Raleigh, NC (US)** FOREIGN PATENT DOCUMENTS  
(73) Assignee: **Systems and Software Enterprises, LLC, Brea, CA (US)** CN 304800103 \* 9/2018  
CN 305135679 \* 4/2019  
(Continued)

(\*\*) Term: **15 Years** OTHER PUBLICATIONS  
(21) Appl. No.: **29/665,196** Display Unit, Zodiac, runwaygirlnetwork.com, posted by John Walton on Jan. 22, 2018 per wayback machine © 2014-2019 Runway Girl network, online, site visited Dec. 14, 2019. Available from Internet, URL: https://runwaygirlnetwork.com/2017/01/02/time-to-put-the-service-back-in-passenger-service-unit/ (Year: 2018).\*  
(22) Filed: **Oct. 1, 2018**

**Related U.S. Application Data**

(62) Division of application No. 29/599,124, filed on Mar. 31, 2017, now Pat. No. Des. 829,715.  
(51) **LOC (12) Cl.** ..... **14-02**  
(52) **U.S. Cl.**  
USPC ..... **D14/371**  
(58) **Field of Classification Search**  
USPC ..... D14/197, 218, 371, 388, 443, 454, 402, D14/404-405, 409, 416, 427, 433; D21/566; 439/470, 108; D8/364, 367, D8/381-382, 394-396, 354-356; D6/528, 534-535, 554; D20/43; D13/155; 345/156; D19/81, 178, 920; D12/415, 417-418; 296/24.34; 348/837  
CPC ..... F16G 11/02; G06F 3/016; G06F 3/014; G06F 3/011; G06F 3/033; A63F 13/24; A63F 2300/308; A63F 2300/8082  
See application file for complete search history.

*Primary Examiner* — Marissa J Cash  
*Assistant Examiner* — Altaira J Swangin  
(74) *Attorney, Agent, or Firm* — Ryan Dean; Umberg Zipser LLP

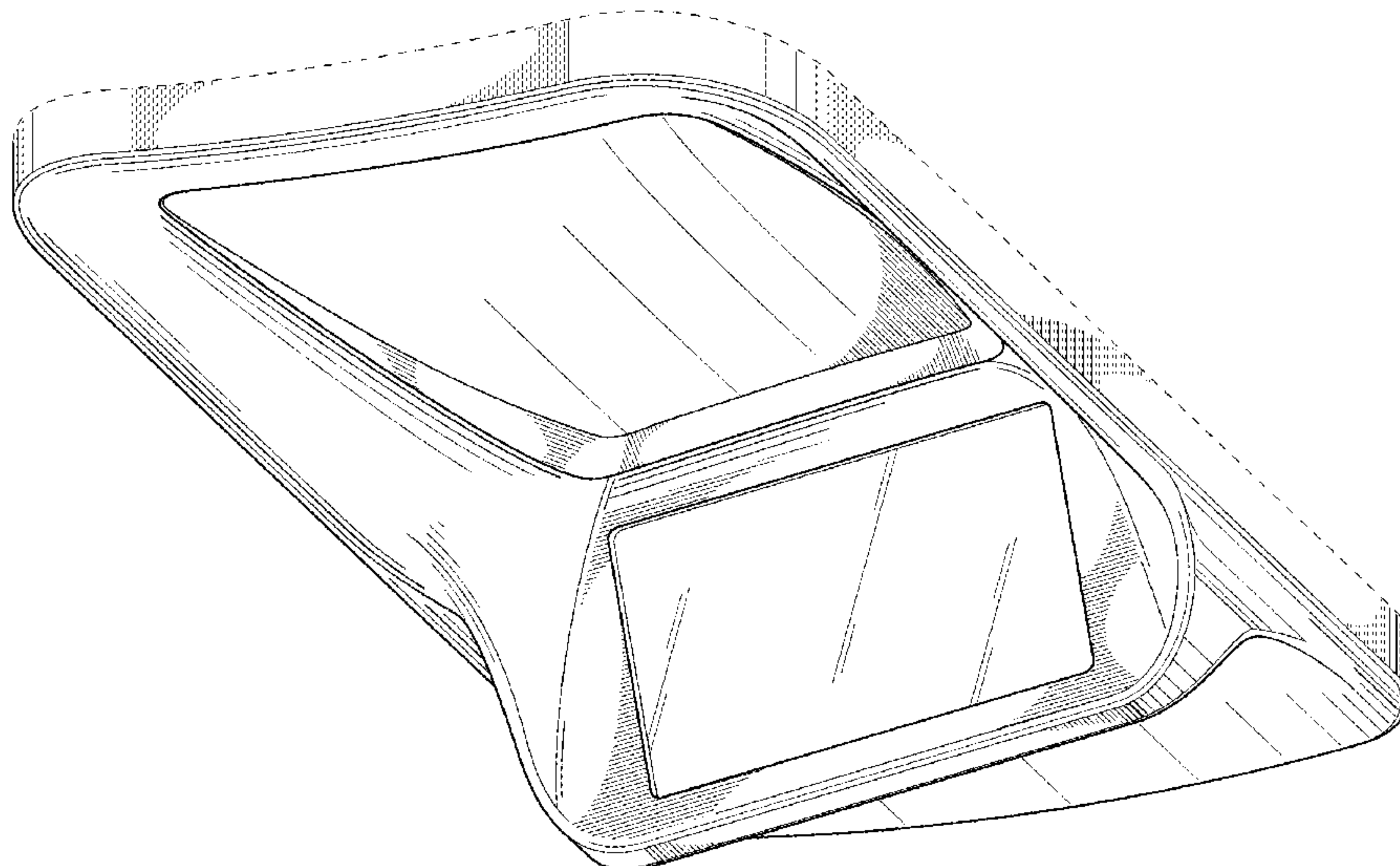
(57) **CLAIM**  
The ornamental design for an overhead display, as shown and described.

**DESCRIPTION**

FIG. 1 is a front, bottom, right side perspective view of an overhead display of the new design.  
FIG. 2 is a front elevation view of the overhead display of FIG. 1.  
FIG. 3 is a rear elevation view thereof.  
FIG. 4 is a left side elevation view thereof.  
FIG. 5 is a right side elevation view thereof; and,  
FIG. 6 is a bottom plan view thereof.  
The broken lines in the Figures are included for the purpose of defining the claim boundary, and form no part of the claimed design.

(56) **References Cited**  
U.S. PATENT DOCUMENTS  
D209,330 S \* 11/1967 Coderre ..... D8/382  
D339,780 S \* 9/1993 Burdick ..... D12/418  
D399,200 S \* 10/1998 Rosen ..... D14/132

**1 Claim, 4 Drawing Sheets**



(56)

References Cited

U.S. PATENT DOCUMENTS

D428,849 S \* 8/2000 Higginson ..... D12/418  
 6,246,449 B1 6/2001 Rosen  
 D446,507 S \* 8/2001 Rosen ..... D14/132  
 D453,325 S \* 2/2002 Okada ..... D14/132  
 D462,670 S \* 9/2002 Kasuga ..... D14/132  
 D465,670 S 11/2002 Bell  
 6,633,347 B2 10/2003 Kitazawa  
 D489,044 S \* 4/2004 Bremenkamp ..... D14/132  
 D510,329 S 10/2005 Vitito  
 D511,332 S \* 11/2005 Vitito ..... D14/132  
 D513,001 S \* 12/2005 Jiang ..... D14/371  
 6,976,659 B2 \* 12/2005 Chen ..... B60R 11/0235  
 248/125.2  
 6,979,038 B1 \* 12/2005 Cho ..... B60R 11/0235  
 248/918  
 D529,462 S 10/2006 Lee et al.  
 7,124,989 B1 \* 10/2006 Lee ..... B60R 11/0235  
 248/288.11  
 D539,768 S \* 4/2007 Vitito ..... D14/132  
 7,219,943 B2 \* 5/2007 Shiomiya ..... B60R 11/00  
 296/37.7  
 7,280,166 B2 10/2007 Nagata et al.  
 D565,561 S \* 4/2008 Kaneshiro ..... D14/315  
 D565,562 S \* 4/2008 Nakagawa ..... D14/315  
 D565,563 S \* 4/2008 Kaneshiro ..... D14/315  
 D565,564 S \* 4/2008 Nakagawa ..... D14/315  
 D565,565 S \* 4/2008 Nakagawa ..... D14/315  
 D566,111 S \* 4/2008 Nakagawa ..... D14/315  
 7,379,125 B2 5/2008 Chang  
 D591,271 S \* 4/2009 Lindackers ..... D14/218  
 8,485,486 B2 7/2013 Riedel et al.  
 8,727,413 B2 5/2014 Seiller et al.  
 8,789,954 B1 7/2014 Atkins et al.

8,910,990 B1 12/2014 Oldani et al.  
 D724,003 S \* 3/2015 Fonseca ..... D12/418  
 D731,294 S \* 6/2015 Swan ..... D8/356  
 D739,711 S \* 9/2015 Thompson ..... D8/356  
 D756,891 S \* 5/2016 Roth ..... D12/418  
 9,403,489 B2 8/2016 Angeletti et al.  
 D773,380 S \* 12/2016 Meissner ..... D12/415  
 D790,759 S \* 6/2017 Chinchon ..... D26/138  
 D804,473 S \* 12/2017 Moon ..... D14/371  
 D829,715 S \* 10/2018 Winston ..... D14/371  
 D833,389 S \* 11/2018 Dunham ..... D13/108  
 D834,015 S \* 11/2018 Case ..... D14/371  
 D865,415 S \* 11/2019 Zhu ..... D6/682  
 2002/0005917 A1 1/2002 Rosen  
 2002/0149708 A1 10/2002 Nagata et al.  
 2006/0097537 A1 5/2006 Schedivy  
 2009/0015731 A1 \* 1/2009 Nagami ..... B60R 11/0235  
 348/837  
 2011/0090411 A1 \* 4/2011 Finneman ..... B60R 11/0235  
 348/837  
 2011/0133028 A1 6/2011 Riedel et al.  
 2012/0230047 A1 9/2012 Smith et al.  
 2012/0320508 A1 12/2012 Riedel et al.  
 2013/0043779 A1 2/2013 Fan  
 2013/0182196 A1 \* 7/2013 Chen ..... B60R 11/0223  
 348/837  
 2017/0129417 A1 \* 5/2017 Moyer ..... B60R 11/0235  
 2018/0234825 A1 \* 8/2018 Rochau ..... B64F 5/40

FOREIGN PATENT DOCUMENTS

DE 10 2011 077 344 B4 7/2015  
 KR 300565062.0000 \* 6/2010  
 WO 99/00976 1/1999

\* cited by examiner



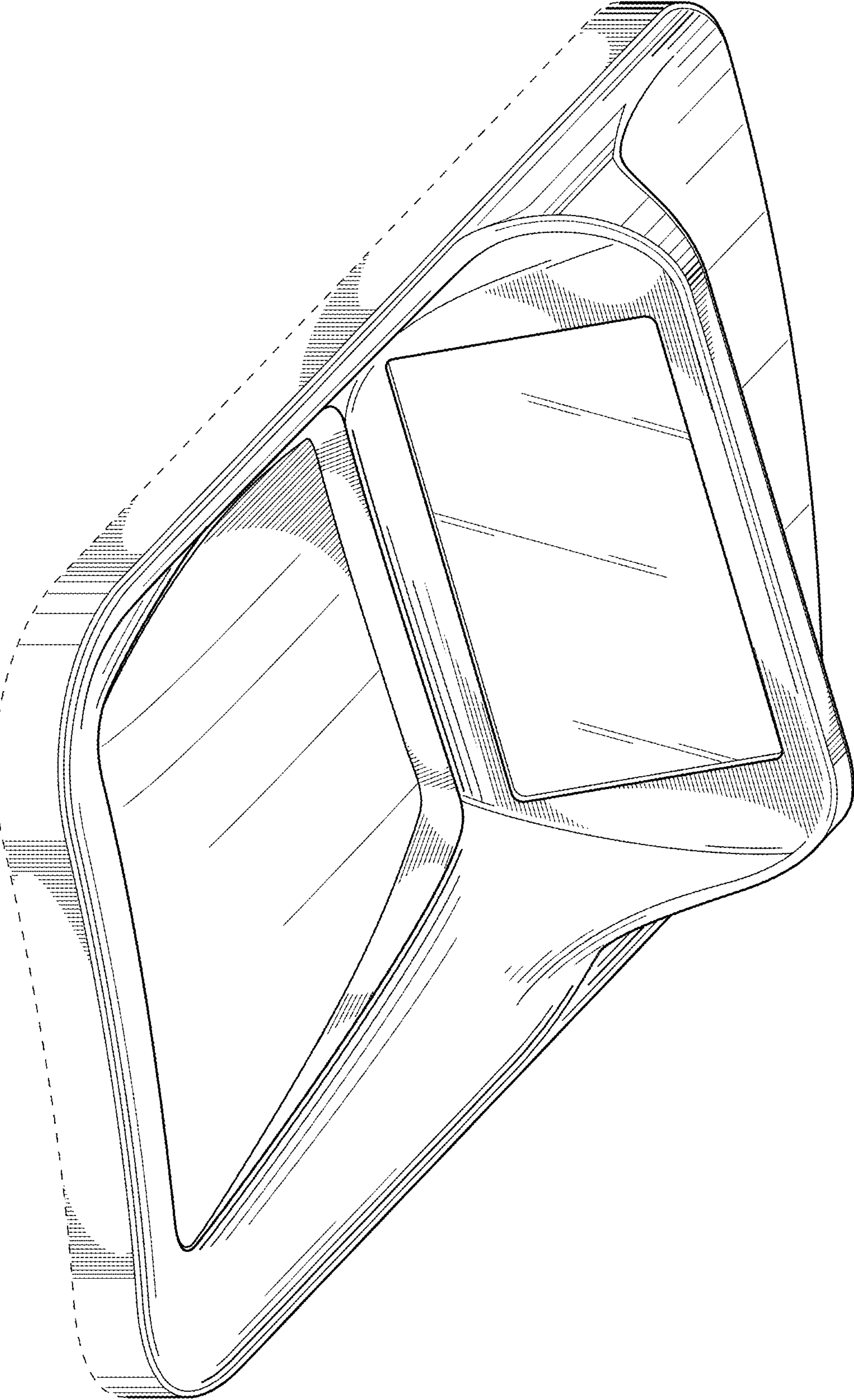


FIG. 1

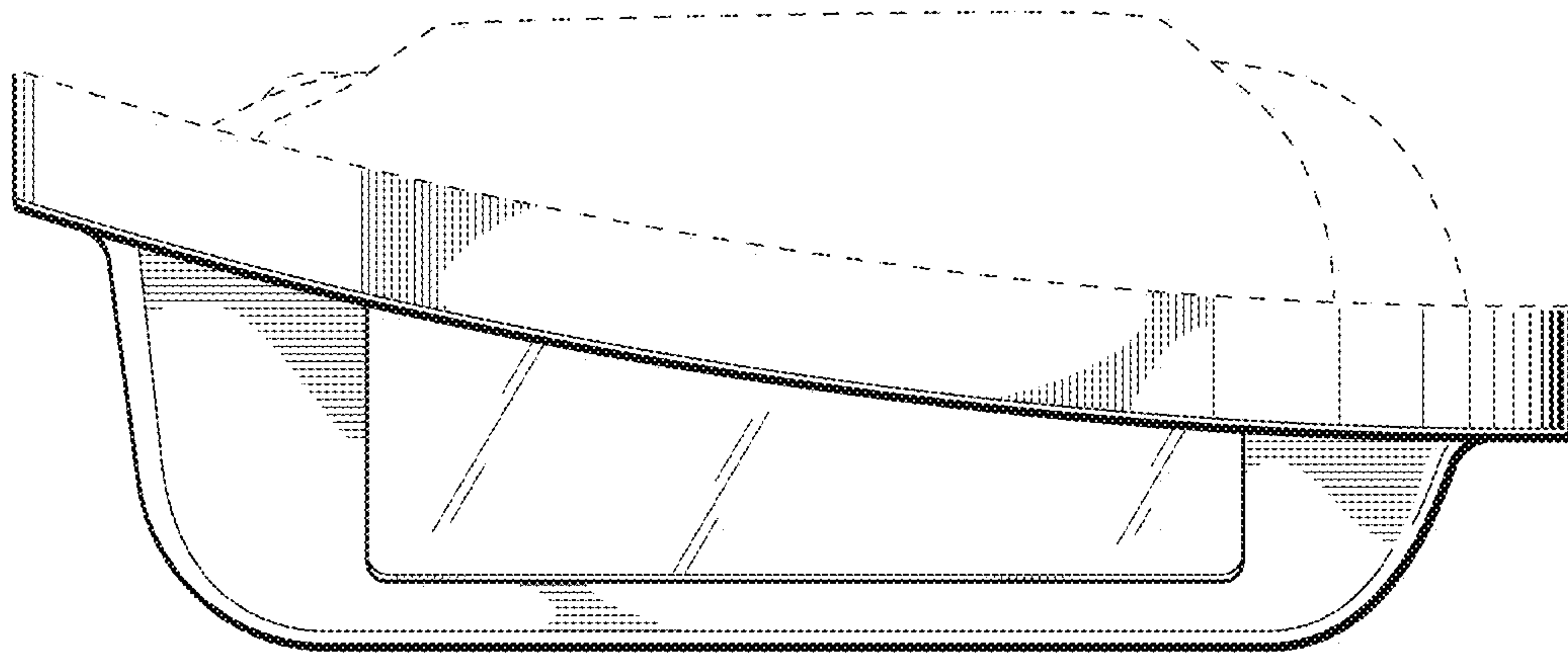


FIG. 2

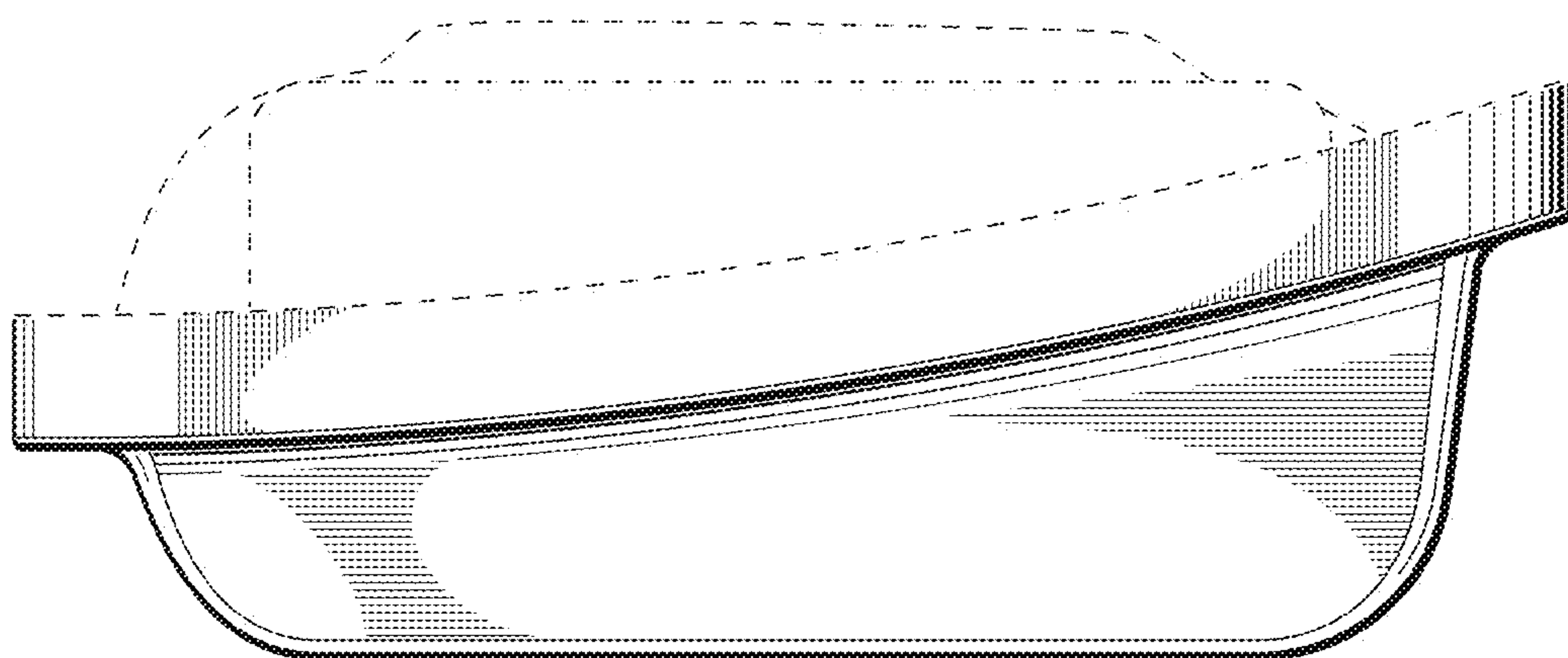


FIG. 3

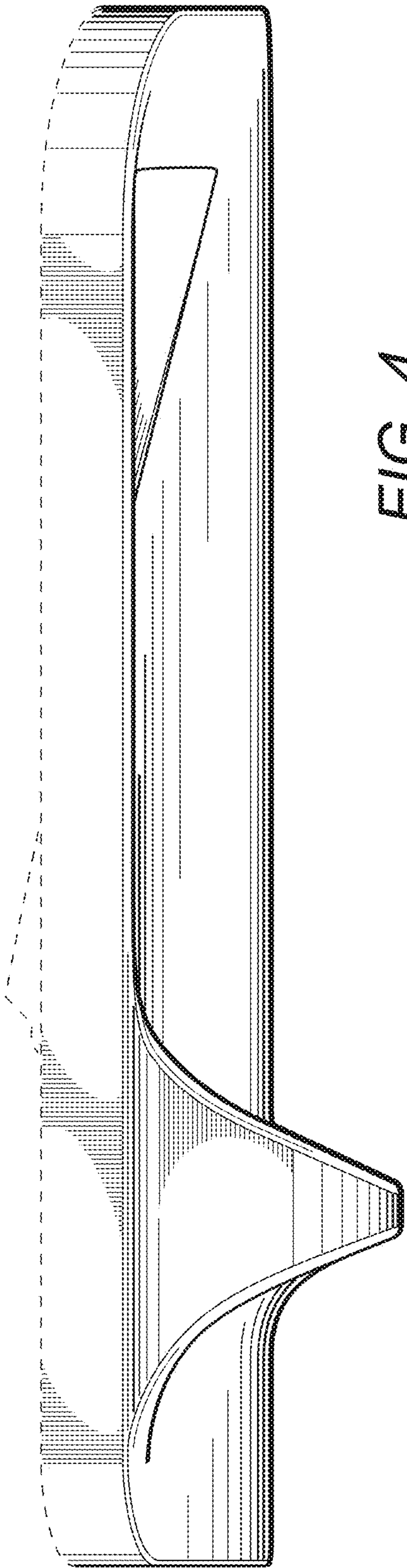


FIG. 4

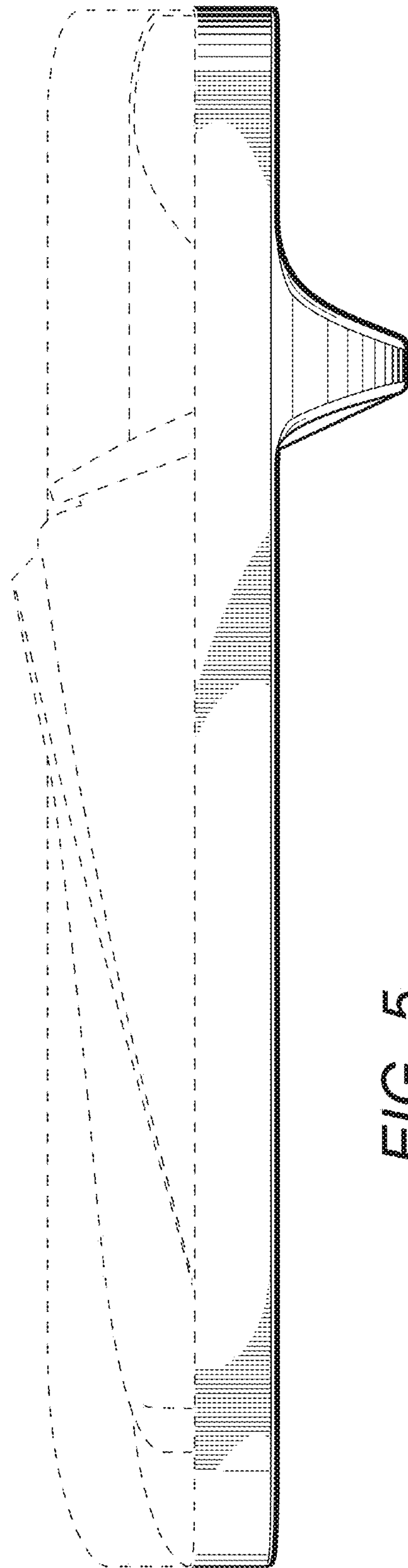


FIG. 5



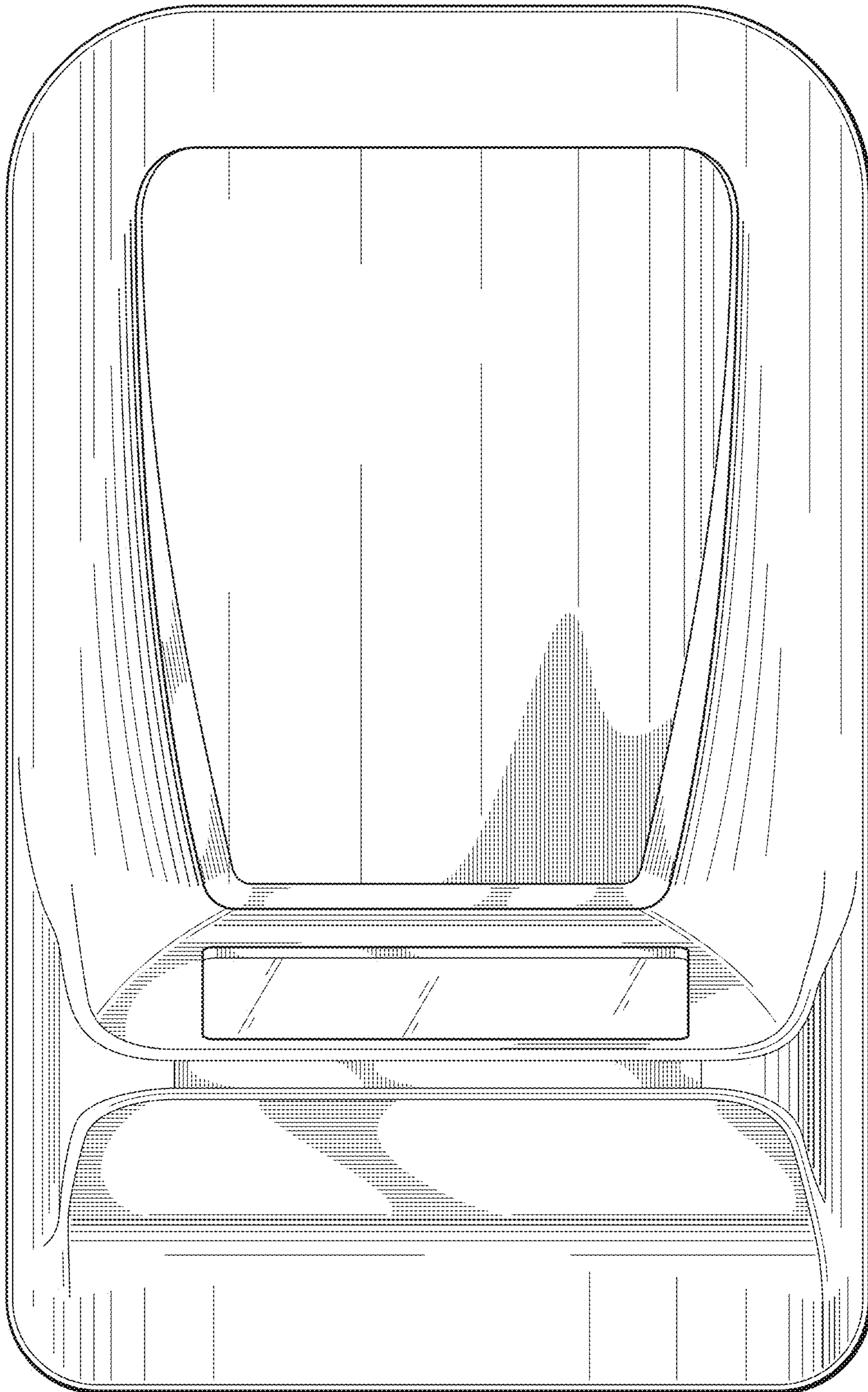


FIG. 6