



US00D893472S

(12) **United States Design Patent**
Chen

(10) **Patent No.:** **US D893,472 S**

(45) **Date of Patent:** **** Aug. 18, 2020**

(54) **ALL-IN-ONE COMPUTER**

FOREIGN PATENT DOCUMENTS

(71) Applicant: **Lenovo (Beijing) Co., Ltd.**, Beijing (CN)

CN 304301357 * 9/2017

(72) Inventor: **Xi Chen**, Beijing (CN)

OTHER PUBLICATIONS

(73) Assignee: **Lenovo (Beijing) Co., Ltd.**, Beijing (CN)

Amazon. Link: https://www.amazon.com/Lenovo-520-23-8-A12-8GB/dp/B076V368JJ/ref=sr_1_3?keywords=Lenovo%C2%AE+IdeaCentre%E2%84%A2+520+All-In-One+PC&qid=1568726804&sr=8-3. Oct. 26, 2017. Lenovo Ideacentre AIO 520-24AST 23.8in All-in-One Desktop Computer. (Year: 2017).*

(**) Term: **15 Years**

Amazon. Link: https://www.amazon.com/dp/B07PVDCTGG/ref=psdc_13896603011_t5_B076V368JJ. Mar. 20, 2019. 2019 Lenovo Ideacentre Business 520 23.8" Touchscreen FHD(1920x1080) All-in-One Desktop PC. (Year: 2019).*

(21) Appl. No.: **29/652,009**

(22) Filed: **Oct. 19, 2018**

(30) **Foreign Application Priority Data**

* cited by examiner

Apr. 20, 2018 (CN) 2018 3 0167548

(51) **LOC (12) Cl.** **14-02**

Primary Examiner — Lauren D McVey

(52) **U.S. Cl.**
USPC **D14/336**

(74) *Attorney, Agent, or Firm* — Oppedahl Patent Law Firm LLC

(58) **Field of Classification Search**
USPC D14/336, 337, 341, 371–377, 126, 127,
D14/128, 129, 447–452

(57) **CLAIM**

CPC G06F 1/1601; G06F 1/1605; G06F 1/162
See application file for complete search history.

The ornamental design for an all-in-one computer, as shown and described.

(56) **References Cited**

DESCRIPTION

U.S. PATENT DOCUMENTS

FIG. 1 is a front elevation view of an all-in-one computer showing my new design;

D539,797 S *	4/2007	Chiang	D14/337
D638,014 S *	5/2011	Chong	D14/336
D638,015 S *	5/2011	Chong	D14/336
D639,804 S *	6/2011	Hwang	D14/341
D678,874 S *	3/2013	Quijano	D14/337
D711,371 S *	8/2014	Chen	D14/341
D763,252 S *	8/2016	Lee	D14/341
D767,563 S *	9/2016	Satzger	D14/341
D803,829 S *	11/2017	Lee	D14/341
D841,002 S *	2/2019	Akana	D14/341
D848,999 S *	5/2019	Akana	D14/341
D855,611 S *	8/2019	Thetard	D14/336
D856,322 S *	8/2019	Huebner	D14/341

FIG. 2 is a rear elevation view thereof;

FIG. 3 is a left side elevation view thereof;

FIG. 4 is a right side elevation view thereof;

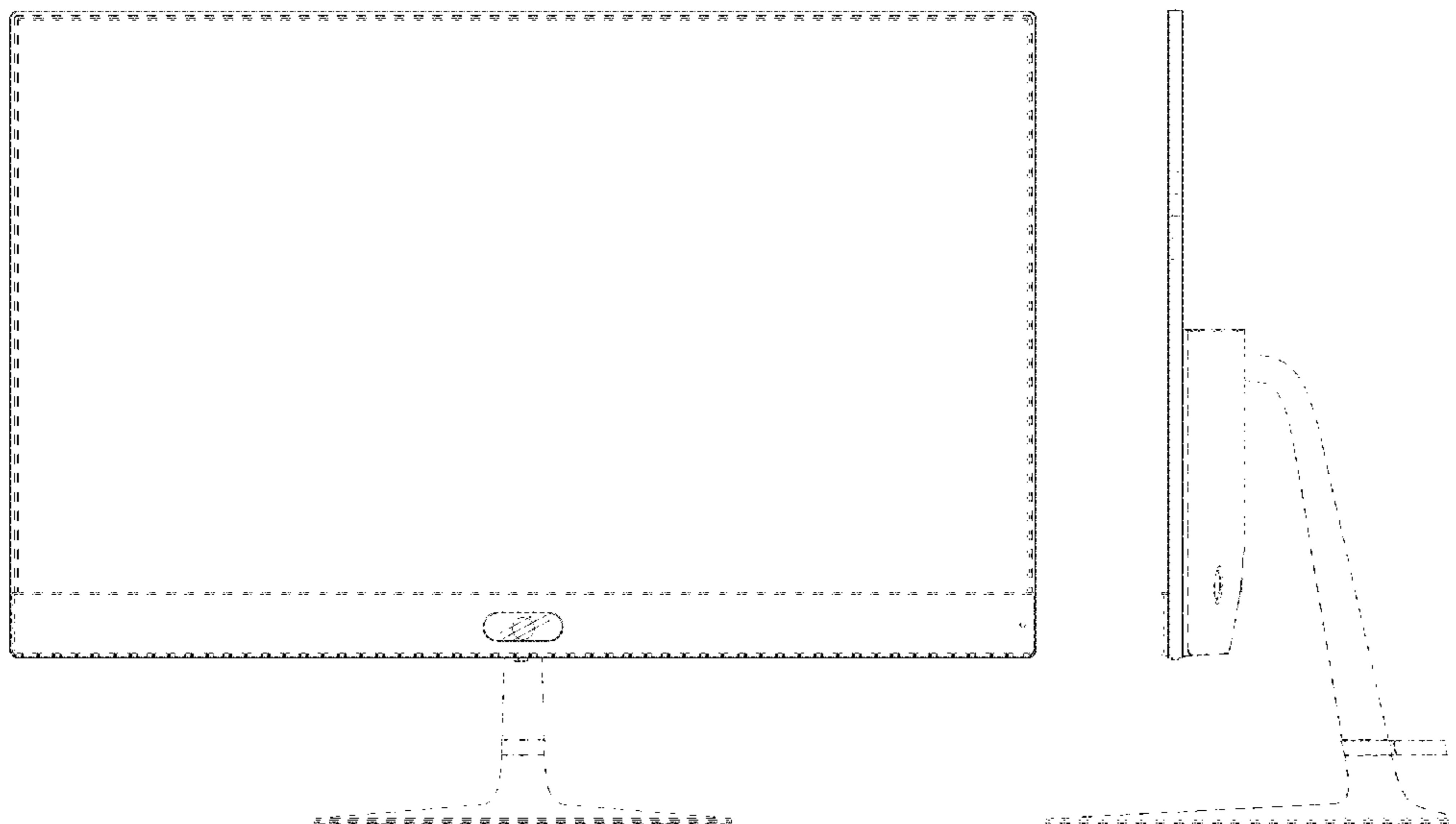
FIG. 5 is a top plan view thereof;

FIG. 6 is a bottom plan view thereof; and,

FIG. 7 is a front perspective view thereof.

The broken lines depict environment and form no part of the claimed design. In addition, the unshaded surfaces that directly adjoin the claimed solid line edges form no part of the claimed design.

1 Claim, 7 Drawing Sheets



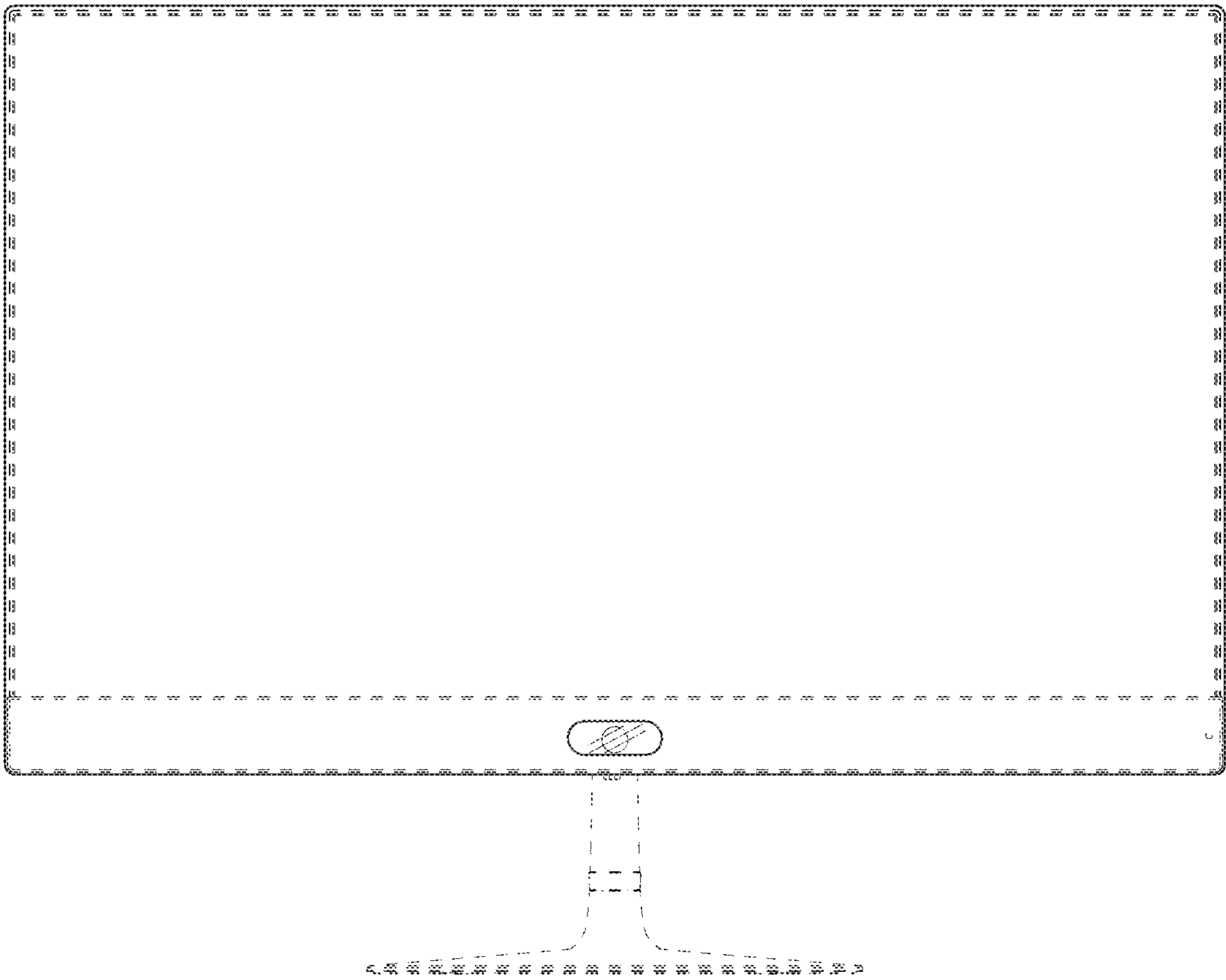


Fig. 1

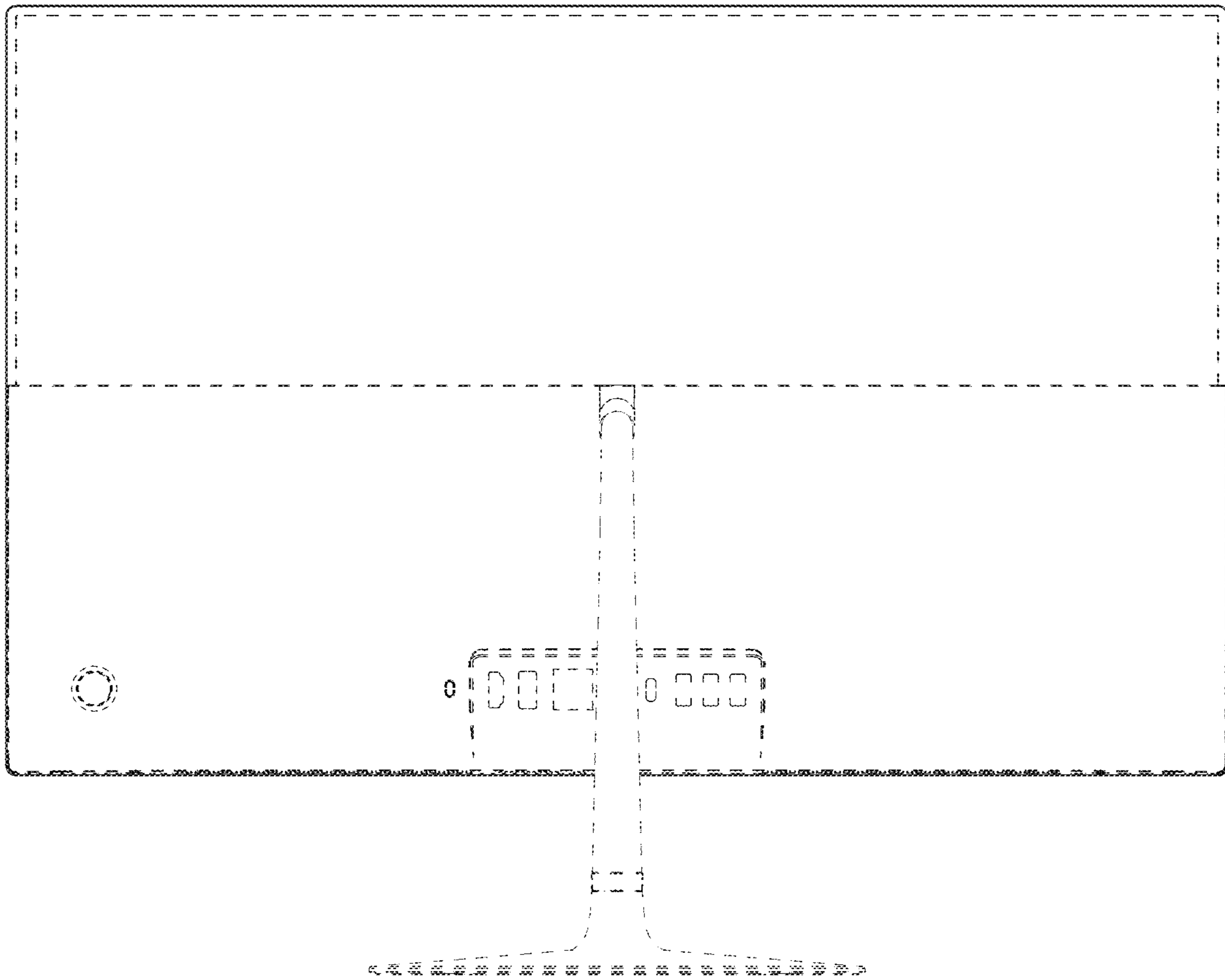


Fig. 2

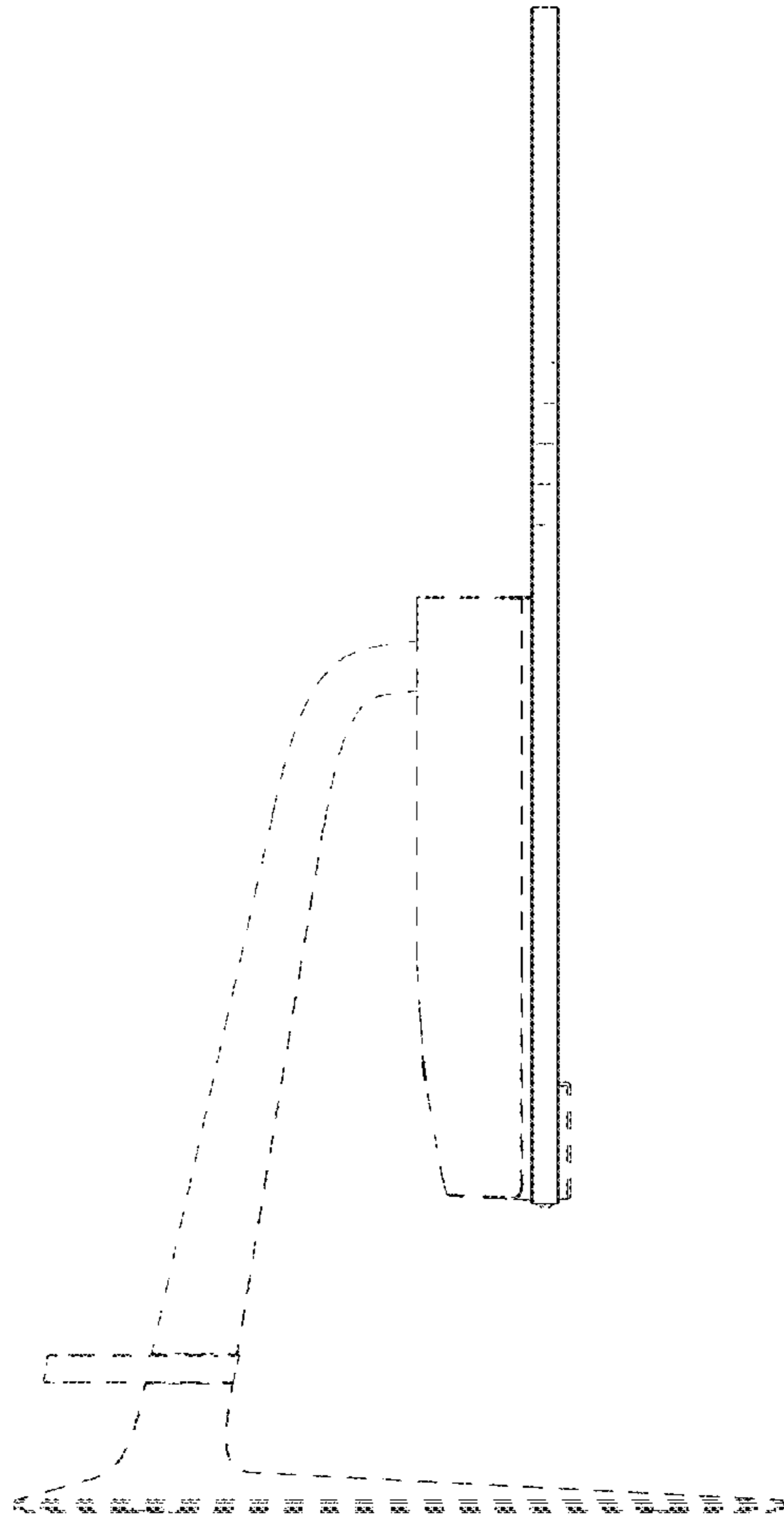


Fig. 3

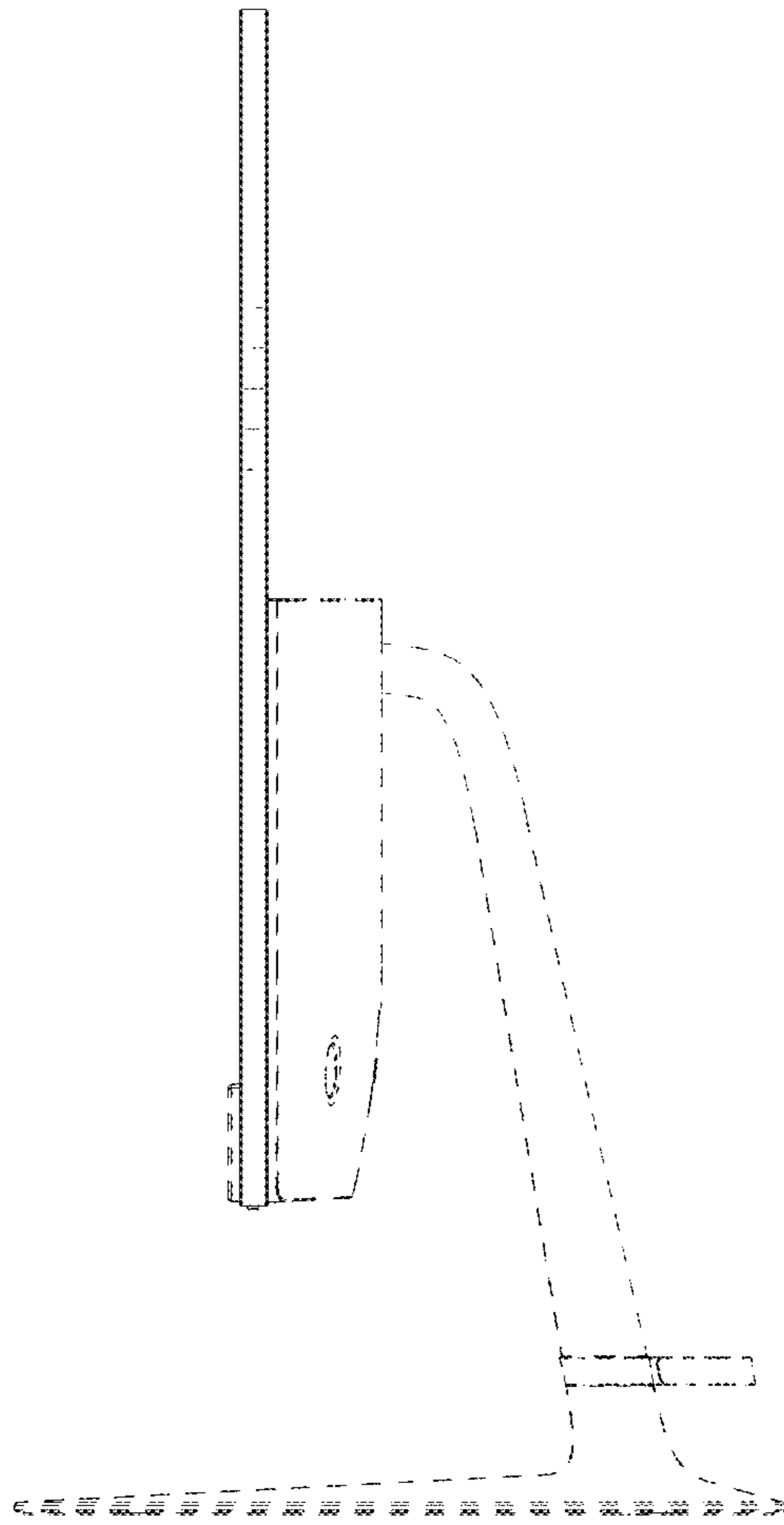


Fig. 4

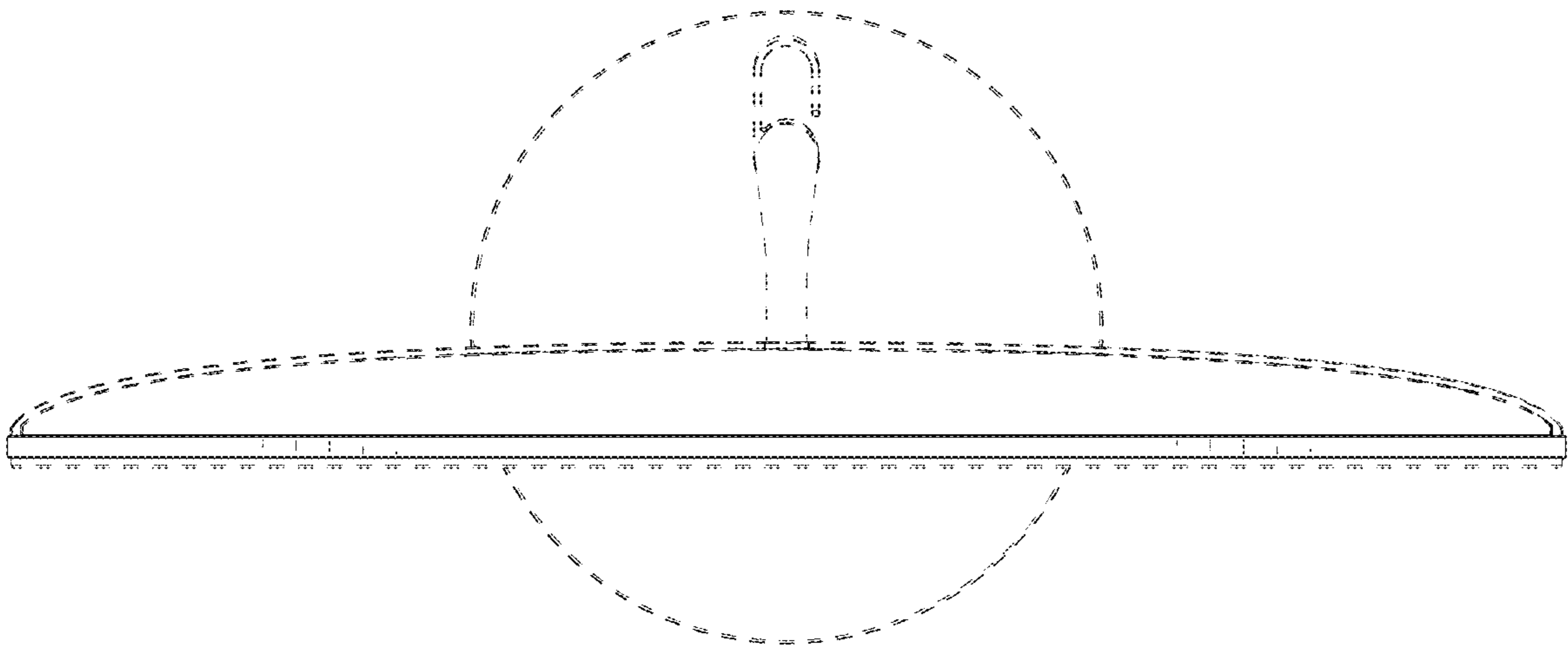


Fig. 5

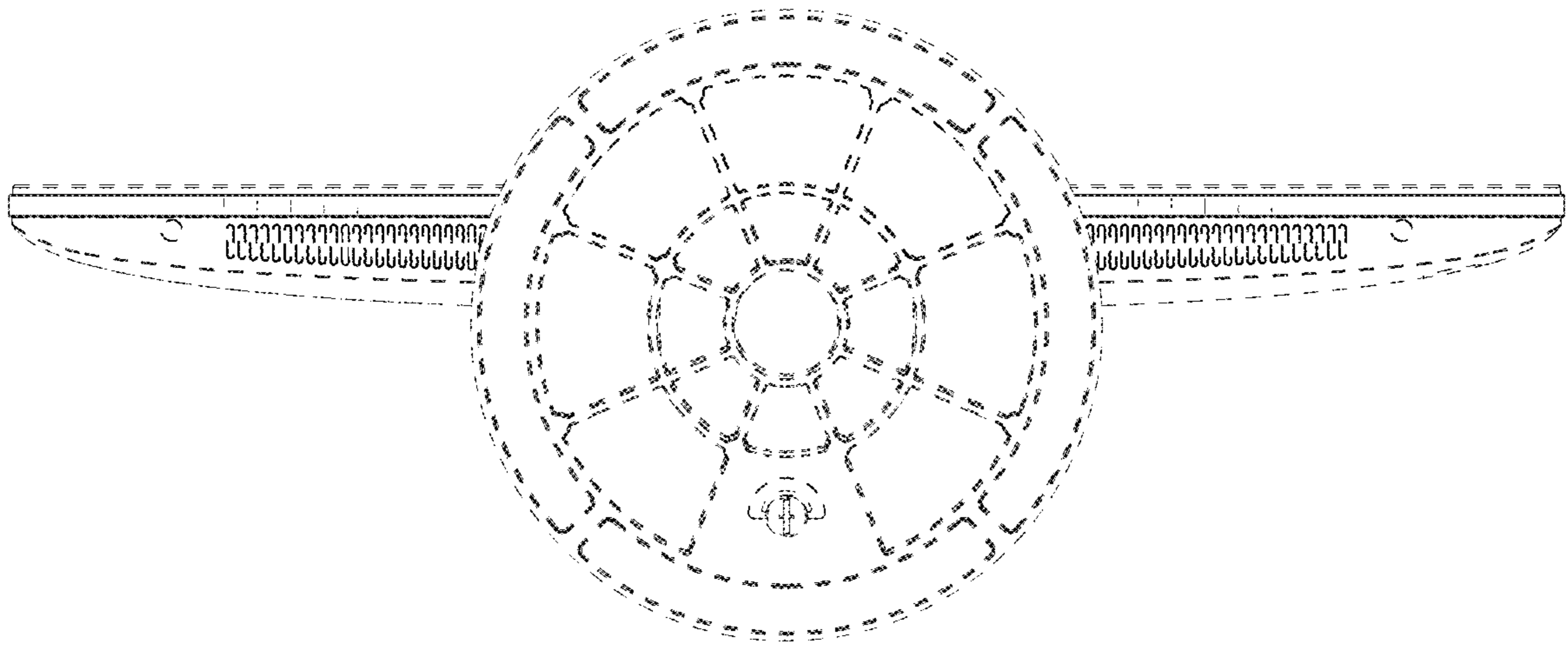


Fig. 6

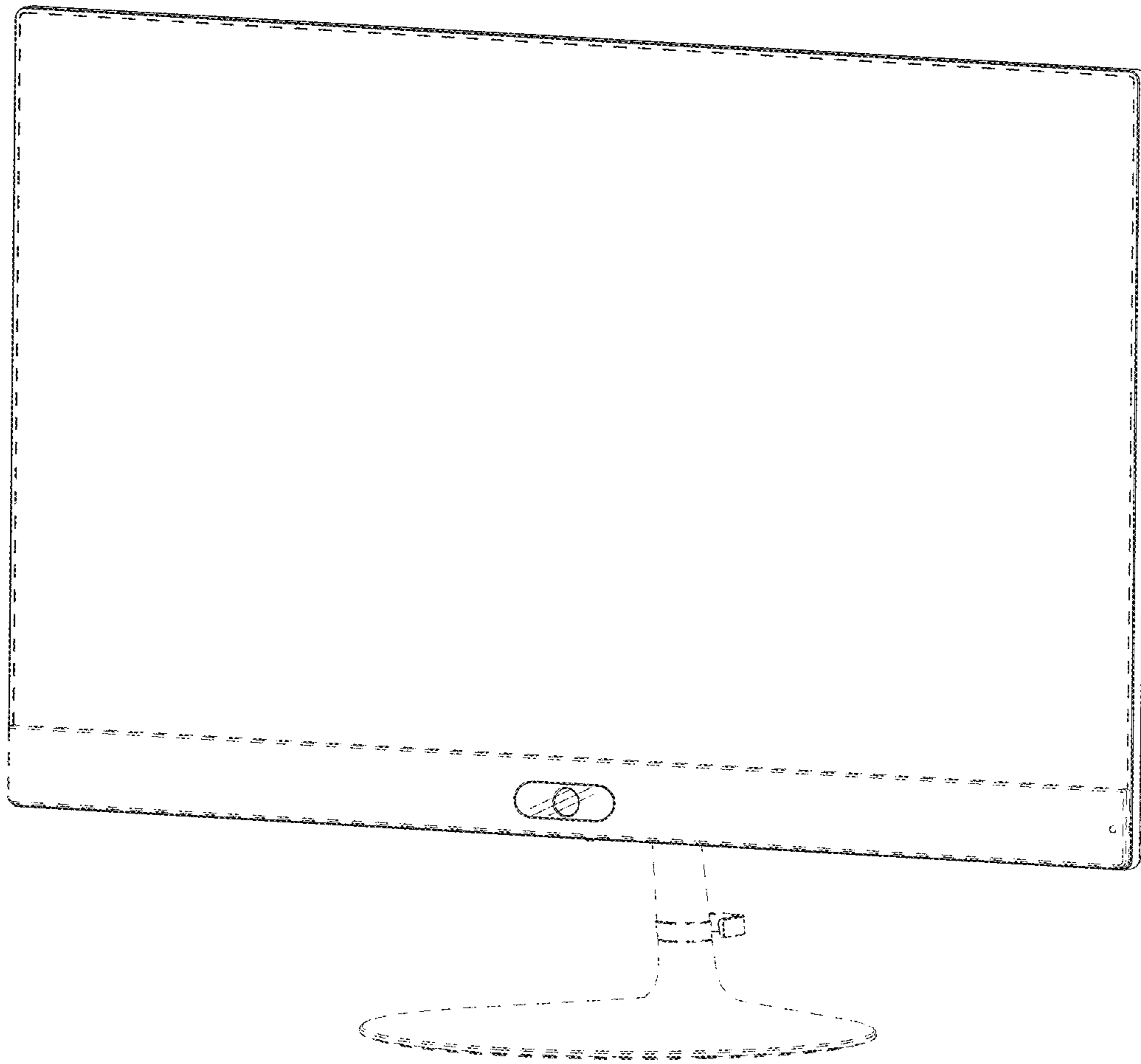


Fig. 7