



US00D893471S

(12) **United States Design Patent**  
**Liao**

(10) **Patent No.:** **US D893,471 S**

(45) **Date of Patent:** **\*\* Aug. 18, 2020**

(54) **CAR PHONE MOUNT HOLDER**

(71) Applicant: **Gopod Group Ltd.**,  
Shenzhen/Guangdong (CN)

(72) Inventor: **Zhuowen Liao**, Shenzhen (CN)

(73) Assignee: **GUANGDONG GOPOD GROUP HOLDING CO., LTD.**, Shenzhen (CN)

(\*\*) Term: **15 Years**

(21) Appl. No.: **29/686,764**

(22) Filed: **Apr. 8, 2019**

(30) **Foreign Application Priority Data**

Apr. 1, 2019 (CN) ..... 2019 3 0142263

(51) **LOC (12) Cl.** ..... **14-03**

(52) **U.S. Cl.**  
USPC ..... **D14/253; D12/415**

(58) **Field of Classification Search**  
USPC ..... D12/400, 415; D14/251-253, 447, 452;  
D3/218; D8/349, 363; D6/656.11,  
D6/656.12, 656.13, 656.15, 656.16, 655,  
D6/655.1, 675.1

CPC ..... H04M 1/02; H04M 1/04; B60R 11/02;  
F16M 11/00; F16M 11/04; F16M 11/06  
See application file for complete search history.

(56) **References Cited**

**U.S. PATENT DOCUMENTS**

- D690,707 S \* 10/2013 Minn ..... B60R 11/0241  
D14/447
- D720,759 S \* 1/2015 Deng ..... D14/447
- D733,115 S \* 6/2015 Aspinall ..... D14/253
- D750,633 S \* 3/2016 Minn ..... D14/447
- D757,705 S \* 5/2016 Esses ..... D14/251
- D765,651 S \* 9/2016 Liu ..... D14/253
- D767,556 S \* 9/2016 Lee ..... D12/415
- D768,125 S \* 10/2016 Kim ..... D14/253

- D780,168 S \* 2/2017 Du ..... D14/253
- D782,462 S \* 3/2017 Huang ..... D14/253
- D783,012 S \* 4/2017 Lee ..... D14/253
- D783,592 S \* 4/2017 Ju ..... D14/253

(Continued)

**FOREIGN PATENT DOCUMENTS**

JP D1649506 \* 8/2019

**OTHER PUBLICATIONS**

Techorbits Universal Air Vent Car Phone Holder, TechOrbits.com, [online], [site visited Jun. 23, 2020]. <URL: <http://www.techorbits.com/home-office-solutions/techorbits-universal-air-vent-car-phone-holder-compatible-with-apple-iphone-samsung-galaxy-lg-htc-google-cell-phones-360-degree-rotating>> (Year: 2020).\*

(Continued)

*Primary Examiner* — T Chase Nelson

*Assistant Examiner* — Jonathan J. Han

(74) *Attorney, Agent, or Firm* — Dorsey & Whitney LLP

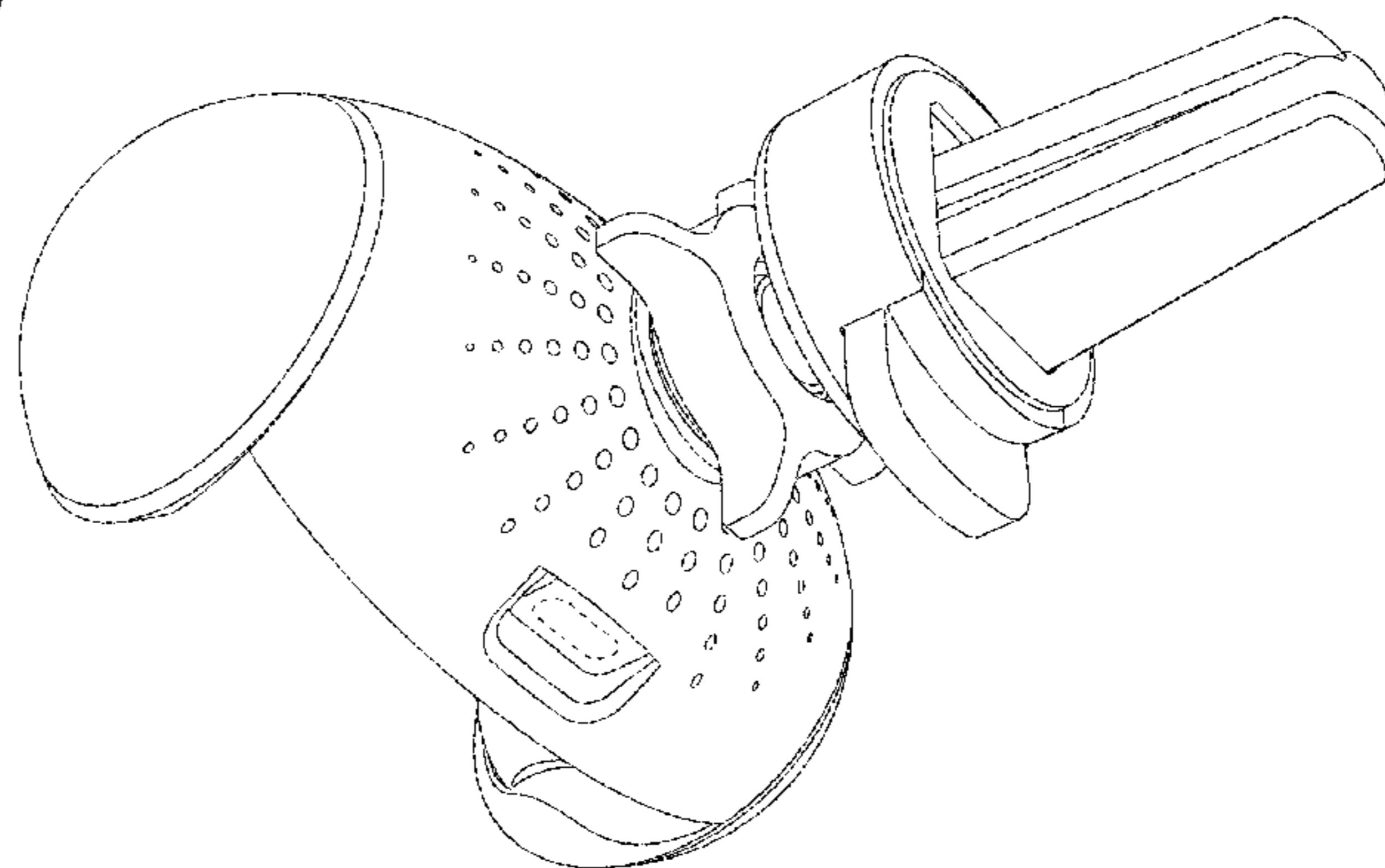
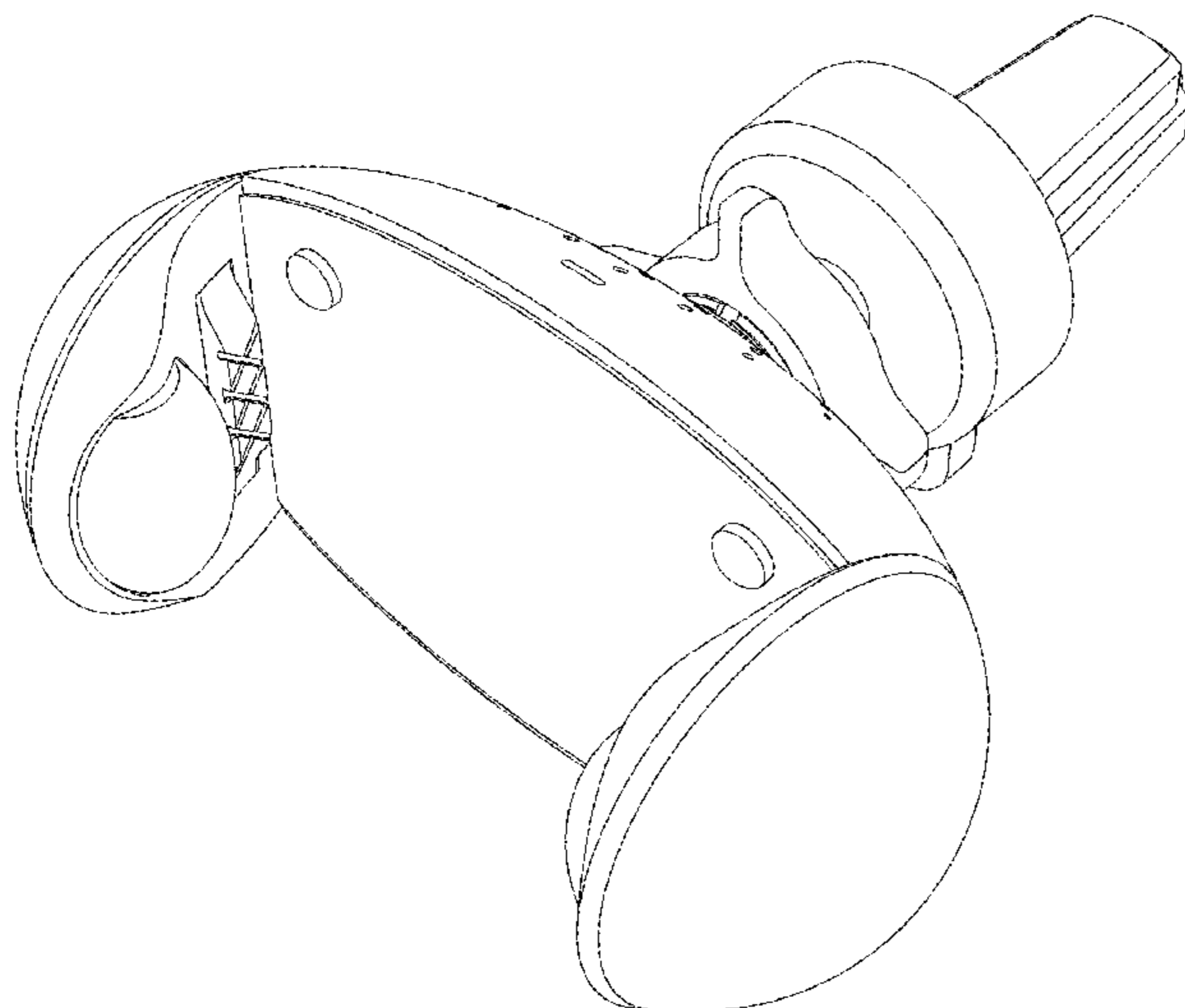
(57) **CLAIM**

The ornamental design for a car phone mount holder, as shown and described.

**DESCRIPTION**

FIG. 1 is a top view of a car phone mount holder showing my new design;  
FIG. 2 is a bottom view thereof;  
FIG. 3 is a left side view thereof;  
FIG. 4 is a right side view thereof;  
FIG. 5 is a front view thereof;  
FIG. 6 is a rear view thereof;  
FIG. 7 is a top, rear, right side perspective view thereof; and,  
FIG. 8 is a bottom, front, right side perspective view thereof.  
The broken lines shown in the drawings illustrate portions of the car phone mount holder that form no part of the claimed design

**1 Claim, 8 Drawing Sheets**



(56)

**References Cited**

U.S. PATENT DOCUMENTS

D783,593 S \* 4/2017 Chen ..... D14/253  
 D796,421 S \* 9/2017 Huang ..... D12/415  
 D799,466 S \* 10/2017 Sukphist ..... D14/253  
 D823,846 S \* 7/2018 Chen ..... D14/251  
 D826,225 S \* 8/2018 Chen ..... D14/253  
 D831,660 S \* 10/2018 Yao ..... D14/447  
 D831,661 S \* 10/2018 Yao ..... D14/447  
 D832,247 S \* 10/2018 Sukphist ..... D14/253  
 10,118,565 B2 \* 11/2018 Kim ..... B60R 11/02  
 D838,267 S \* 1/2019 Zhang ..... D14/253  
 D852,188 S \* 6/2019 He ..... D14/253  
 D858,509 S \* 9/2019 Yao ..... D14/253  
 D859,286 S \* 9/2019 He ..... D12/415  
 D860,190 S \* 9/2019 Liao ..... D14/253  
 D862,454 S \* 10/2019 Chun ..... D14/253  
 D864,092 S \* 10/2019 Zhang ..... D12/415  
 D868,054 S \* 11/2019 Kim ..... D14/253  
 D873,260 S \* 1/2020 Dang ..... D14/253  
 D873,272 S \* 1/2020 Dang ..... D14/447  
 D882,560 S \* 4/2020 Liao ..... D14/253

D883,271 S \* 5/2020 Liao ..... D14/253  
 2014/0138419 A1 \* 5/2014 Minn ..... F16B 2/065  
 224/567  
 2016/0325693 A1 \* 11/2016 Kim ..... F16M 11/041

OTHER PUBLICATIONS

Top 10 Best Car Air Vent Phone Holders in 2020 Reviews | Buyer's Guide, CTopReviews.com, [online], [site visited Jun. 23, 2020]. <URL: <https://www.ctopreviews.com/best-car-air-vent-phone-holders/>> (Year: 2020).\*

Applus Wireless Car Charger, Automatic Sensor Car Phone Holder, Amazon.com, Date First Available: Aug. 21, 2019, [online], [site visited Jun. 23, 2020]. <URL: [https://www.amazon.com/Wireless-Charger-Automatic-Charging-Auto-Clamping/dp/B07WX8XT29/ref=sr\\_1\\_12\\_sspa?crd=20VS2TZYN3BII&dchild](https://www.amazon.com/Wireless-Charger-Automatic-Charging-Auto-Clamping/dp/B07WX8XT29/ref=sr_1_12_sspa?crd=20VS2TZYN3BII&dchild)> (Year: 2019).\*

iOttie Easy One Touch 4 Air Vent Car Mount Phone Holder, Amazon.com, Date First Available: Oct. 9, 2017, [online], [site visited Jun. 23, 2020]. <URL: [https://www.amazon.com/iOttie-Holder-iPhone-Samsung-Smartphone/dp/B076BCHB82/ref=sr\\_1\\_7?dchild=1&keywords=air+vent+phone+holder+mount&qid](https://www.amazon.com/iOttie-Holder-iPhone-Samsung-Smartphone/dp/B076BCHB82/ref=sr_1_7?dchild=1&keywords=air+vent+phone+holder+mount&qid)> (Year: 2017).\*

\* cited by examiner

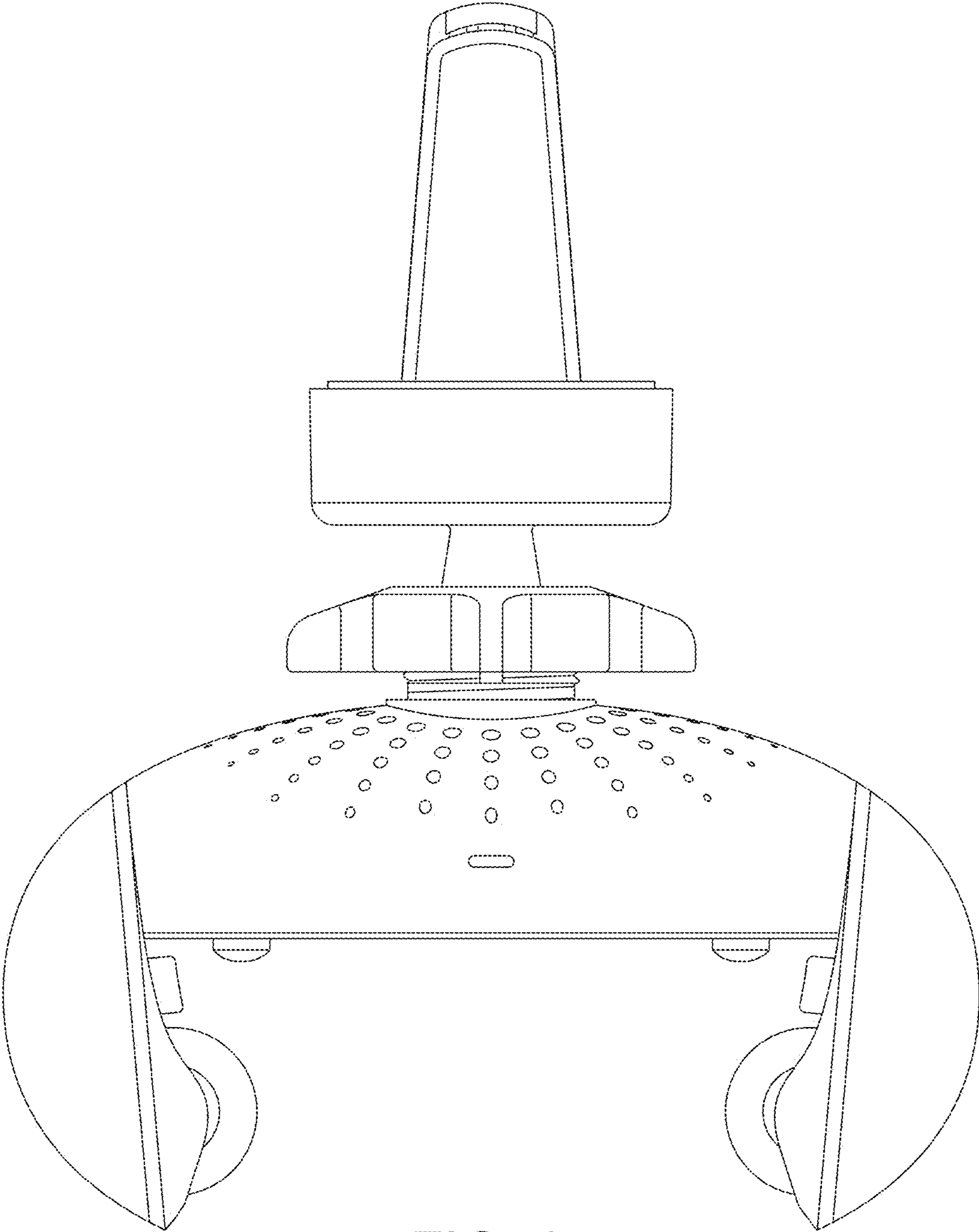


FIG. 1

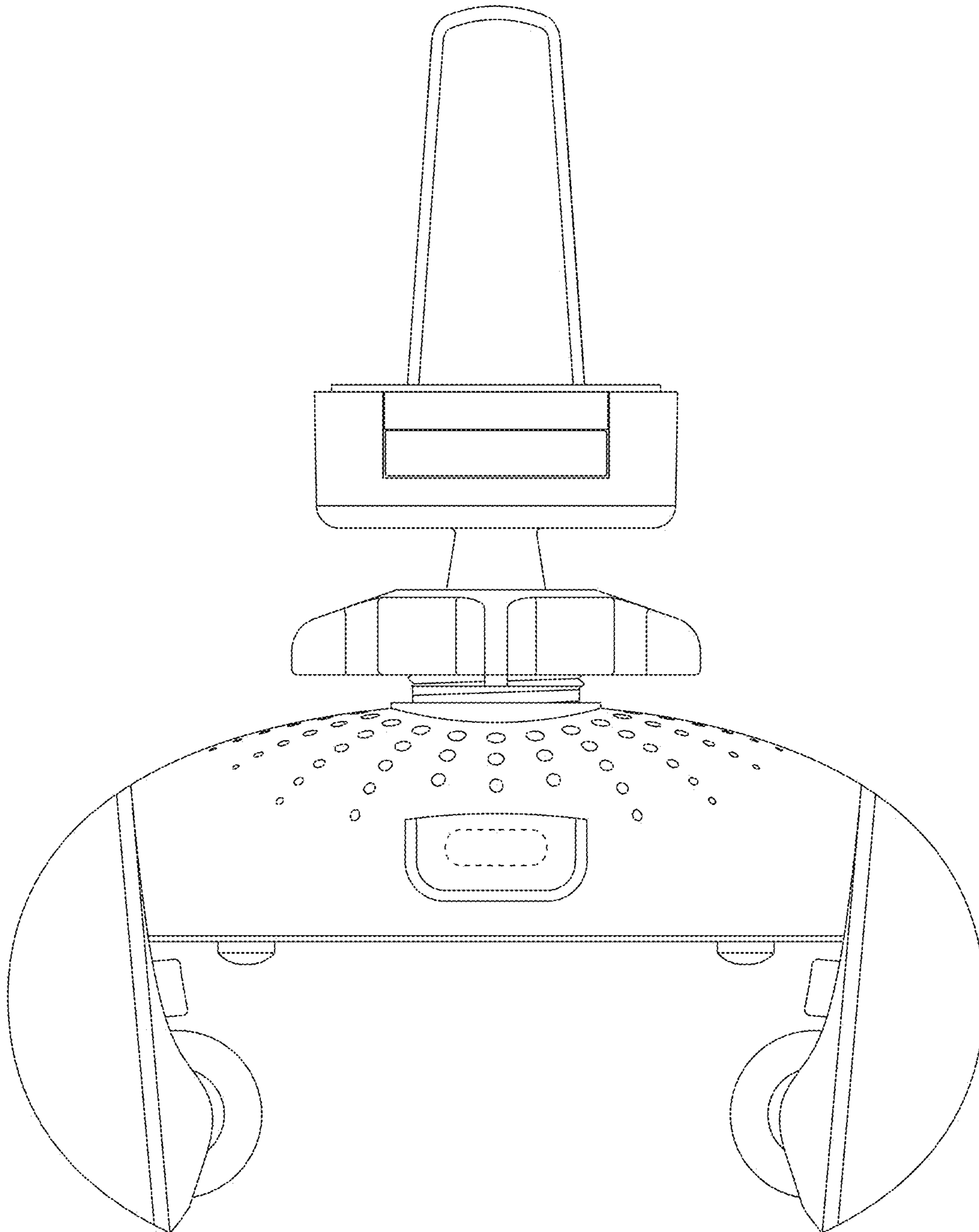


FIG. 2

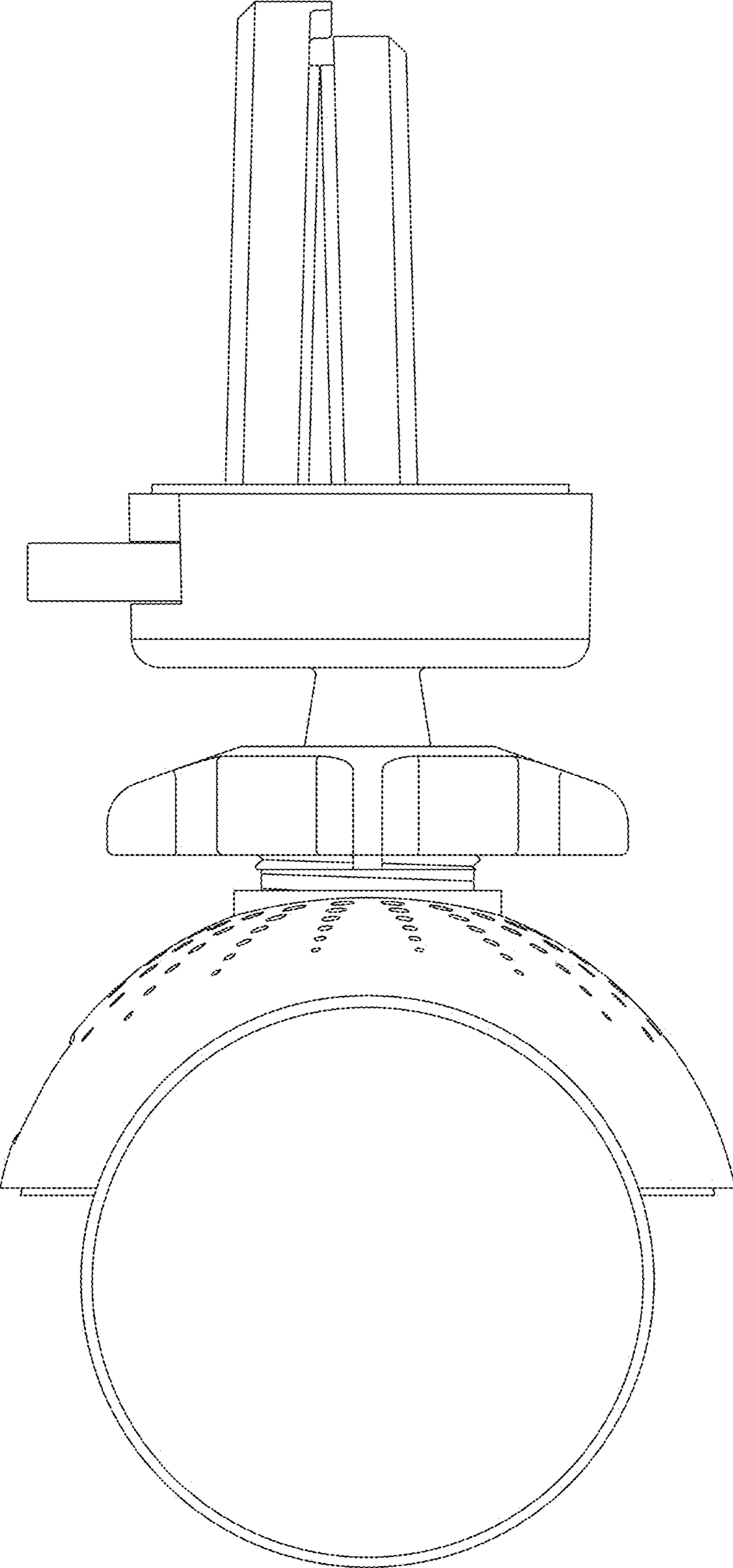


FIG. 3

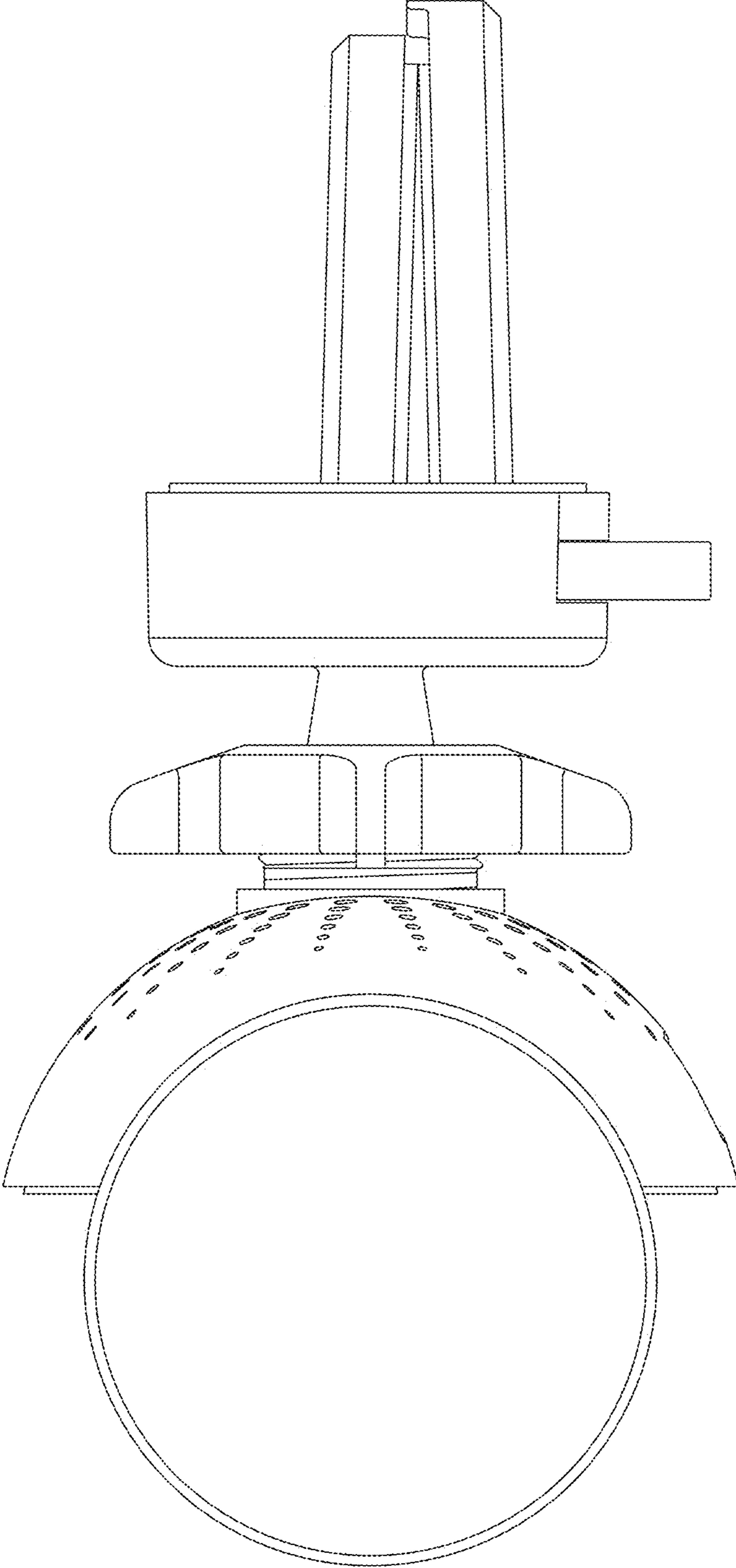


FIG. 4

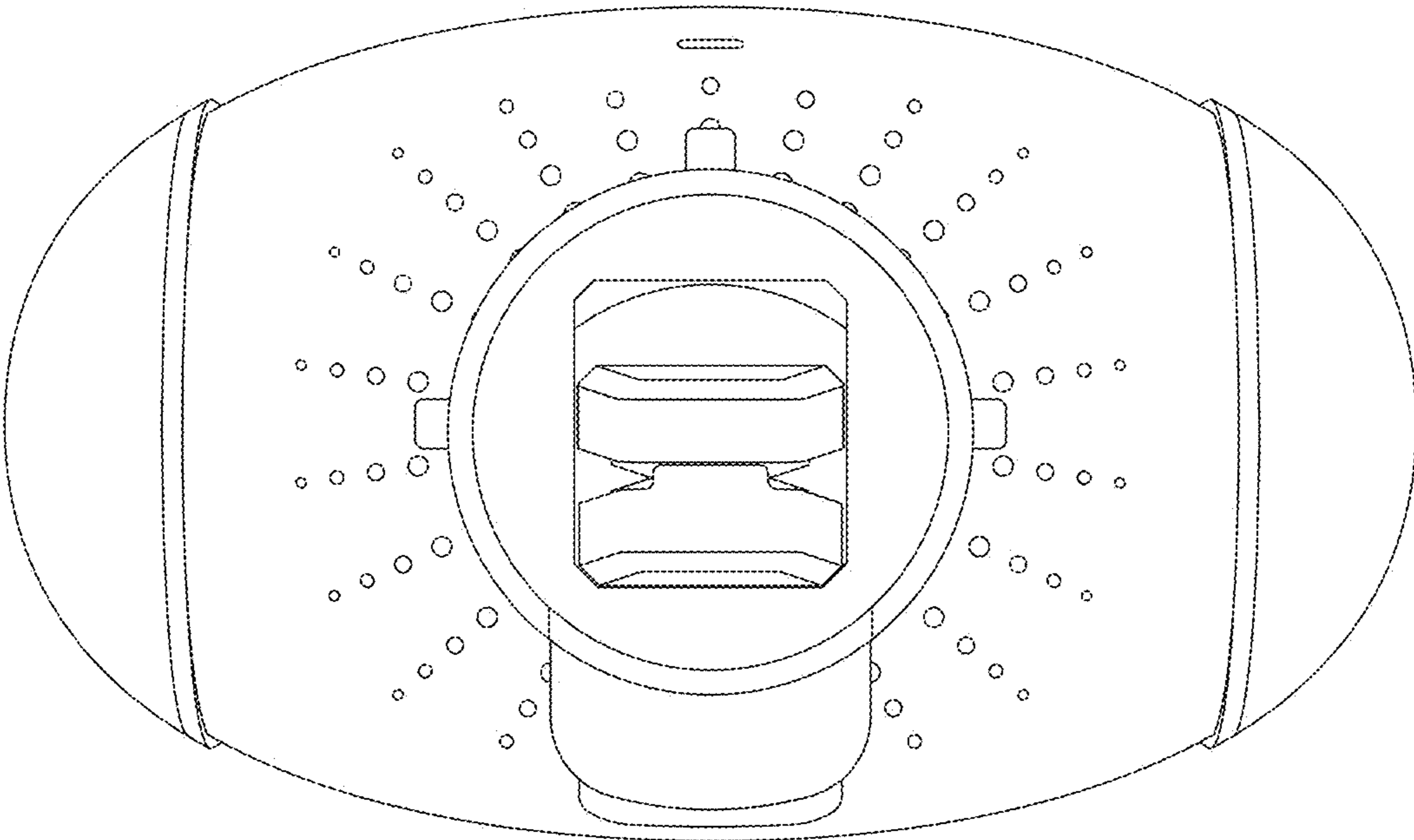


FIG. 5

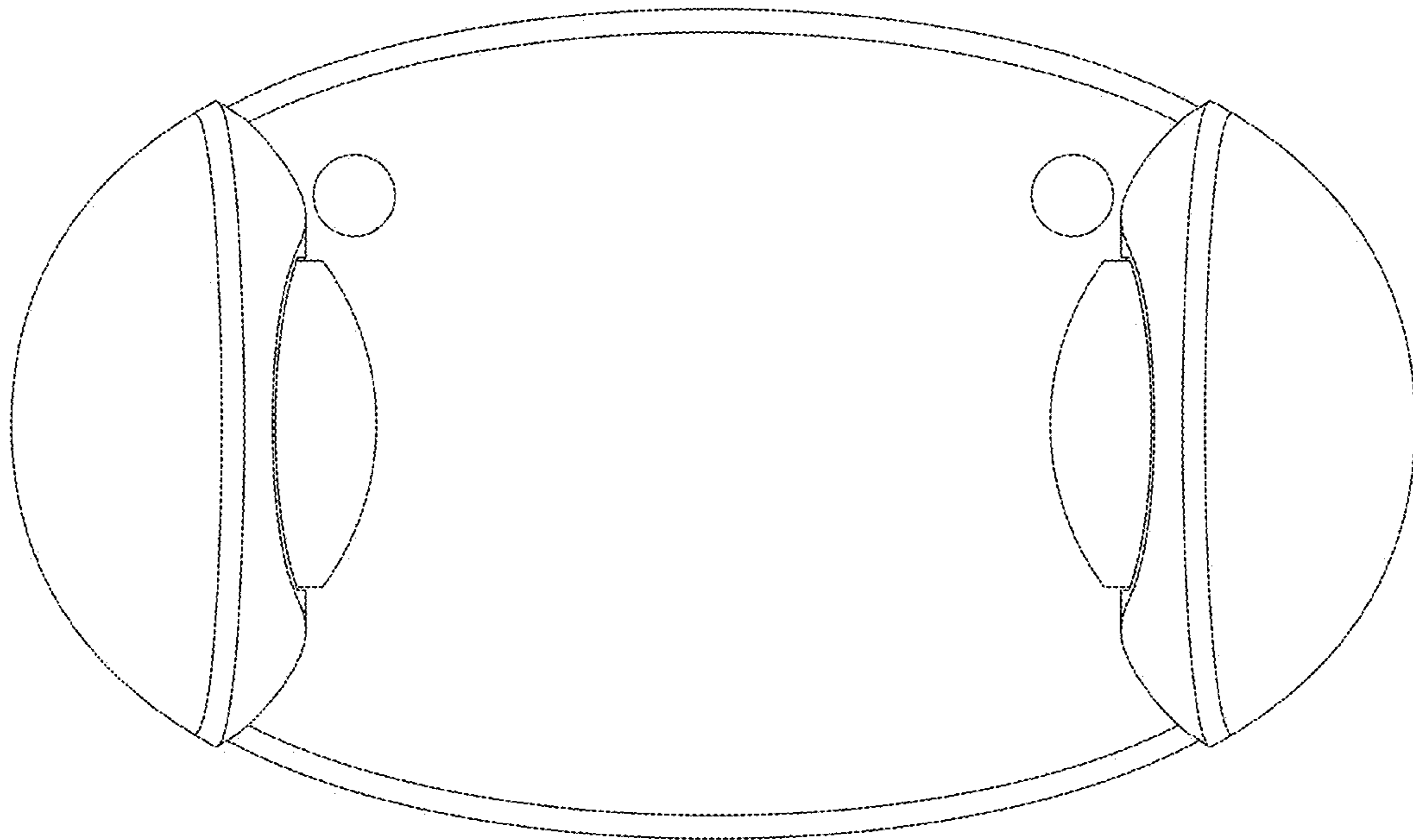


FIG. 6



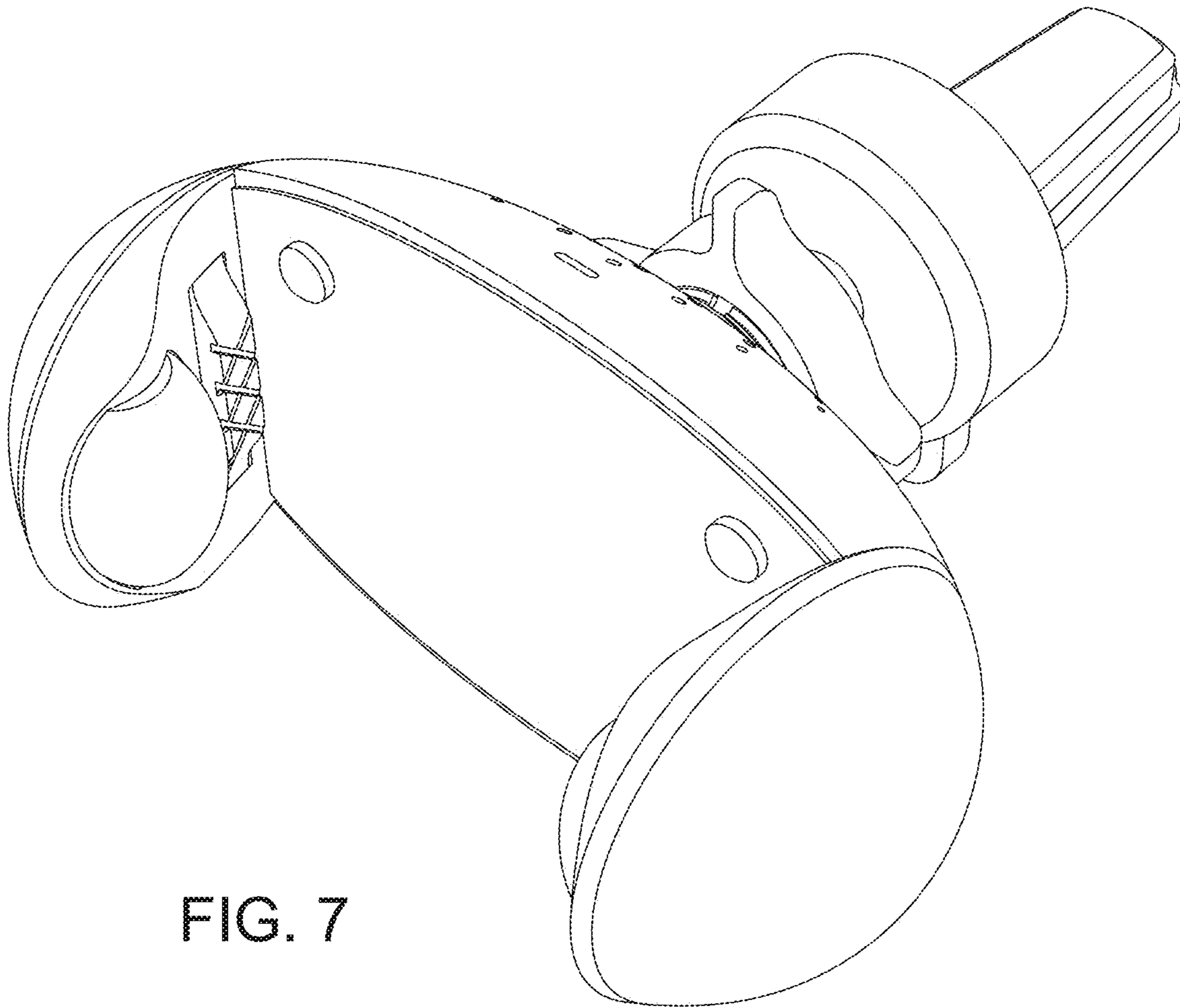


FIG. 7

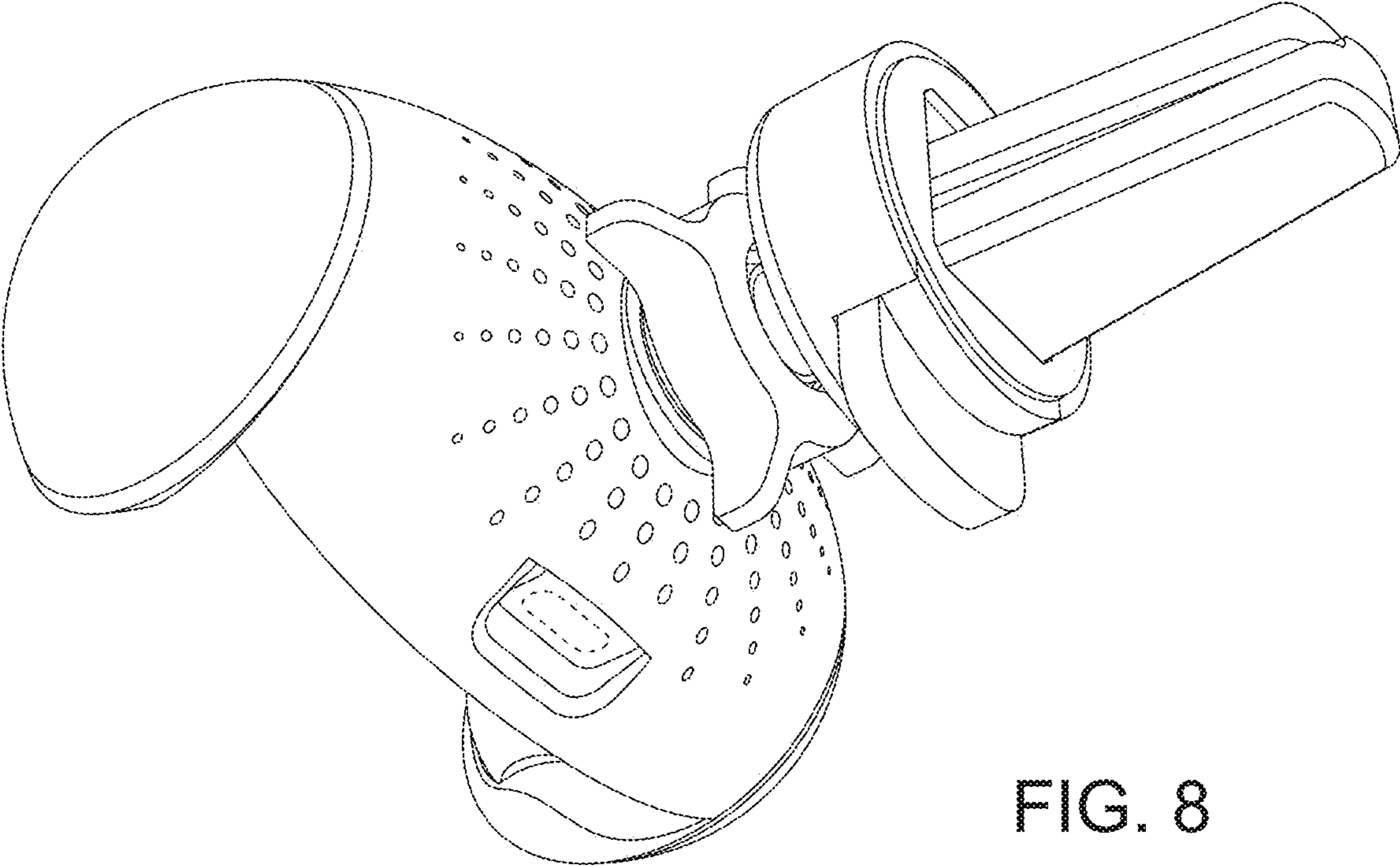


FIG. 8