



US00D893465S

(12) **United States Design Patent**
Kim

(10) **Patent No.:** **US D893,465 S**

(45) **Date of Patent:** **** Aug. 18, 2020**

(54) **PHONE CASE**

DESCRIPTION

(71) Applicant: **Spigen, Inc.**, Irvine, CA (US)

(72) Inventor: **Woojin Kim**, Fullerton, CA (US)

(73) Assignee: **Spigen, Inc.**, Irvine, CA (US)

(**) Term: **15 Years**

(21) Appl. No.: **29/640,469**

(22) Filed: **Mar. 14, 2018**

(51) **LOC (12) Cl.** **14-03**

(52) **U.S. Cl.**
USPC **D14/250**

(58) **Field of Classification Search**

USPC D3/201, 218, 226, 227, 247, 249, 250,
D3/269, 303; D13/103, 107, 108, 119;
(Continued)

(56) **References Cited**

U.S. PATENT DOCUMENTS

D96,015 S * 6/1935 Bruine D5/56
D574,819 S 8/2008 Andre et al.
(Continued)

OTHER PUBLICATIONS

Caseology Parallax Case for Samsung Galaxy S9, Publication date
Feb. 26, 2018, [online][site visited Jun. 26, 2019] URL: <https://www.amazon.com/Caseology-Parallax-Protective-Textured-Geometric/dp/B07B2CS9DP> (Year: 2018).*

(Continued)

Primary Examiner — Susan E Krakower

Assistant Examiner — L. A. Grabenstetter

(74) *Attorney, Agent, or Firm* — Heedong Chae; Lucem,
PC

(57) **CLAIM**

The ornamental design for a phone case, as shown and
described.

FIG. 1 is a top perspective view showing the top, front, and
right sides as well as the inner left interior surface of a first
embodiment of a phone case;

FIG. 2 is a bottom perspective view showing the bottom,
front, and left sides as well as the inner right interior surface
of the first embodiment of the phone case;

FIG. 3 is a further bottom perspective view showing the
bottom, front, and right sides as well as the inner left interior
surface of the first embodiment of the phone case;

FIG. 4 is a further bottom perspective view showing the
bottom, left, and rear sides of the first embodiment of the
phone case;

FIG. 5 is a front elevation view of the first embodiment of
the phone case;

FIG. 6 is a rear elevation view of the first embodiment of the
phone case;

FIG. 7 is a left side elevation view of the first embodiment
of the phone case;

FIG. 8 is a right side elevation view of the first embodiment
of the phone case;

FIG. 9 is a top plan view of the first embodiment of the
phone case;

FIG. 10 is a bottom plan view of the first embodiment of the
phone case;

FIG. 11 is a top perspective view showing the top, front, and
right sides as well as the inner left interior surface of a
second embodiment of the phone case;

FIG. 12 is a bottom perspective view showing the bottom,
front, and left sides as well as the inner right interior surface
of the second embodiment of the phone case;

FIG. 13 is a further bottom perspective view showing the
bottom, front, and right sides as well as the inner left interior
surface of the second embodiment of the phone case;

FIG. 14 is a further bottom perspective view showing the
bottom, left, and rear sides of the second embodiment of the
phone case;

FIG. 15 is a front elevation view of the second embodiment
of the phone case;

FIG. 16 is a rear elevation view of the second embodiment
of the phone case;

FIG. 17 is a left side elevation view of the second embodi-
ment of the phone case;

(Continued)

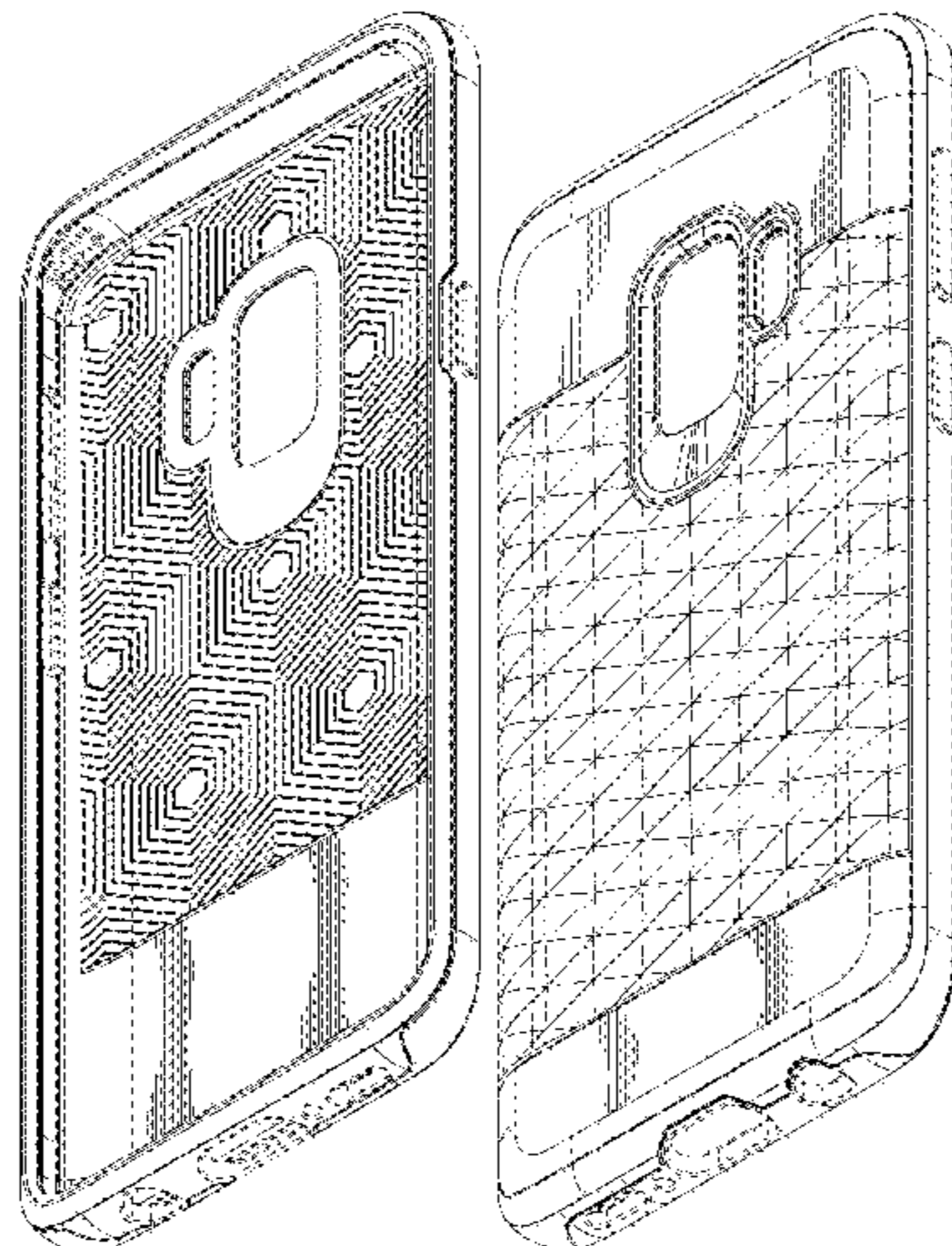


FIG. 18 is a right side elevation view of the second embodiment of the phone case;

FIG. 19 is a top plan view of the second embodiment of the phone case; and,

FIG. 20 is a bottom plan view of the second embodiment of the phone case.

The broken lines in the drawings represent portions of the phone case that form no part of the claimed design.

1 Claim, 20 Drawing Sheets

(58) **Field of Classification Search**

USPC D14/137, 138 R, 138 AA, 138 C, 138 G, D14/172, 192, 203.3–203.7, 217, 238.1, D14/247, 248, 250–253, 434, 440, 447, D14/496
 CPC H04B 1/3888; H04M 1/0283; H04M 1/0202; A45C 1/06; A45C 2011/002; A45C 11/00; A45F 2005/028; A45F 2200/0525

See application file for complete search history.

(56) **References Cited**

U.S. PATENT DOCUMENTS

D609,230 S	2/2010	Ferrari et al.	
D615,077 S	5/2010	Richardson et al.	
D615,536 S	5/2010	Richardson et al.	
D623,639 S	9/2010	Richardson et al.	
D623,640 S	9/2010	Freeman	
D643,029 S	8/2011	Feng	
D643,837 S	8/2011	Smith	
D645,015 S	9/2011	Lee et al.	
D645,834 S	9/2011	Lee et al.	
D662,929 S	7/2012	Fahrendorff et al.	
D671,930 S	12/2012	Akana et al.	
D673,539 S	1/2013	Magness et al.	
D674,789 S	1/2013	Wen	
D679,695 S	4/2013	Fahrendorff et al.	
D694,224 S	11/2013	Wooseung	
D696,238 S	12/2013	Murchison et al.	
D696,240 S	12/2013	Kim et al.	
D703,656 S	* 4/2014	Witter	D14/250
D709,649 S	4/2014	Wikel et al.	
D704,684 S	5/2014	Yeh et al.	
D704,685 S	* 5/2014	Yeh	D14/248
D706,255 S	6/2014	Akana et al.	
D709,869 S	* 7/2014	Witter	D14/250
D714,276 S	9/2014	Hu et al.	
D721,071 S	1/2015	Nelson et al.	
D721,072 S	1/2015	Laffon de Mazieres et al.	
D721,360 S	1/2015	Laffon de Mazieres et al.	
D721,693 S	1/2015	Lee et al.	
D721,694 S	1/2015	Lee et al.	
D729,219 S	* 5/2015	Yung	D14/250
D734,747 S	7/2015	Seo et al.	
D737,259 S	8/2015	Choi	
D739,394 S	9/2015	Rayner et al.	
D740,796 S	10/2015	Kim et al.	
D741,845 S	10/2015	Kim	
D742,869 S	* 11/2015	Odhwani	D14/250
D746,805 S	1/2016	Kim	
D755,167 S	* 5/2016	Chen	D14/248
D756,343 S	5/2016	Wall et al.	
D763,241 S	8/2016	Kim	
D765,627 S	9/2016	Watt	
D765,633 S	9/2016	Northrup et al.	
D765,638 S	9/2016	Gaylord et al.	
D765,645 S	9/2016	Kim	
D767,554 S	9/2016	Bertrand et al.	
D768,123 S	* 10/2016	Armstrong	D14/250
D771,027 S	* 11/2016	Prstojevich	D14/250
D771,612 S	11/2016	Roberts et al.	

D771,613 S	11/2016	Poon et al.	
D773,445 S	12/2016	Witter et al.	
D774,358 S	* 12/2016	Joseph	D7/510
D776,647 S	1/2017	Kim	
D777,157 S	1/2017	Kim	
D777,159 S	1/2017	Lee et al.	
D779,471 S	2/2017	Tien	
D780,164 S	2/2017	Lee	
D780,165 S	2/2017	Lee	
D781,835 S	3/2017	Kim et al.	
D781,836 S	3/2017	Kim et al.	
D781,837 S	3/2017	Kim et al.	
D781,838 S	3/2017	Kim et al.	
D781,839 S	3/2017	Kim et al.	
D781,840 S	3/2017	Kim et al.	
D782,453 S	3/2017	Kim et al.	
D782,454 S	3/2017	Kim et al.	
D782,460 S	* 3/2017	Bertrand	D14/250
D784,309 S	4/2017	Lee et al.	
D786,848 S	5/2017	Park et al.	
D786,849 S	5/2017	Park et al.	
D786,854 S	5/2017	Friedland et al.	
D791,773 S	* 7/2017	Moore	D14/440
D792,394 S	7/2017	Lee et al.	
D792,875 S	* 7/2017	Kim	D14/250
D792,877 S	* 7/2017	Kim	D14/250
D792,878 S	* 7/2017	Kim	D14/250
D795,237 S	8/2017	Jung et al.	
D797,715 S	9/2017	Kim	
D798,286 S	9/2017	Roberts et al.	
D798,853 S	10/2017	Park et al.	
D800,714 S	10/2017	Lee et al.	
D801,322 S	10/2017	Song et al.	
D801,323 S	10/2017	Kim	
D808,373 S	1/2018	Brown et al.	
D832,269 S	10/2018	Cheng	
D833,621 S	11/2018	Tolentino	
D838,710 S	1/2019	Wang	
D840,991 S	* 2/2019	Kim	D14/250
D841,011 S	2/2019	Mecchella et al.	
D843,363 S	3/2019	Yan	
2015/0168789 A1*	6/2015	Kwon	G02F 1/134336 349/33

OTHER PUBLICATIONS

“Caseology Parallax for Samsung Galaxy S7 Case (2016)—Pink”, <https://www.amazon.com/dp/B01BUDURFI/>, Earliest review date of Mar. 9, 2016, Downloaded on Jan. 13, 2020.
 Galaxy Views, “Galaxy S7 Caseology Parallax Case Edge Unboxing Review”, <https://www.youtube.com/watch?v=8-a0VNo2kBg>, Published on Apr. 2, 2016, Downloaded on Jan. 13, 2020.
 “Caseology Parallax for Apple iPhone 6S Case (2015) / for iPhone 6 Case (2014)—Mint Green”, <https://www.amazon.com/dp/B0111Q29PG/>, Earliest review date of Jul. 26, 2016, Downloaded on Nov. 15, 2019.
 Clocks, “Received my Spigen Neo Hybrid and Caseology Parallax series”, <https://forums.androidcentral.com/samsung-galaxy-note-7-cases-accessories/710480-received-my-spigen-neo-hybrid-caseology-parallax-series.html>, Published date of Aug. 12, 2016, Downloaded on Jan. 13, 2020.
 “Caseology Parallax for Apple iPhone 8 Case (2017) / for iPhone 7 Case (2016)—Award Winning Design—Aqua Green”, <https://www.amazon.com/dp/B075DZ6VLG/>, Earliest review date of Sep. 11, 2016, Downloaded on Nov. 15, 2019.
 “Caseology Parallax for Apple iPhone 8 Case (2017) / for iPhone 7 Case (2016)—Award Winning Design—Mint Green”, <https://www.amazon.com/dp/B01JSZNF9U/>, Earliest review date of Sep. 17, 2016, Downloaded on Nov. 15, 2019.
 “Caseology Parallax for Google Pixel Case (2016)—Award Winning Design—Black”, <https://www.amazon.com/dp/B01M4HN5XV/>, Earliest review date of Sep. 15, 2016, Downloaded on Nov. 15, 2019.

* cited by examiner

FIG. 1

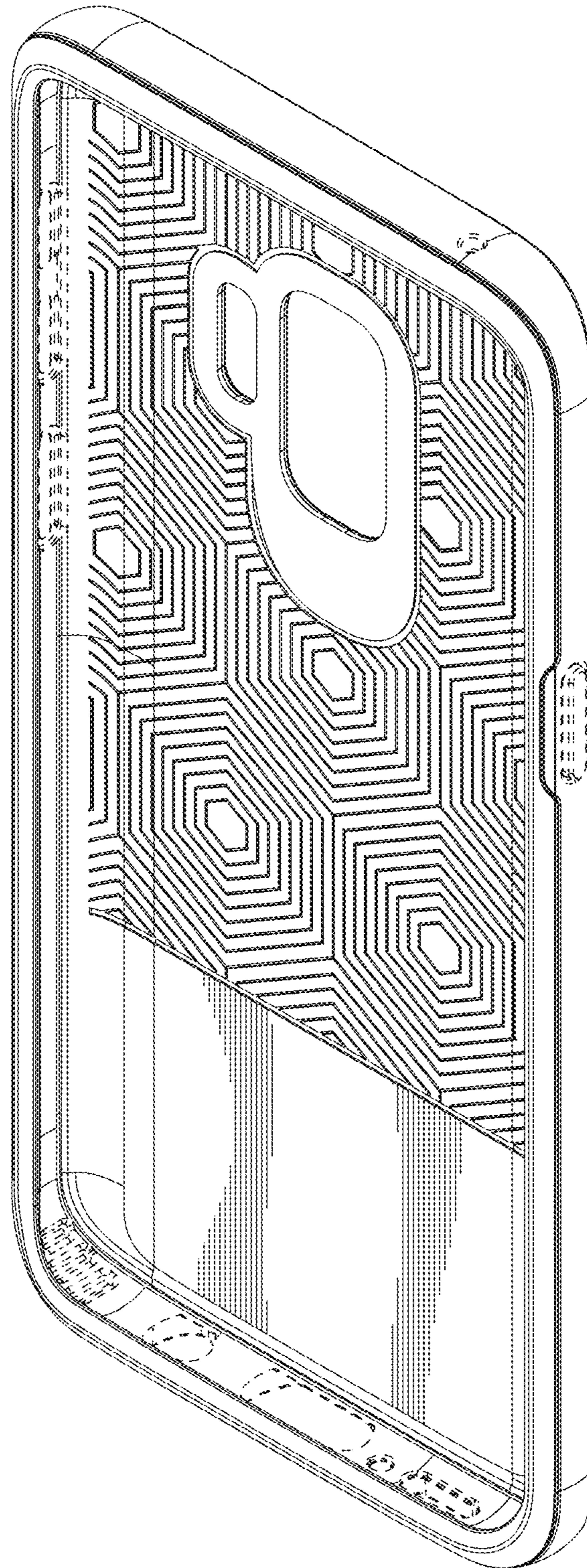


FIG. 2

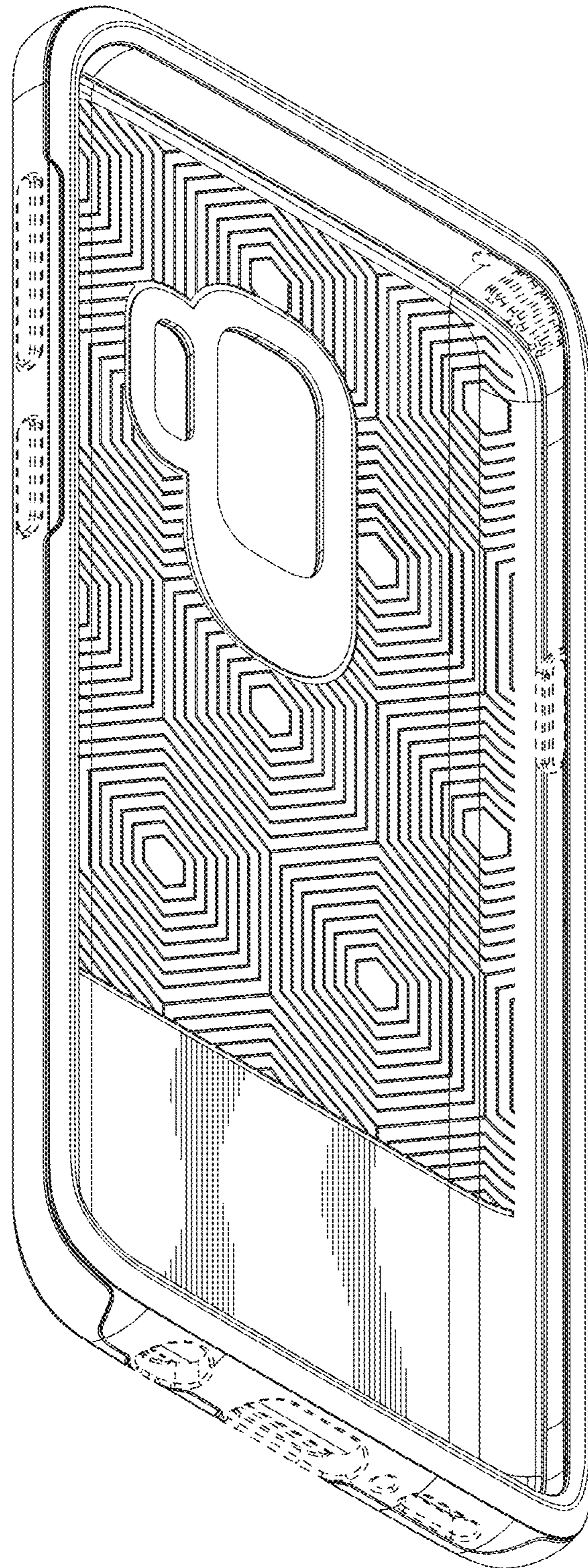


FIG. 3

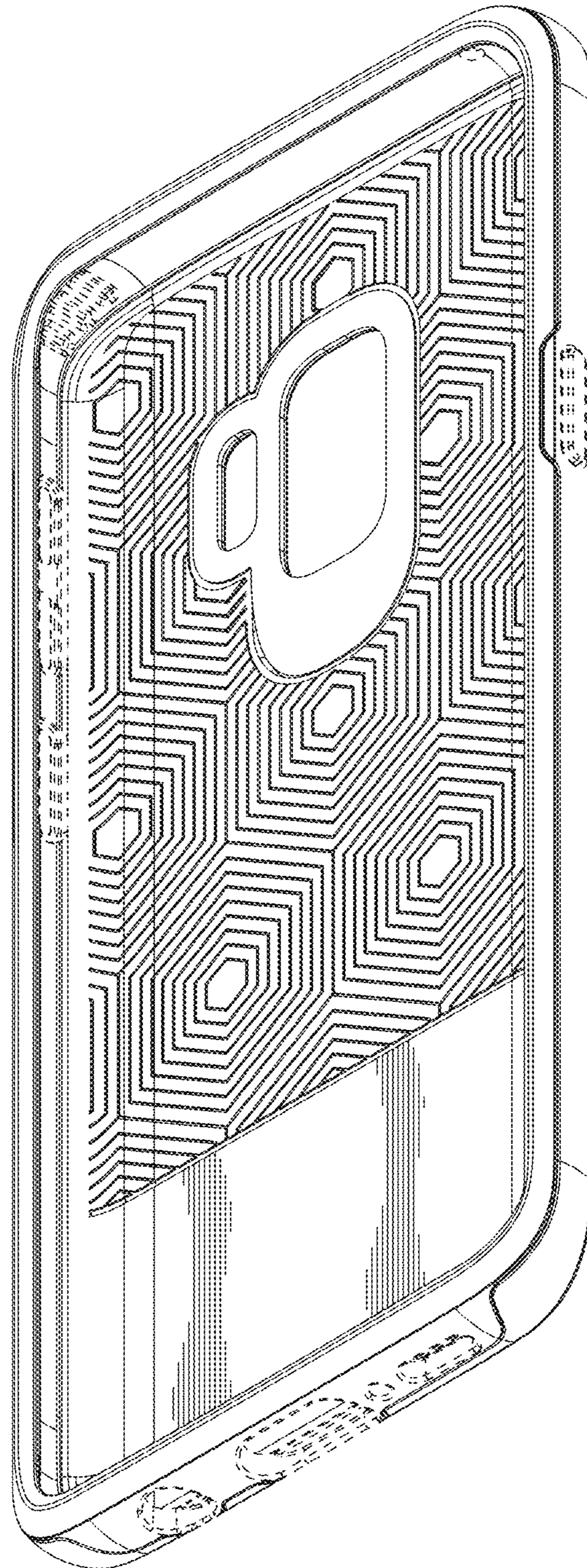


FIG. 4

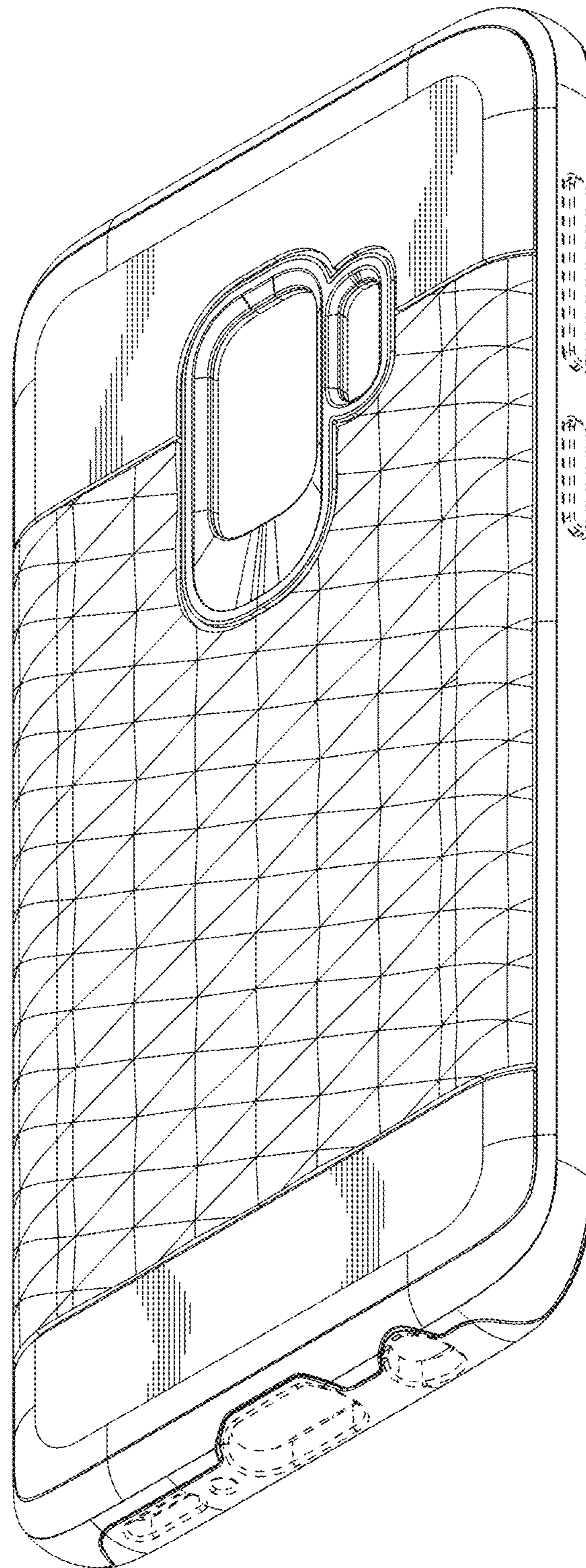


FIG. 5

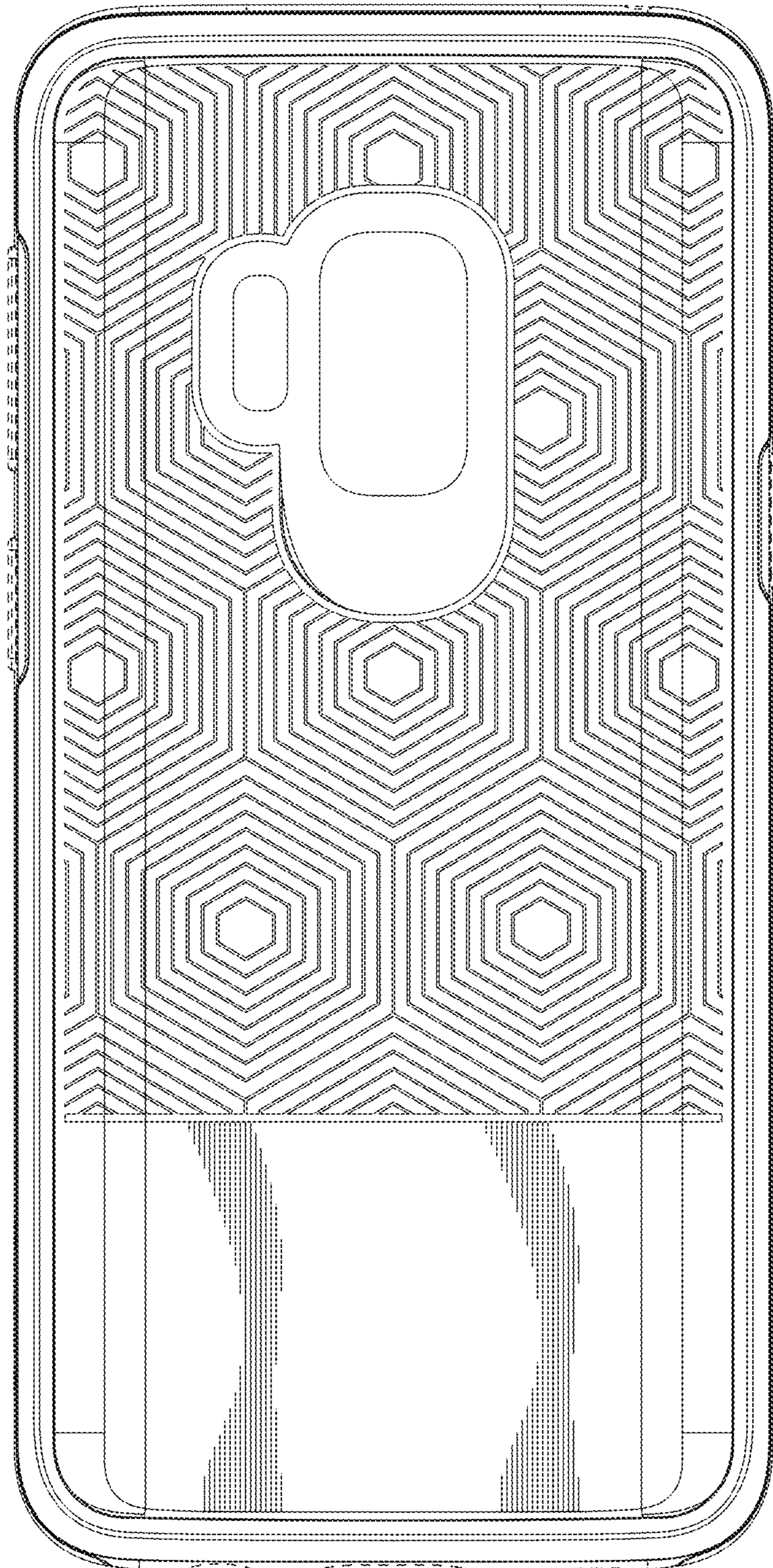


FIG. 6

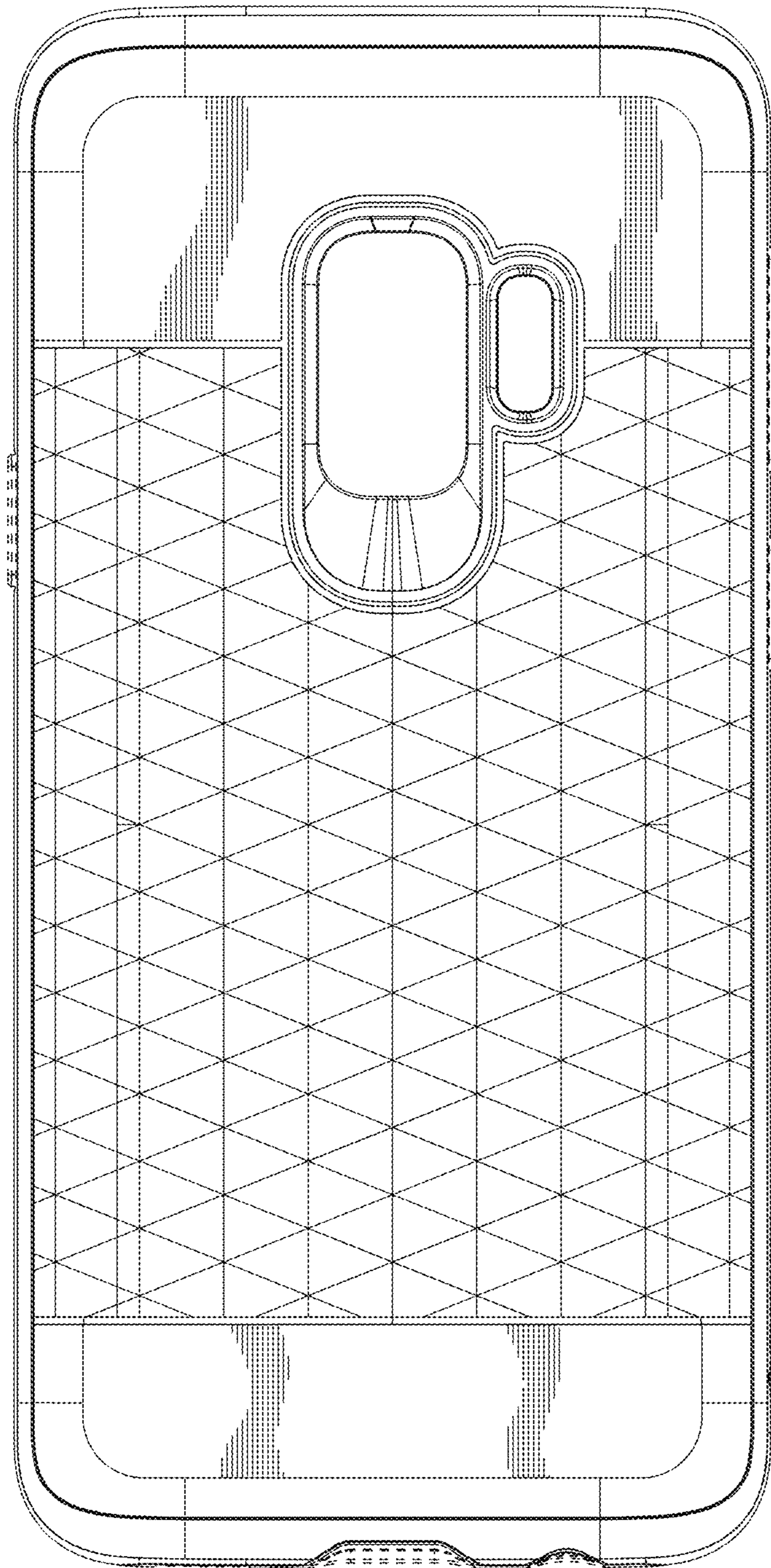


FIG. 7

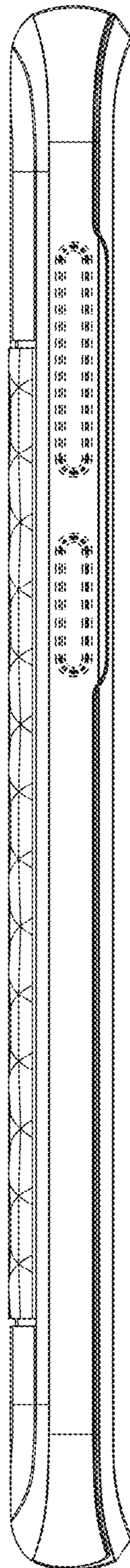


FIG. 8

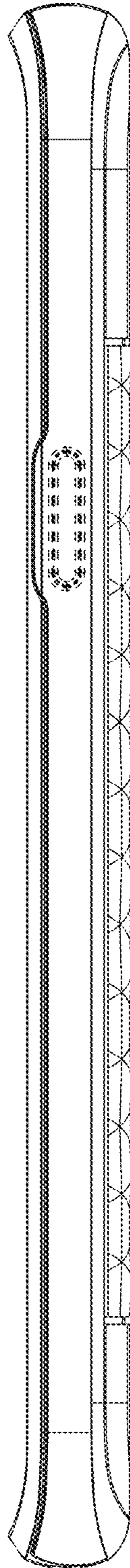


FIG. 9

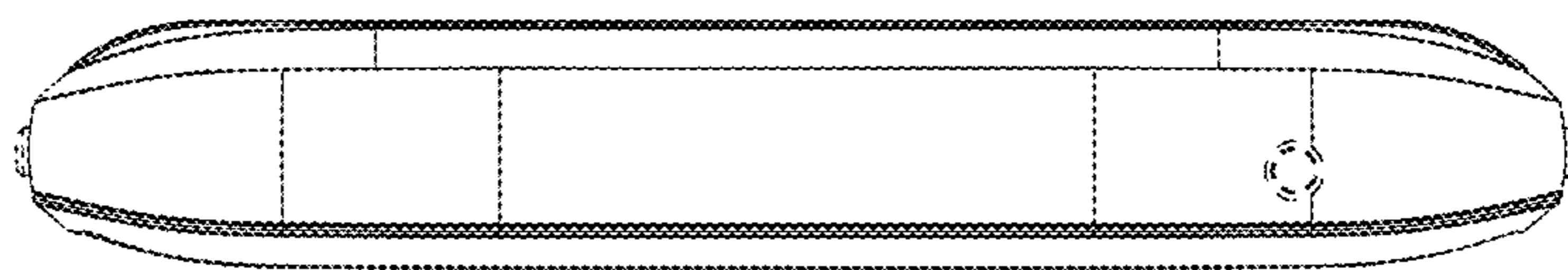


FIG. 10

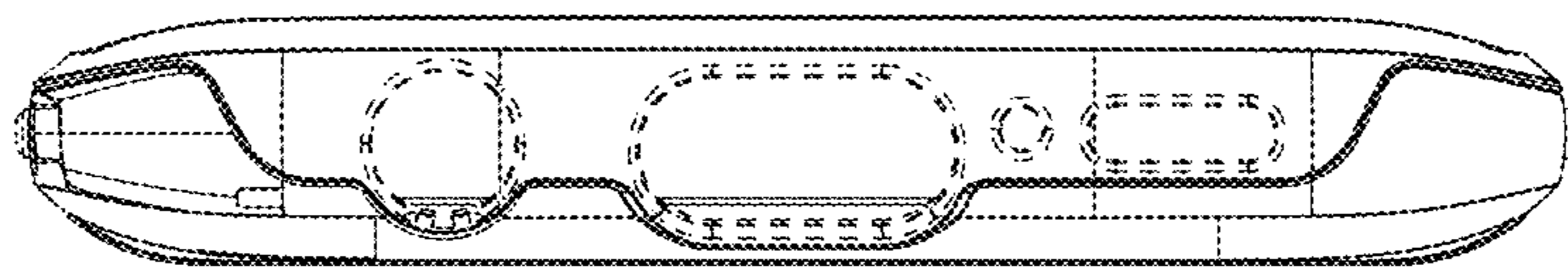


FIG. 11

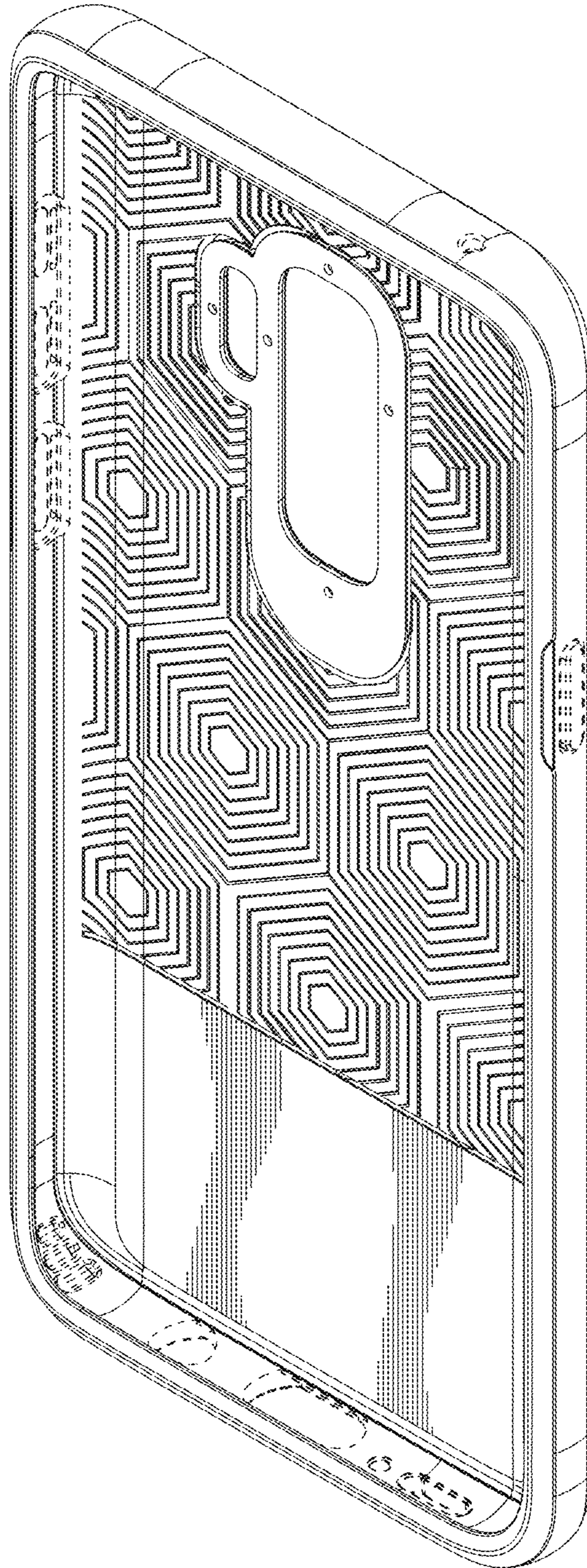


FIG. 12

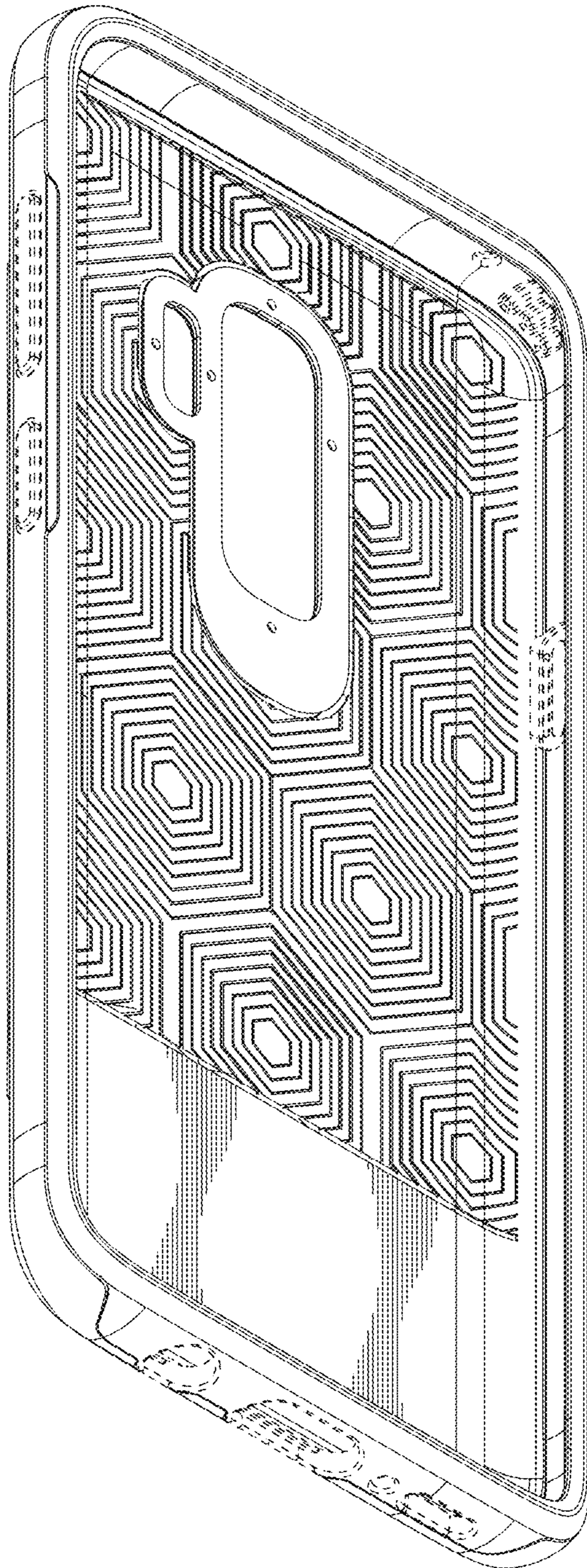


FIG. 13

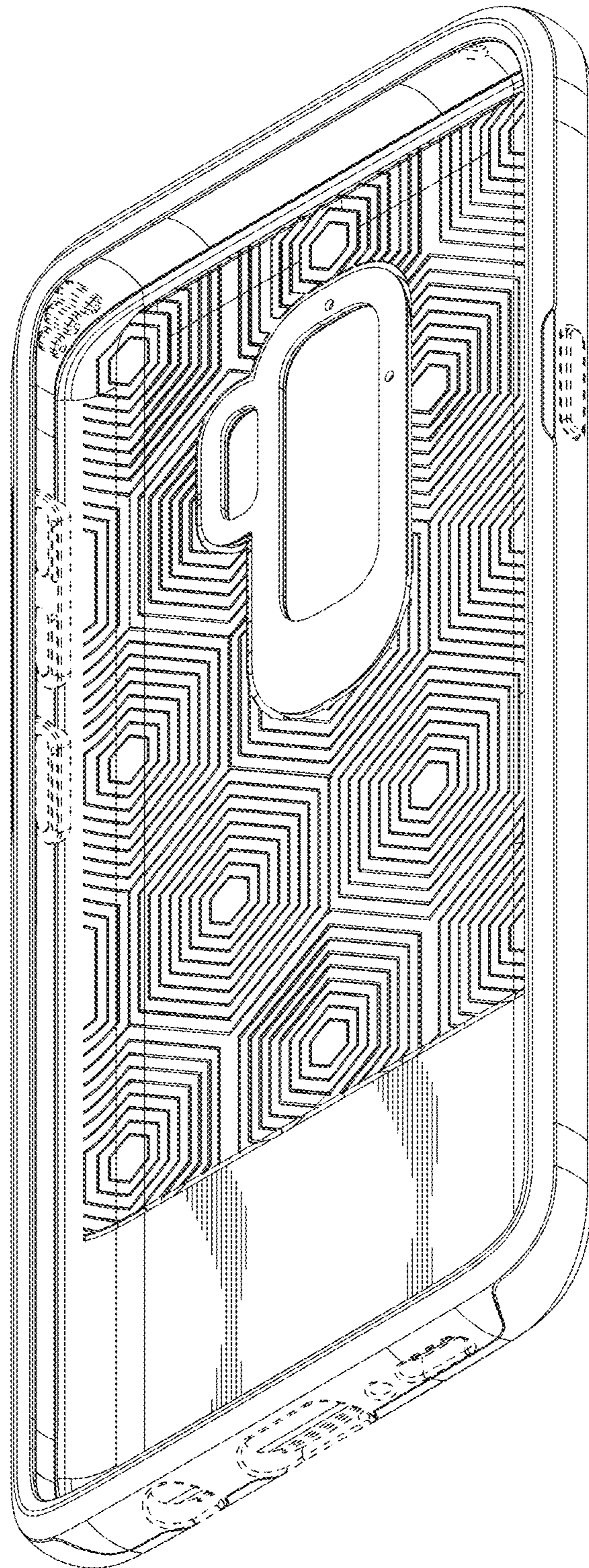


FIG. 14

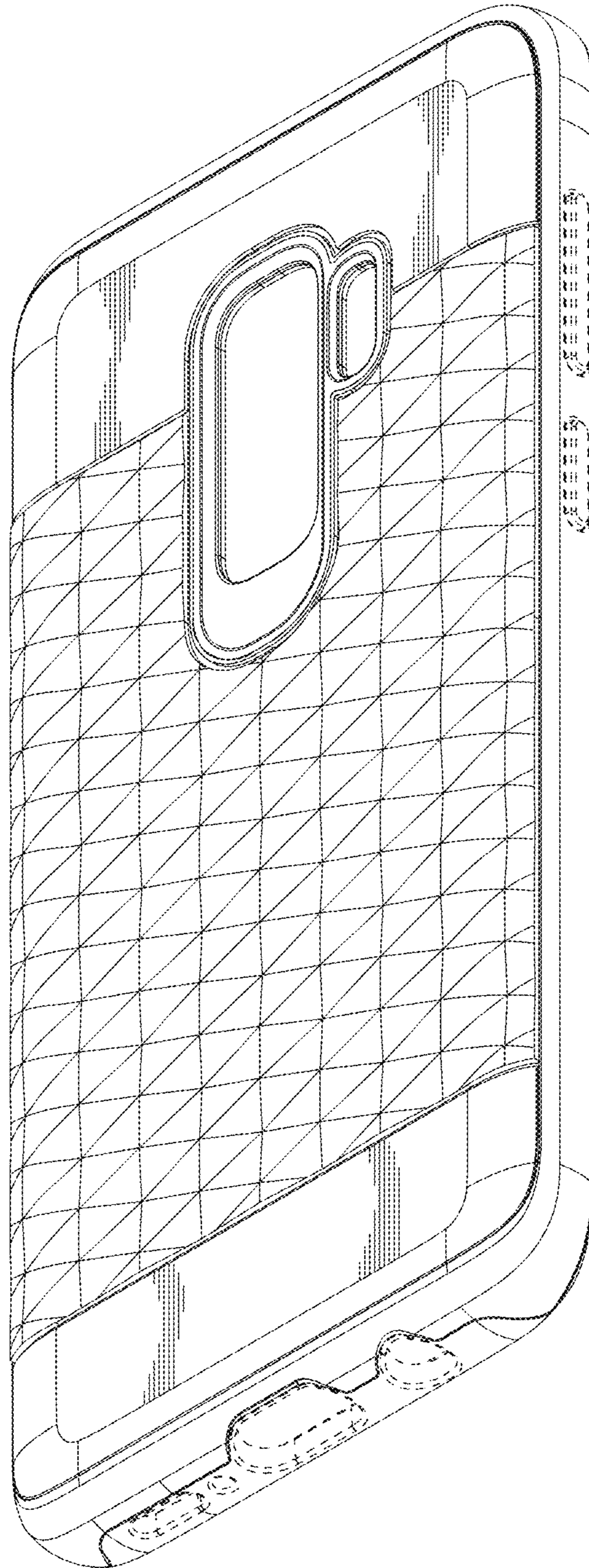


FIG. 15

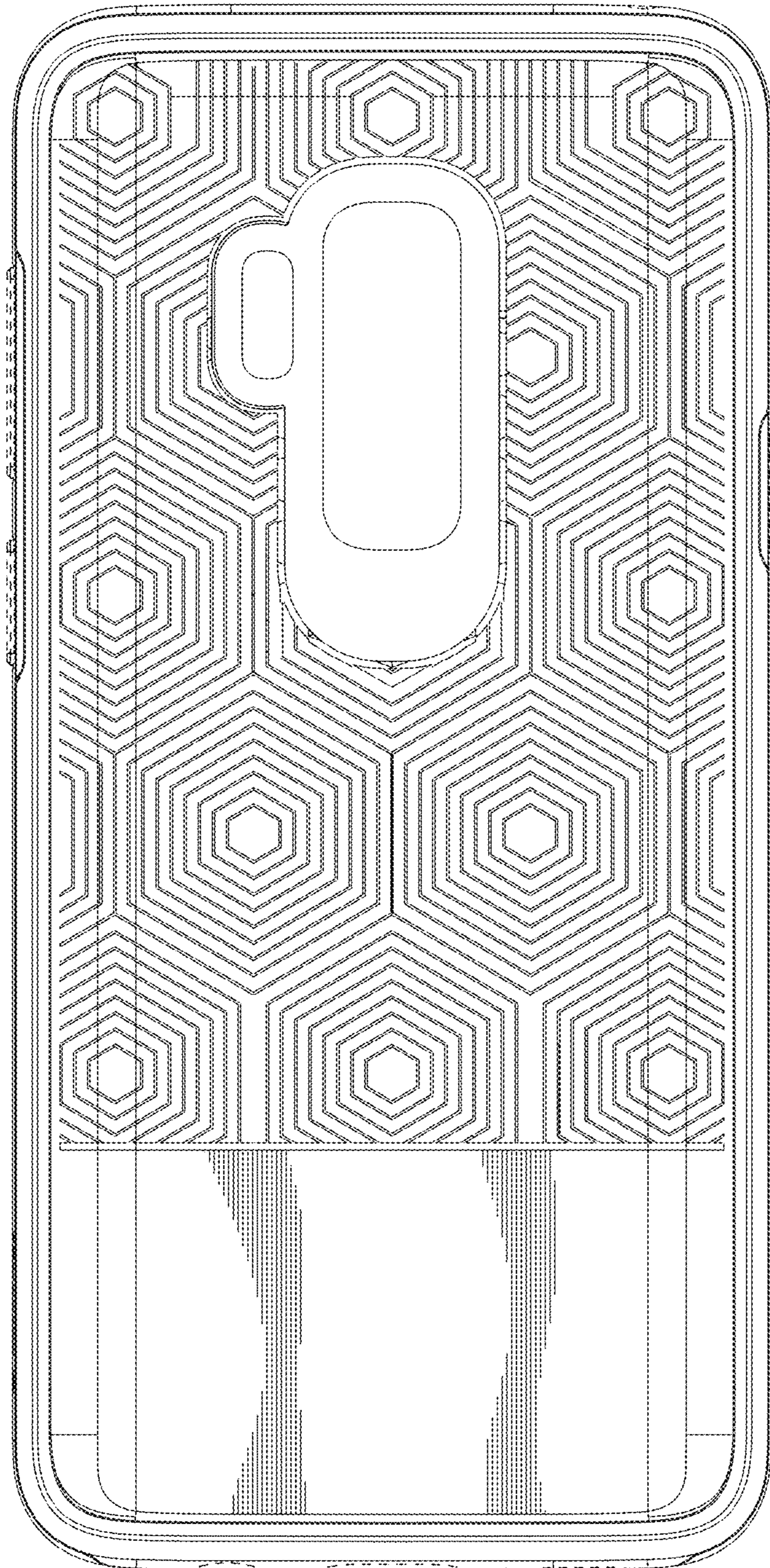


FIG. 16

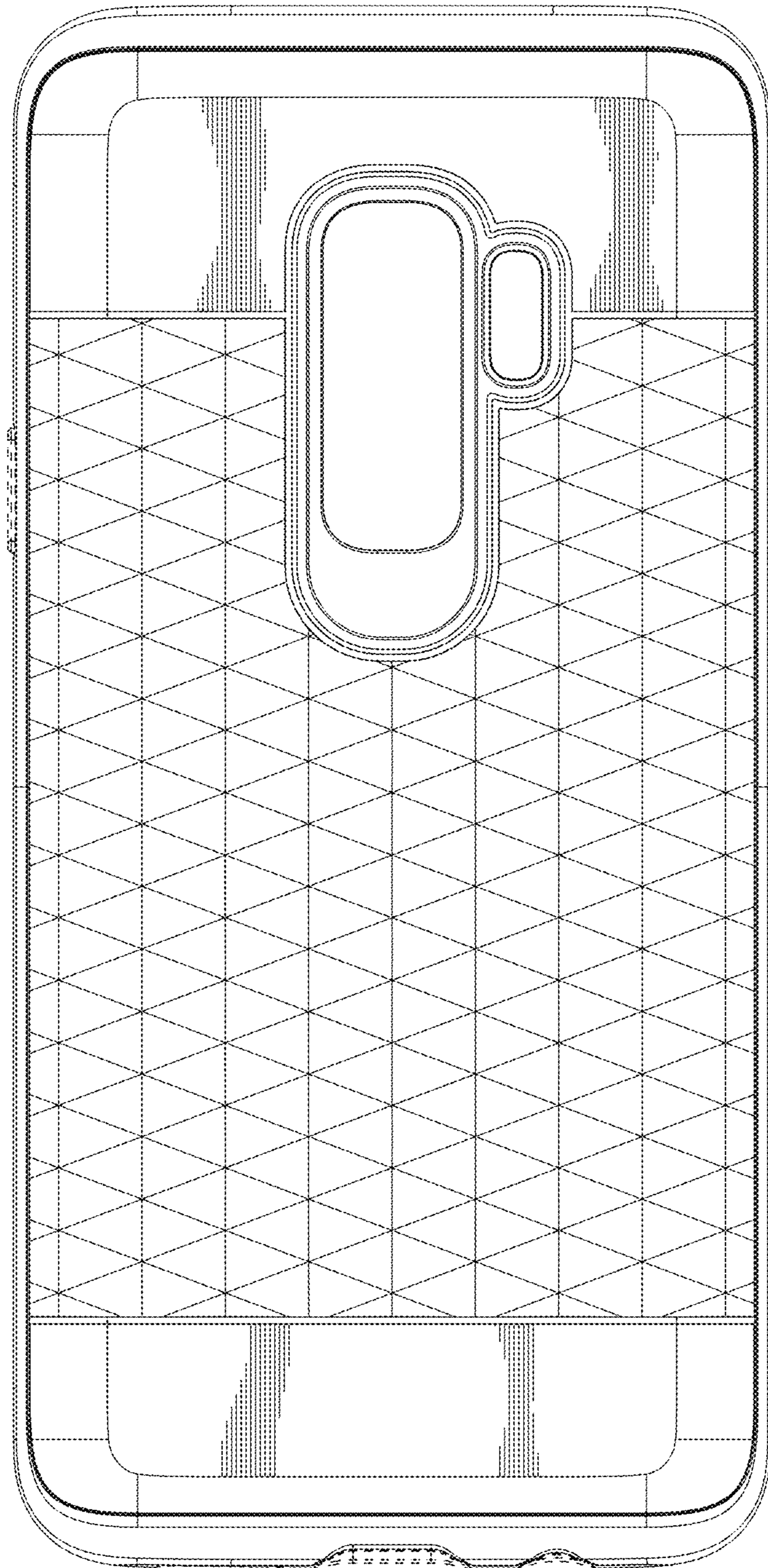


FIG. 17

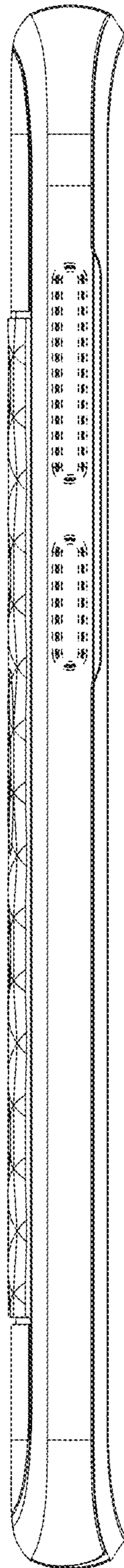


FIG. 18



FIG. 19

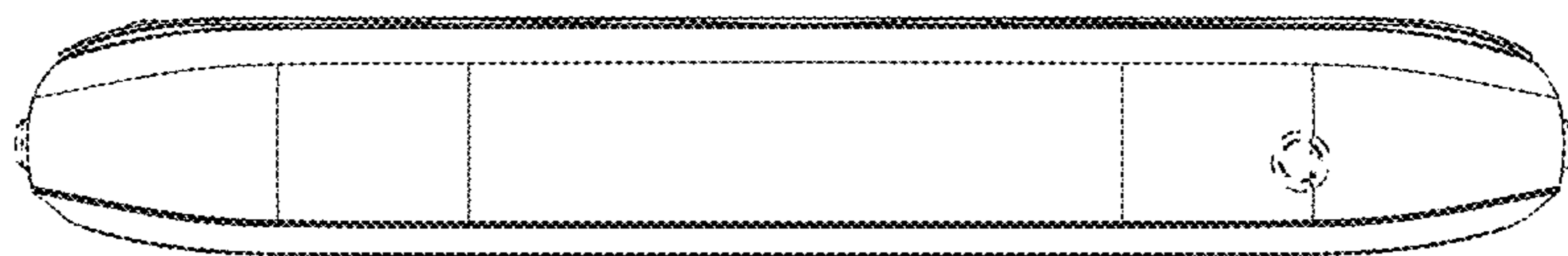


FIG. 20

