



US00D893463S

(12) **United States Design Patent** (10) **Patent No.:** **US D893,463 S**
Laine et al. (45) **Date of Patent:** **** Aug. 18, 2020**

(54) **WALL MOUNT FOR AN AUDIO DEVICE**
(71) Applicant: **Sonos, Inc.**, Santa Barbara, CA (US)
(72) Inventors: **Aki Laine**, Santa Barbara, CA (US);
Edward Mitchell, Thousand Oaks, CA (US); **Philippe Vossel**, Wuppertal (DE)
(73) Assignee: **Sonos, Inc.**, Santa Barbara, CA (US)

(**) Term: **15 Years**
(21) Appl. No.: **29/711,043**
(22) Filed: **Oct. 28, 2019**

Related U.S. Application Data

(63) Continuation of application No. 29/649,645, filed on May 31, 2018, now Pat. No. Des. 870,082.
(51) **LOC (12) Cl.** **14-01**
(52) **U.S. Cl.**
USPC **D14/224**
(58) **Field of Classification Search**
USPC ... D14/204, 209, 209.1, 210, 211, 217, 221, D14/222, 224, 224.1, 155, 137, 229, 251, D14/168, 149, 253, 466; D8/373, 380, D8/352, 353, 354, 349, 371
CPC G10G 5/00; H04R 1/1091; H04R 1/1075; F16M 11/22; A47F 2007/0085; A47F 7/146; A47F 7/00; A47F 7/0028; A47F 7/0035; A47F 7/0042; A47F 5/04; A47F 5/05; B65D 85/42; A47G 25/00; A47G 25/10; A47J 47/16
See application file for complete search history.

(56) **References Cited**
U.S. PATENT DOCUMENTS

D535,985 S 1/2007 Sergi
D599,194 S 9/2009 Meyer et al.
D646,840 S 10/2011 Polka et al.
8,235,341 B2 8/2012 Taylor

D682,079 S 5/2013 Chou
D735,170 S 7/2015 Colvin
D770,962 S 11/2016 Badillo
9,699,924 B2 7/2017 Hagen
D829,196 S 9/2018 Kim et al.
D845,116 S * 4/2019 Wokutch D8/380
D853,377 S 7/2019 Crandon et al.
(Continued)

FOREIGN PATENT DOCUMENTS

EM 005821071-0001 11/2018
EM 005821071-0002 11/2018
(Continued)

OTHER PUBLICATIONS

VIVO Black Steel Speaker Wall Mount Bracket, reviewed on Apr. 5, 2019 [online], retrieved on Apr. 8, 2020, retrieved from internet, <https://www.amazon.com/VIVO-Speaker-Designed-Mounting-MOUNT-SONOS2B/dp/B07NNR6T69>.
(Continued)

Primary Examiner — Barbara Fox
Assistant Examiner — Messina L Smith
(74) *Attorney, Agent, or Firm* — KPPB LLP

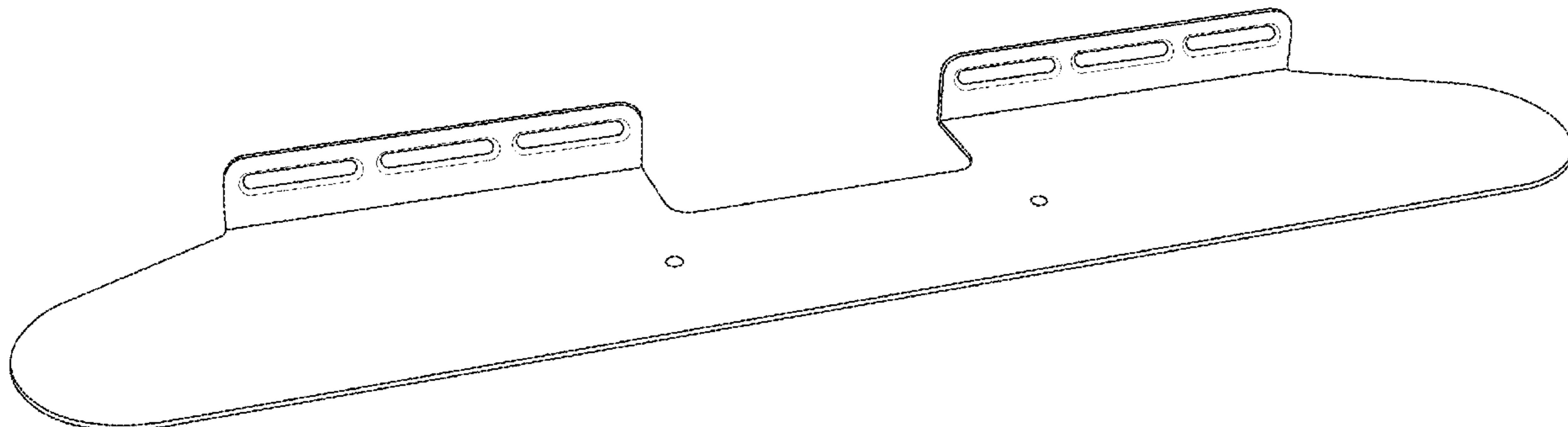
(57) **CLAIM**

The ornamental design for a wall mount for an audio device, as shown and described.

DESCRIPTION

FIG. 1 is a perspective view of a wall mount for an audio device, showing the new design;
FIG. 2 is top plan view.
FIG. 3 is a bottom plan view.
FIG. 4 is a front elevation view.
FIG. 5 is a rear elevation view.
FIG. 6 is a first side view; and,
FIG. 7 is a second side view.

1 Claim, 5 Drawing Sheets



(56)

References Cited

U.S. PATENT DOCUMENTS

D853,403 S * 7/2019 Lyu D14/451
 D860,769 S * 9/2019 Wokutch D8/380
 10,443,782 B2 * 10/2019 Kahn F16M 11/2092
 D870,082 S * 12/2019 Laine D14/224
 D870,830 S * 12/2019 Mills D21/701
 10,533,702 B2 * 1/2020 Kahn F16M 11/2092
 D876,203 S * 2/2020 Riner D8/354
 D877,743 S * 3/2020 Pei D14/451
 D879,217 S * 3/2020 Dunahay D21/686
 D880,446 S * 4/2020 Deyaf D14/204
 2006/0291152 A1 * 12/2006 Bremmon F16M 11/10
 361/679.06
 2015/0264823 A1 * 9/2015 Shirley F16M 13/02
 248/287.1

FOREIGN PATENT DOCUMENTS

EM 005821071-0003 11/2018
 EM 005821071-0004 11/2018
 EM 005821071-0005 11/2018
 EM 005821071-0006 11/2018
 EM 005821071-0007 11/2018
 EM 005821071-0008 11/2018

EM 005821071-0009 11/2018
 EM 005821071-0010 11/2018
 EM 005821071-0011 11/2018
 EM 005821071-0012 11/2018
 EM 005821071-0013 11/2018
 EM 006328126-0001 3/2019
 EM 006328126-0002 3/2019
 EM 006328126-0003 3/2019
 EM 006328126-0004 3/2019
 EM 006328126-0005 3/2019
 EM 006328126-0006 3/2019
 EM 006328126-0007 3/2019

OTHER PUBLICATIONS

“Cotytech Speaker Shelf SP-OS07”, Cotytech, Oct. 14, 2013, retrieved from <https://www.cotytech.com/speaker-shelf-for-wall-medium-surround-type-sp-os07> on Sep. 26, 2019, 5 pgs.
 “Sanus On-Wall AV Shelf VMA401”, Sanus, Mar. 28, 2012, retrieved from https://www.sanus.com/en_US/products/accessories/vma401/ on Sep. 26, 2019, 4 pgs.
 “Sonos Wall Mount for all-new Sonos Beam Sound bar”, Jun. 13, 2018, retrieved from <https://www.amazon.com/Sonos-Wall-Mount-all-new-Sound/dp/B07DJ265YC> on Jul. 30, 2019, 9 pgs.

* cited by examiner

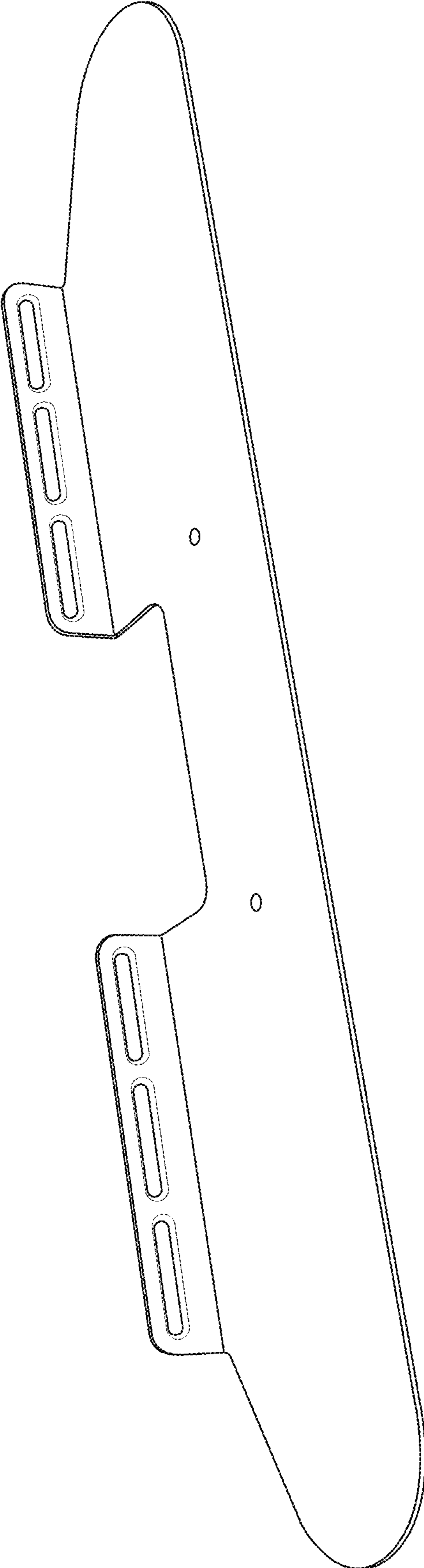


FIG. 1

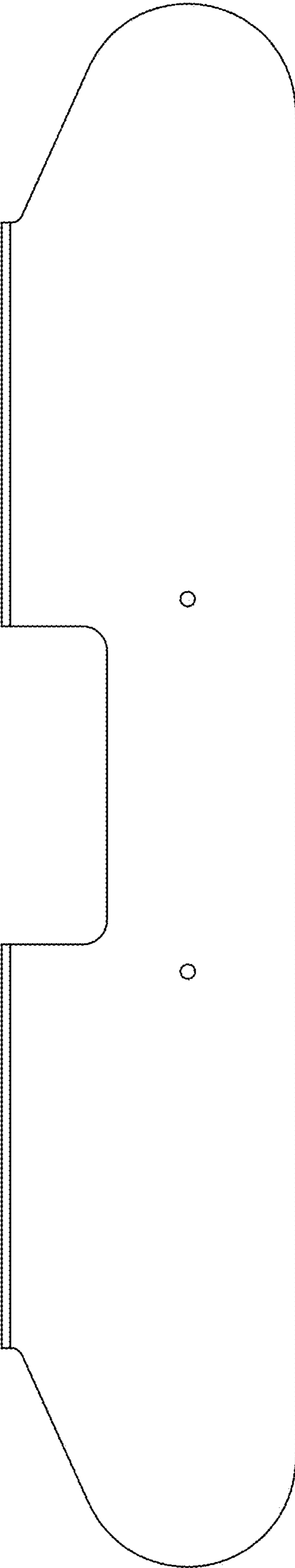


FIG. 2

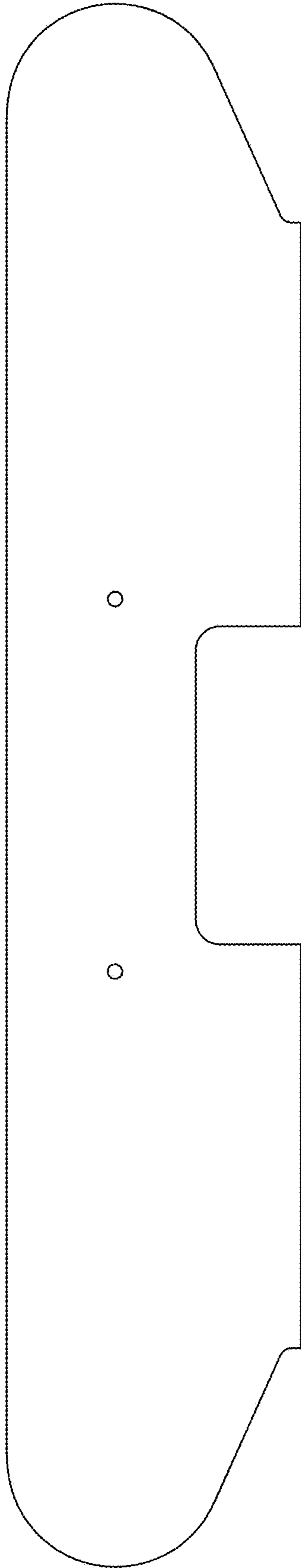


FIG. 3



FIG. 4



FIG. 5

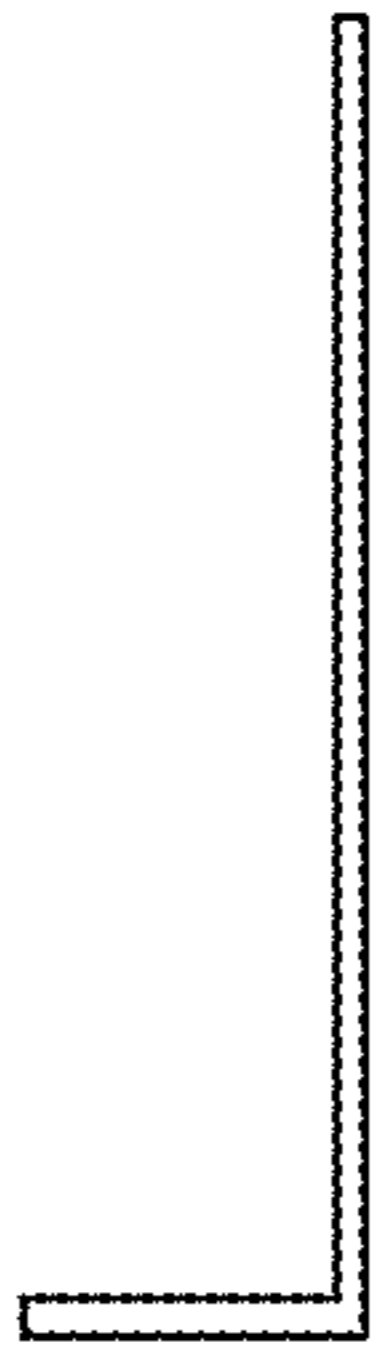


FIG. 6



FIG. 7