



US00D893462S

(12) **United States Design Patent**  
**Liu**

(10) **Patent No.:** **US D893,462 S**

(45) **Date of Patent:** **\*\* Aug. 18, 2020**

(54) **HEADPHONE**

(71) Applicants: **Shenzhen Humboldt Technology Co., Ltd, Shenzhen (CN); Guang Dong Esthetical Her Industrial Investment Co., Ltd, Dongguan (CN)**

(72) Inventor: **Murong Liu, Ganzhou (CN)**

(\*\*) Term: **15 Years**

(21) Appl. No.: **29/726,687**

(22) Filed: **Mar. 5, 2020**

(51) **LOC (12) Cl.** ..... **14-01**

(52) **U.S. Cl.**  
USPC ..... **D14/223**

(58) **Field of Classification Search**  
USPC ..... D14/223, 205; D24/174; 128/864;  
381/322, 328, 370, 380, 381; 455/90.3,  
455/575.1, 569.1  
CPC ..... H04R 1/10; H04R 25/00; H04R 1/1066;  
H04R 1/1016; H04R 5/033; H04R  
5/0335; H04R 1/105; H04R 1/1041;  
H04R 1/1083; H04R 1/1058  
See application file for complete search history.

(56) **References Cited**

**U.S. PATENT DOCUMENTS**

- 1,406,510 A \* 2/1922 Louis Weber ..... H04R 1/1016  
381/380
- 3,527,902 A \* 9/1970 Vanliempd ..... H04R 1/38  
381/356
- 4,646,872 A \* 3/1987 Kamon ..... H04R 1/225  
181/129
- 4,972,492 A \* 11/1990 Tanaka ..... H04R 1/1016  
181/130
- 4,981,194 A \* 1/1991 Kamon ..... H04R 1/22  
181/129
- D331,061 S \* 11/1992 Hyohgo ..... D14/223
- D353,379 S \* 12/1994 Nakamura ..... D14/223

- D357,921 S \* 5/1995 Ming-Chin ..... D14/223
- 5,742,697 A \* 4/1998 Ching-Chung ..... H04R 1/083  
381/355
- 6,574,345 B1 \* 6/2003 Huang ..... H04R 1/1016  
379/430
- 6,668,064 B1 \* 12/2003 Lin ..... H04R 1/1016  
381/328
- D487,077 S \* 2/2004 Obata ..... D14/223
- D509,210 S \* 9/2005 Skulley ..... D14/205
- D512,049 S \* 11/2005 Yang ..... D14/205
- D539,782 S \* 4/2007 Lee ..... D14/188
- D549,222 S \* 8/2007 Huang ..... A61F 11/08  
D14/223

(Continued)

**FOREIGN PATENT DOCUMENTS**

- EM 006952644-0001 \* 9/2019
- EM 007694153-0001 \* 2/2020

(Continued)

*Primary Examiner* — Paula Allen Greene

(74) *Attorney, Agent, or Firm* — HYIP

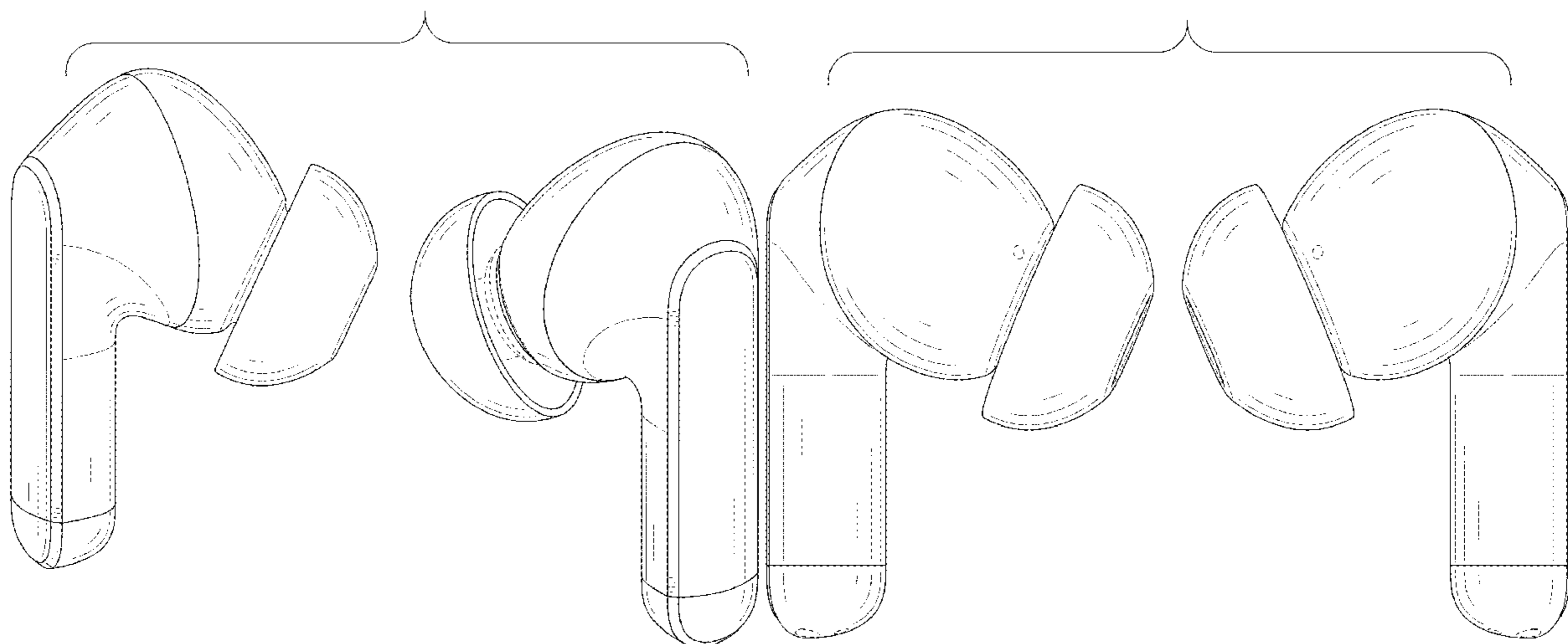
(57) **CLAIM**

The ornamental design for a headphone, as shown and described.

**DESCRIPTION**

FIG. 1 is a first perspective view of a headphone showing my new design;  
 FIG. 2 is a second perspective view thereof;  
 FIG. 3 is a front view thereof;  
 FIG. 4 is a back view thereof;  
 FIG. 5 is a left side view thereof;  
 FIG. 6 is a right side view thereof;  
 FIG. 7 is a top view thereof; and,  
 FIG. 8 is a bottom view thereof.  
 The broken lines depict environment that is for illustrative purposes only; the broken lines form no part of the claimed design.

**1 Claim, 8 Drawing Sheets**



(56)

References Cited

U.S. PATENT DOCUMENTS

D554,109 S \* 10/2007 Ledbetter ..... D14/223  
 D555,151 S \* 11/2007 Eklund ..... D14/223  
 D555,152 S \* 11/2007 Wang ..... D14/223  
 D556,741 S \* 12/2007 Yeo ..... D14/205  
 D561,179 S \* 2/2008 Sade ..... D14/223  
 D564,495 S \* 3/2008 Sasaki ..... D14/205  
 D572,242 S \* 7/2008 Yang ..... D14/205  
 D573,977 S \* 7/2008 Ledbetter ..... D14/205  
 D574,366 S \* 8/2008 Sade ..... D14/223  
 D575,269 S \* 8/2008 Ledbetter ..... D14/205  
 D583,804 S \* 12/2008 Mahler ..... D14/223  
 D590,378 S \* 4/2009 Bradford ..... D14/223  
 D591,722 S \* 5/2009 Densho ..... D14/205  
 D606,980 S \* 12/2009 Bradford ..... D14/218  
 D617,779 S \* 6/2010 Nylen ..... D14/223  
 D618,221 S \* 6/2010 Fahrendorff ..... D14/223  
 D627,766 S \* 11/2010 Arimoto ..... D14/223  
 D628,193 S \* 11/2010 Zheng ..... D14/223  
 D632,680 S \* 2/2011 Anneback ..... D14/228  
 D633,086 S \* 2/2011 Chen ..... D14/223  
 D635,558 S \* 4/2011 Zheng ..... D14/206  
 D639,279 S \* 6/2011 Andre ..... D14/223  
 D641,738 S \* 7/2011 Perez ..... D14/223  
 D652,823 S \* 1/2012 Chen ..... H04R 25/00  
 D653,235 S \* 1/2012 McManigal ..... D14/205  
 D656,481 S \* 3/2012 McManigal ..... D14/205  
 D662,493 S \* 6/2012 Chen ..... D14/223  
 D671,531 S \* 11/2012 Kim ..... D14/223  
 D679,267 S \* 4/2013 Lee ..... D14/223  
 D681,015 S \* 4/2013 Akana ..... H04R 1/1016  
 D689,471 S \* 9/2013 Hardi ..... D14/223  
 D701,197 S 3/2014 Kelly et al.  
 8,712,087 B2 \* 4/2014 Ozawa ..... H04R 1/345  
 D718,284 S \* 11/2014 Shibusawa ..... D14/223  
 8,908,899 B1 \* 12/2014 Yang ..... H04R 1/1033  
 381/370

9,042,583 B2 \* 5/2015 Buyens ..... H04R 25/50  
 381/312  
 D733,101 S \* 6/2015 Pi ..... D14/223  
 D733,689 S \* 7/2015 Narita ..... D14/223  
 D738,864 S \* 9/2015 Lee ..... D14/223  
 D741,287 S \* 10/2015 Harata ..... D14/205  
 D757,682 S \* 5/2016 Perez ..... D14/205  
 D764,445 S 8/2016 Czaniecki  
 D773,439 S \* 12/2016 Walker ..... D14/205  
 D801,314 S \* 10/2017 Akana ..... D14/223  
 D803,184 S \* 11/2017 Loh Jun Kern ..... D14/205  
 D820,809 S \* 6/2018 Akana ..... D14/205  
 D830,336 S \* 10/2018 Cai ..... D14/205  
 D832,823 S \* 11/2018 Xiao ..... D14/223  
 D832,824 S \* 11/2018 Kim ..... D14/223  
 D845,932 S 4/2019 Lu  
 D847,125 S \* 4/2019 Akana ..... D14/223  
 D847,794 S \* 5/2019 Guo ..... D14/223  
 D848,983 S \* 5/2019 Kim ..... D14/223  
 D861,647 S \* 10/2019 Chen ..... D14/223  
 D863,262 S \* 10/2019 Roberts ..... D14/223  
 D864,165 S \* 10/2019 Roberts ..... D14/223  
 D864,169 S \* 10/2019 Min ..... D14/223  
 D869,445 S \* 12/2019 Hu ..... D14/223  
 D872,711 S \* 1/2020 Hu ..... D14/223  
 D883,260 S \* 5/2020 Hu ..... D14/223  
 2012/0237074 A1 \* 9/2012 Aase ..... H04R 1/1075  
 381/380  
 2012/0275635 A1 \* 11/2012 Chen ..... H04R 1/1075  
 381/380  
 2013/0343585 A1 \* 12/2013 Bennett ..... H04R 25/554  
 381/315  
 2015/0382100 A1 \* 12/2015 Azmi ..... H04R 1/2811  
 381/380  
 2017/0164087 A1 \* 6/2017 Kurtz ..... H04R 1/1066

FOREIGN PATENT DOCUMENTS

EM 007810056-0001 \* 4/2020  
 GB 6081444 \* 1/2020

\* cited by examiner

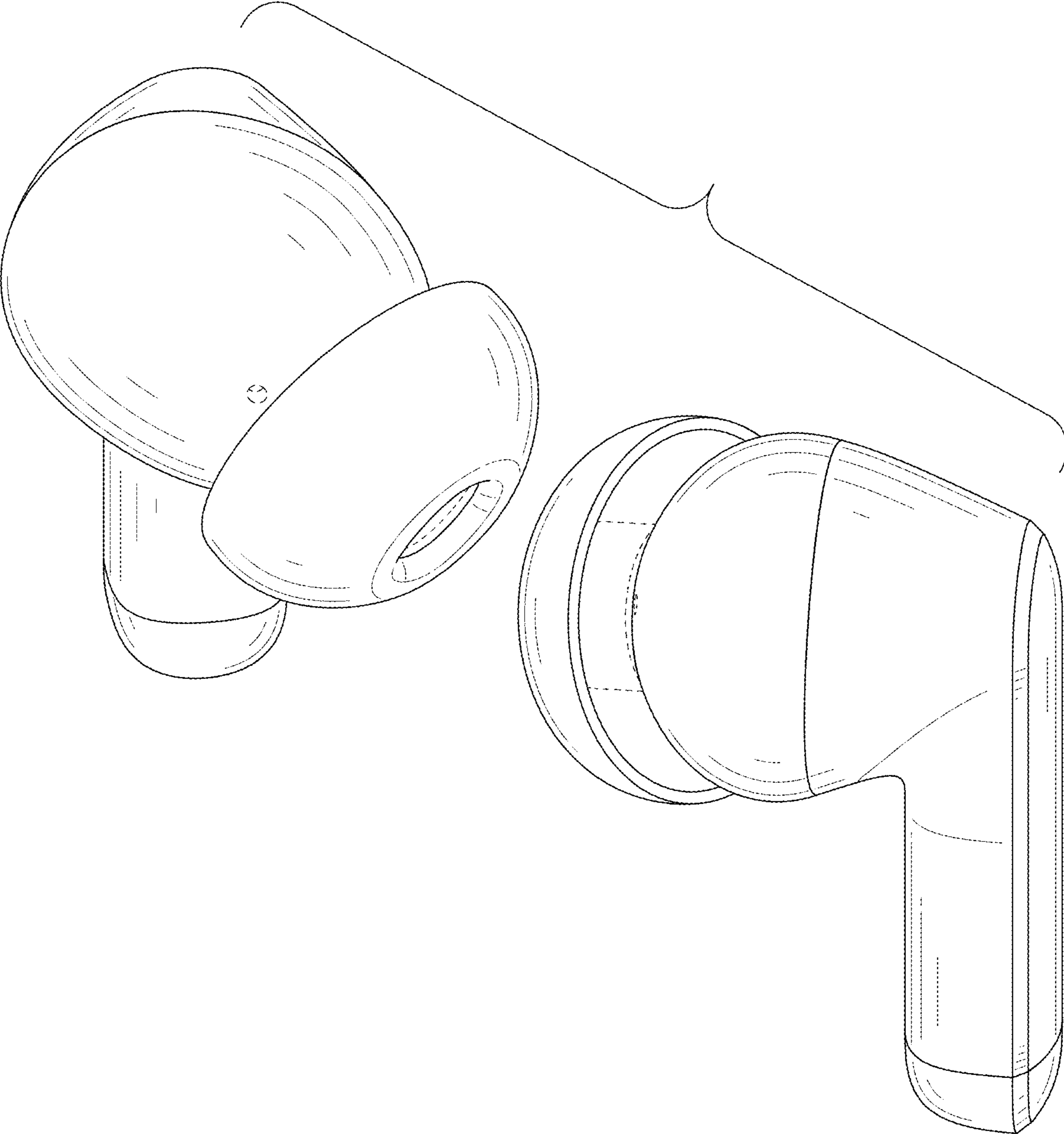


FIG. 1



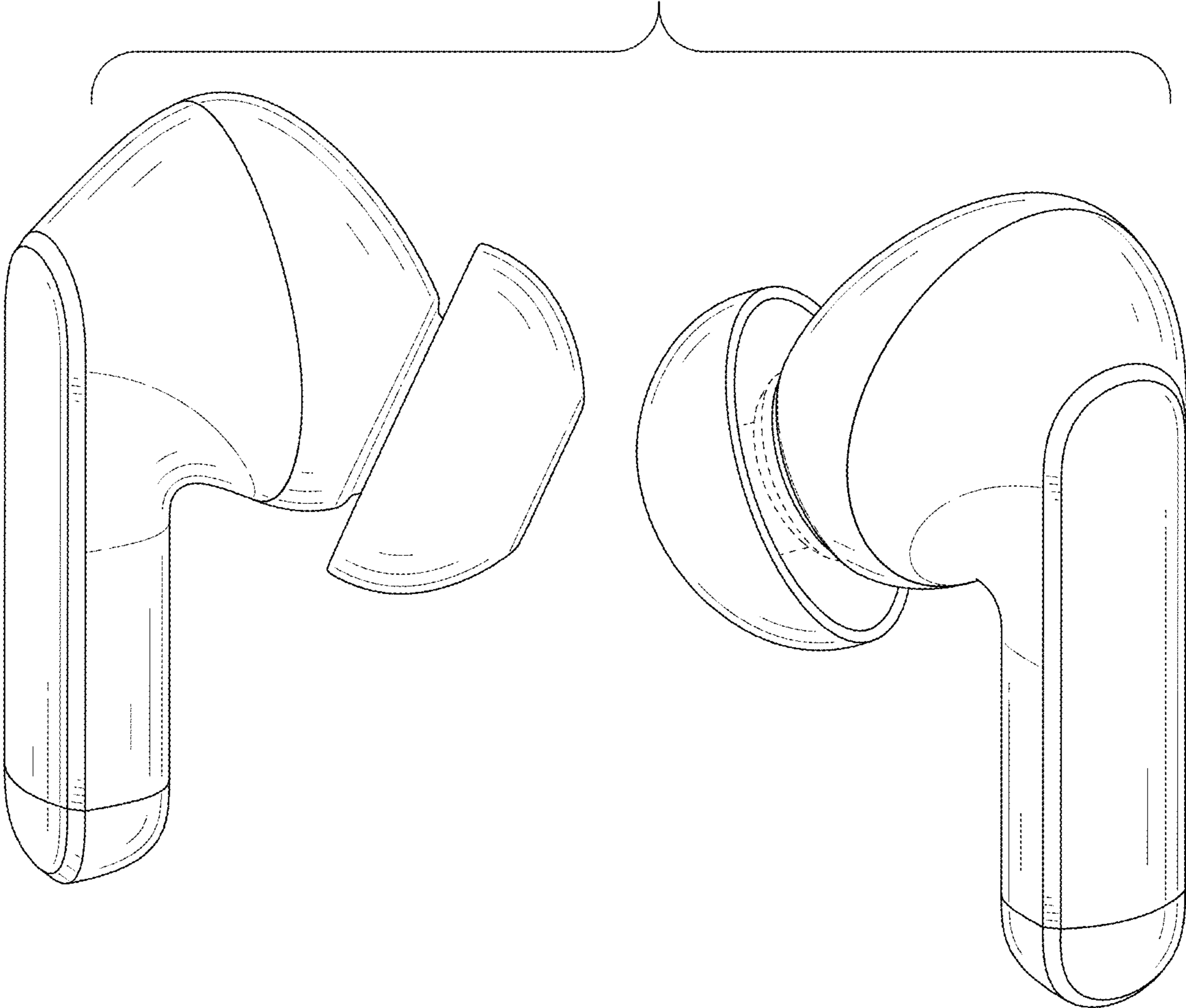


FIG. 2

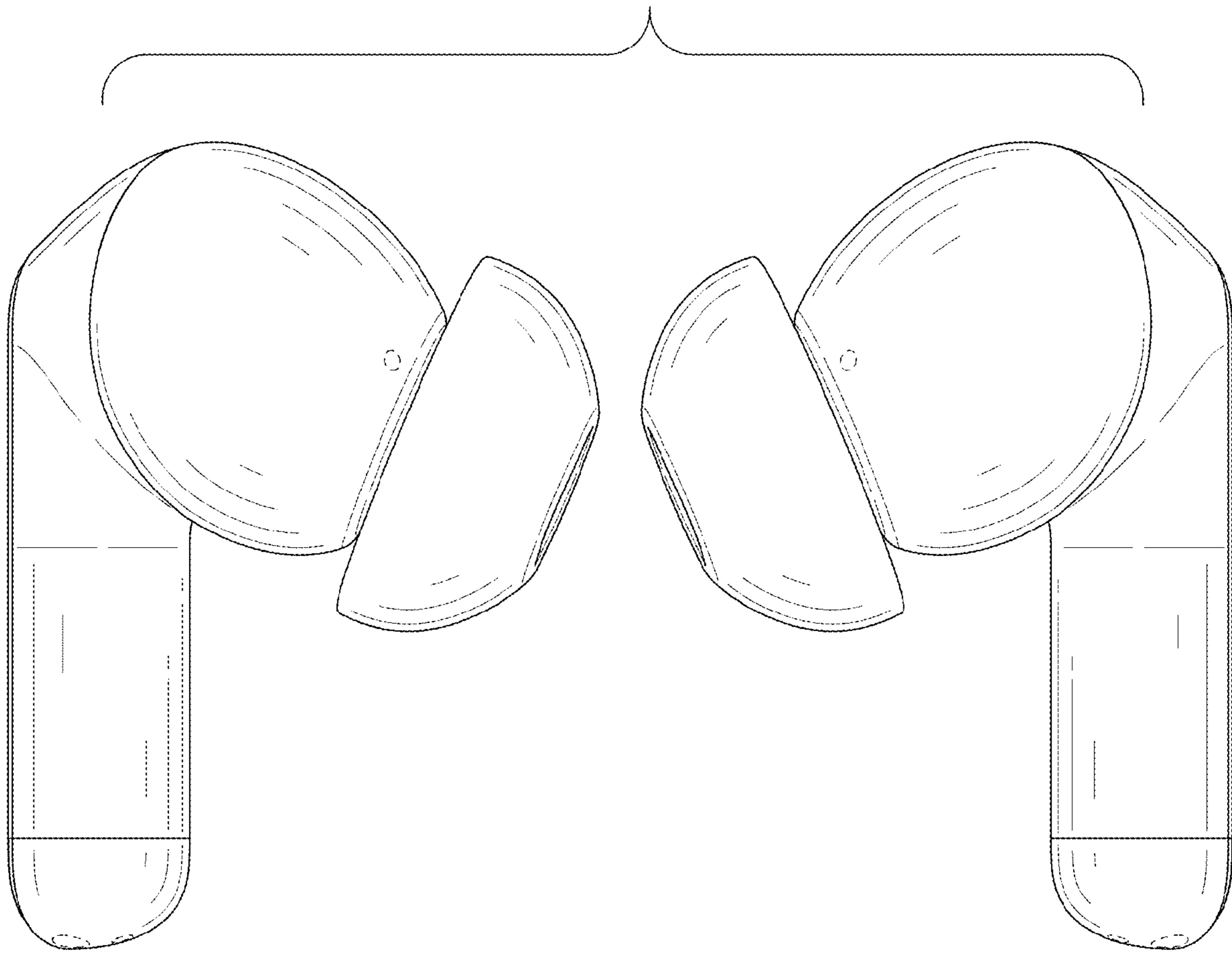


FIG. 3

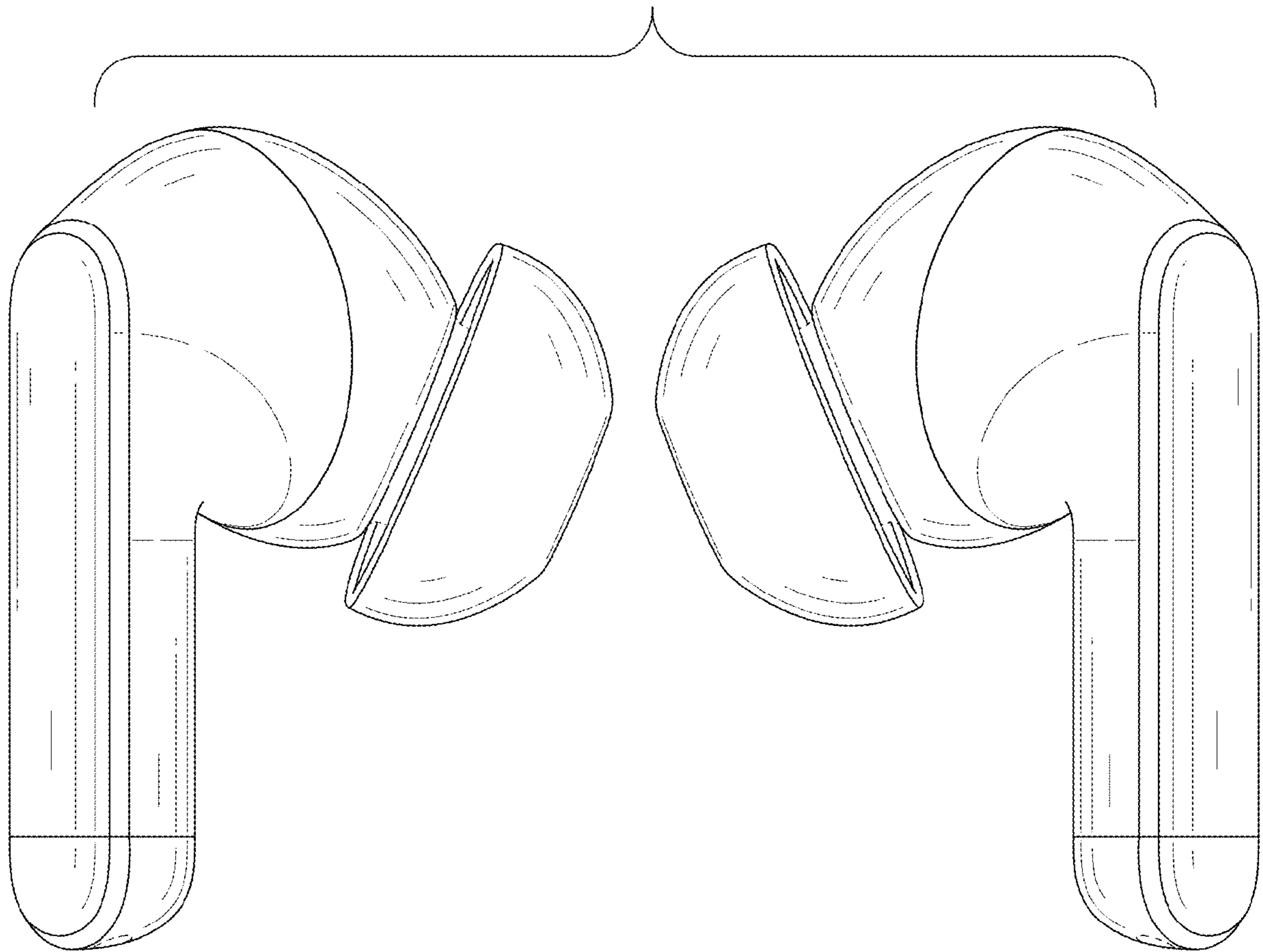


FIG. 4

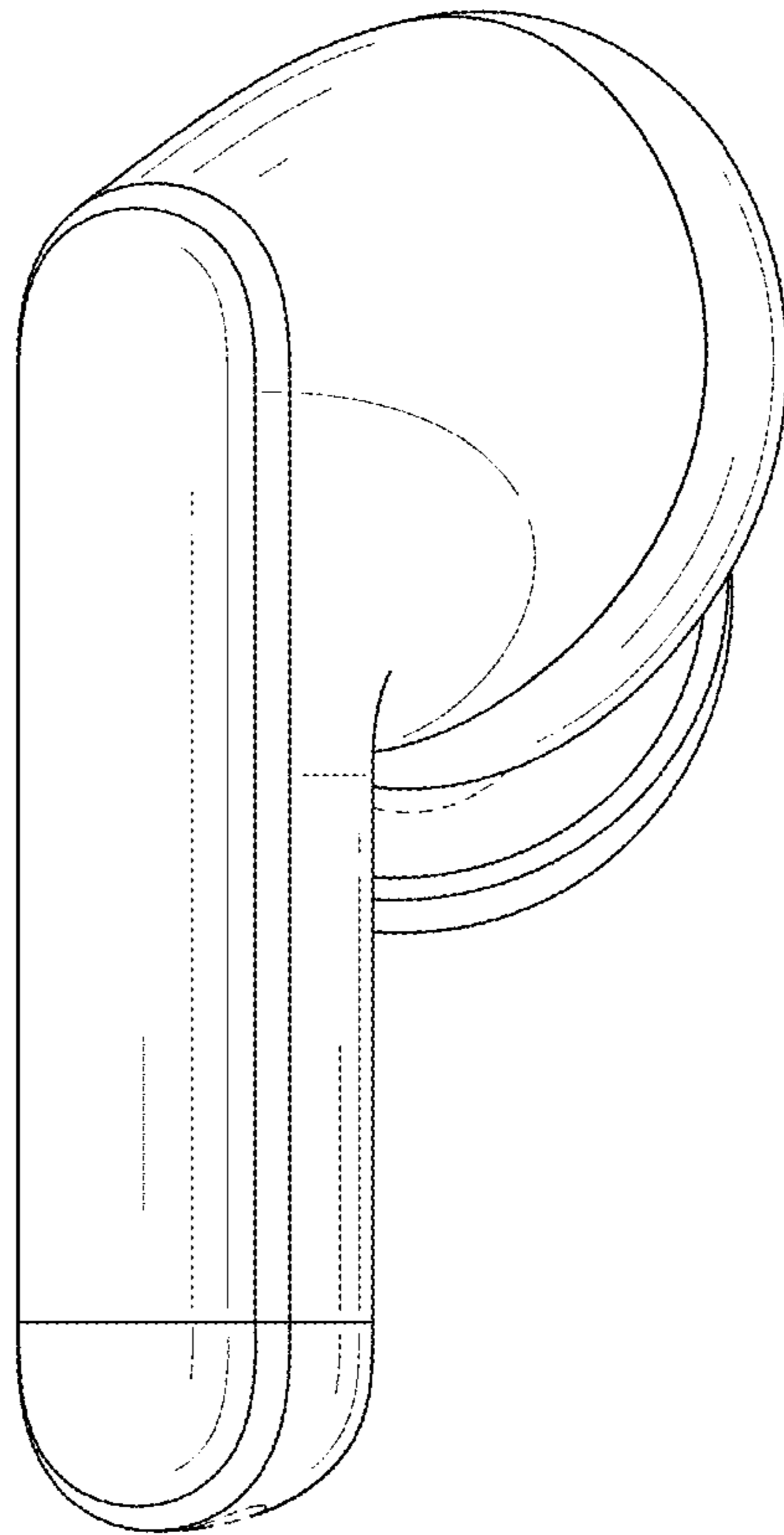


FIG. 5

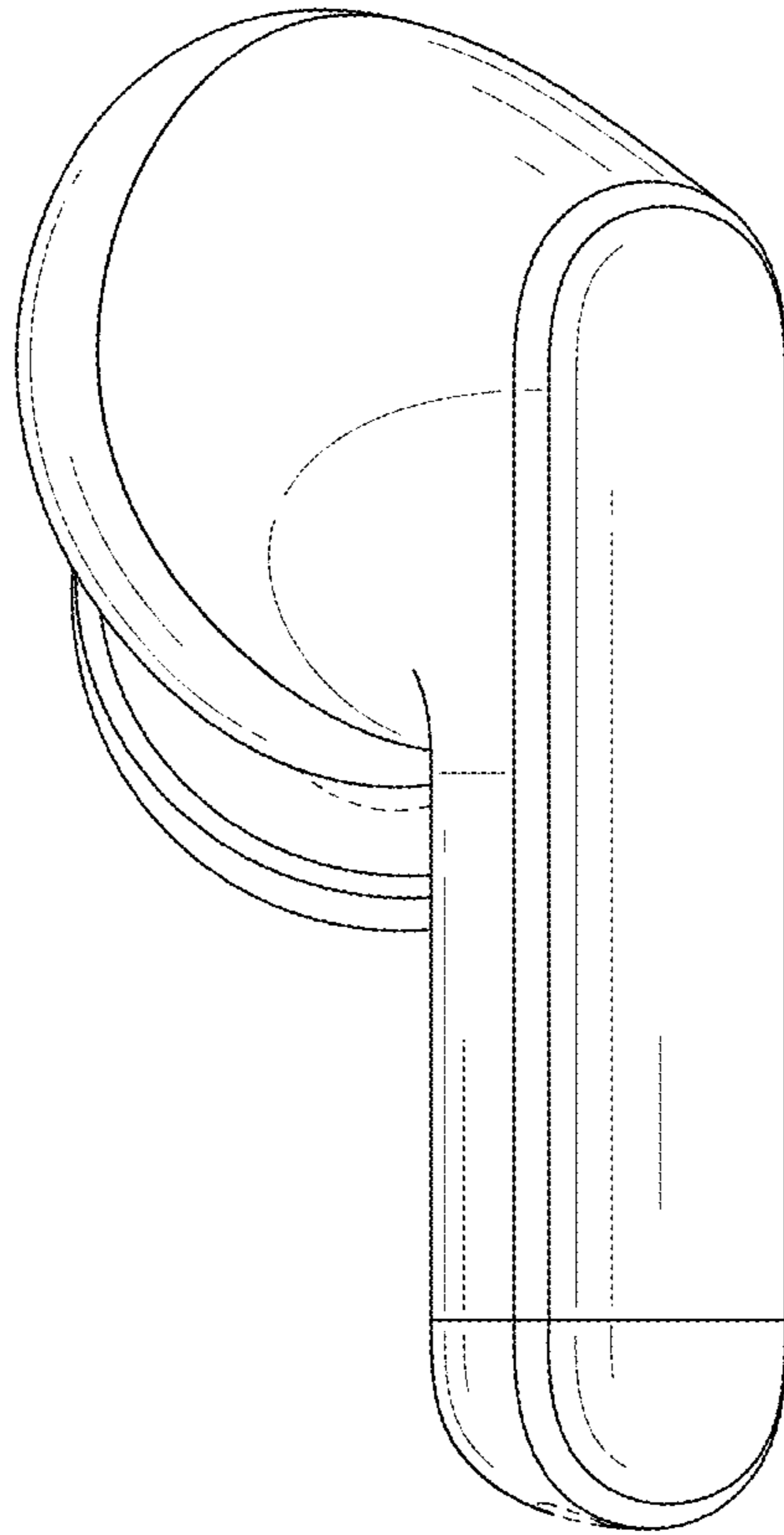


FIG. 6



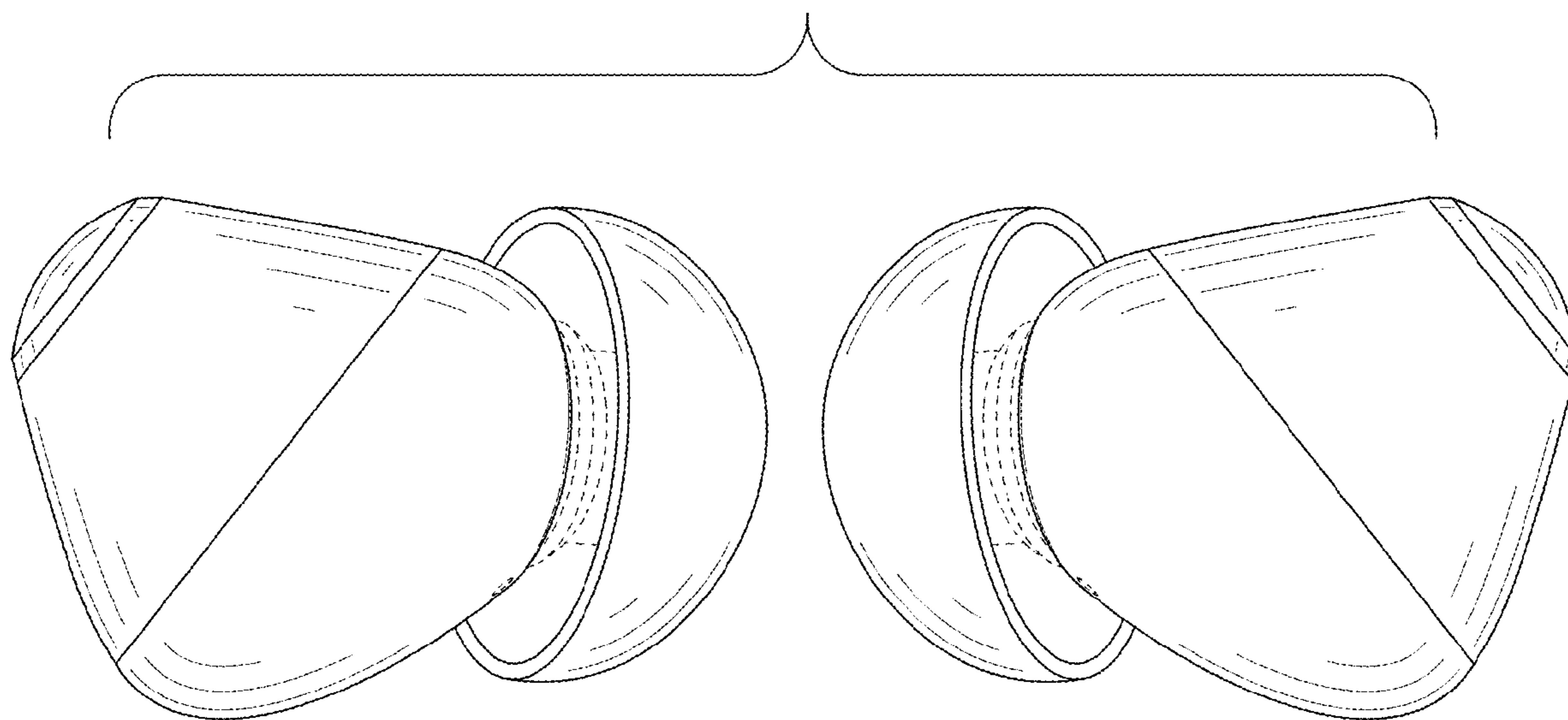


FIG. 7

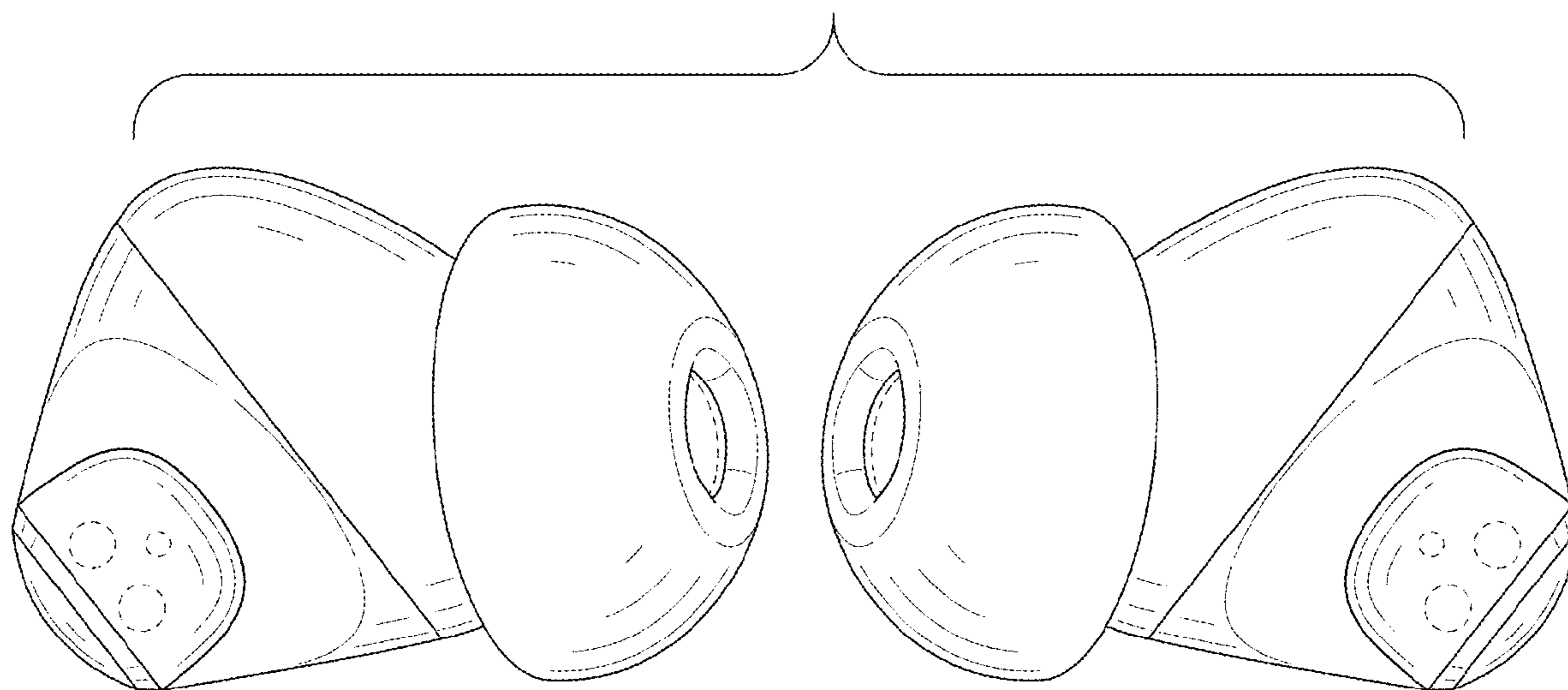


FIG. 8