



US00D893459S

(12) **United States Design Patent**  
**Lum et al.**

(10) **Patent No.:** **US D893,459 S**

(45) **Date of Patent:** **\*\* Aug. 18, 2020**

- (54) **LOUDSPEAKER COVER**
- (71) Applicant: **Harman International Industries, Incorporated**, Northridge, CA (US)
- (72) Inventors: **Myk Wayne Lum**, Irvine, CA (US); **Joshua Edward Cantor**, Laguna Beach, CA (US); **Joseph Emerson**, Northridge, CA (US); **Jeffery Fay**, Farmington Hills, MI (US); **Wei Jun Tang**, Shenzhen (CN)
- (73) Assignee: **Harman International Industries, Incorporated**, Northridge, CA (US)
- (\*\*) Term: **15 Years**
- (21) Appl. No.: **29/631,564**
- (22) Filed: **Dec. 29, 2017**
- (51) **LOC (12) Cl.** ..... **14-01**
- (52) **U.S. Cl.**  
USPC ..... **D14/219**
- (58) **Field of Classification Search**  
USPC ..... D14/167, 168, 170–172, 188, 194–196, D14/204, 209.1, 210–216, 219, 221, 222, D14/239, 496; D12/204  
CPC ..... B60R 11/0217; G06F 1/1688; G10K 9/22; G10K 11/004; H03F 1/327; H04M 1/03; H04M 1/035; H04N 5/642; H04N 21/4852; H04R 1/02; H04R 1/06; H04R 1/021; H04R 1/025; H04R 1/026; H04R 1/028; H04R 1/105; H04R 1/323; H04R 1/403; H04R 1/2803; H04R 1/2834; H04R 5/02; H04R 7/20; H04R 9/06; H04R 9/025; H04R 2201/021; H04R 2400/00; H04R 2400/07; H04R 2499/11; H04R 2499/13; H04R 2499/15; H04S 3/00; H04S 7/30  
See application file for complete search history.

D572,240 S *	7/2008	Nakane	.....	D14/219
D583,803 S	12/2008	Lum et al.		
D585,882 S	2/2009	Lum et al.		
D725,083 S *	3/2015	Lau	.....	D14/224
D828,462 S *	9/2018	Sprowl	.....	D21/563
D835,025 S *	12/2018	Metros	.....	D12/209
D856,981 S *	8/2019	Bullimore	.....	D14/221
D858,487 S *	9/2019	Proni	.....	D14/219
D865,080 S *	10/2019	Sprowl	.....	D21/563

**FOREIGN PATENT DOCUMENTS**

EM 009090031-0001 4/2008

\* cited by examiner

*Primary Examiner* — Keli L Hill

(74) *Attorney, Agent, or Firm* — Plumsea Law Group, LLC

(57) **CLAIM**

The ornamental design for a loudspeaker cover, as shown and described.

**DESCRIPTION**

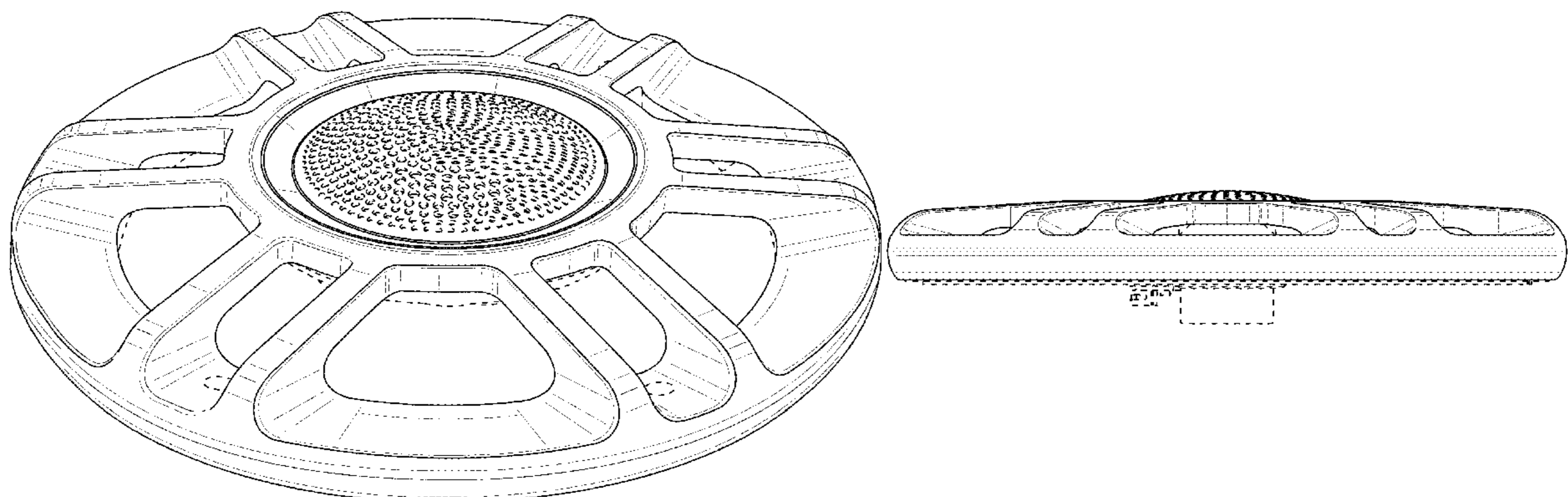
FIG. 1 is a perspective view of a loudspeaker showing the new design;  
 FIG. 2 is a top plan view thereof;  
 FIG. 3 is a bottom plan view thereof;  
 FIG. 4 is a front elevational view thereof;  
 FIG. 5 is a rear elevational view thereof;  
 FIG. 6 is a side elevational view thereof; and,  
 FIG. 7 is an opposite side elevational view thereof.

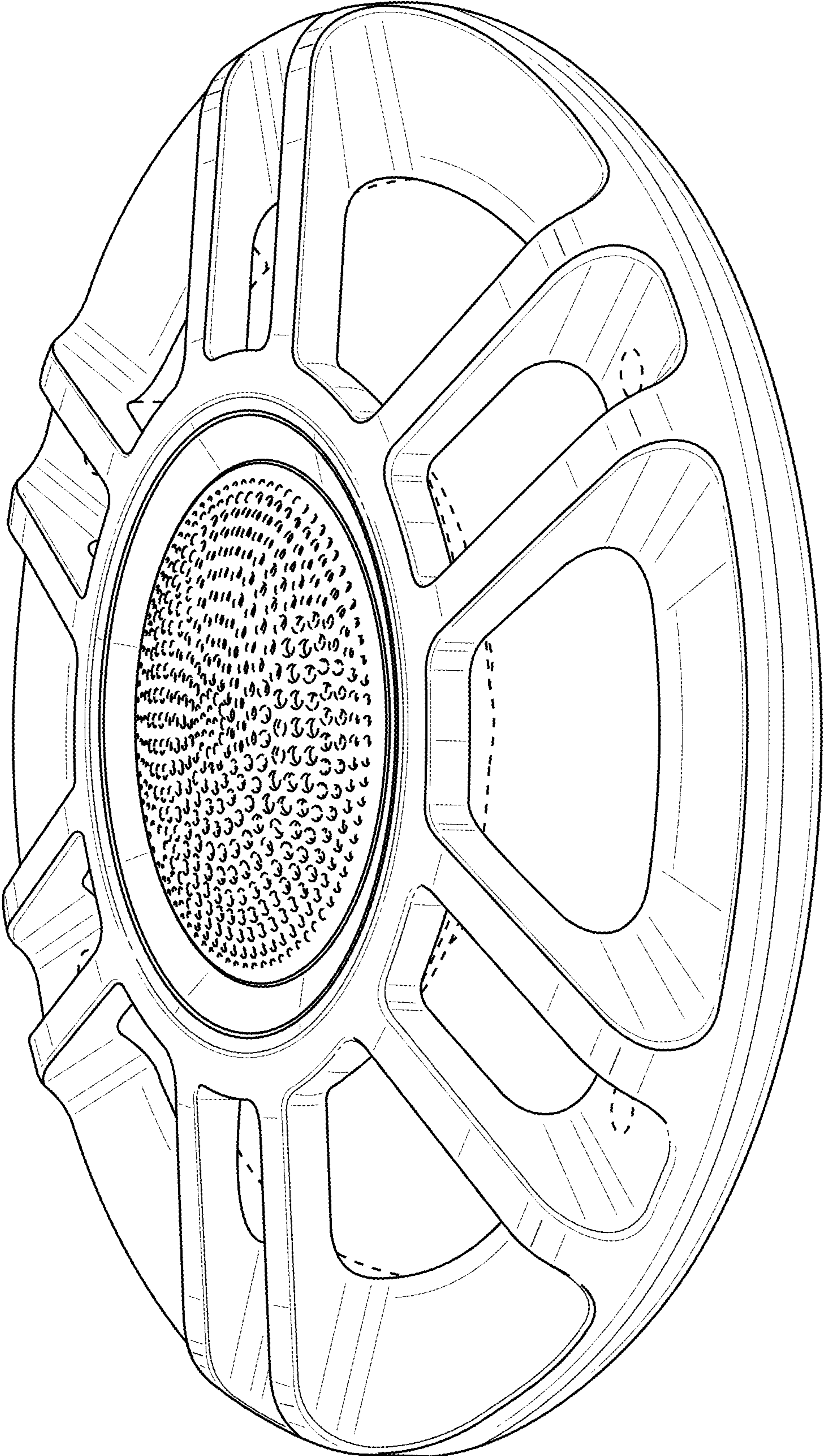
The broken lines and unshaded areas form no part of the claimed design.

The shading on the loudspeaker is provided merely to represent contours of the design and does not connote the character of the surfaces such as any specific texture, material, gloss, translucence, transparency, surface treatment, or surface decoration.

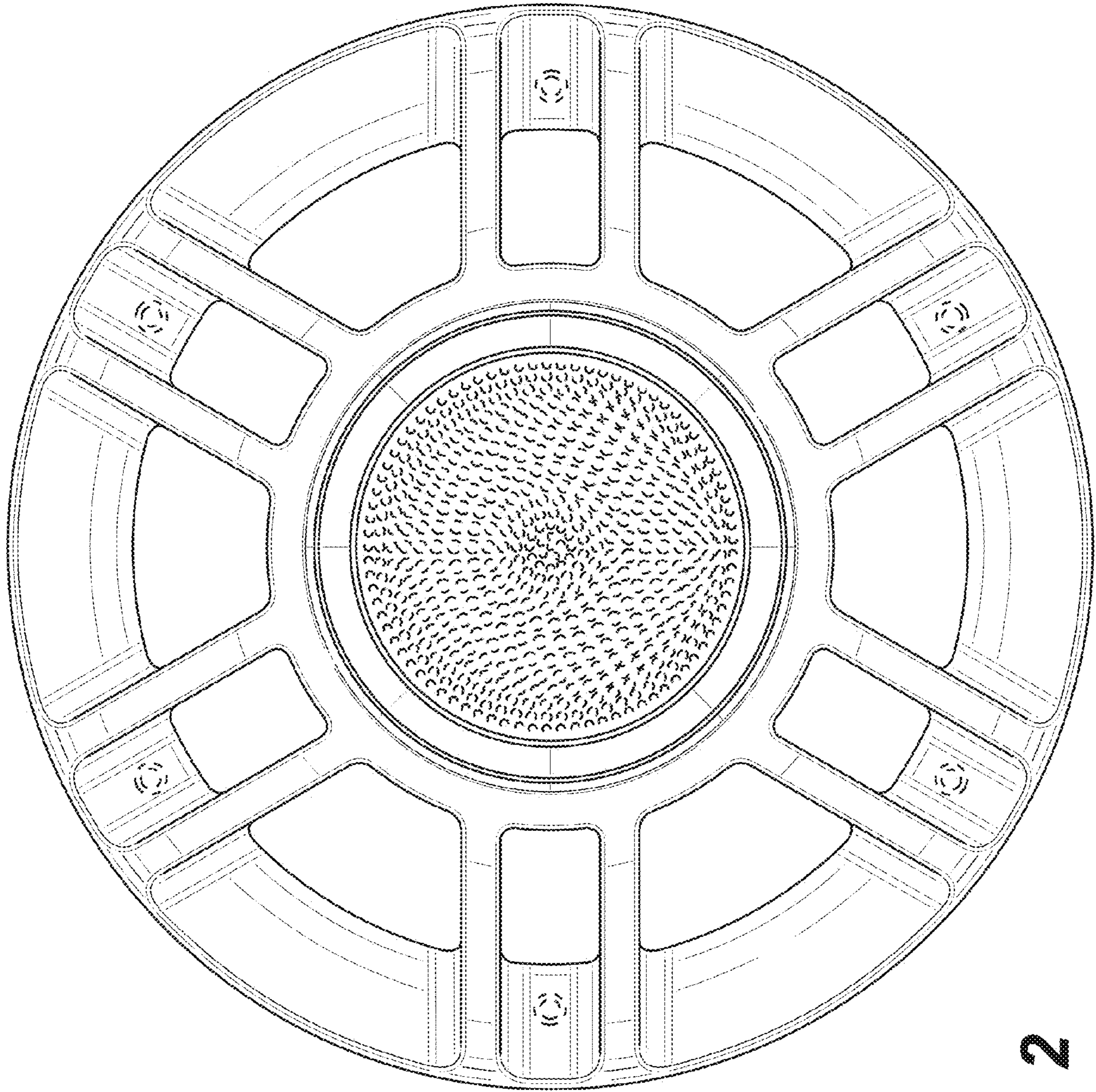
**1 Claim, 7 Drawing Sheets**

- (56) **References Cited**  
U.S. PATENT DOCUMENTS  
D480,070 S \* 9/2003 Hakoda ..... D14/216  
D488,801 S \* 4/2004 Shindo ..... D14/216

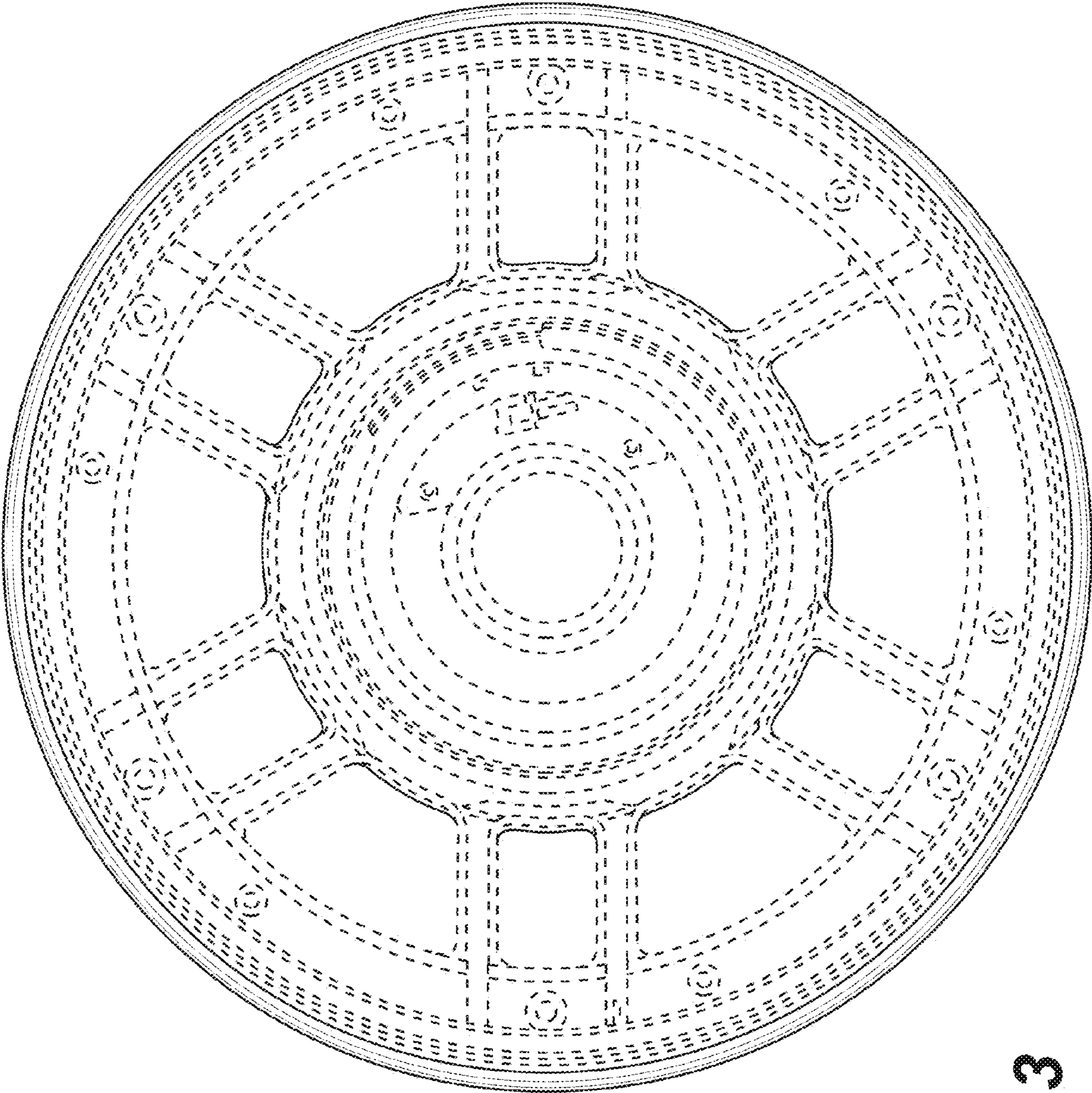




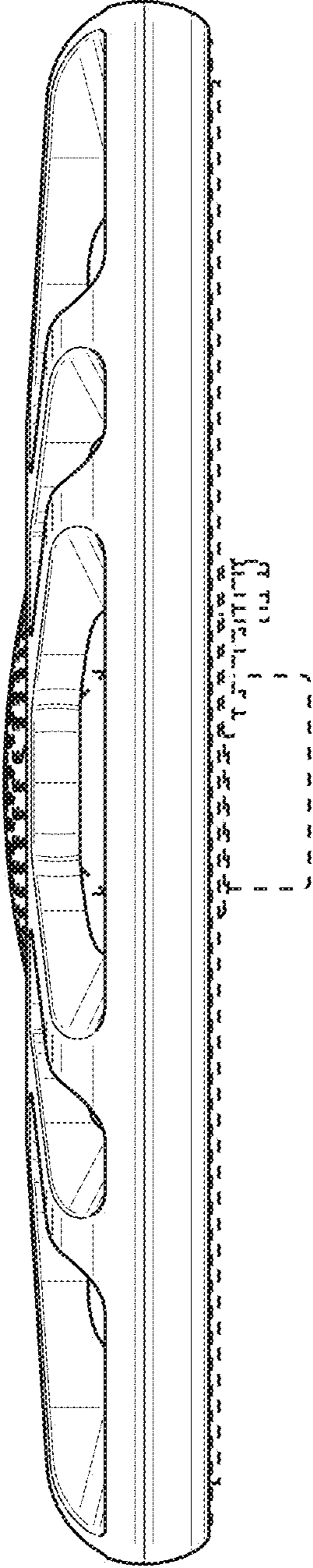
**FIG. 1**



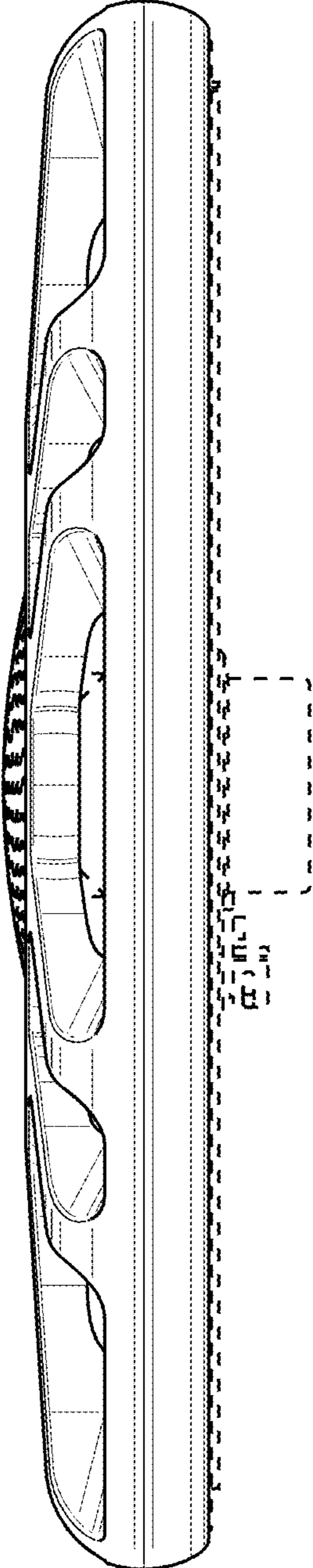
**FIG. 2**



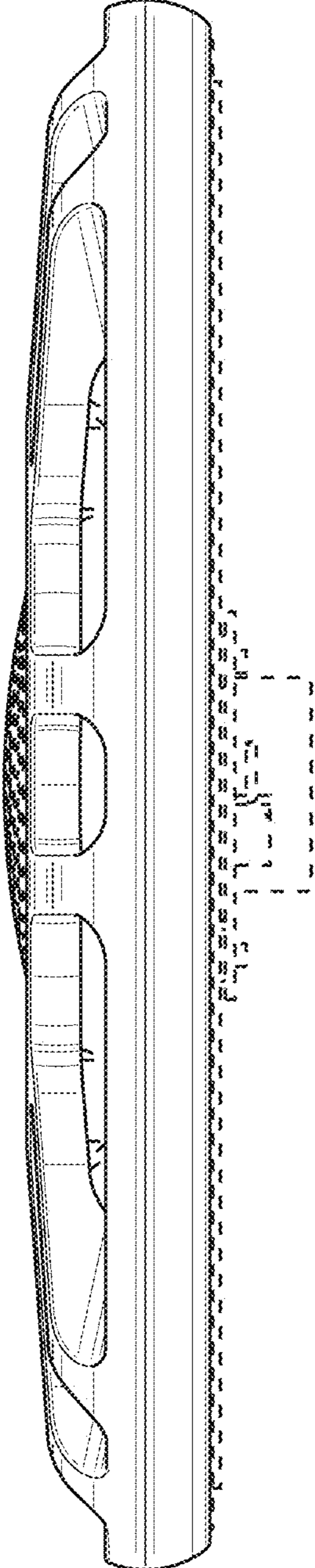
**FIG. 3**



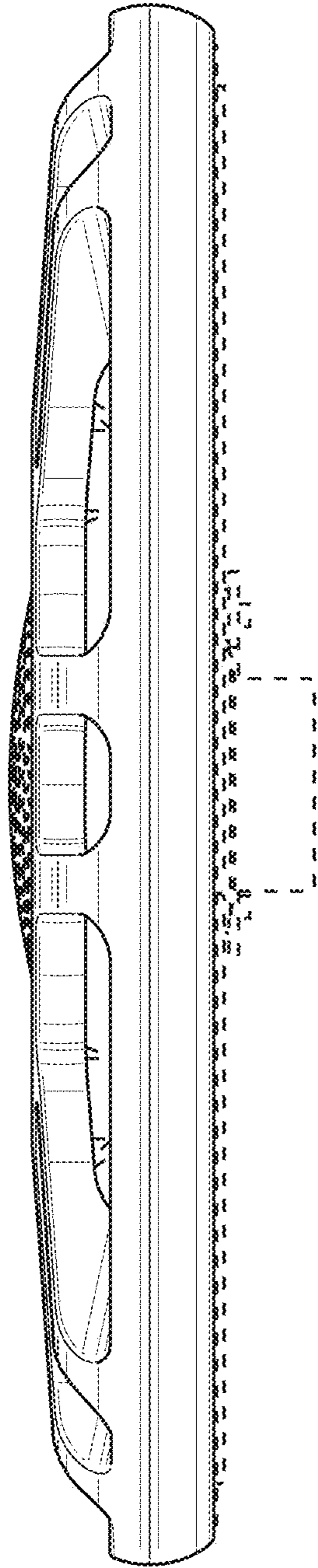
**FIG. 4**



**FIG. 5**



**FIG. 6**



**FIG. 7**