



US00D893458S

(12) **United States Design Patent**
Takubo

(10) **Patent No.:** **US D893,458 S**

(45) **Date of Patent:** **** Aug. 18, 2020**

(54) **HEADSHELL**

H04R 3/002; H04R 3/005; H04R 3/007;
H04R 5/04; H04R 7/06; H04R 7/12;
H04R 7/20

(71) Applicant: **Audio-Technica Corporation**, Tokyo
(JP)

See application file for complete search history.

(72) Inventor: **Yosuke Takubo**, Tokyo (JP)

(56) **References Cited**

(73) Assignee: **Audio-Technica Corporation**, Tokyo
(JP)

U.S. PATENT DOCUMENTS

(**) Term: **15 Years**

D179,570	S	*	1/1957	Heintze	D14/262
3,552,816	A	*	1/1971	Wolanin	A47B 81/06 312/8.4
4,004,817	A	*	1/1977	Shimoda	G11B 3/08 369/244.1
D260,766	S	*	9/1981	Vachus	D14/261
D261,388	S	*	10/1981	Vachus	D14/261
D277,178	S	*	1/1985	Morita	D14/203
4,524,438	A	*	6/1985	Einhaus	E05F 1/1215 16/306
D282,839	S	*	3/1986	Vinogradov	D14/262
D494,158	S	*	8/2004	Warden	D14/262

(21) Appl. No.: **29/680,251**

(22) Filed: **Feb. 14, 2019**

(30) **Foreign Application Priority Data**

Aug. 20, 2018 (JP) 2018-018054

(51) **LOC (12) Cl.** **14-03**

(52) **U.S. Cl.**
USPC **D14/217**

(58) **Field of Classification Search**
USPC D14/217, 240, 204, 207, 209, 210, 211,
D14/212, 213, 214, 215, 216, 221, 222,
D14/224
CPC H04R 2201/003; H04R 2420/07;
H04R 3/12; H04R 27/00; H04R 9/08;
H04R 19/04; H04R 1/1016; H04R
1/2857; H04R 2410/03; H04R 2499/11;
H04R 31/00; H04R 17/00; H04R 19/005;
H04R 19/016; H04R 1/026; H04R 1/04;
H04R 1/08; H04R 1/008; H04R 1/1041;
H04R 1/1075; H04R 1/1083; H04R 1/24;
H04R 1/2834; H04R 1/2846; H04R
1/2892; H04R 1/323; H04R 1/406; H04R
2225/33; H04R 2225/41; H04R 2225/49;
H04R 2410/01; H04R 2430/01; H04R
2460/03; H04R 25/453; H04R 25/505;
H04R 25/554; H04R 25/606; H04R
29/001; H04R 29/004; H04R 29/005;

* cited by examiner

Primary Examiner — Khawaja Anwar

(74) *Attorney, Agent, or Firm* — W&C IP

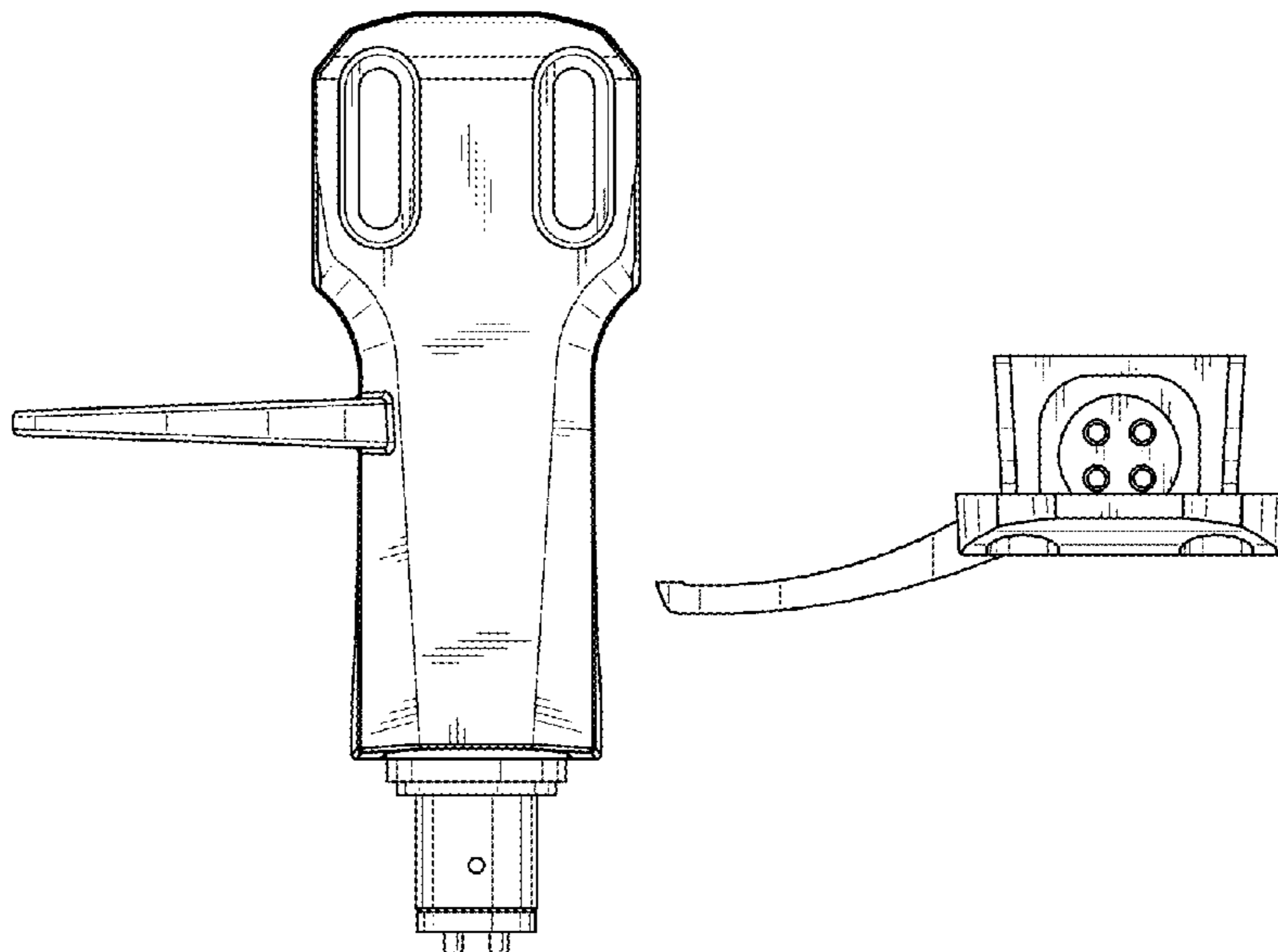
(57) **CLAIM**

The ornamental design for a headshell, as shown and described.

DESCRIPTION

FIG. 1 is a front view of a headshell;
FIG. 2 is a rear view thereof;
FIG. 3 is a left side view thereof;
FIG. 4 is a right side view thereof;
FIG. 5 is a top plan view thereof; and,
FIG. 6 is a bottom plan view thereof; showing our design.
The present article is a headshell which is an adapter for attaching a cartridge of a record player to a tonearm. The design shown is not to be limited to any particular size and may be scaled larger or smaller.

1 Claim, 3 Drawing Sheets



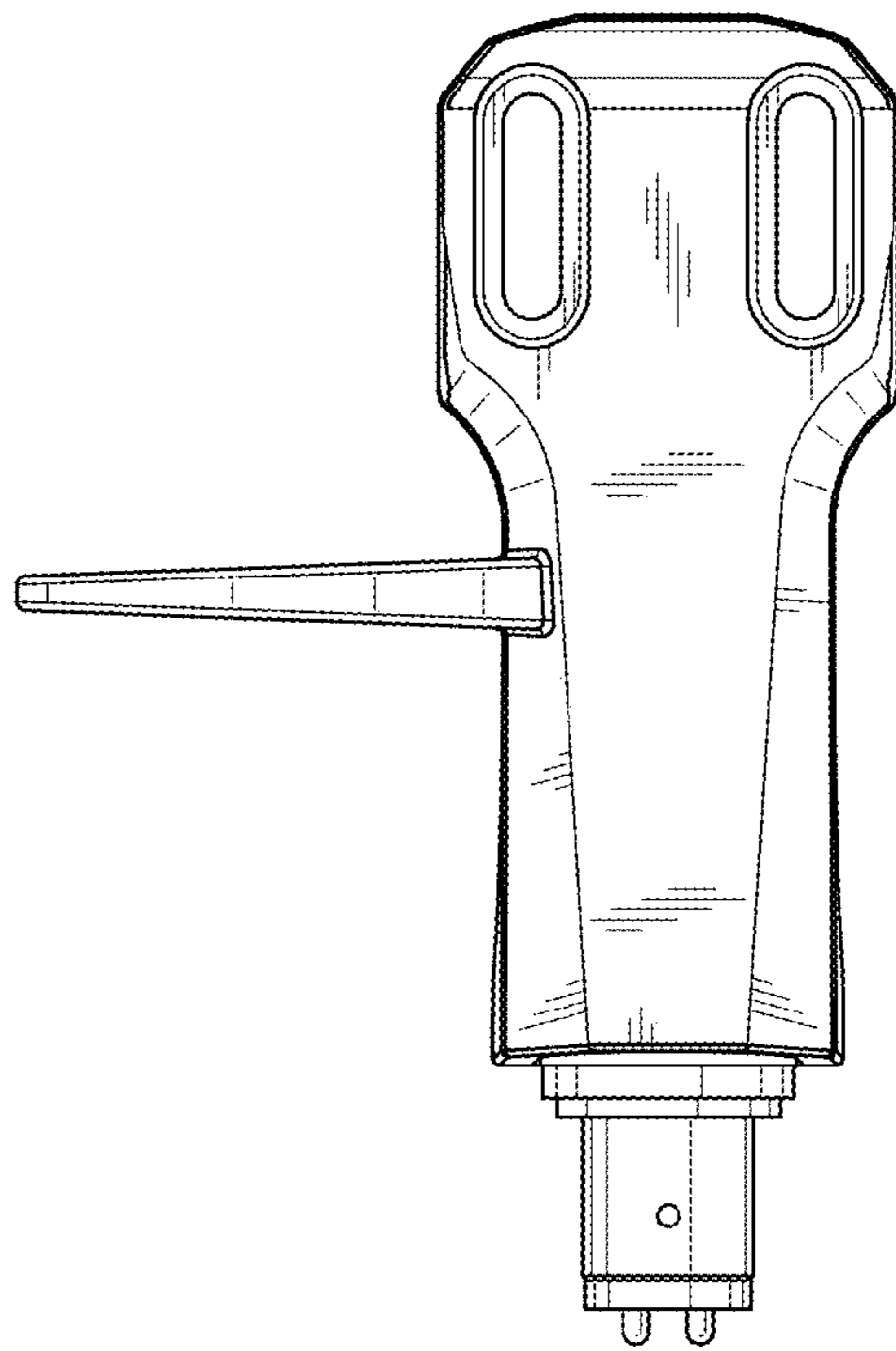


FIG. 1

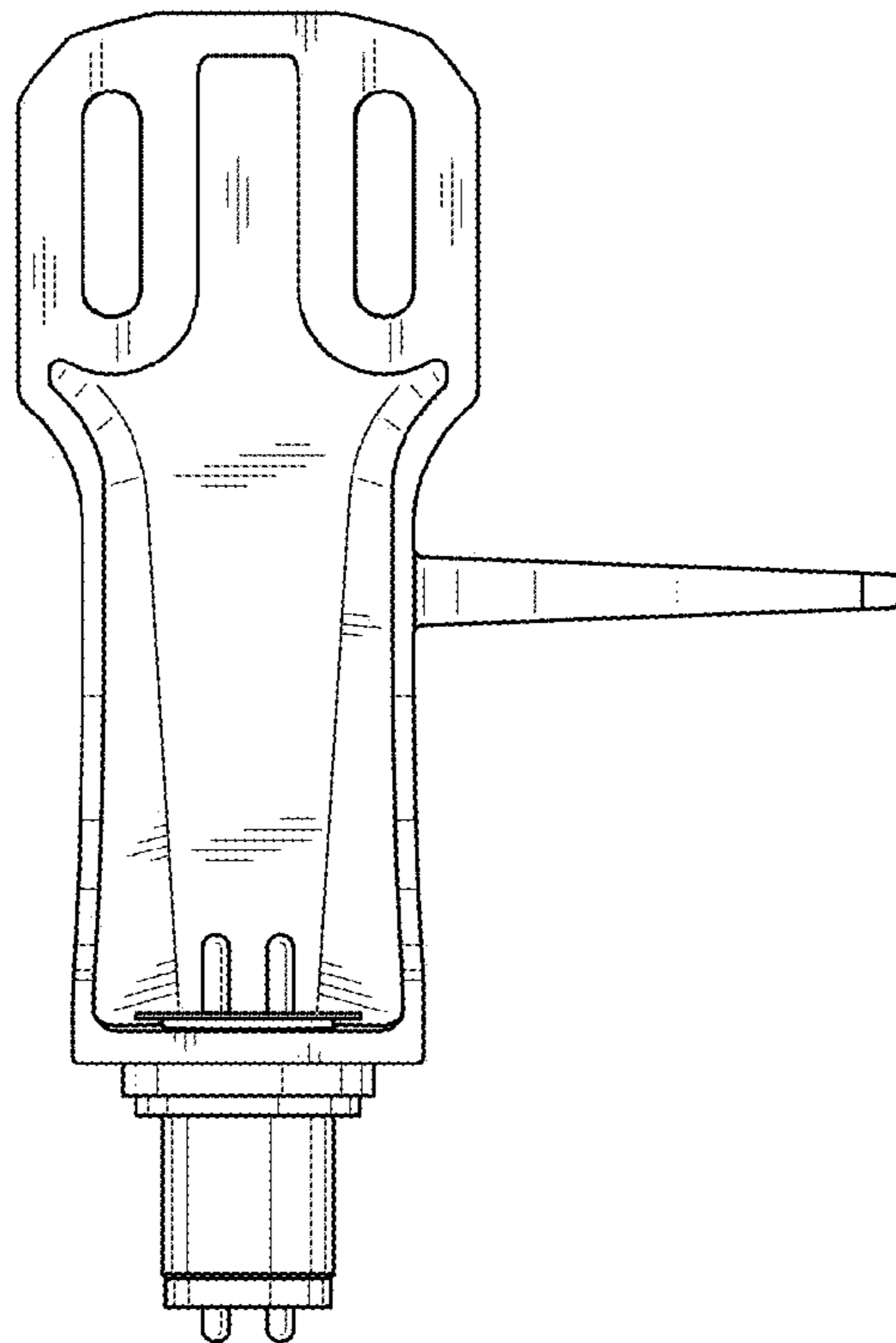


FIG. 2

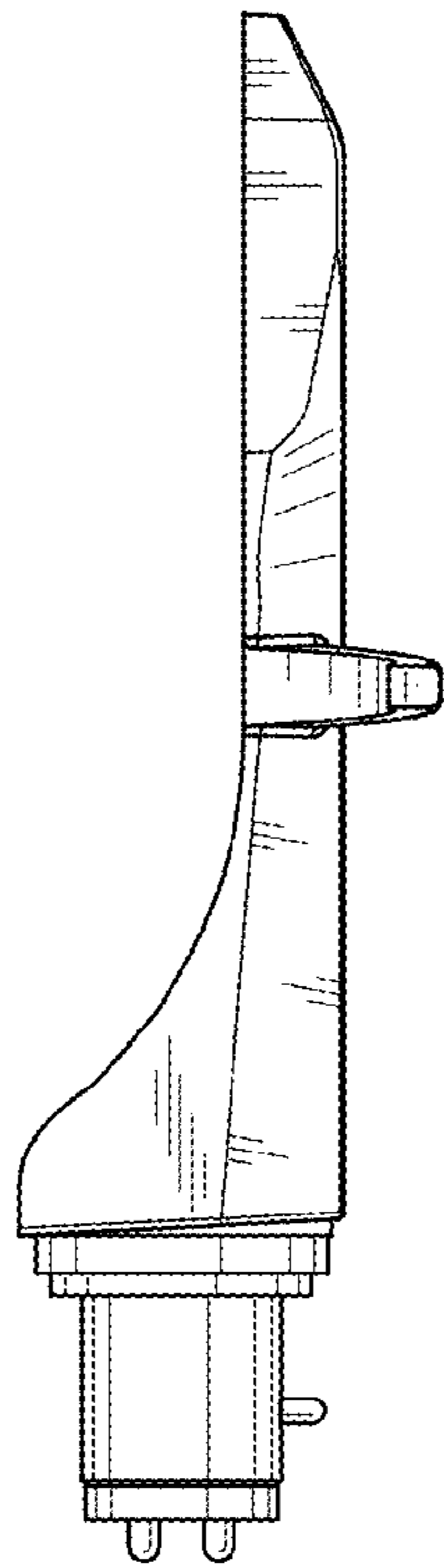


FIG. 3

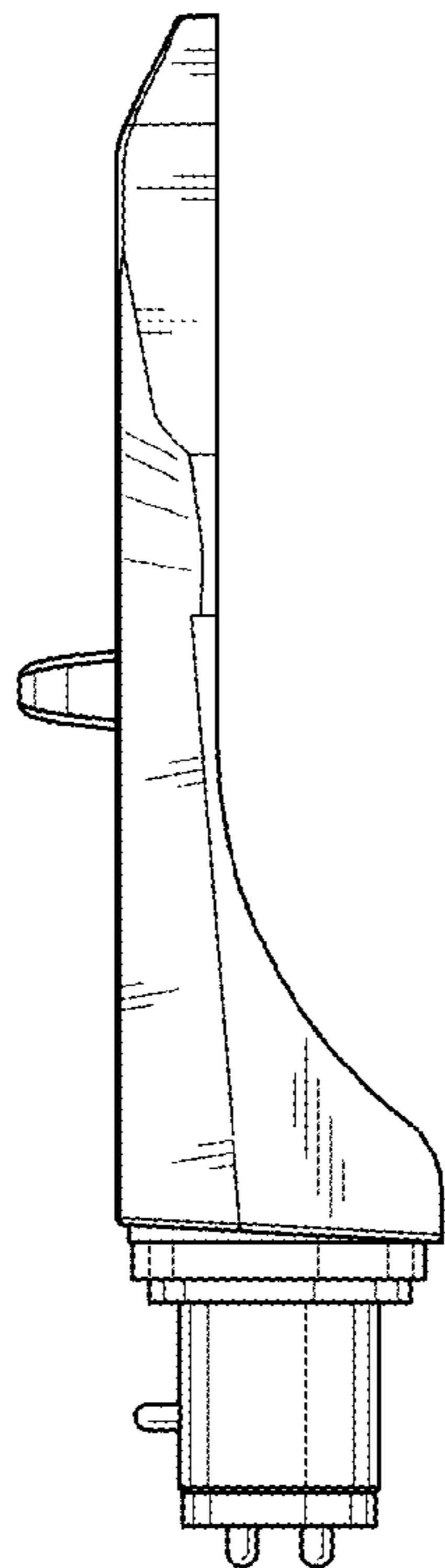


FIG. 4

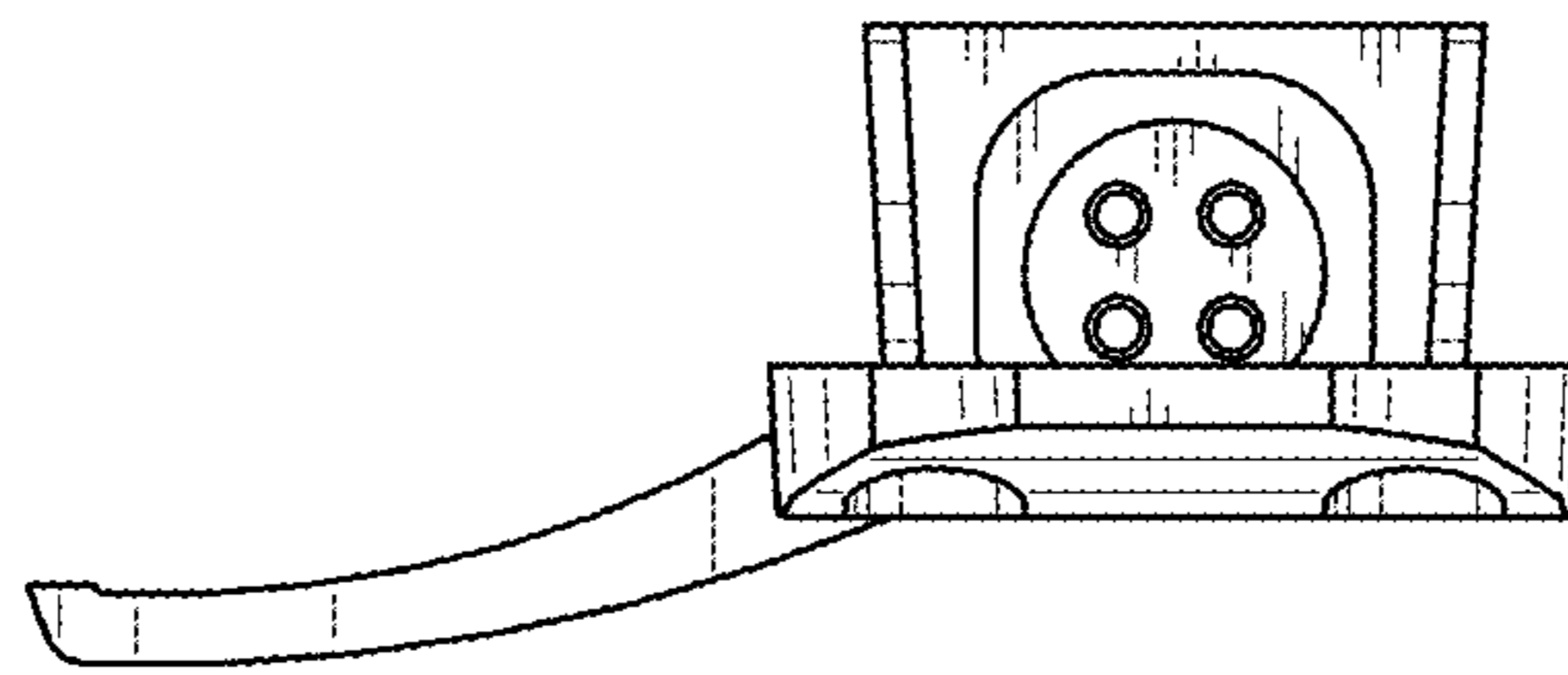


FIG. 5

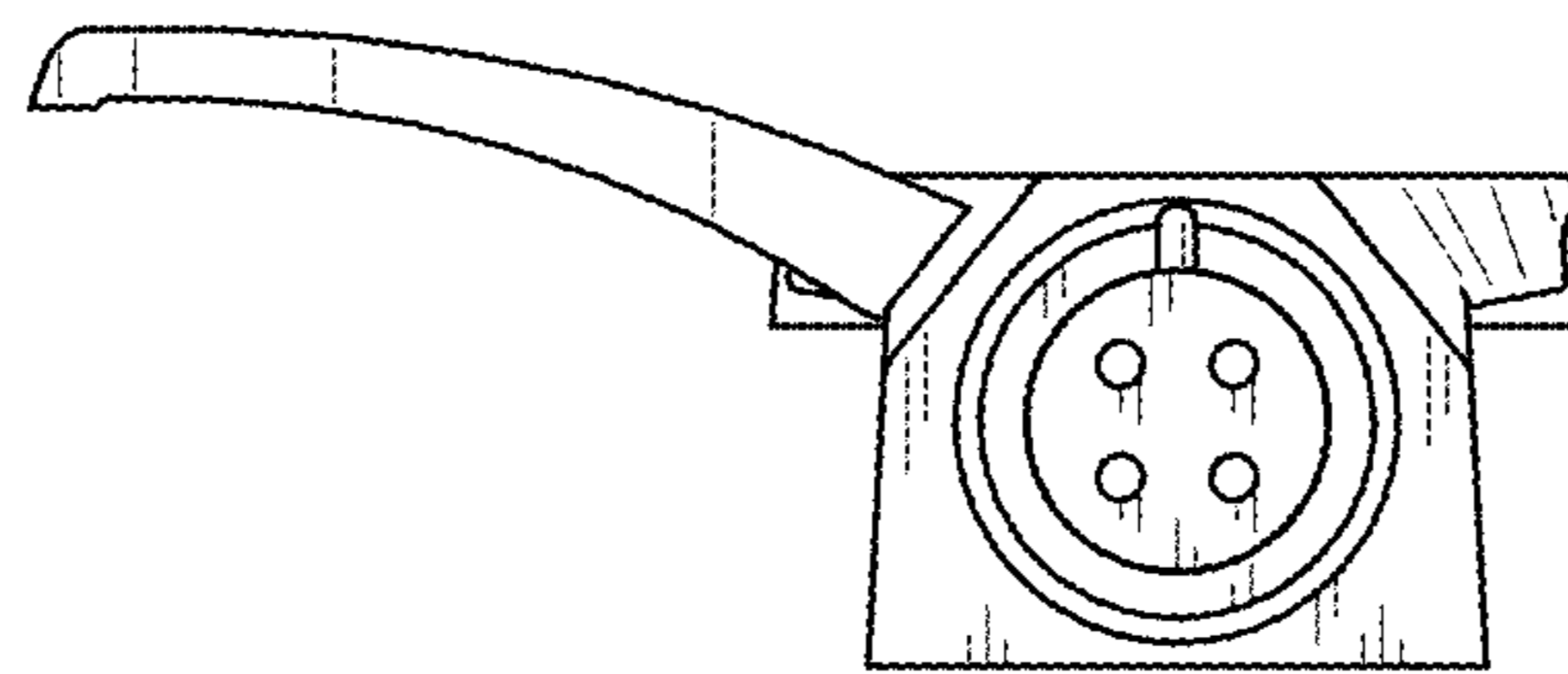


FIG. 6