



US00D893453S

(12) **United States Design Patent**
Levine et al.

(10) **Patent No.:** **US D893,453 S**
(45) **Date of Patent:** **** Aug. 18, 2020**

- (54) **EAR COVER BACKING PORTION OF HEADPHONE DEVICE**
- (71) Applicant: **New Audio LLC**, New York, NY (US)
- (72) Inventors: **Jonathan E. Levine**, New York, NY (US); **Drew Stone Briggs**, Seattle, WA (US); **Marten Andersson**, Malmö (SE); **Thomas C. Wilson**, Brooklyn, NY (US)
- (73) Assignee: **New Audio LLC**, New York, NY (US)
- (**) Term: **15 Years**
- (21) Appl. No.: **29/668,788**
- (22) Filed: **Nov. 1, 2018**

1,367,746 A	2/1921	Kent	
1,483,315 A	2/1924	Saal	
1,489,978 A *	4/1924	Byron	H04R 1/1008
			181/129
1,587,409 A	6/1926	Ouille	
1,649,551 A	11/1927	Smith	
2,235,372 A	3/1941	Kalbitz	
2,394,374 A	2/1946	Gilman	
2,413,345 A	12/1946	Gilman	
2,486,267 A	10/1949	Dulinsky	
D156,329 S	12/1949	Federico et al.	
2,510,344 A	6/1950	Law	
2,782,423 A	2/1957	Simon et al.	
3,440,663 A	4/1969	Begu	
3,488,457 A	1/1970	Lahti	
3,797,045 A	3/1974	Aho	
3,922,725 A	12/1975	Csiki et al.	

(Continued)

Related U.S. Application Data

- (62) Division of application No. 29/596,857, filed on Mar. 10, 2017, now Pat. No. Des. 832,811, which is a division of application No. 29/535,635, filed on Aug. 7, 2015, now Pat. No. Des. 781,265.
- (51) **LOC (12) Cl.** **14-01**
- (52) **U.S. Cl.**
USPC **D14/205**
- (58) **Field of Classification Search**
USPC D14/205, 223, 188, 192; D29/112;
2/209; 181/129, 130, 135; 379/430, 431;
381/380, 381, 374; 455/90.3, 575.1,
455/569.1
CPC H04R 1/1066; H04R 1/1016; H04R 5/033;
H04R 5/0335; H04R 25/00; H04R 1/10
See application file for complete search history.

(56) **References Cited**

U.S. PATENT DOCUMENTS

- 1,127,161 A 2/1915 Baldwin
- 1,289,826 A 12/1918 Lawton

FOREIGN PATENT DOCUMENTS

EM 003805571-0001 * 3/2017

Primary Examiner — Paula Allen Greene
(74) *Attorney, Agent, or Firm* — Holzer Patel Drennan

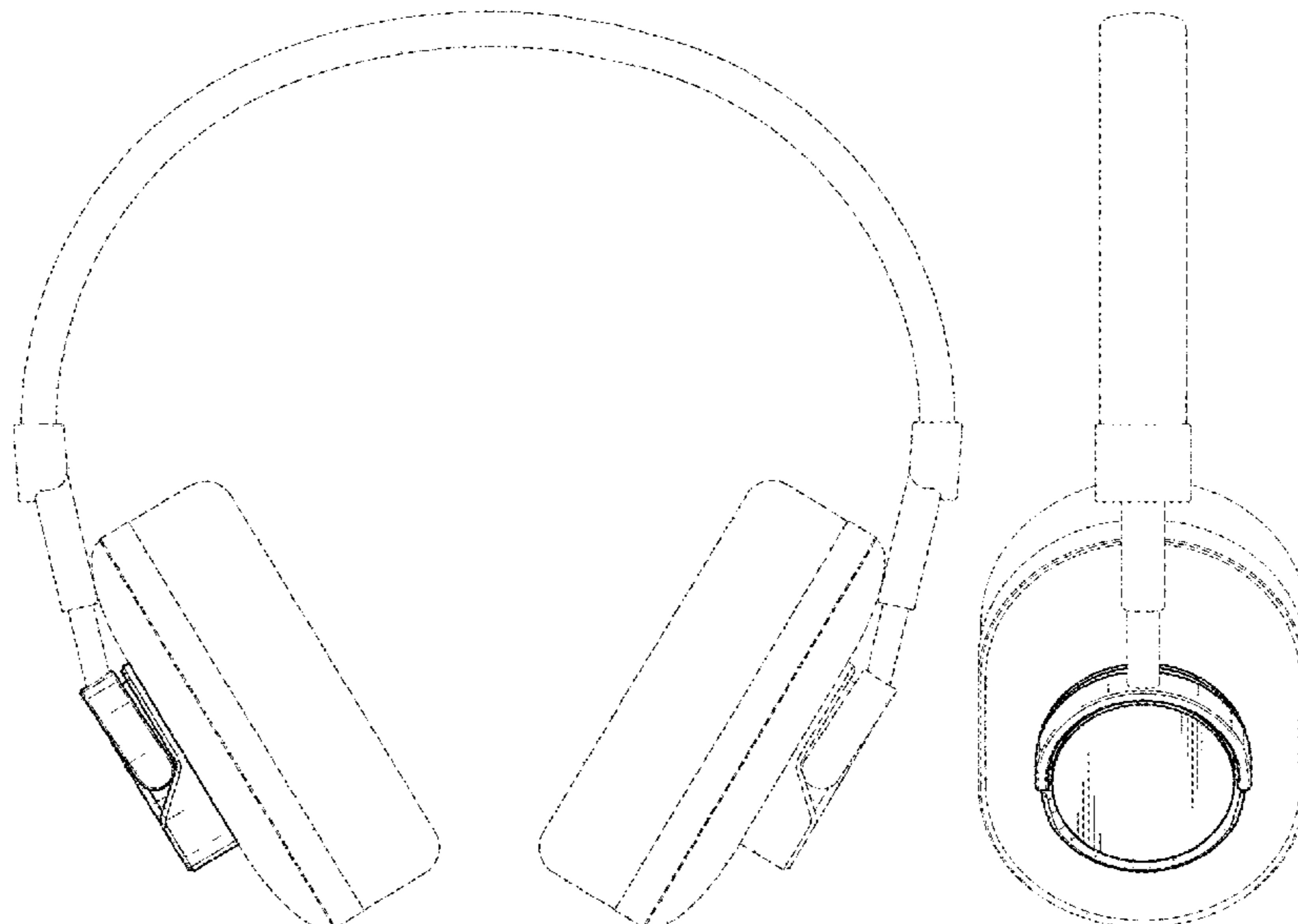
(57) **CLAIM**

The ornamental design for an ear cover backing portion of a headphone device, as shown and described.

DESCRIPTION

FIG. 1 is a perspective view of an ear cover backing portion of a headphone device showing our new design. FIG. 2 is a front profile view thereof. FIG. 3 is a back profile view thereof. FIG. 4 is a first side profile view thereof. FIG. 5 is a second side profile view thereof. FIG. 6 is a top plan view thereof; and, FIG. 7 is a bottom plan view thereof. The broken lines depict environment that forms no part of the claimed design.

1 Claim, 5 Drawing Sheets



(56)

References Cited

U.S. PATENT DOCUMENTS

4,175,217 A 11/1979 Williams
 4,472,607 A 9/1984 Hounng
 4,829,571 A 5/1989 Kakiuchi et al.
 5,035,005 A 7/1991 Hung
 5,233,650 A 8/1993 Chan
 5,293,647 A 3/1994 Mirmilshhteyn
 5,438,626 A 8/1995 Neuman
 5,457,751 A 10/1995 Such
 5,729,615 A 3/1998 Yang
 5,862,241 A 1/1999 Nelson
 D410,466 S 6/1999 Mouri et al.
 D424,150 S 5/2000 Post
 D431,550 S 10/2000 Yoneda
 D432,522 S 10/2000 Kieltyka et al.
 6,427,018 B1 7/2002 Keliiliki
 D484,485 S 12/2003 Matsuoka
 6,654,966 B2 12/2003 Rolla
 D508,483 S 8/2005 Suzuki
 D512,708 S 12/2005 Harris, Jr.
 D514,087 S 1/2006 Wilson et al.
 D517,527 S 3/2006 Suzuki
 D538,261 S * 3/2007 Taylor D14/205
 D560,654 S 1/2008 Feng
 D567,215 S 4/2008 Lee
 D573,581 S 7/2008 Gondo et al.
 D576,604 S * 9/2008 Suzuki D14/205
 D600,674 S 9/2009 Brennwald
 D633,367 S 3/2011 Scherr
 D633,895 S 3/2011 Morimoto
 D665,775 S * 8/2012 Katsumata D14/205
 8,325,962 B2 12/2012 Ishida
 D677,243 S * 3/2013 Kitayama D14/205
 D705,750 S * 5/2014 Wu H04R 1/1066
 D14/205
 8,737,668 B1 5/2014 Blair et al.
 8,755,555 B2 6/2014 Dougherty et al.
 D716,762 S * 11/2014 Greve D14/206

D722,998 S 2/2015 Sancho et al.
 D727,280 S 4/2015 Levine
 D727,281 S 4/2015 Levine
 D733,090 S 6/2015 Petersen
 D733,092 S * 6/2015 Gan D14/205
 D736,174 S 8/2015 Levine
 D736,175 S 8/2015 Levine
 D736,185 S 8/2015 Yaegashi et al.
 D741,842 S 10/2015 Levine
 D762,190 S * 7/2016 Levine D14/205
 D762,191 S * 7/2016 Levine D14/205
 D772,841 S 11/2016 Levine
 D780,155 S * 2/2017 Levine D14/205
 D781,265 S * 3/2017 Levine D14/205
 D781,814 S 3/2017 Levine
 9,729,954 B2 8/2017 Levine et al.
 D805,056 S 12/2017 Levine
 D810,055 S 2/2018 Levine
 D811,365 S * 2/2018 Czaniecki D14/205
 D812,588 S * 3/2018 Levine D14/205
 D815,614 S * 4/2018 Tzeng D14/205
 D820,810 S * 6/2018 Levine D14/205
 D826,208 S * 8/2018 Czaniecki D14/205
 D832,811 S 11/2018 Levine et al.
 D832,813 S 11/2018 Levine et al.
 D836,600 S * 12/2018 Lee D14/206
 D845,928 S * 4/2019 Lee D14/206
 D852,166 S * 6/2019 Levine D14/205
 D857,654 S * 8/2019 Levine D14/205
 D878,329 S * 3/2020 Levine D14/205
 2008/0056525 A1 3/2008 Fujiwara et al.
 2010/0177907 A1 7/2010 Morisawa
 2012/0070028 A1 3/2012 Margulies
 2017/0041697 A1 2/2017 Levine et al.
 2017/0134845 A1 5/2017 Milam et al.
 2017/0339479 A1 11/2017 Levine
 2018/0020277 A1 1/2018 Briggs
 2018/0020278 A1 1/2018 Levine et al.

* cited by examiner

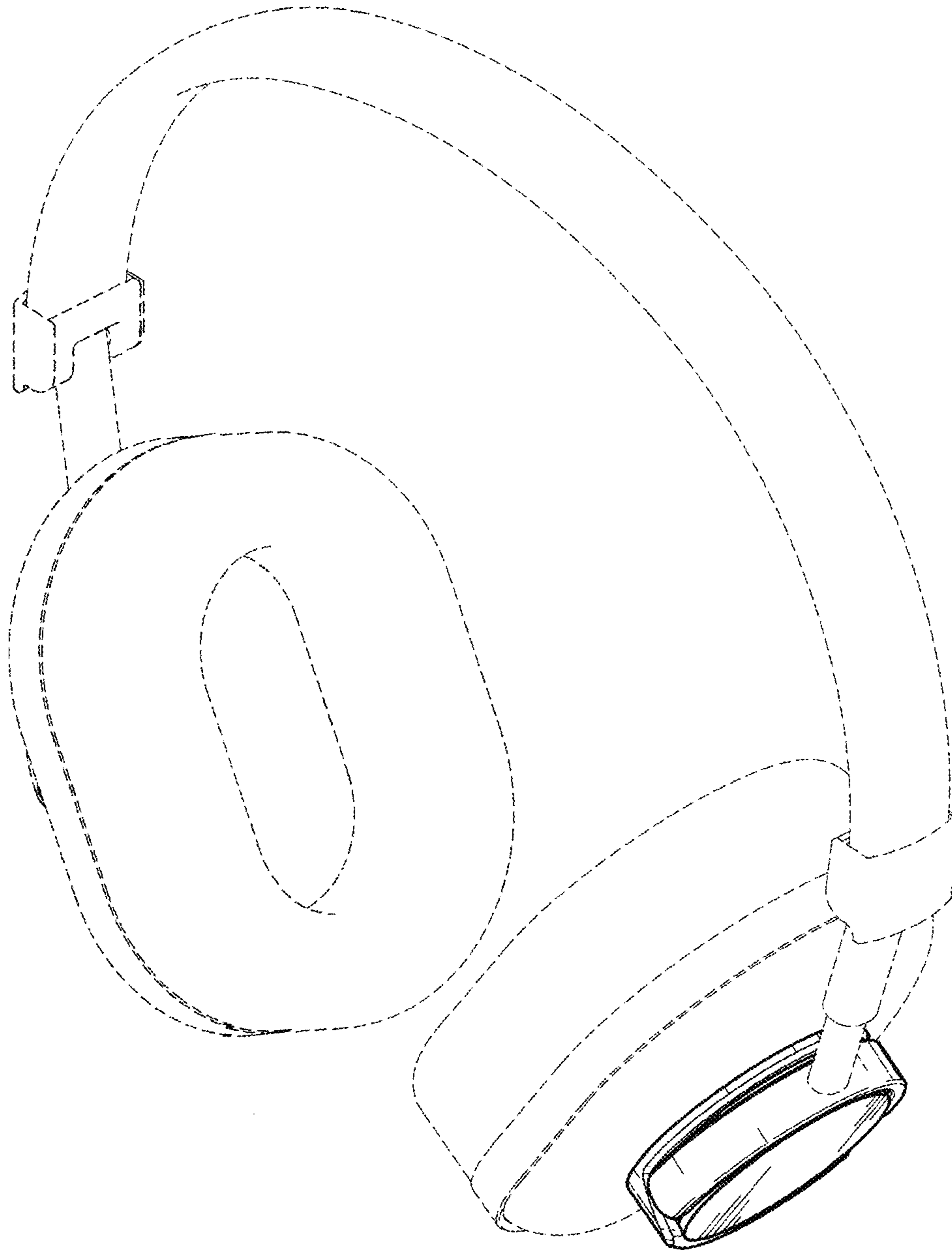


Fig. 1

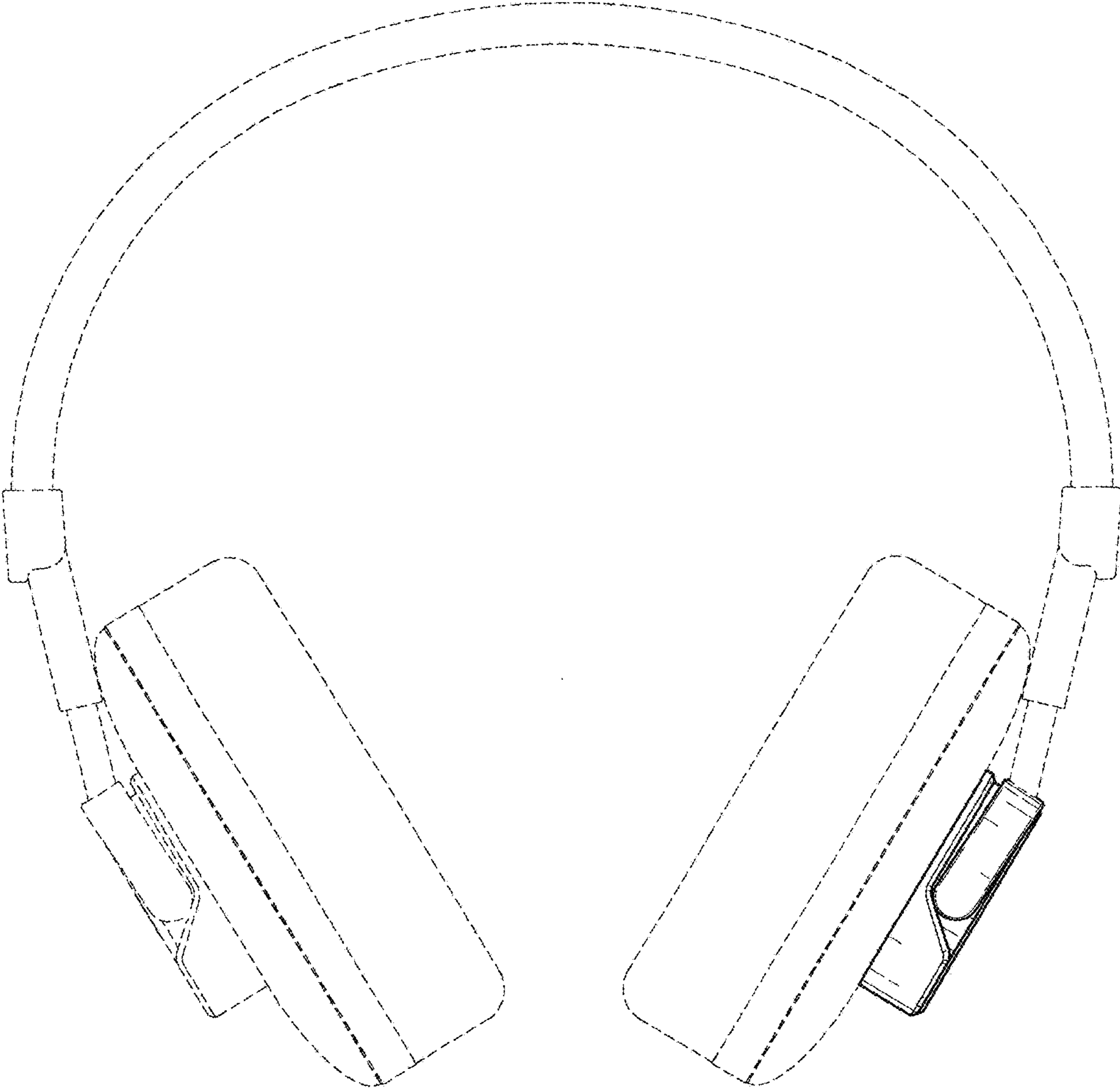


Fig. 2

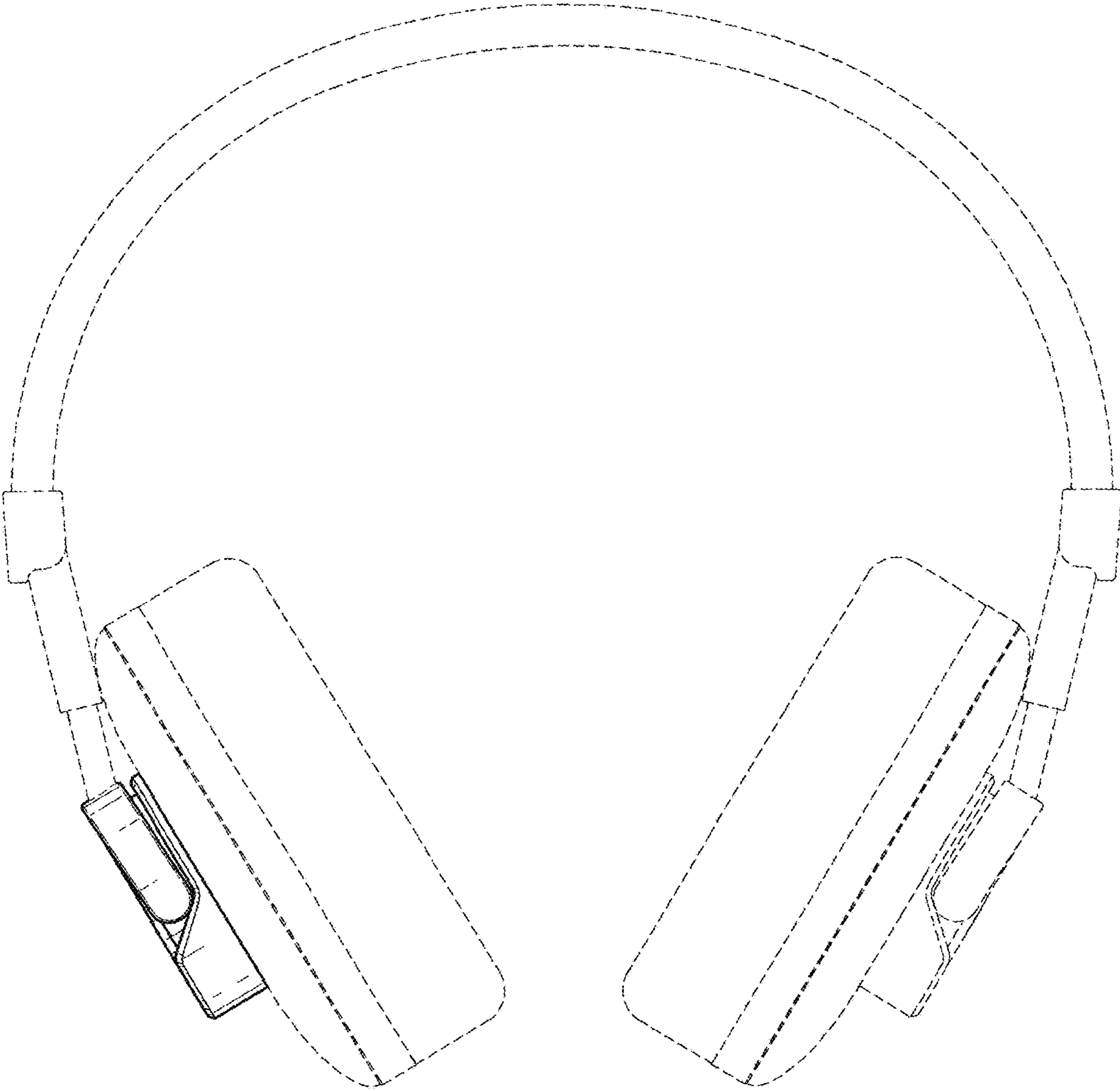


Fig. 3

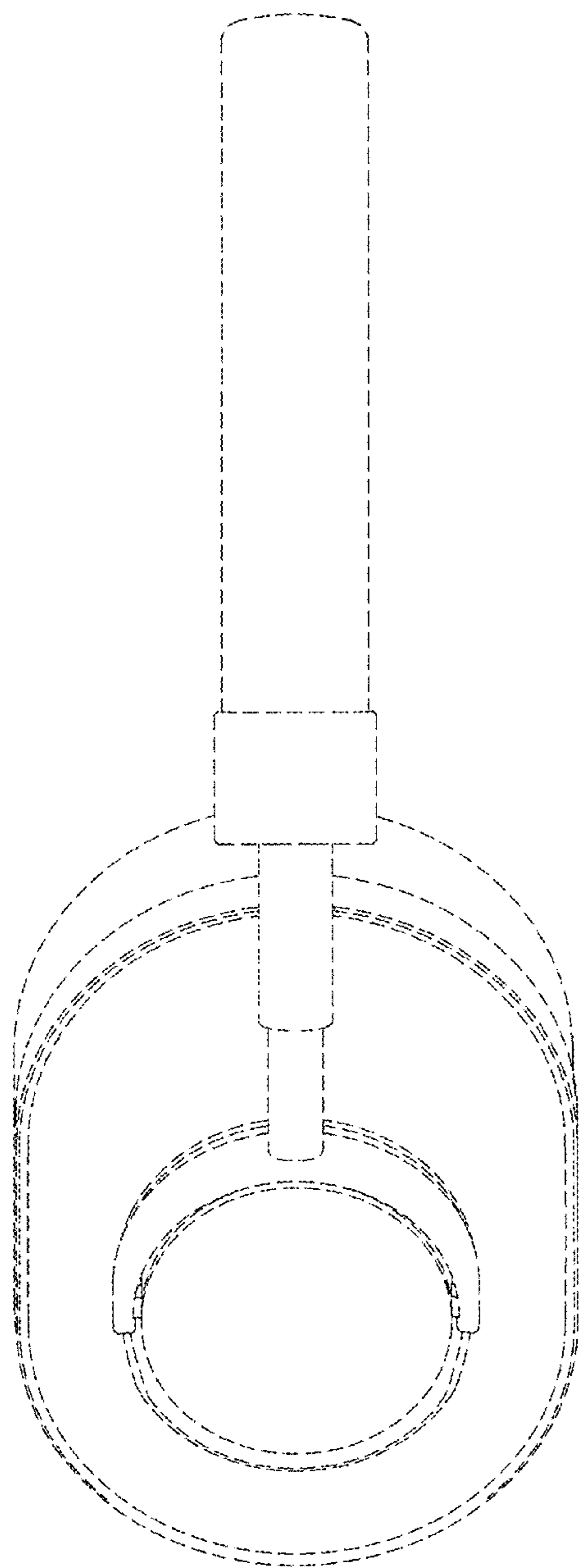


Fig. 4

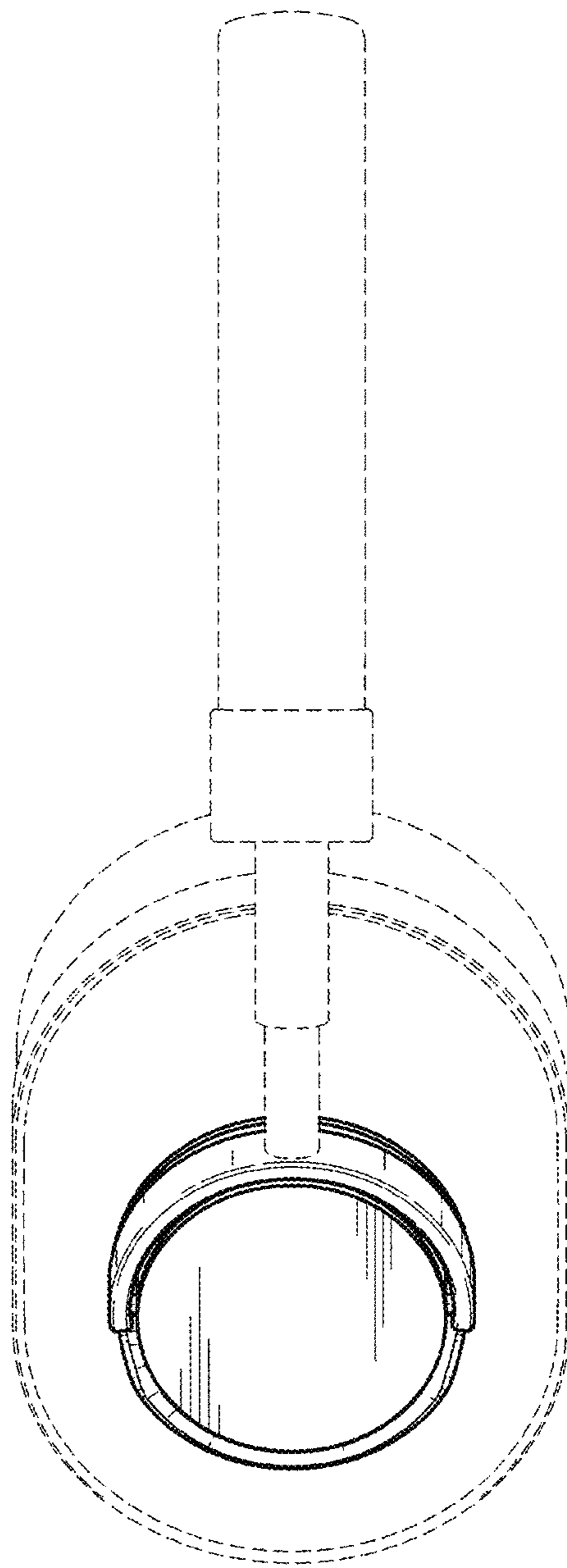


Fig. 5

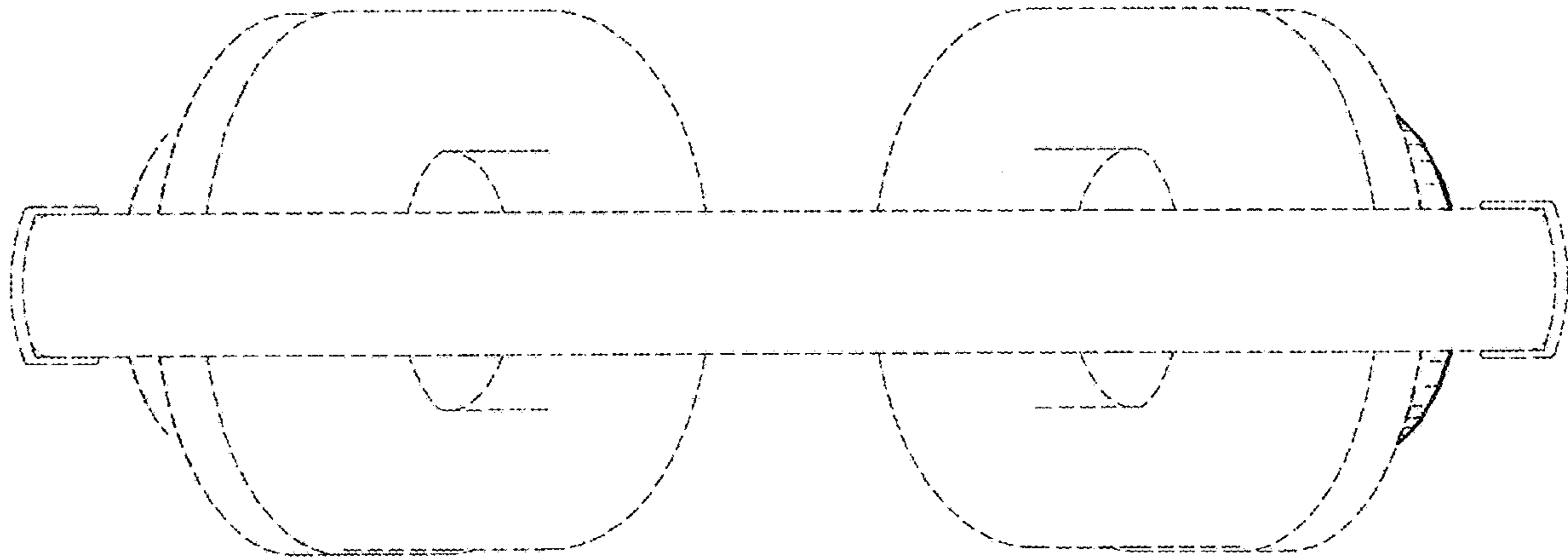


Fig. 6

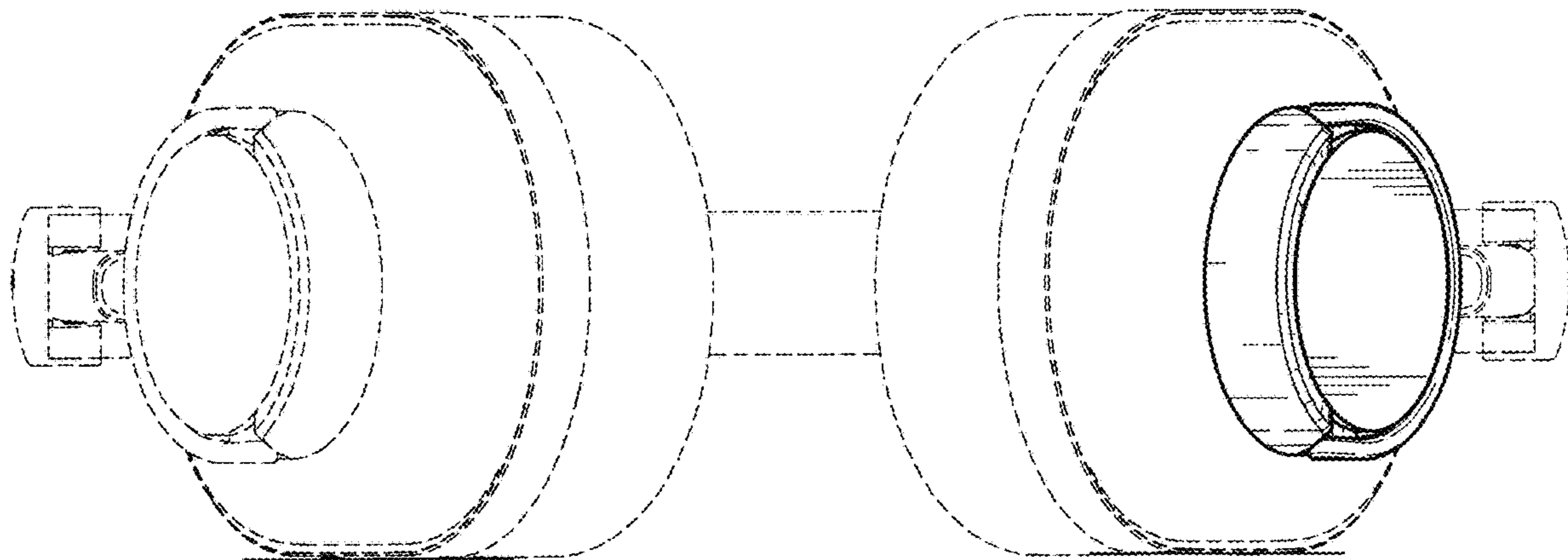


Fig. 7