



US00D893449S

(12) **United States Design Patent**
Tsubone et al.

(10) **Patent No.:** **US D893,449 S**

(45) **Date of Patent:** **** Aug. 18, 2020**

(54) **HEADPHONE**

(71) Applicant: **Audio-Technica Corporation**, Tokyo (JP)

(72) Inventors: **Kodai Tsubone**, Tokyo (JP); **Takaya Nagamine**, Tokyo (JP); **Shohei Araki**, Kanagawa (JP)

(73) Assignee: **Audio-Technica Corporation**, Tokyo (JP)

(**) Term: **15 Years**

(21) Appl. No.: **29/642,800**

(22) Filed: **Apr. 2, 2018**

(30) **Foreign Application Priority Data**

Oct. 3, 2017 (JP) 2017-021947

(51) **LOC (12) Cl.** **14-01**

(52) **U.S. Cl.**
USPC **D14/205**

(58) **Field of Classification Search**

USPC D14/205, 223, 188, 192; D29/112;
2/209; 181/129, 130, 135; 379/430, 431;
381/380, 381, 374; 455/90.3, 575.1,
455/569.1

CPC H04R 1/1066; H04R 1/1016; H04R 5/033;
H04R 5/0335; H04R 25/00; H04R 25/02

See application file for complete search history.

(56) **References Cited**

U.S. PATENT DOCUMENTS

D215,375 S * 9/1969 Daggert D10/118
D229,833 S * 1/1974 Becker D14/205
D255,352 S * 6/1980 Besasie D14/205
D300,528 S * 4/1989 Drane D13/171
D328,074 S * 7/1992 Yamazaki D14/205
D374,658 S * 10/1996 Bever D13/171
D377,021 S * 12/1996 Isono D14/205

D402,318 S * 12/1998 Dunipace D21/443
D464,630 S * 10/2002 Woodworth D13/171
D481,375 S * 10/2003 Suzuki D14/206
D484,485 S * 12/2003 Matsuoka D14/205
D504,414 S * 4/2005 Yoshida D14/192

(Continued)

FOREIGN PATENT DOCUMENTS

JP D1602513 * 3/2018

Primary Examiner — Paula Allen Greene

(74) *Attorney, Agent, or Firm* — W&C IP

(57) **CLAIM**

The ornamental design for a headphone, as shown and described.

DESCRIPTION

FIG. 1 is a perspective view of a headphone showing the new design;

FIG. 2 is a front elevational view of the headphone;

FIG. 3 is a rear elevational view of the headphone;

FIG. 4 is a top plan view of the headphone;

FIG. 5 is a bottom plan view of the headphone;

FIG. 6 is a left side elevational view of the headphone;

FIG. 7 is a right side elevational view of the headphone;

FIG. 8 is an enlarged partial sectional view of the headphone taken in the direction of line 8-8 of FIG. 2;

FIG. 9 is an enlarged partial sectional view of the headphone taken along the vertical line 9-9 of FIG. 2;

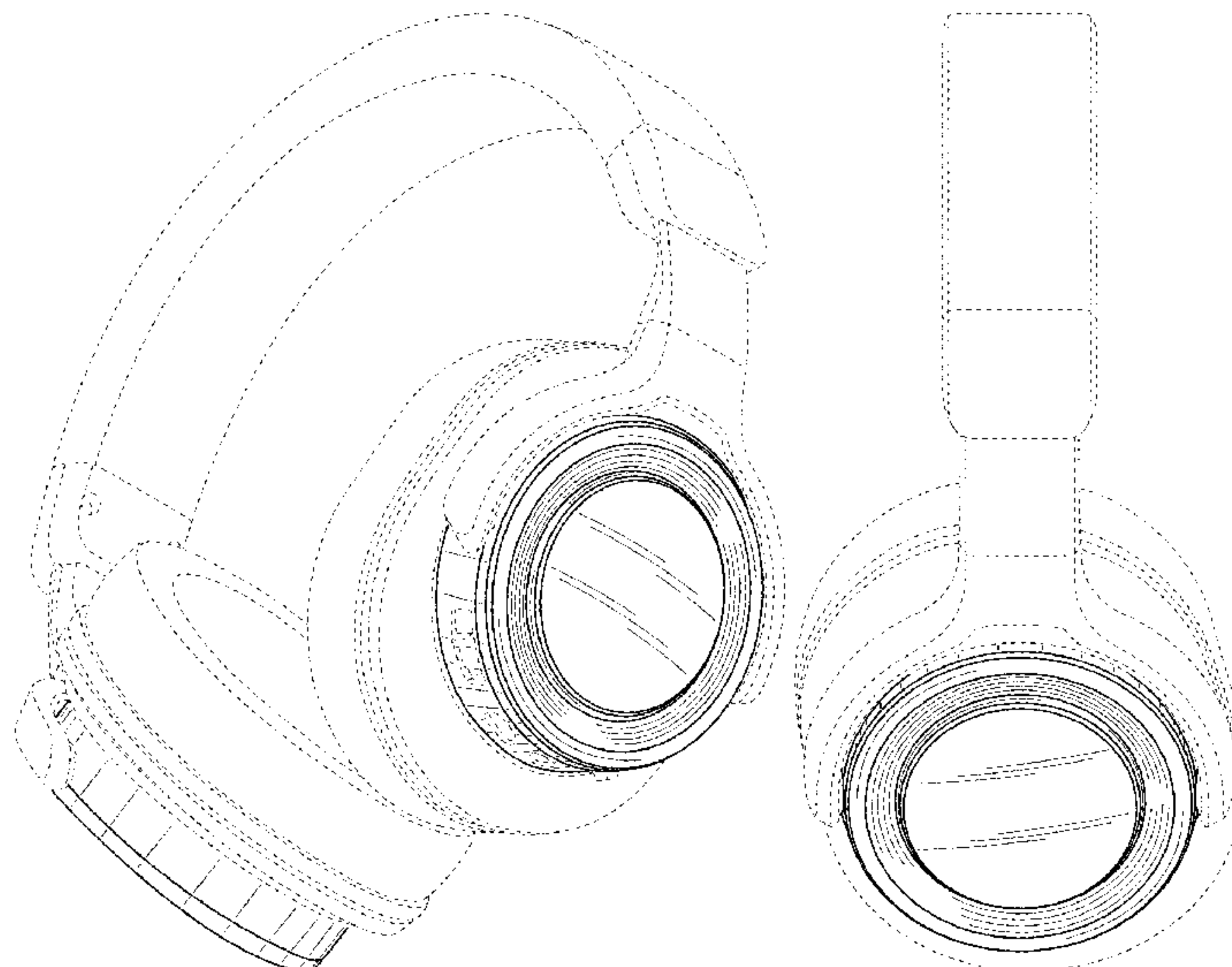
FIG. 10 is an enlarged partial sectional view of the headphone taken along the vertical line 10-10 of FIG. 9;

FIG. 11 is an enlarged partial sectional view of the headphone taken along the vertical line 11-11 of FIG. 9; and,

FIG. 12 is a top plan view.

Portions of the drawings shown in broken lines form no part of the claimed design. Shade lines are used to show surface contours only and are not representative of specific materials or material properties.

1 Claim, 12 Drawing Sheets



(56)

References Cited

U.S. PATENT DOCUMENTS

D512,417 S * 12/2005 Hirakawa D14/223
 D517,526 S * 3/2006 Komiyama D14/205
 D532,407 S * 11/2006 Motoishi D14/205
 D549,688 S * 8/2007 Suzuki D14/205
 D588,098 S * 3/2009 Kurihara D14/205
 D592,182 S * 5/2009 Sanguinetti D14/205
 D592,640 S * 5/2009 Tkachuk D14/205
 D600,674 S * 9/2009 Brennwald D14/205
 D632,668 S * 2/2011 Brunner D14/205
 D637,176 S * 5/2011 Brunner D14/205
 D643,833 S * 8/2011 Lee D14/223
 D652,406 S * 1/2012 Lee D14/205
 D657,345 S * 4/2012 Brunner H04R 1/1008
 D657,776 S * 4/2012 Lee D14/205
 D660,824 S * 5/2012 Hardi D14/205
 D671,914 S * 12/2012 Lee D14/205
 D673,520 S * 1/2013 Tan D14/205
 D677,647 S * 3/2013 Lee D14/205
 D689,843 S * 9/2013 Lee D14/205
 D691,579 S * 10/2013 Lee D14/205
 D691,984 S * 10/2013 Wang D14/205

D696,226 S * 12/2013 Brunner H04R 1/1008
 D696,643 S * 12/2013 Lee D14/205
 D710,822 S * 8/2014 Gan H04R 1/1066
 D711,348 S * 8/2014 Yang D14/205
 D715,255 S * 10/2014 Nunez D14/205
 D716,760 S * 11/2014 Brunner D14/206
 D722,302 S * 2/2015 Lee D14/205
 D732,503 S * 6/2015 Brunner H04R 1/1008
 D734,296 S * 7/2015 Paterson D14/205
 D738,350 S * 9/2015 Brunner D14/205
 D745,859 S * 12/2015 Kiuchi D14/205
 D775,104 S * 12/2016 Lee D14/205
 D795,835 S * 8/2017 Nagamine D14/205
 D809,478 S * 2/2018 Arimoto D14/205
 D852,166 S * 6/2019 Levine D14/205
 D857,652 S * 8/2019 Wang D14/205
 D869,430 S * 12/2019 Rama D14/205
 D869,437 S * 12/2019 Hu D14/205
 2013/0077800 A1 * 3/2013 Pan H04R 1/2811
 381/74

* cited by examiner

FIG. 1

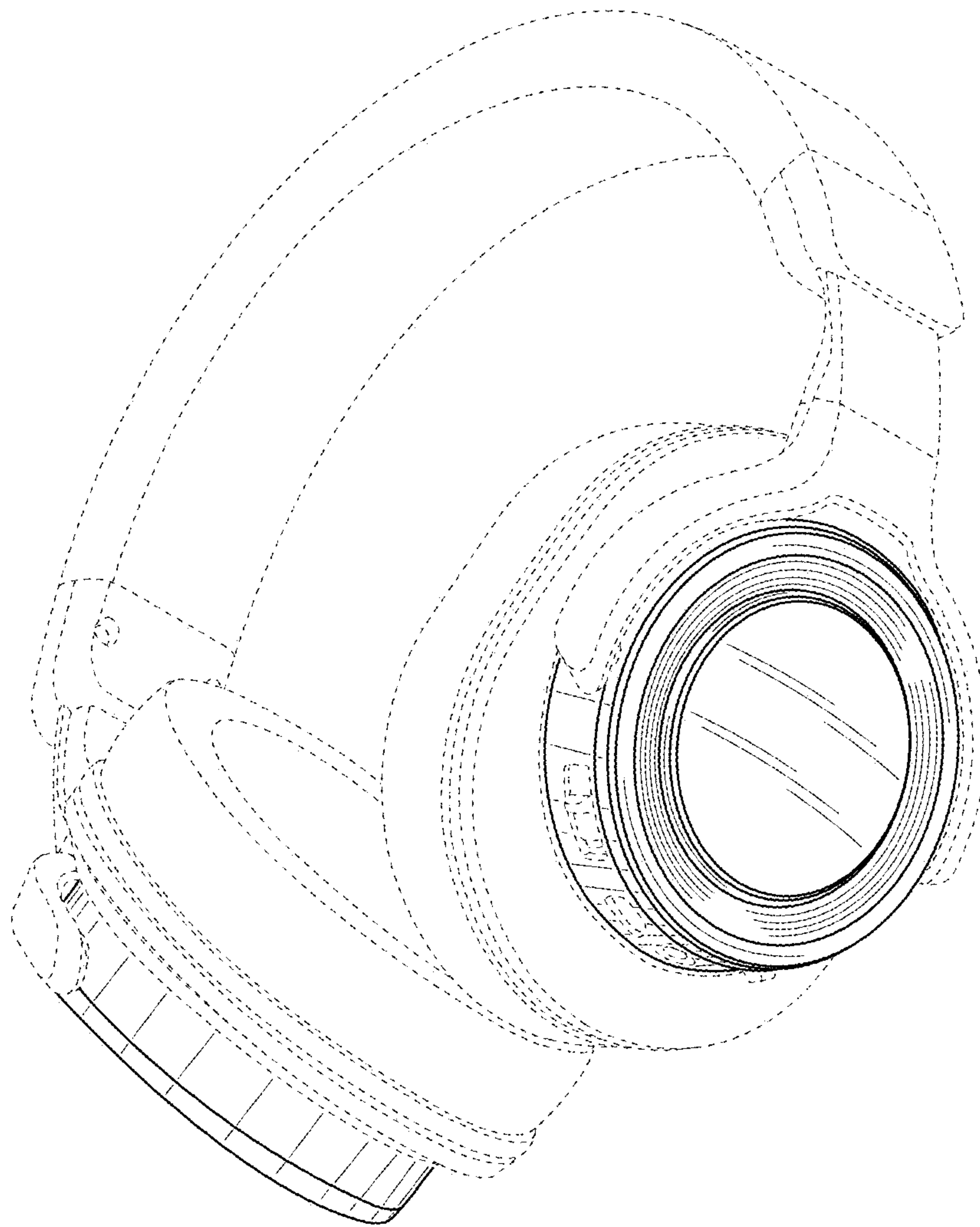


FIG. 2

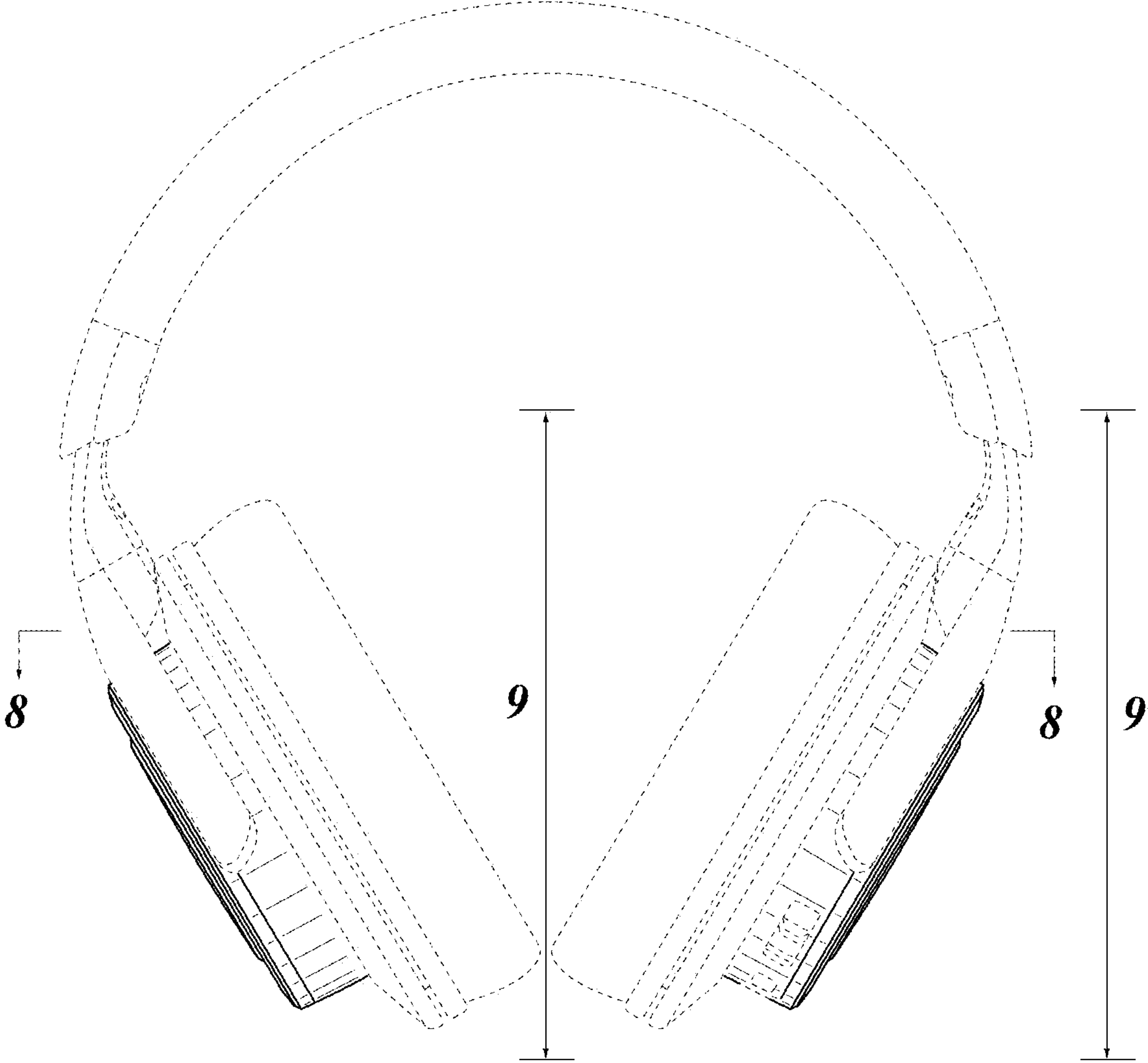


FIG. 3

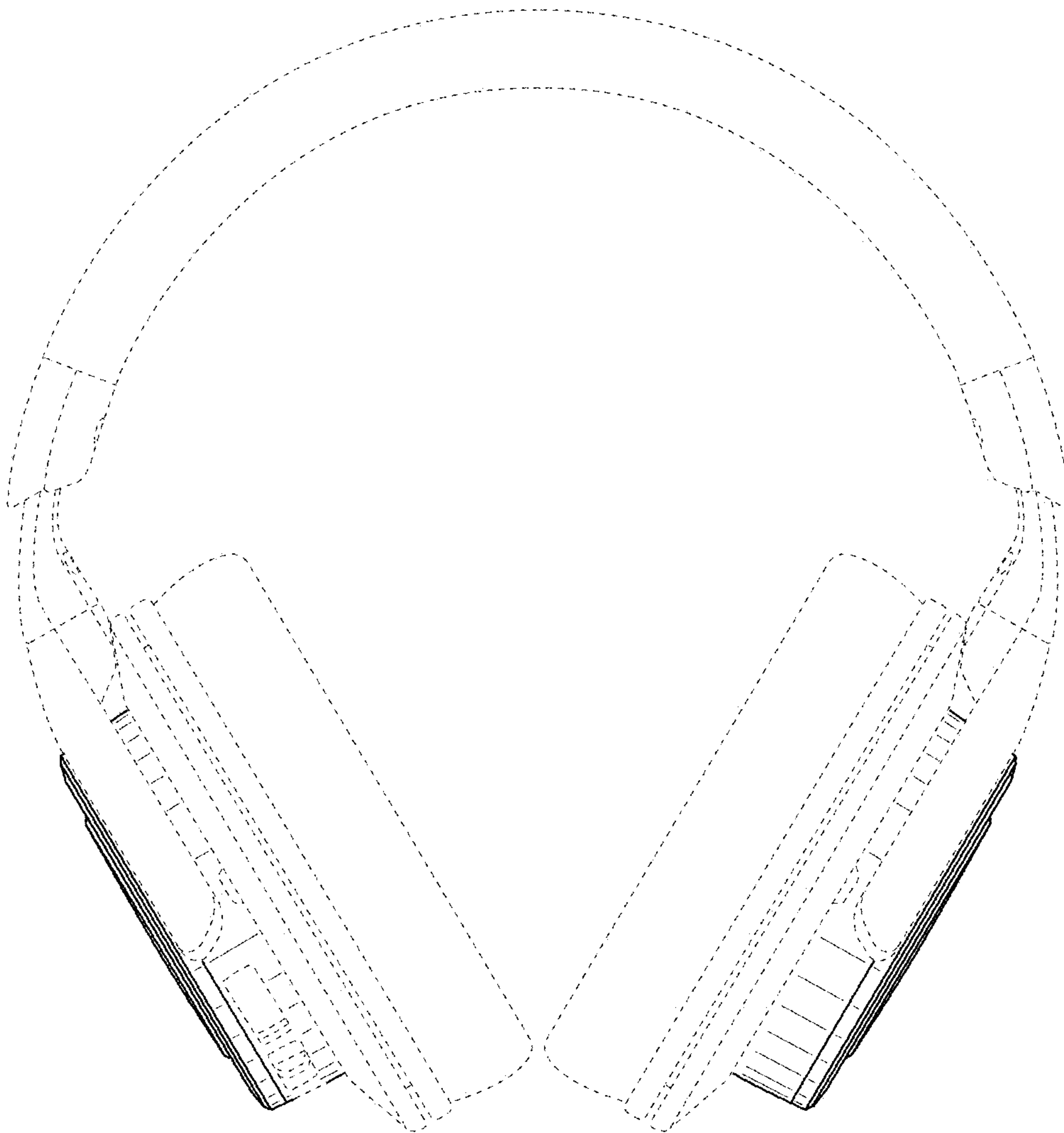


FIG. 4

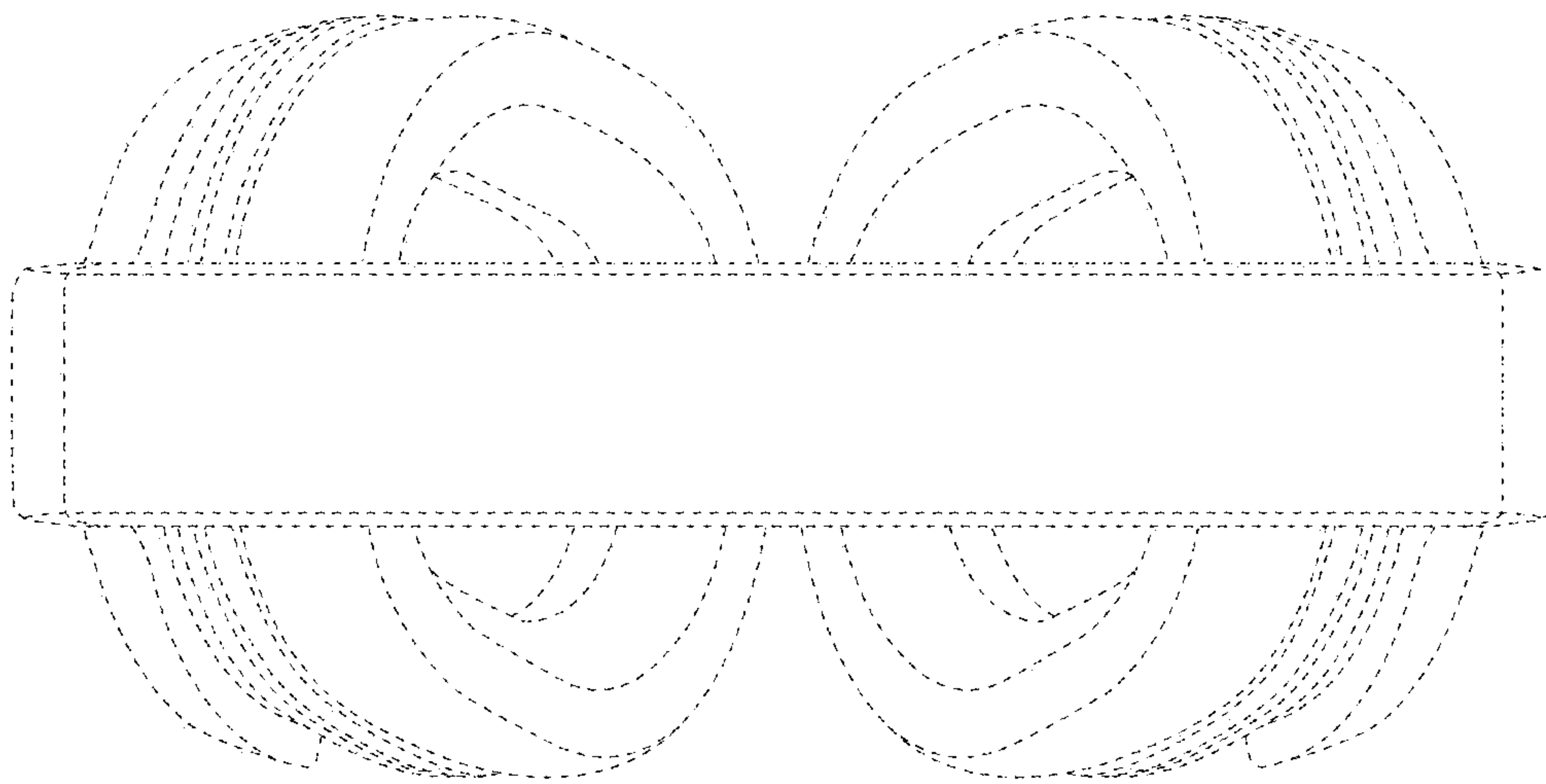


FIG. 5

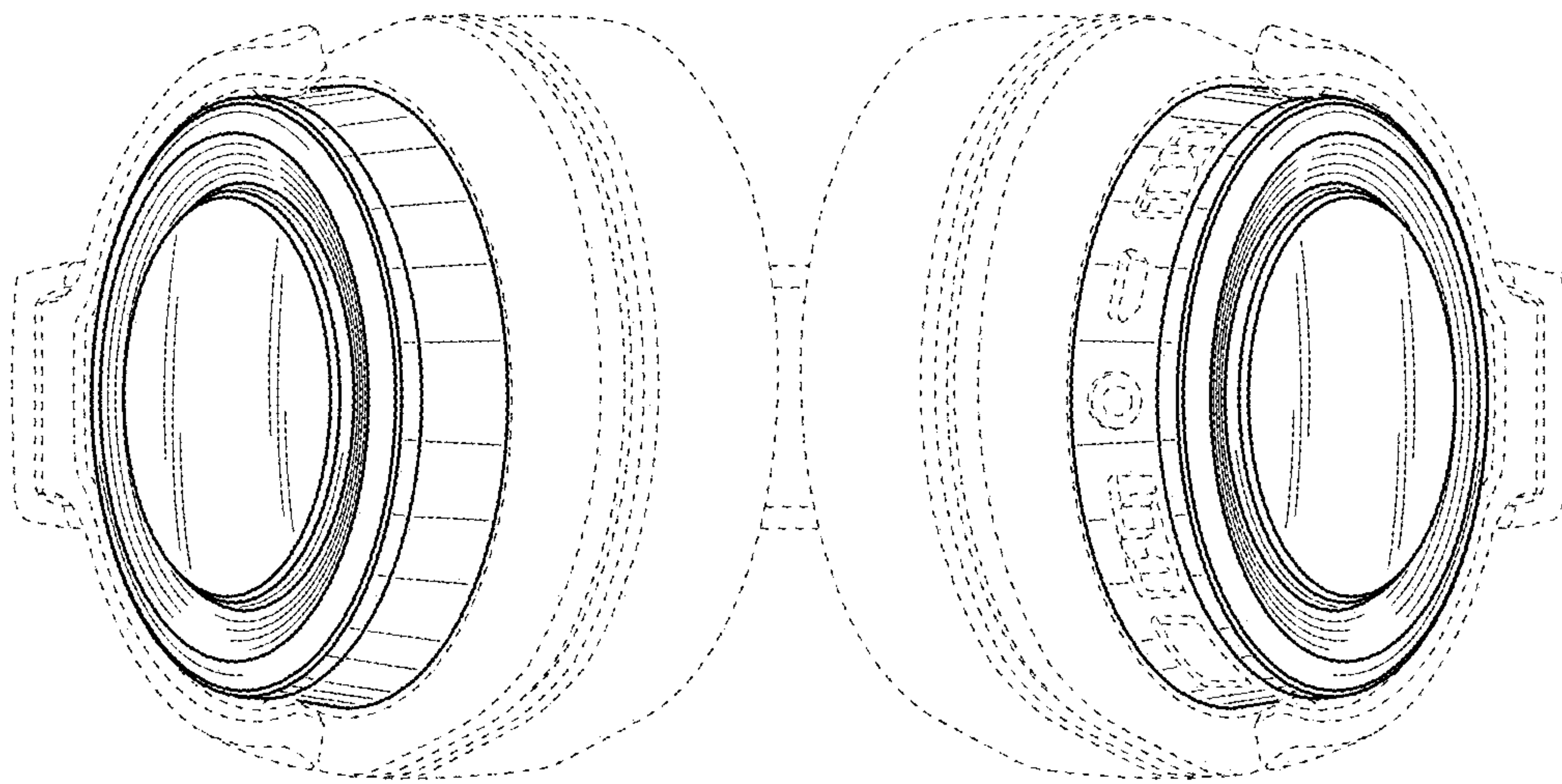


FIG. 6

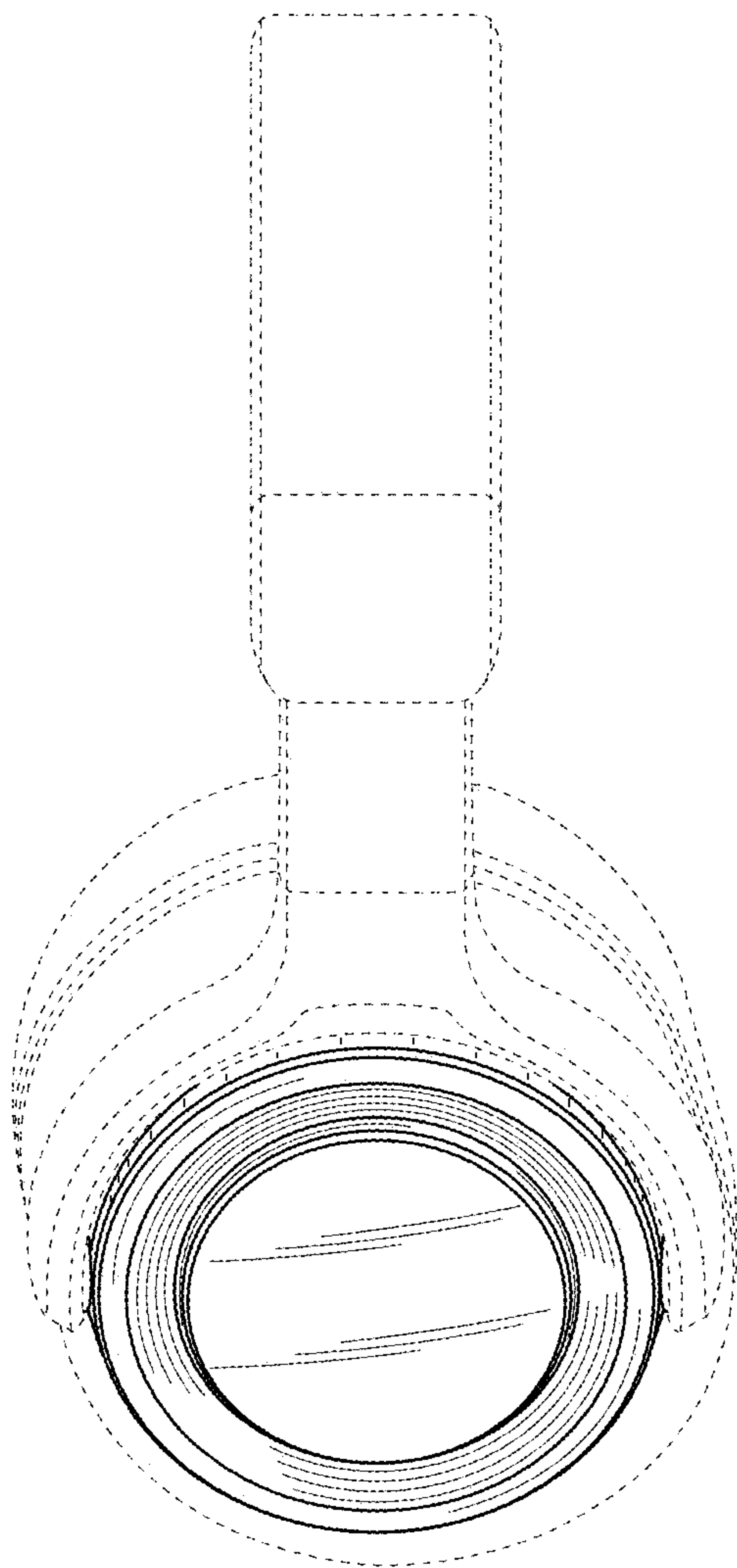


FIG. 7

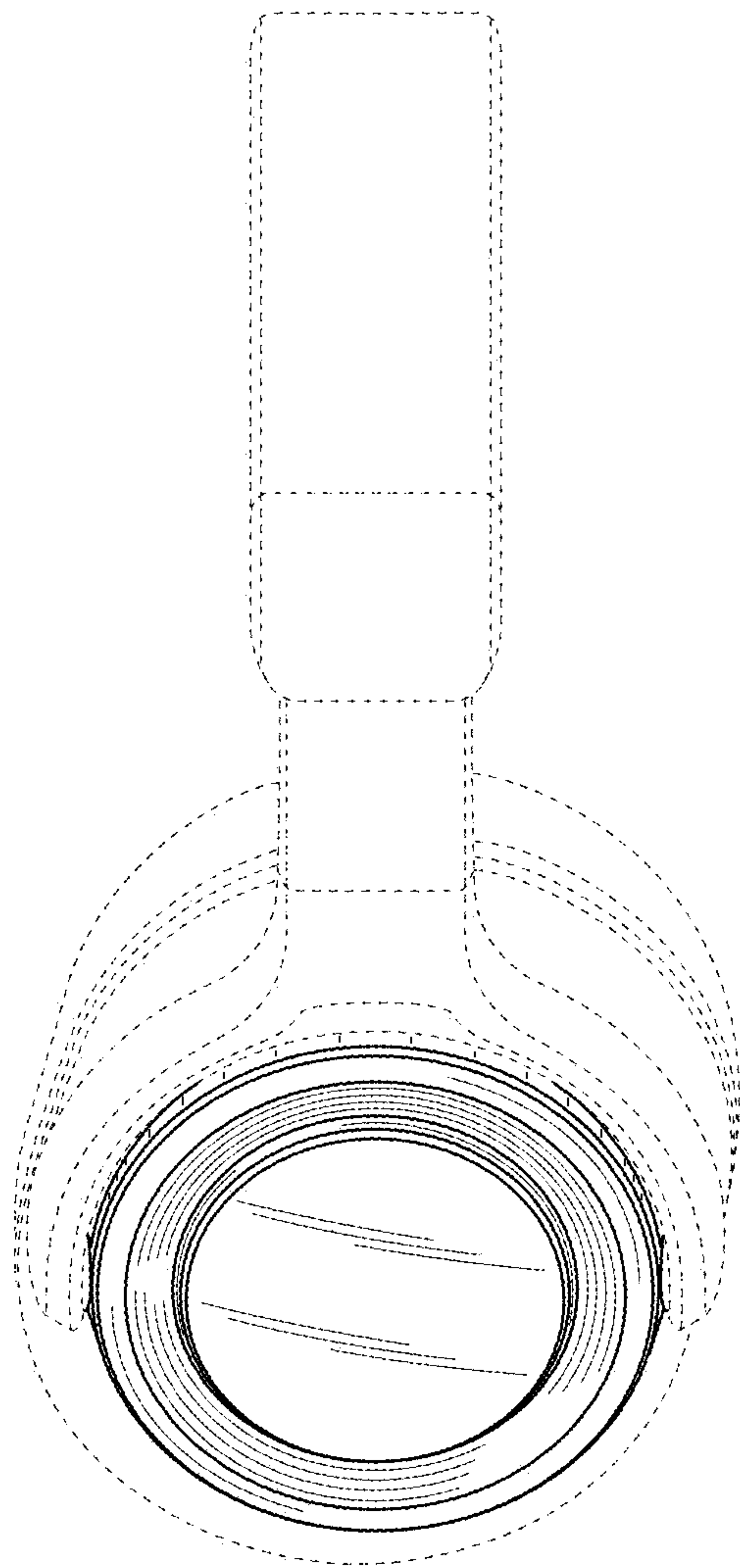


FIG. 8

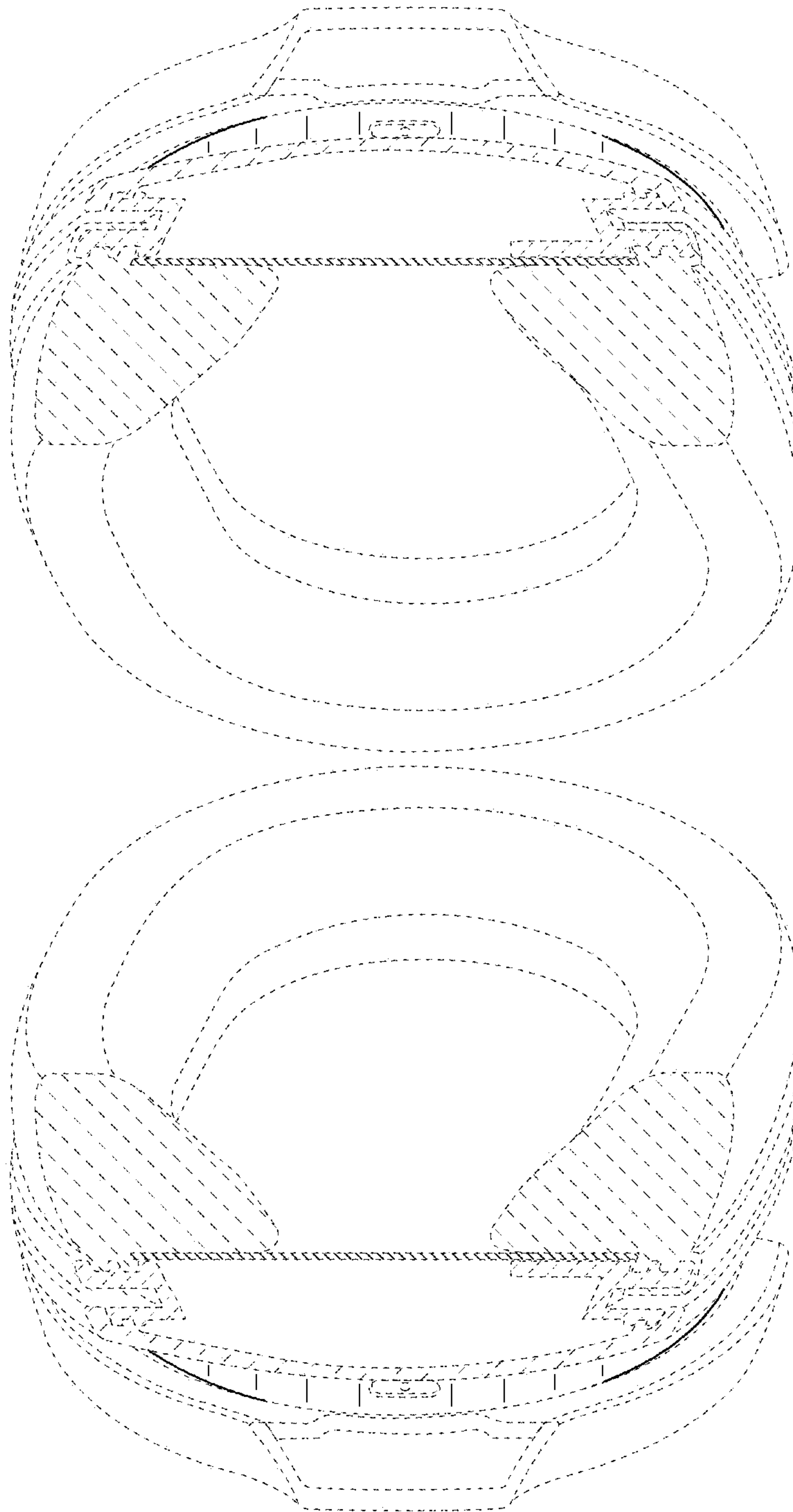


FIG. 9

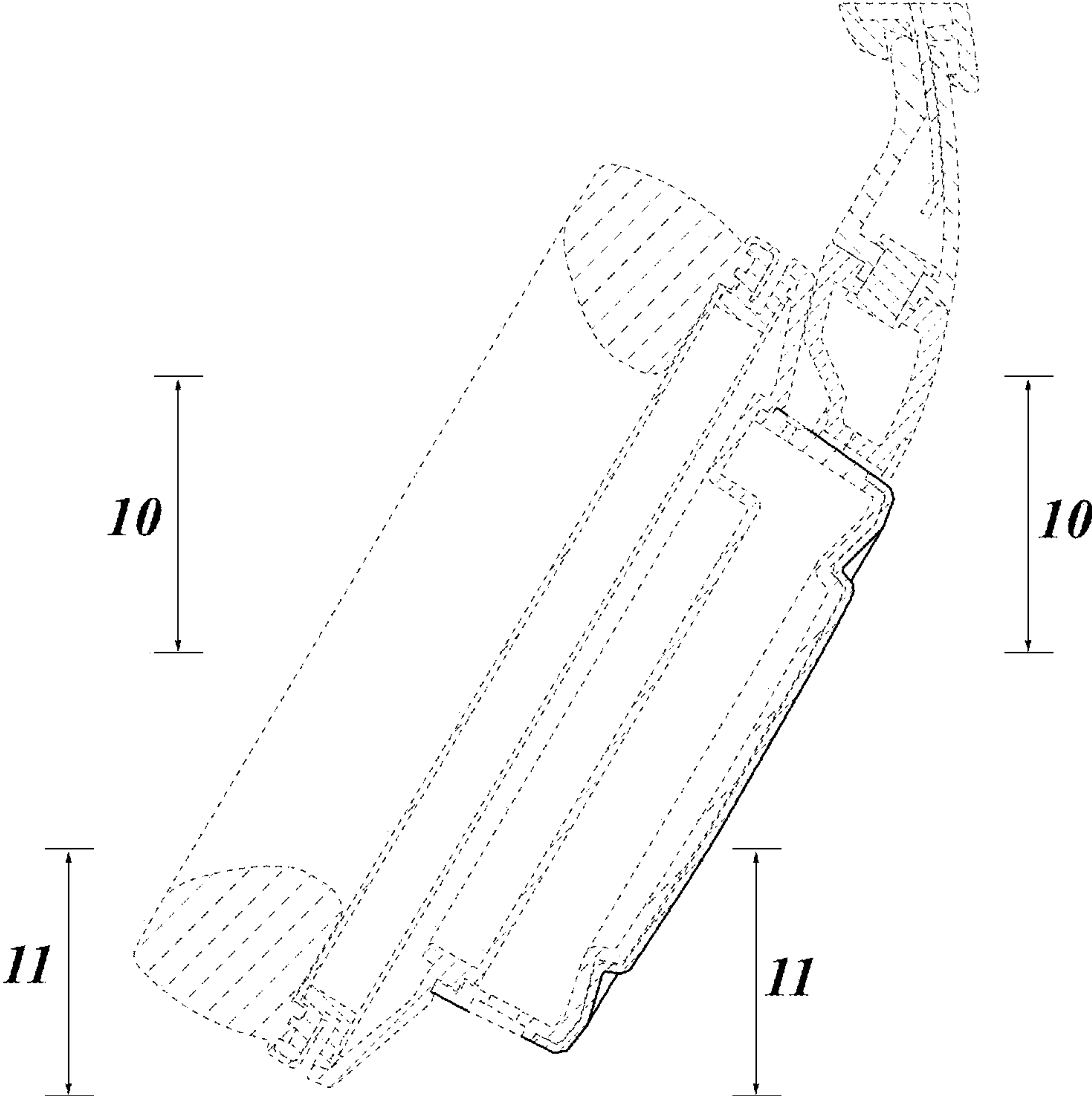


FIG. 10

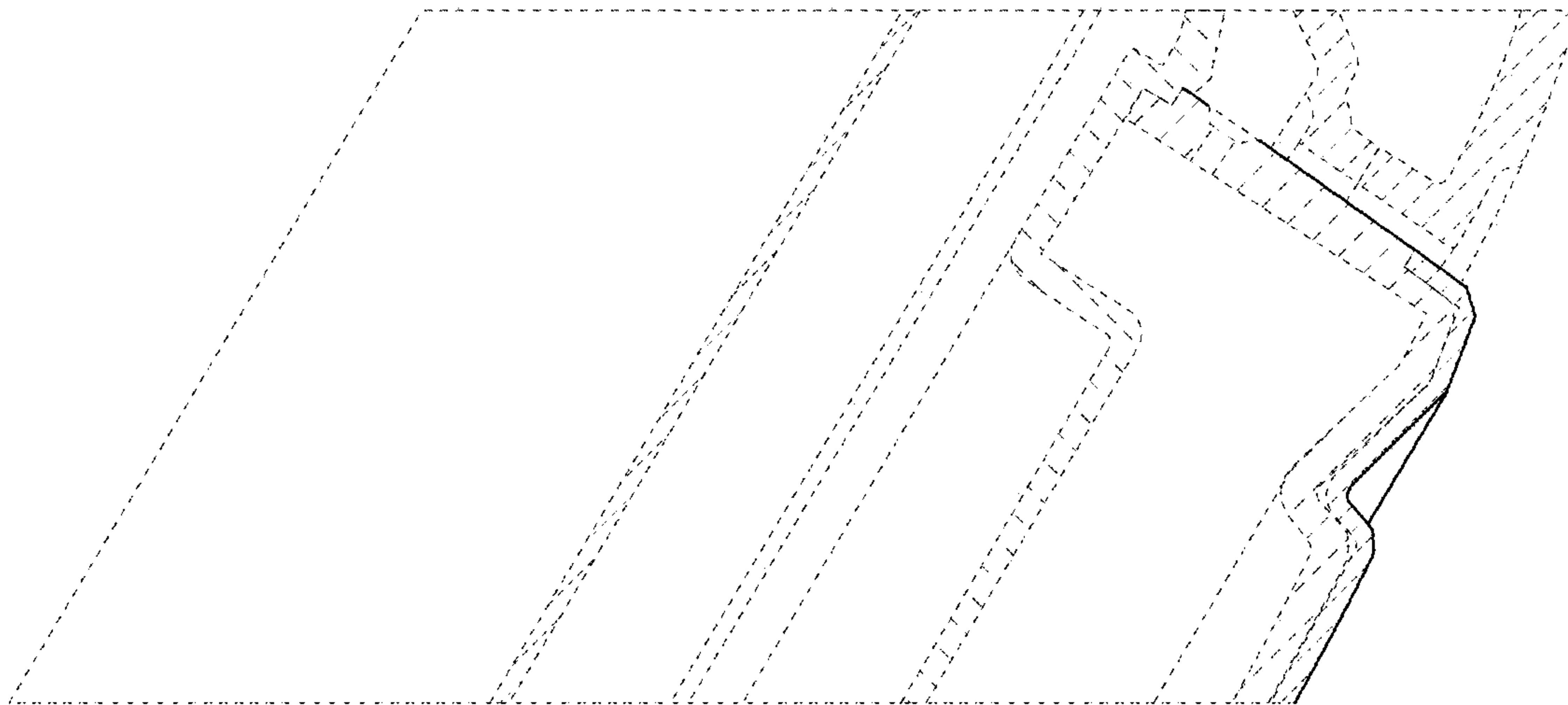


FIG. 11

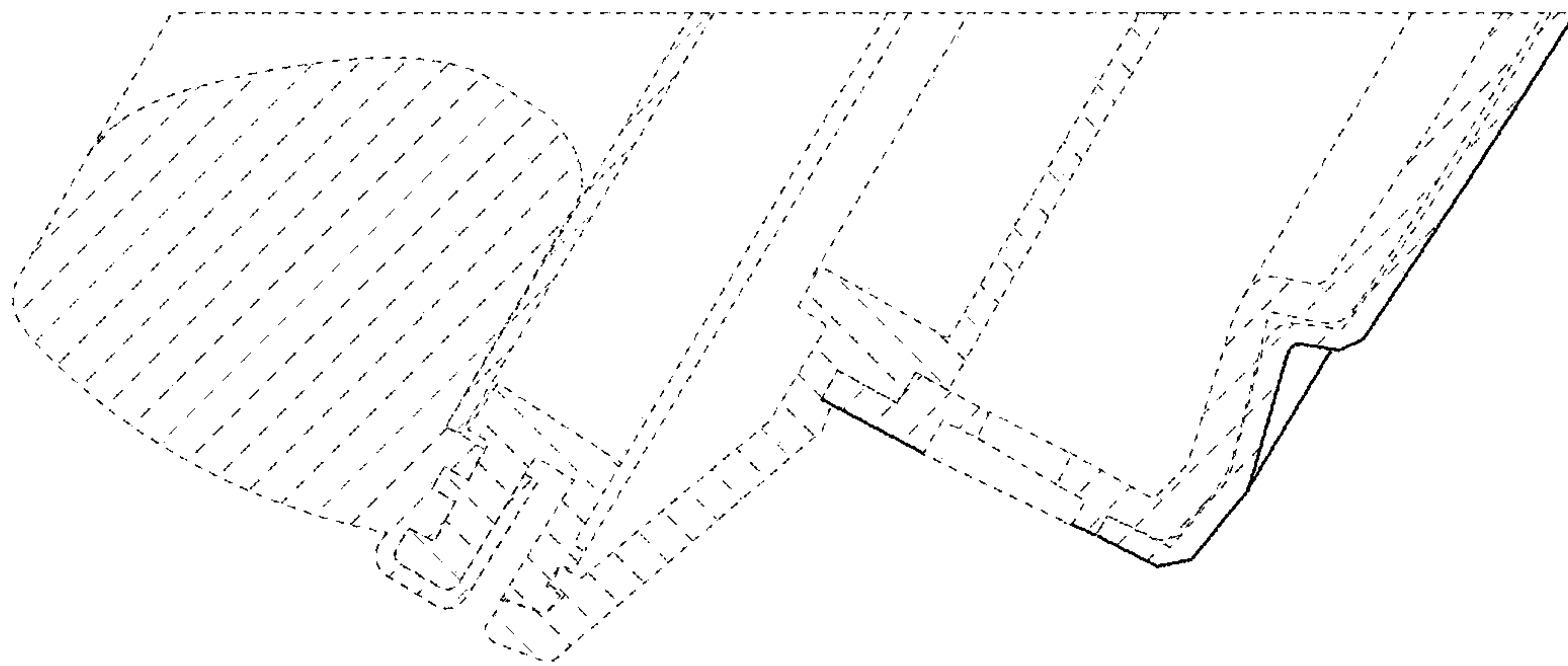


FIG. 12

